



US00D918033S

(12) **United States Design Patent**  
**Stewart et al.**

(10) **Patent No.:** **US D918,033 S**  
(45) **Date of Patent:** **\*\* May 4, 2021**

(54) **CONTAINER**

(71) Applicant: **Kraft Foods Group Brands LLC**,  
Chicago, IL (US)

(72) Inventors: **Margaret N. Stewart**, Chicago, IL  
(US); **Maxine J. Roman**, Chicago, IL  
(US); **Michael D. Putnam**, Chicago, IL  
(US)

(73) Assignee: **Kraft Foods Group Brands LLC**,  
Chicago, IL (US)

(\*\*) Term: **15 Years**

(21) Appl. No.: **29/683,499**

(22) Filed: **Mar. 13, 2019**

**Related U.S. Application Data**

(63) Continuation-in-part of application No. 29/665,306,  
filed on Oct. 2, 2018.

(51) **LOC (13) Cl.** ..... **09-03**

(52) **U.S. Cl.**  
USPC ..... **D9/425**

(58) **Field of Classification Search**  
USPC ..... D7/400, 601, 608; D9/416, 417, 420,  
D9/425-429, 430, 432, 761; 206/499,  
206/501, 502, 821; 220/625, 656, 669,  
220/670, 674; 229/123.1, 123.2, 125.33,  
229/125.35, 400-407, 915, 939  
CPC . B65D 1/26; B65D 1/40; B65D 5/243; B65D  
81/3453; B65D 2581/34; B65D  
2581/3404; B65D 2581/3456  
See application file for complete search history.

(56) **References Cited**

**U.S. PATENT DOCUMENTS**

D541,598 S \* 5/2007 Kim ..... D7/629  
D557,993 S \* 12/2007 Stamper ..... D7/629

D592,499 S \* 5/2009 Colacitti ..... D7/354  
D618,516 S \* 6/2010 DiPietro ..... D7/629  
D629,658 S \* 12/2010 Rusnak ..... D7/629  
D671,373 S \* 11/2012 Kimmel ..... D7/629  
D685,630 S \* 7/2013 Birchmeier ..... D9/425  
D703,493 S \* 4/2014 de Ste. Croix ..... D7/629  
D706,621 S \* 6/2014 Tuchrelo ..... D9/425  
D758,844 S \* 6/2016 Beckerman ..... D9/424  
D760,075 S \* 6/2016 Irimia ..... D9/435  
D764,277 S \* 8/2016 Irimia ..... D9/428  
D793,168 S \* 8/2017 Prozumenshchikov ..... D7/538

\* cited by examiner

*Primary Examiner* — Janice Patyk

(74) *Attorney, Agent, or Firm* — Fitch, Even, Tabin &  
Flannery LLP

(57) **CLAIM**

We claim the ornamental design for a container, as shown  
and described.

**DESCRIPTION**

FIG. 1 is a perspective view of a container, of embodiment  
one, showing our new design;  
FIG. 2 is a top plan view thereof;  
FIG. 3 is a front view thereof, the rear view being identical;  
FIG. 4 is a left side view thereof, the right side view being  
identical;  
FIG. 5 is a bottom view thereof;  
FIG. 6 is a perspective view of a container, of embodiment  
two, showing our new design;  
FIG. 7 is a top plan view thereof;  
FIG. 8 is a front view thereof, the rear view being identical;  
FIG. 9 is a left side view thereof, the right side view being  
identical; and,  
FIG. 10 is a bottom view thereof.

**1 Claim, 6 Drawing Sheets**

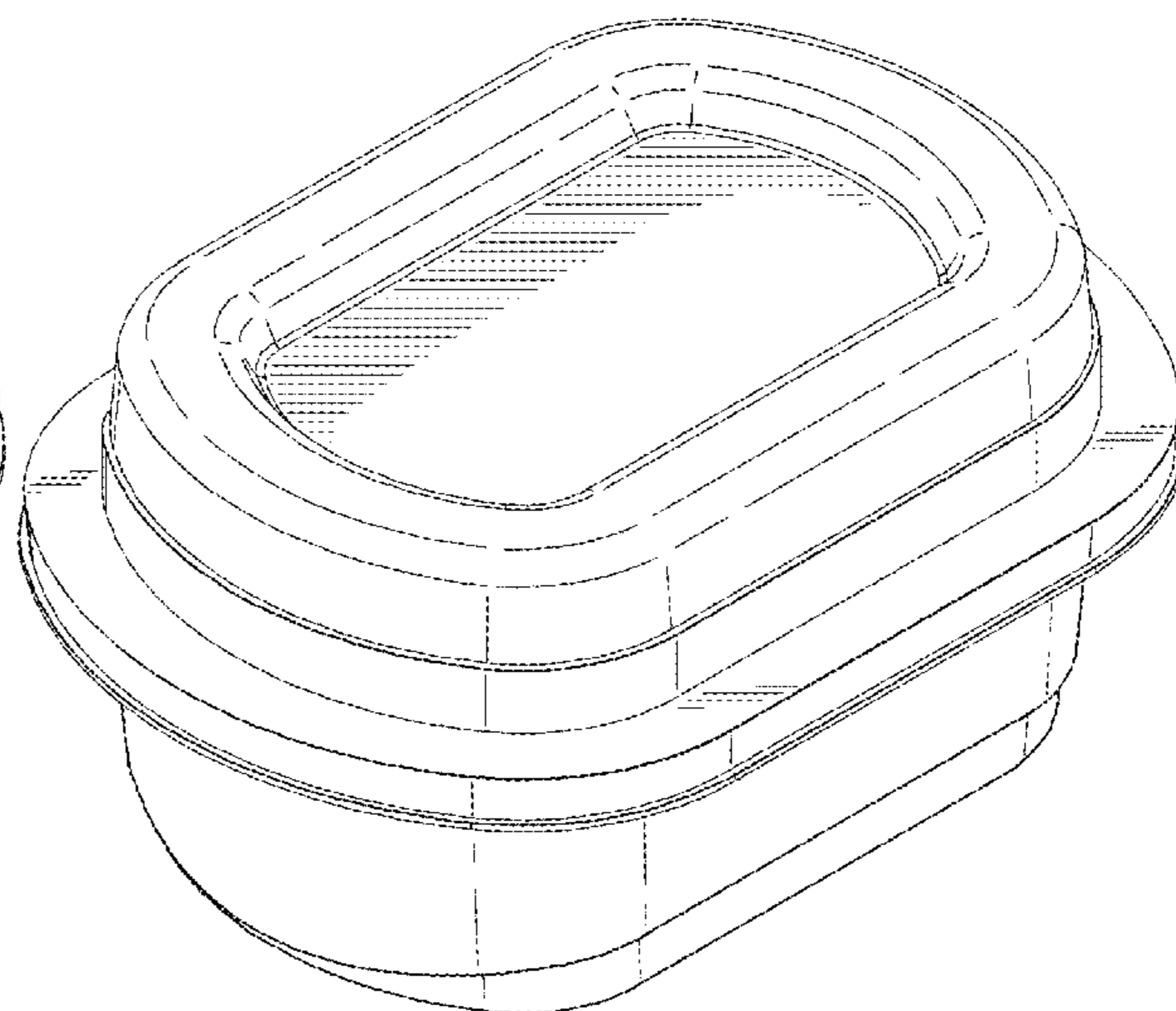
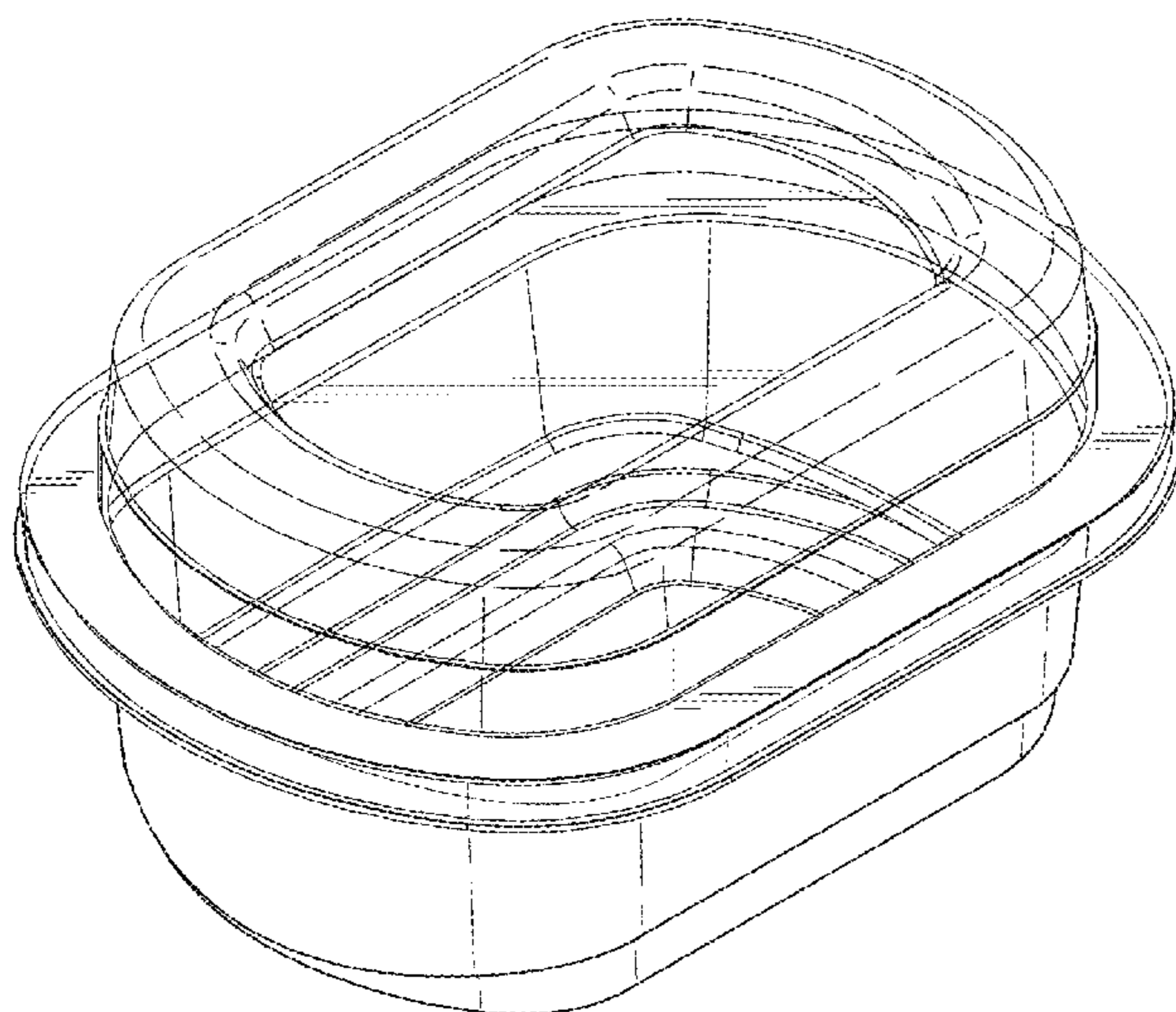


FIG. 1

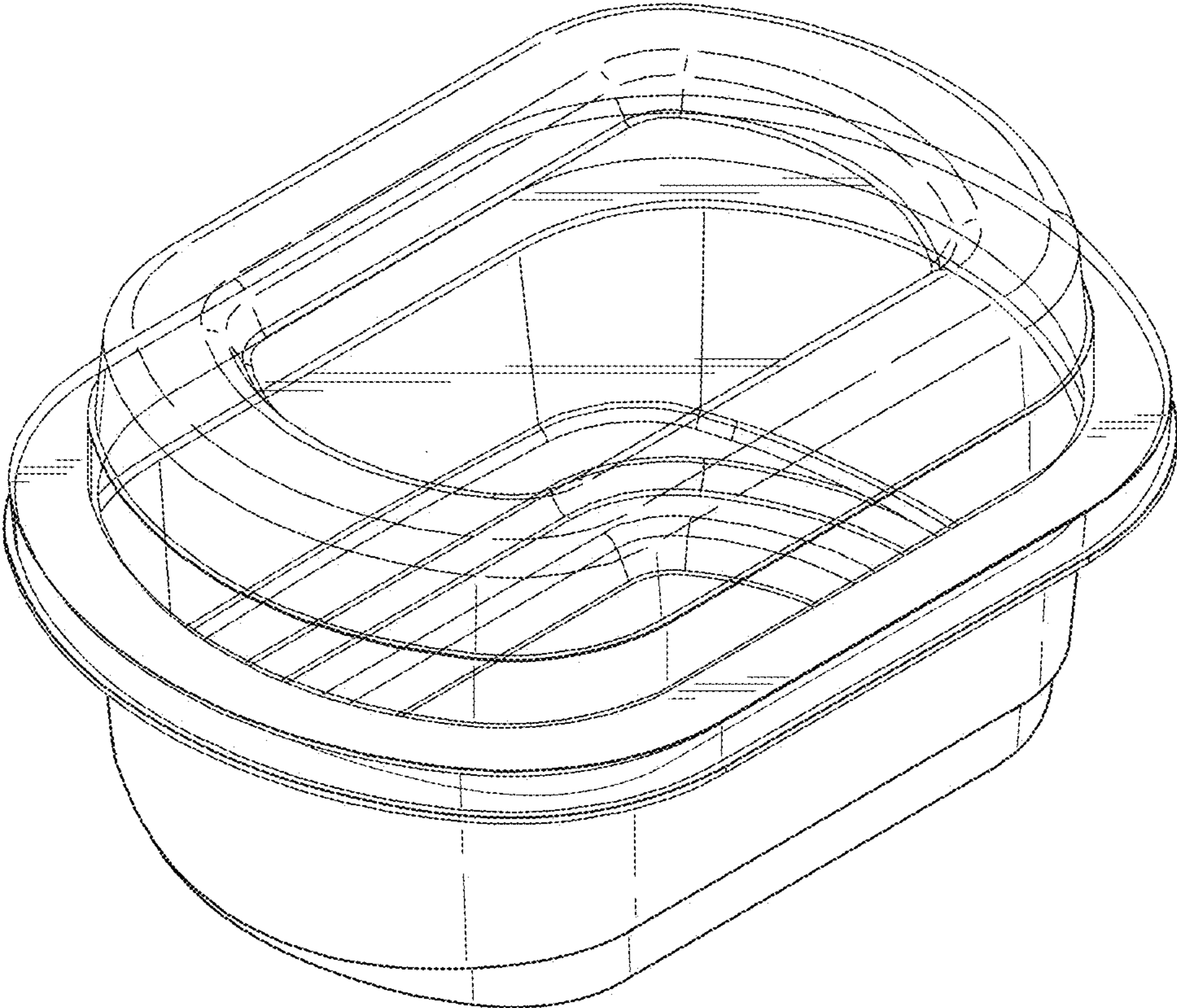


FIG. 2

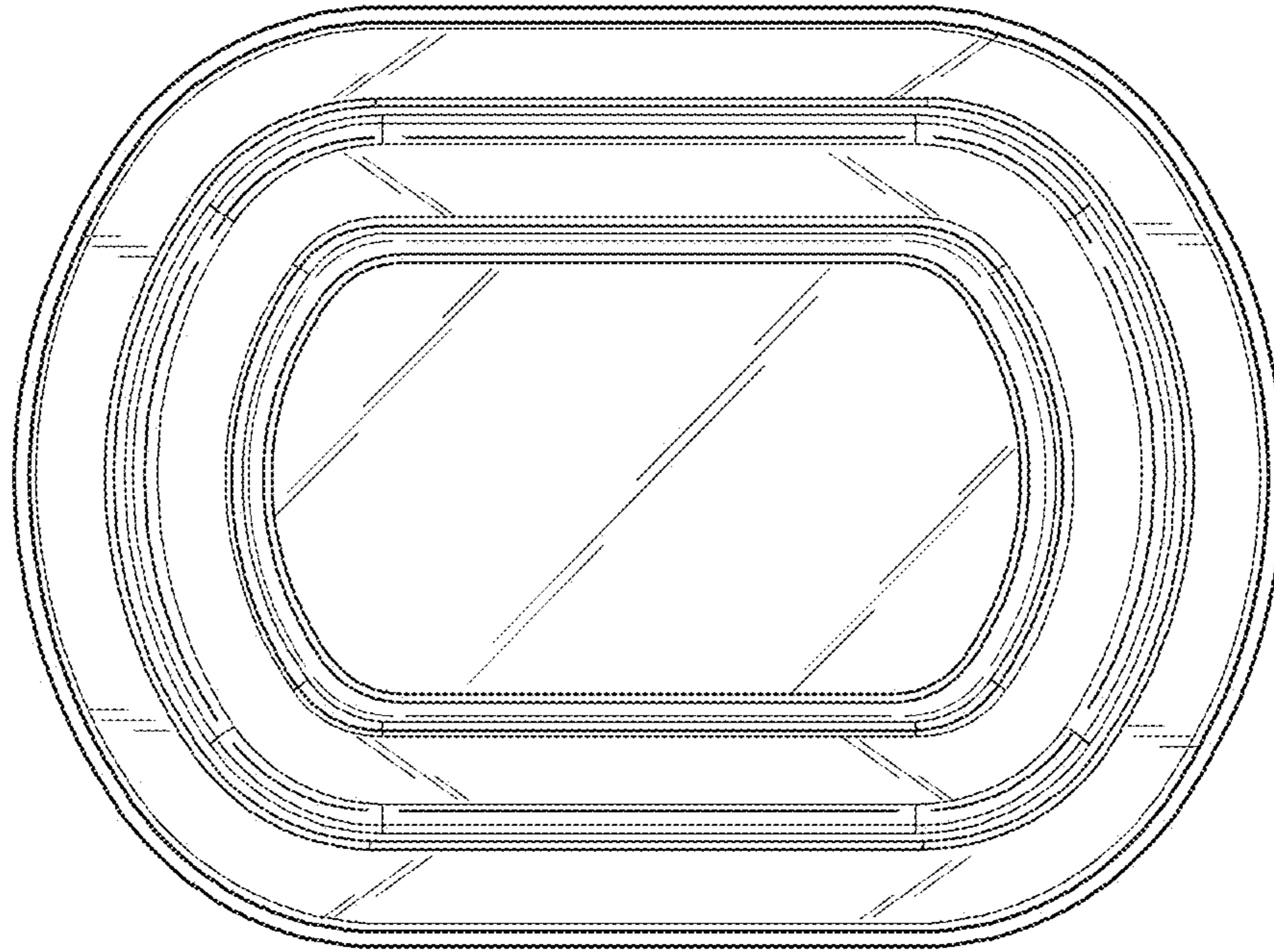


FIG. 3

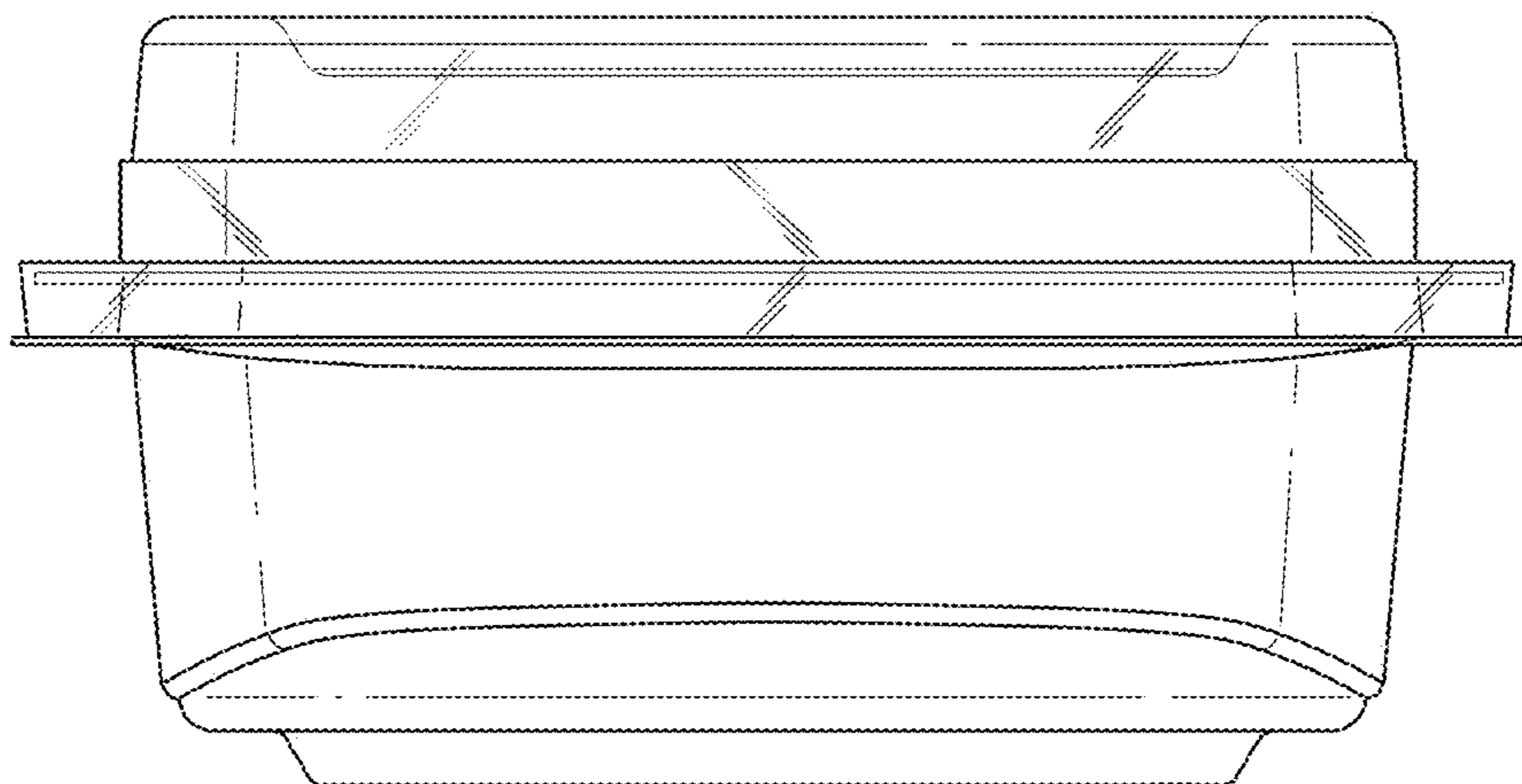


FIG. 4

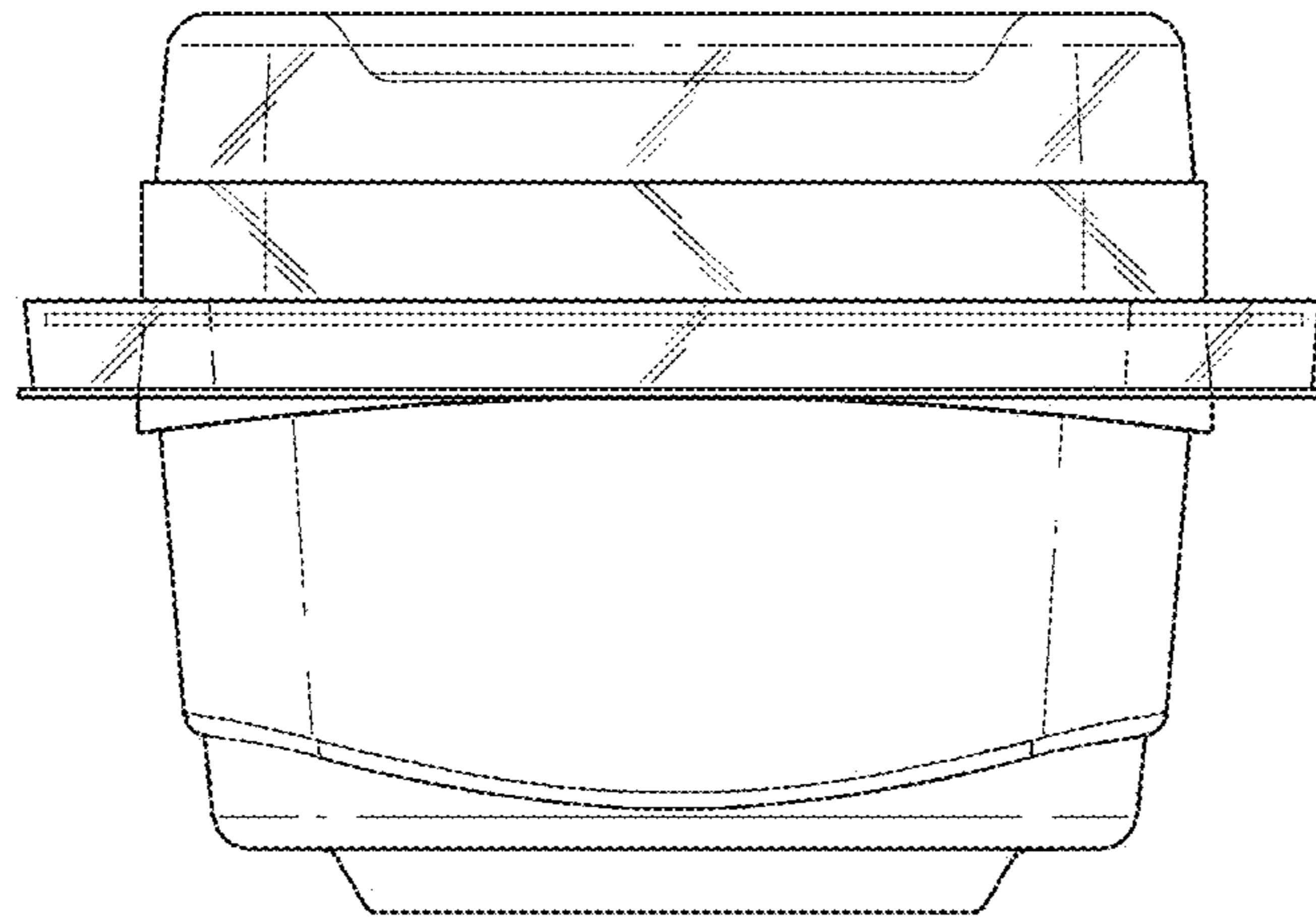


FIG. 5

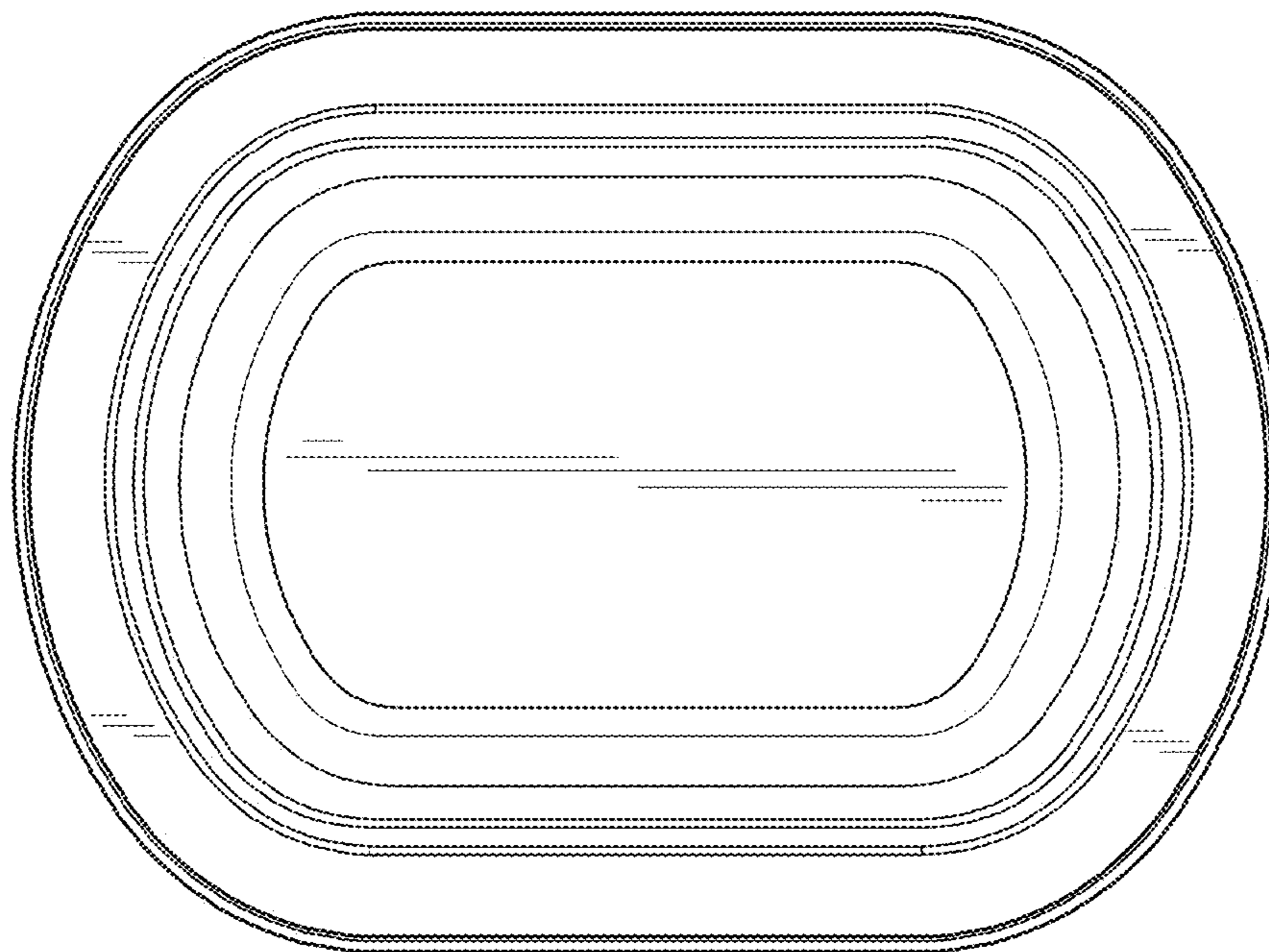


FIG. 6

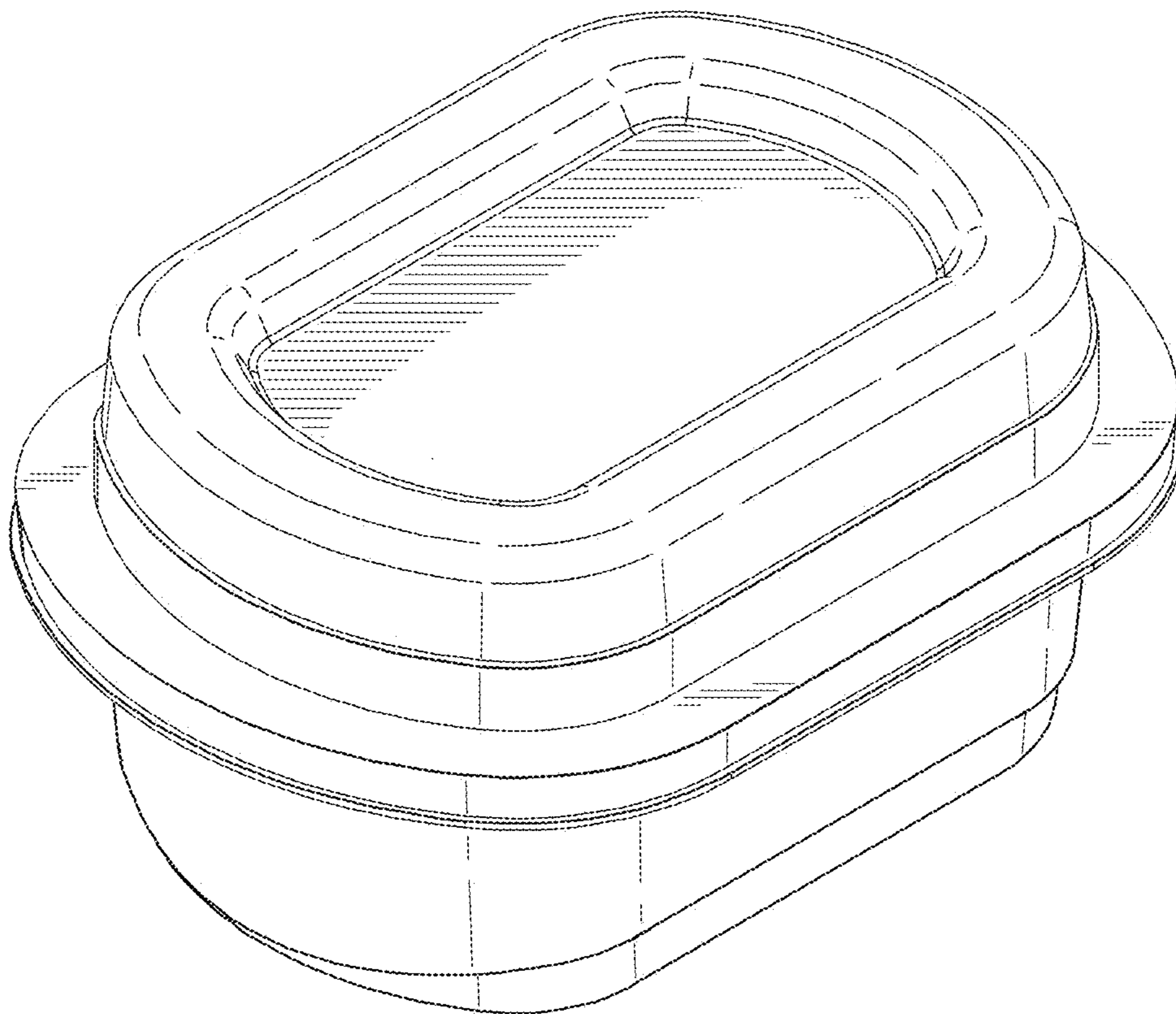


FIG. 7

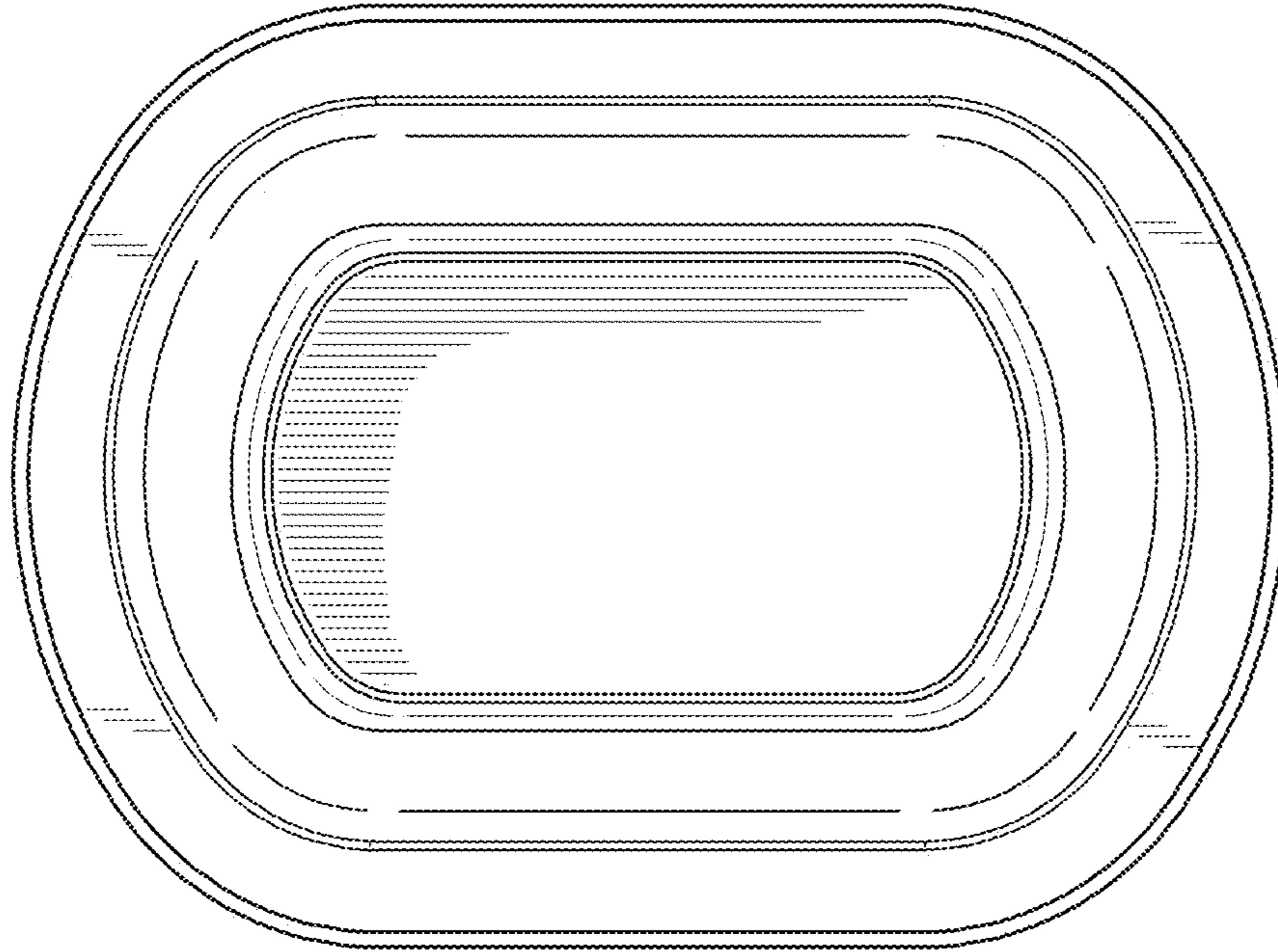


FIG. 8

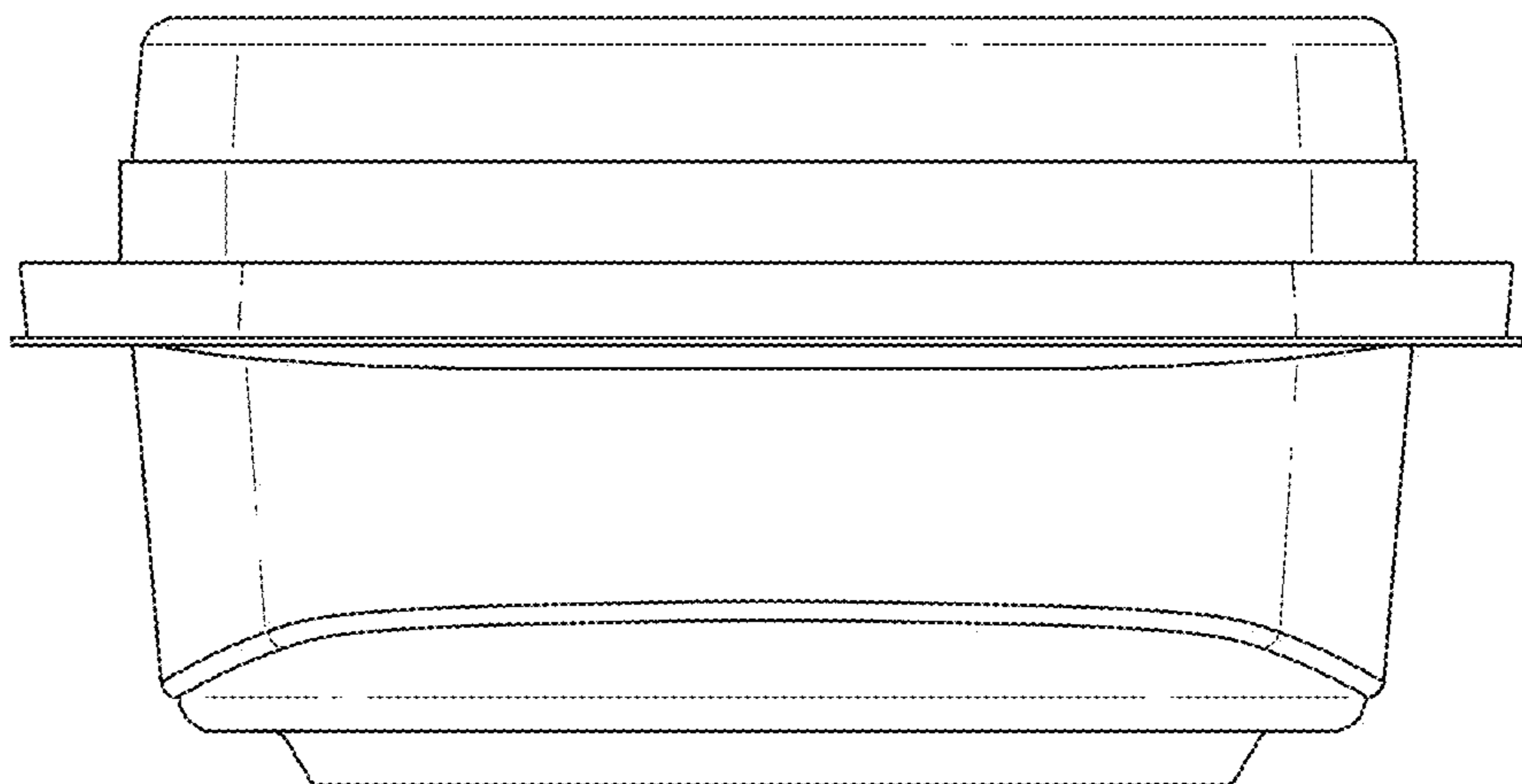


FIG. 9

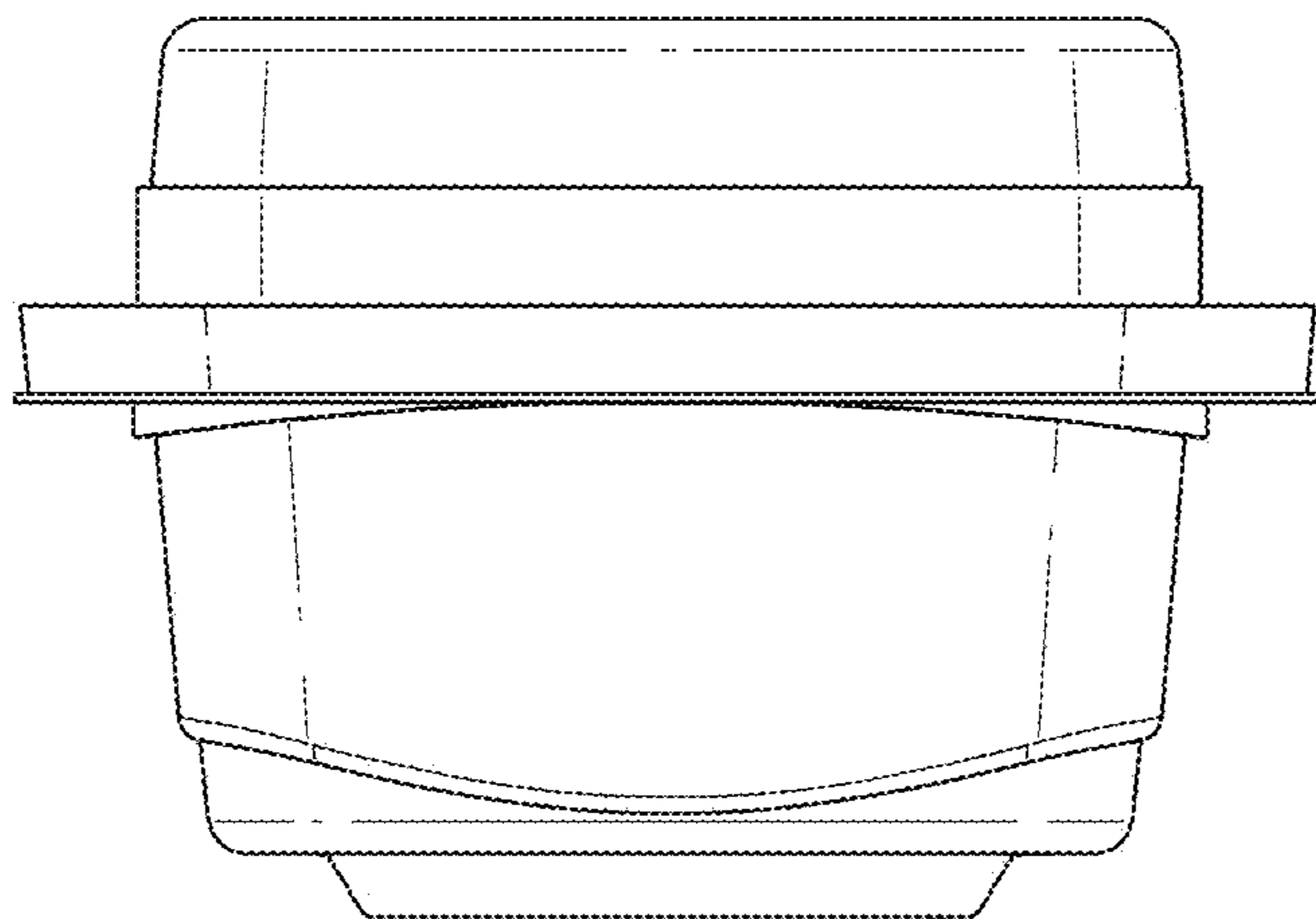


FIG. 10

