

US00D918032S

(12) **United States Design Patent** (10) **Patent No.:** **US D918,032 S**
Smith et al. (45) **Date of Patent:** **** May 4, 2021**

(54) **PACKAGE FOR MEDICAL DEVICE**

(71) Applicant: **Millennium Pharmaceuticals, Inc.**,
Cambridge, MA (US)

(72) Inventors: **Carson Smith**, Hawthorn Woods, IL
(US); **Nobel Truong**, Milford, MA
(US); **Tieming Ruan**, Belmont, MA
(US); **Scott Boyer**, North Providence,
RI (US)

(73) Assignee: **Millennium Pharmaceuticals, Inc.**,
Cambridge, MA (US)

(**) Term: **15 Years**

(21) Appl. No.: **29/671,712**

(22) Filed: **Nov. 29, 2018**

(51) **LOC (13) Cl.** **09-03**

(52) **U.S. Cl.**
USPC **D9/425; D9/737**

(58) **Field of Classification Search**
USPC D24/121, 123, 216-227, 229; D9/414,
D9/416, 418, 424-427, 432, 434, 737;
D7/510
CPC A61M 25/002; A61B 50/30
See application file for complete search history.

(56) **References Cited**

U.S. PATENT DOCUMENTS

D209,642 S *	12/1967	Goldberg	D24/227
4,226,328 A *	10/1980	Beddow	A61F 17/00
				206/364
D283,051 S *	3/1986	Fichera	D24/123
D304,157 S *	10/1989	Holewinski	D9/737
D337,830 S *	7/1993	Coyne	D24/227
5,390,792 A	2/1995	Van Ness et al.		
5,772,031 A	6/1998	Landis		
D445,198 S *	7/2001	Frattini	D24/227
D471,641 S *	3/2003	McMichael	D24/227

6,915,901 B2	7/2005	Feinberg et al.		
D526,193 S *	8/2006	Heath	D9/425
D565,743 S *	4/2008	Phillips	D24/229
D571,478 S *	6/2008	Horacek	D24/217
7,434,686 B2	10/2008	Prindle		
D608,015 S *	1/2010	Sandel	D24/227
D608,456 S *	1/2010	Sandel	D24/227
D609,819 S *	2/2010	Tomes	D24/227
D613,418 S *	4/2010	Ryan	D24/229
D698,644 S *	2/2014	Teopas	D9/425
8,734,420 B2	5/2014	Ariagno et al.		
D709,760 S *	7/2014	Castell, Jr.	D9/434

(Continued)

FOREIGN PATENT DOCUMENTS

CA 54180 * 3/1985

Primary Examiner — Susan Bennett Hattan

Assistant Examiner — Omeed Agilee

(74) *Attorney, Agent, or Firm* — Prospect Law LLP

(57) **CLAIM**

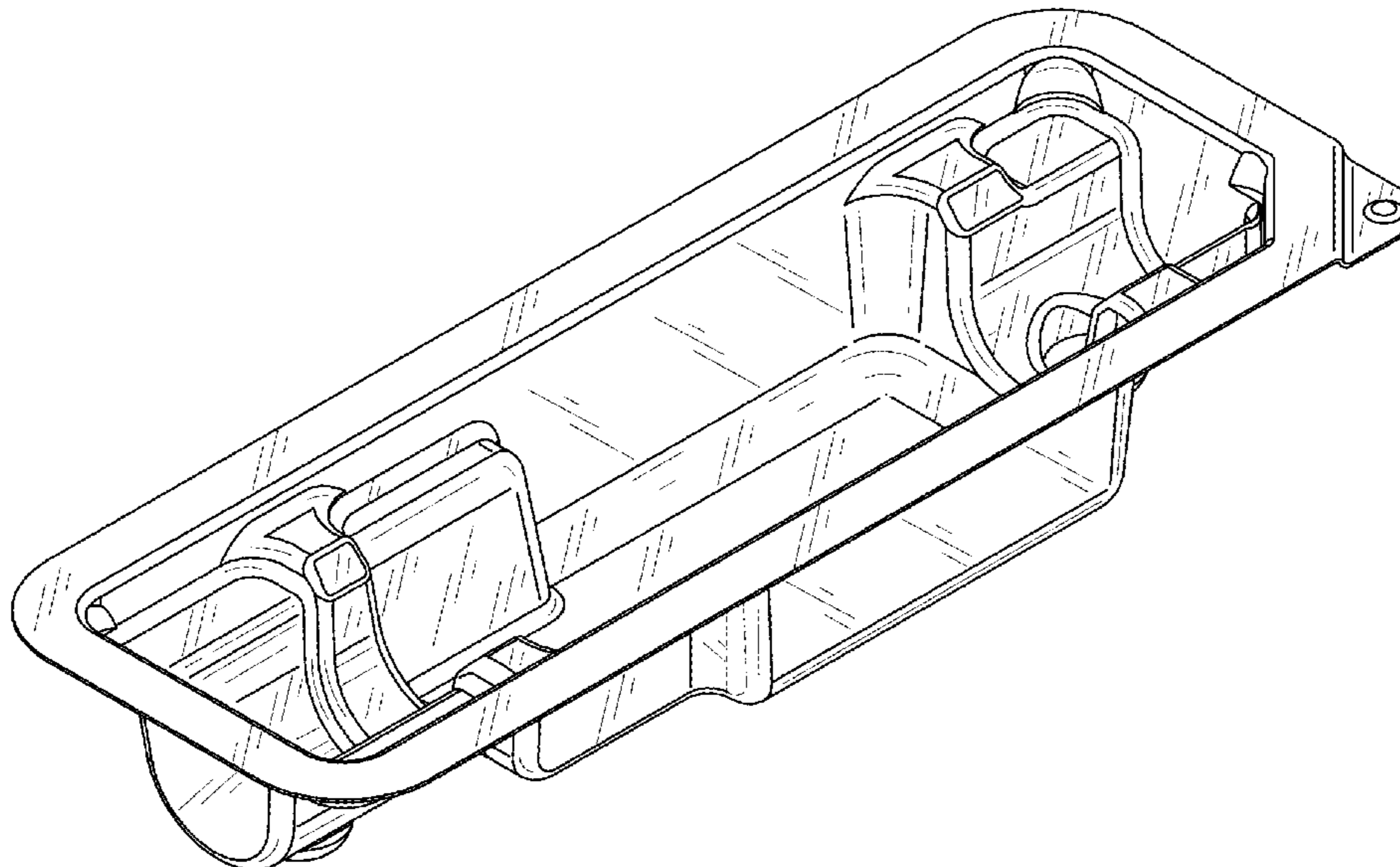
The ornamental design for a package for medical device, as shown and described.

DESCRIPTION

FIG. 1 is a top, front and left side perspective view of an ornamental design for a package for medical device; FIG. 2 is a top, rear and right side perspective view thereof; FIG. 3 is a bottom, rear and right side view thereof; FIG. 4 is a bottom, front and left side view thereof; FIG. 5 is a front elevational view thereof; FIG. 6 is a rear elevational view thereof; FIG. 7 is a top plan view thereof; FIG. 8 is a bottom plan view thereof; FIG. 9 is a left side view thereof; and, FIG. 10 is a right side view thereof.

The broken lines shown in the drawings depict portions of the package for medical device that form no part of the claimed design.

1 Claim, 8 Drawing Sheets



(56)

References Cited

U.S. PATENT DOCUMENTS

D720,470	S	12/2014	Lober	
D751,726	S *	3/2016	Nishioka	D24/229
D779,082	S *	2/2017	Andre	D24/229
D788,936	S *	6/2017	Schill	D24/229
D788,937	S *	6/2017	Schill	D24/229
D809,380	S *	2/2018	Pickard	D9/425
D848,845	S *	5/2019	Dacey	D9/456
D852,975	S *	7/2019	Jones	D24/216
D895,145	S *	9/2020	Smith	D24/229
2014/0224688	A1	8/2014	Slemmen et al.	
2015/0021221	A1 *	1/2015	Hendrickson	A61B 50/20 206/438
2015/0306362	A1	10/2015	Battaglia	
2016/0375199	A1	12/2016	Ward et al.	
2017/0008686	A1	1/2017	Tanoguchi	
2017/0142893	A1	5/2017	Hasumi et al.	
2018/0085515	A1	3/2018	Mide et al.	
2019/0336235	A1 *	11/2019	Hart	A61B 50/33

* cited by examiner

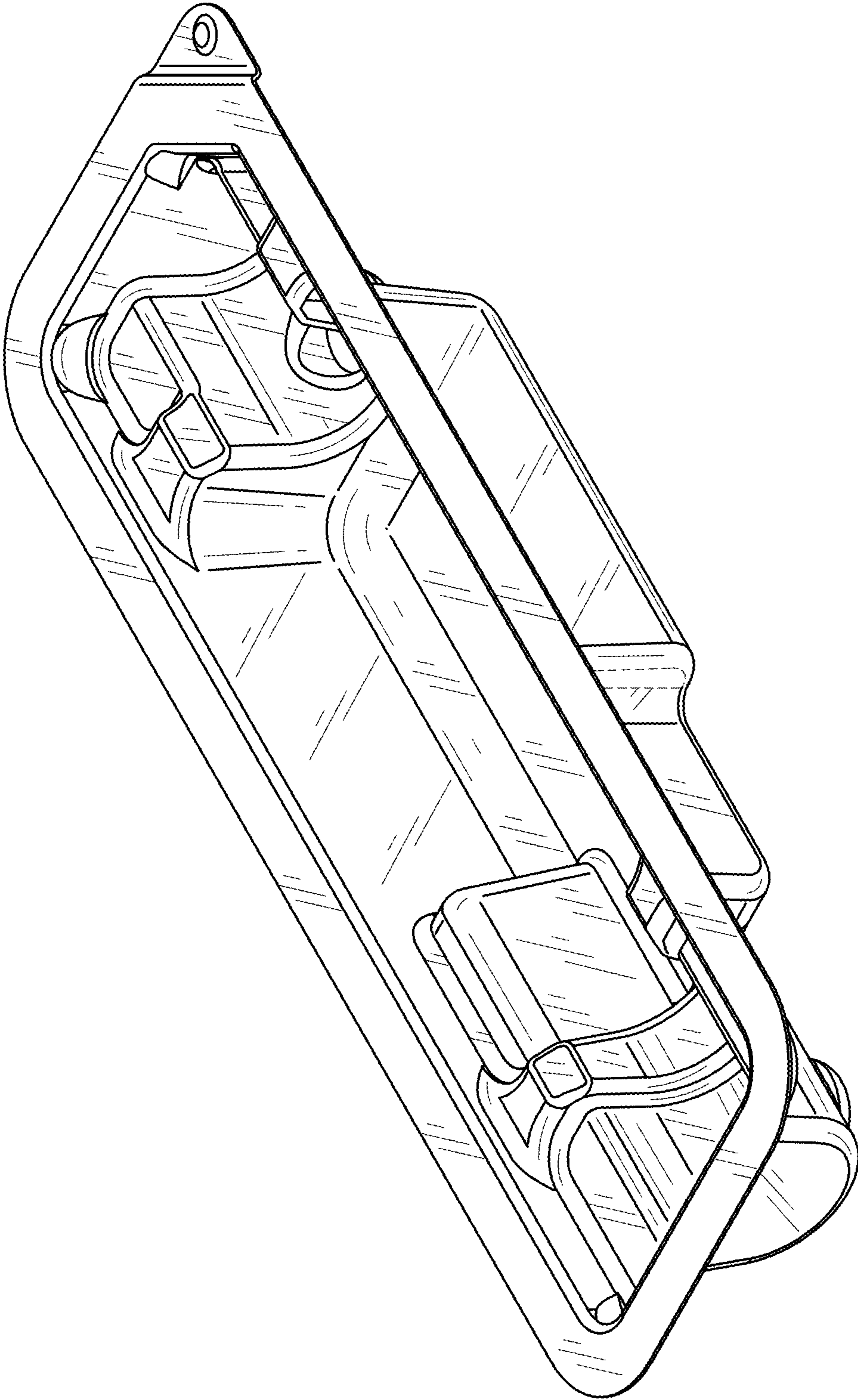


FIG. 1

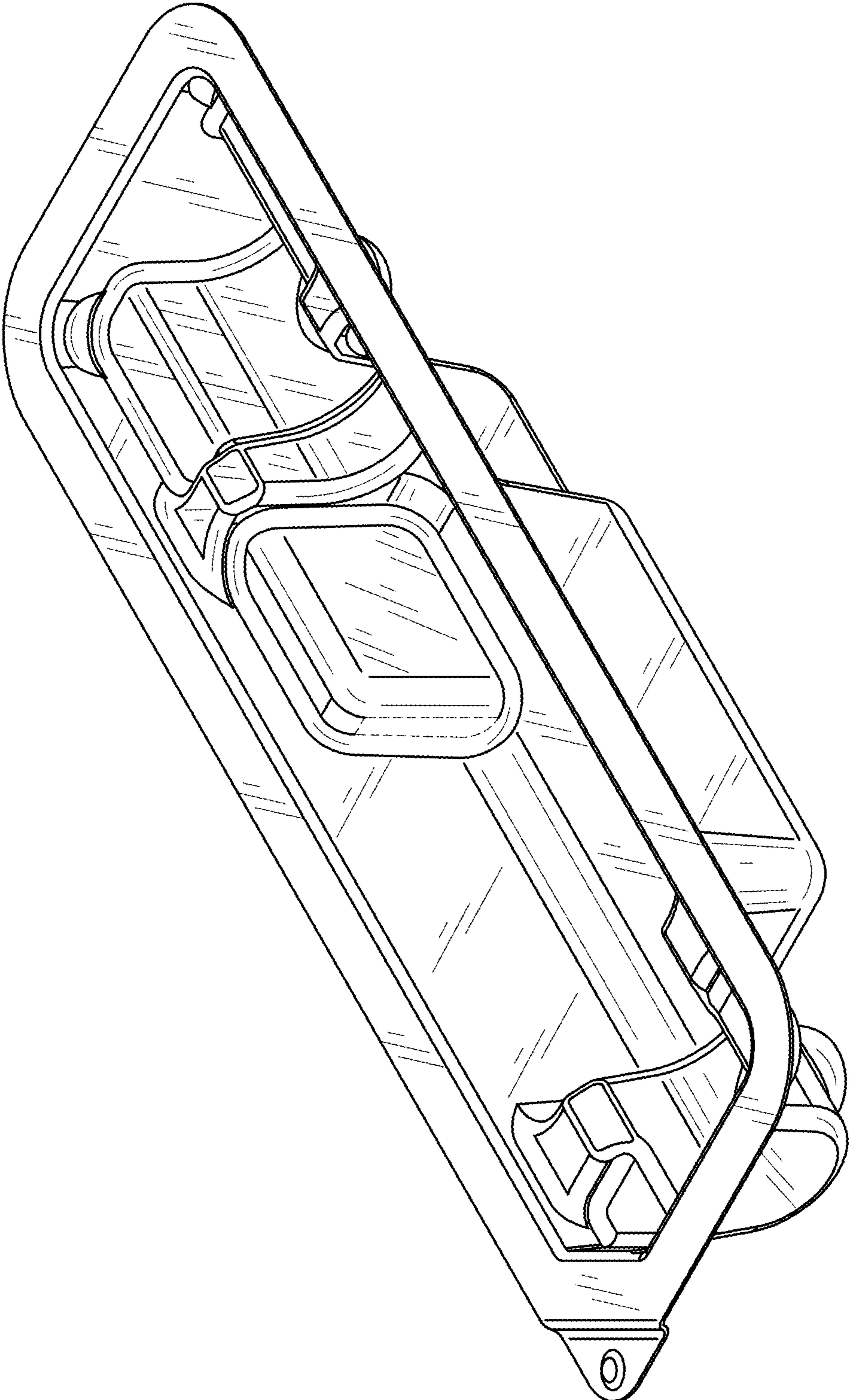


FIG. 2

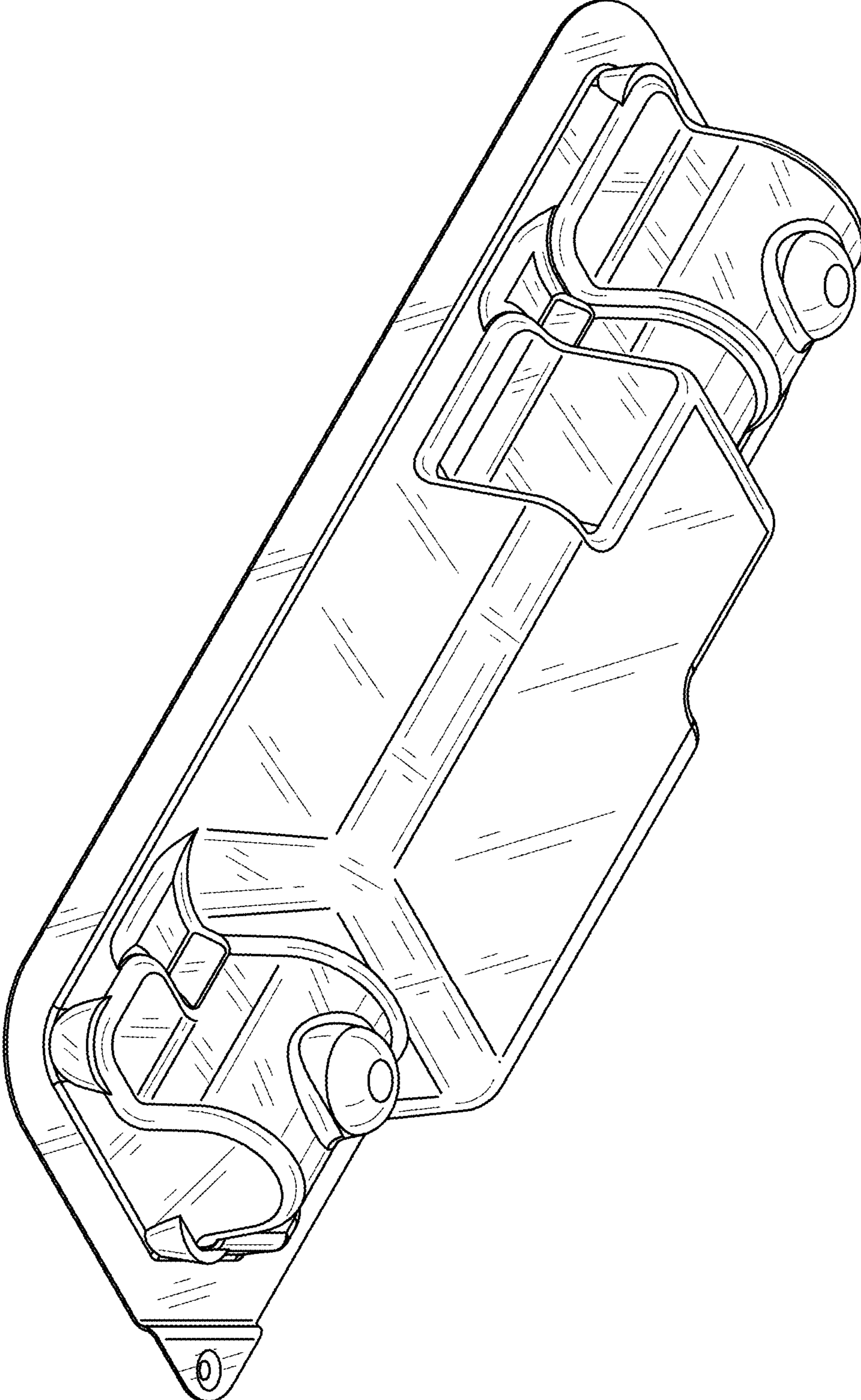


FIG. 3

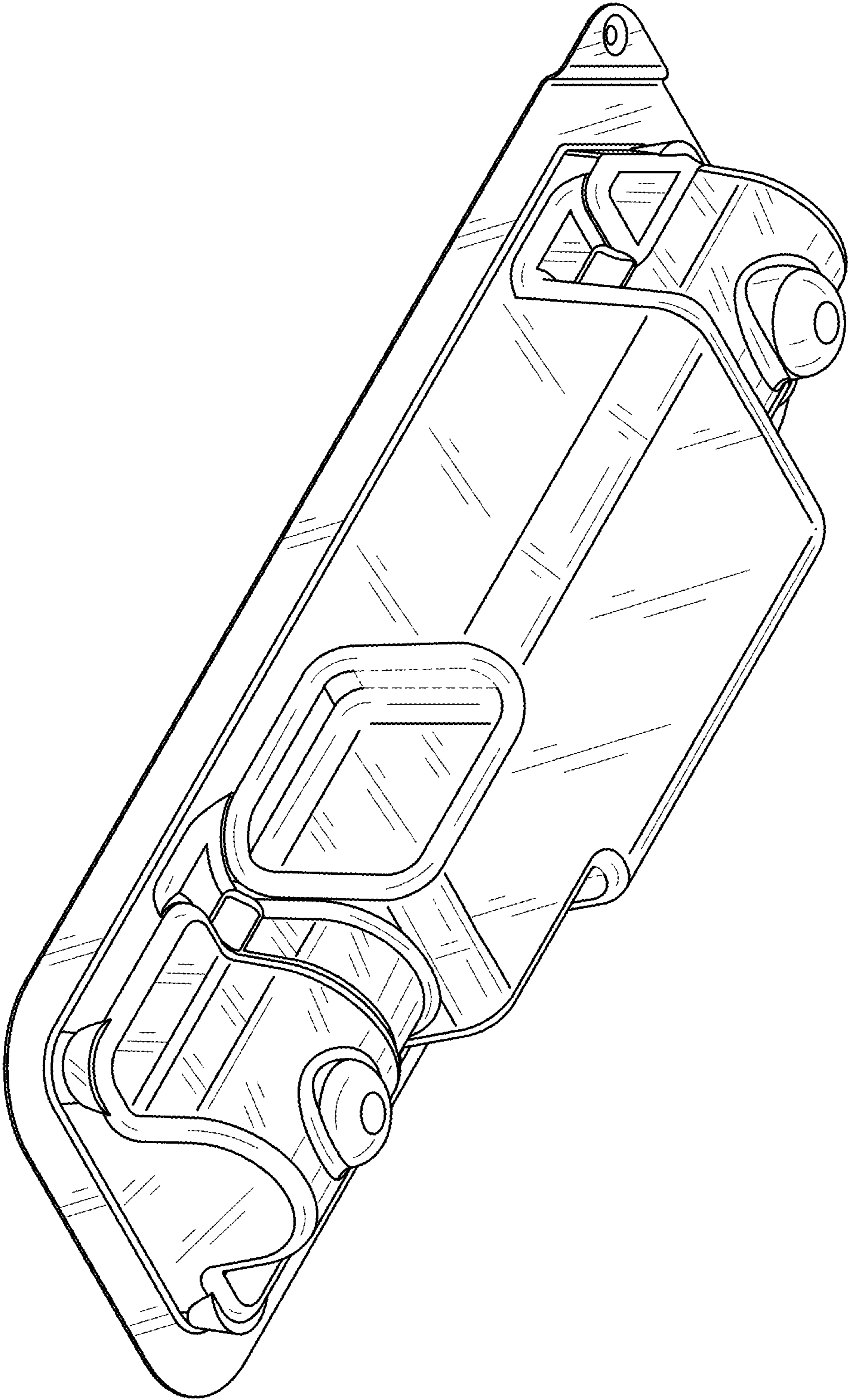


FIG. 4

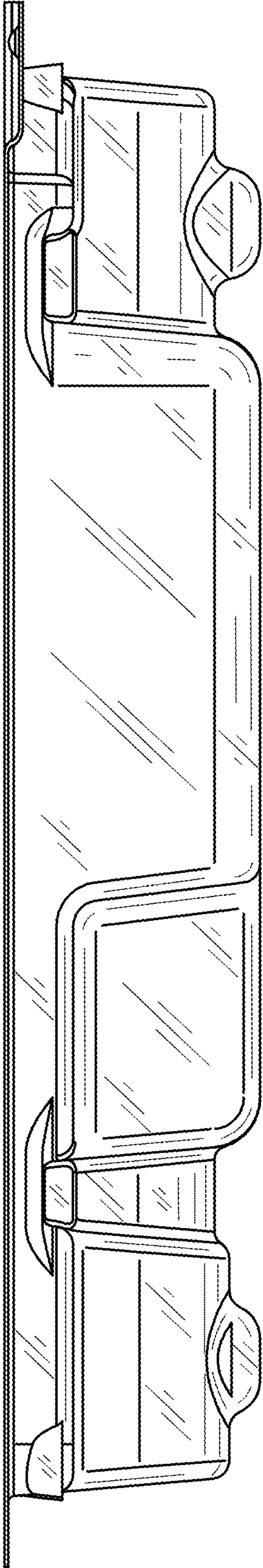


FIG. 5

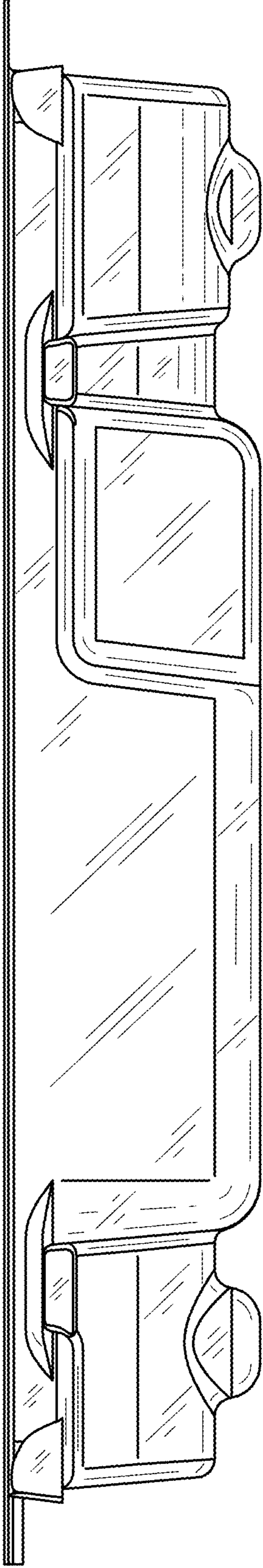


FIG. 6

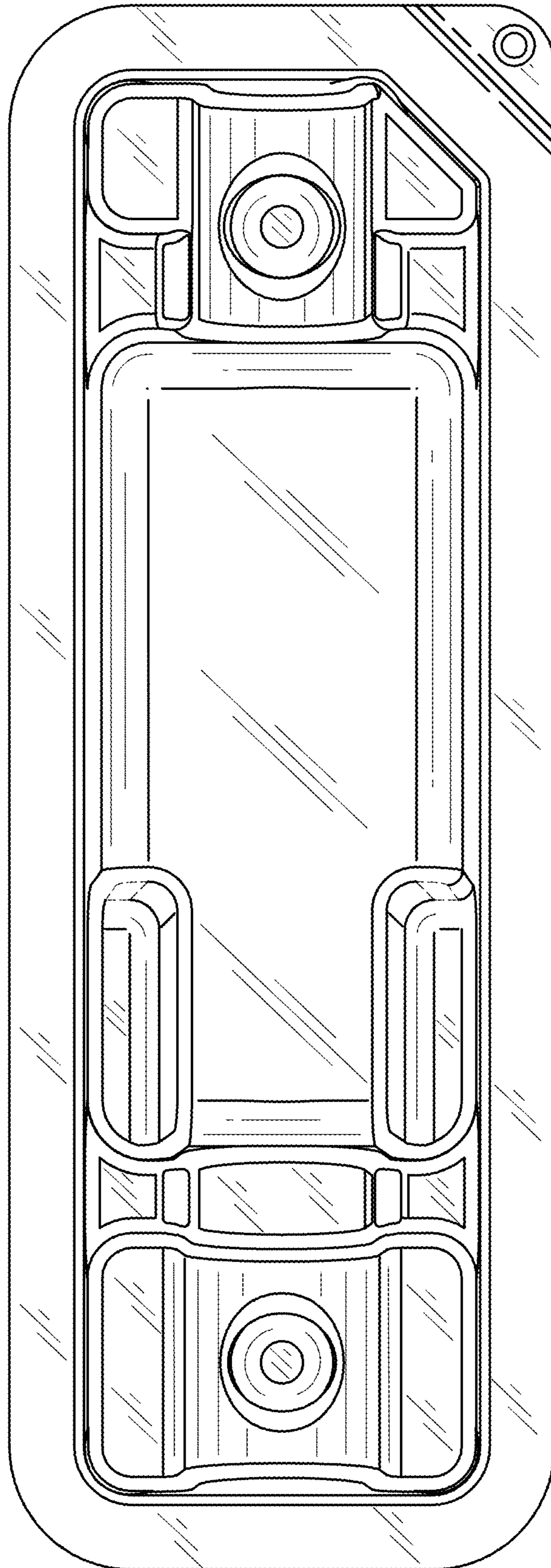


FIG. 7

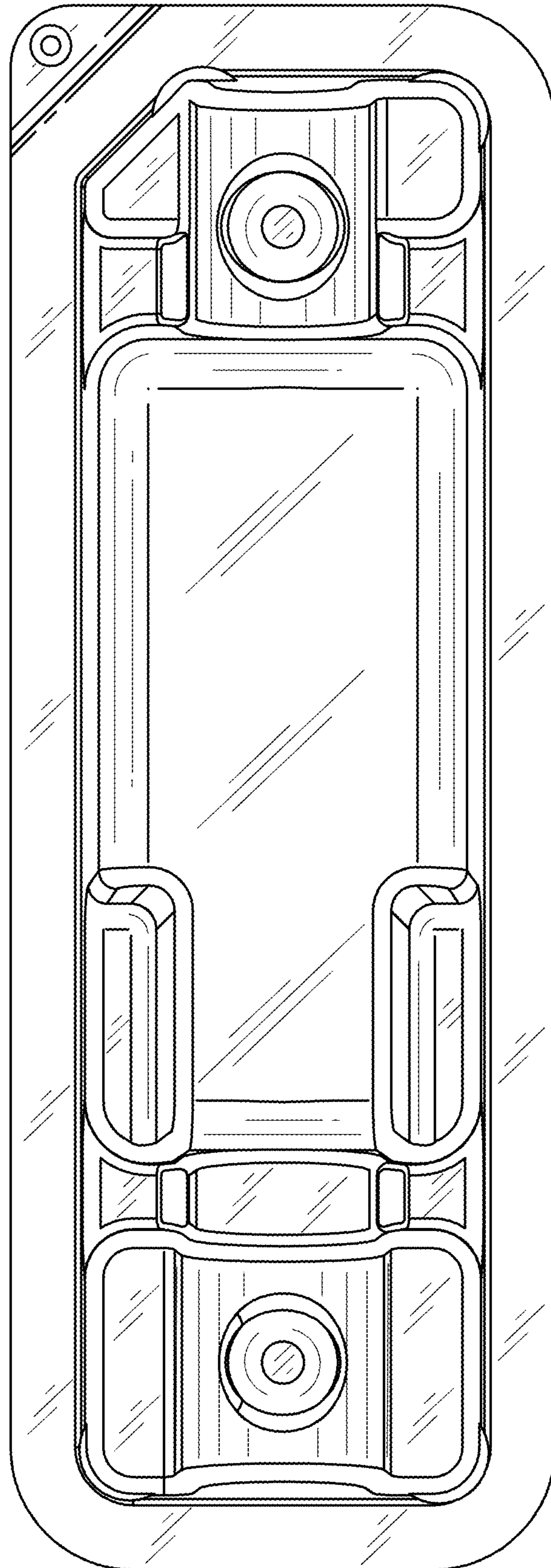


FIG. 8

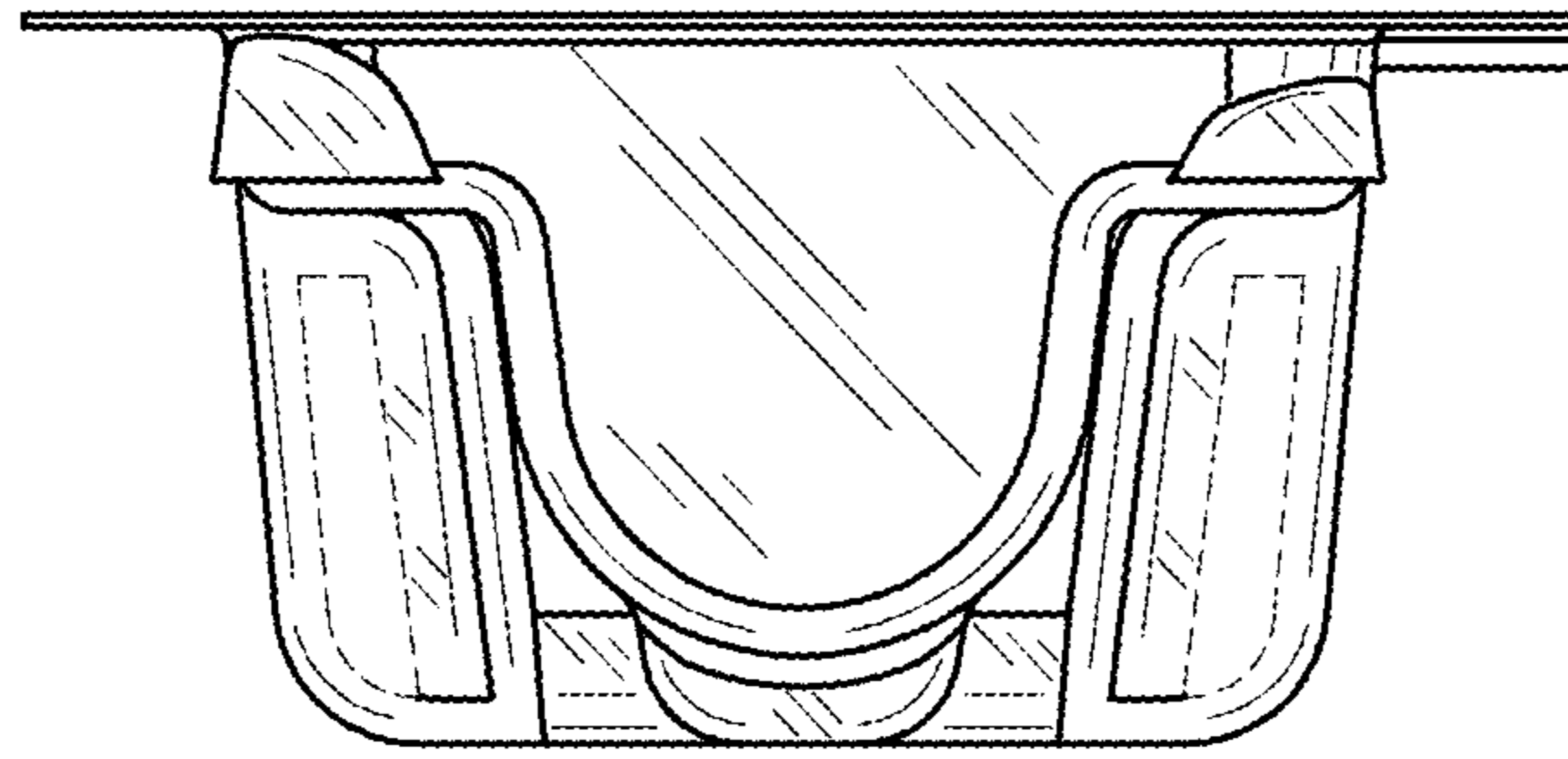


FIG. 9

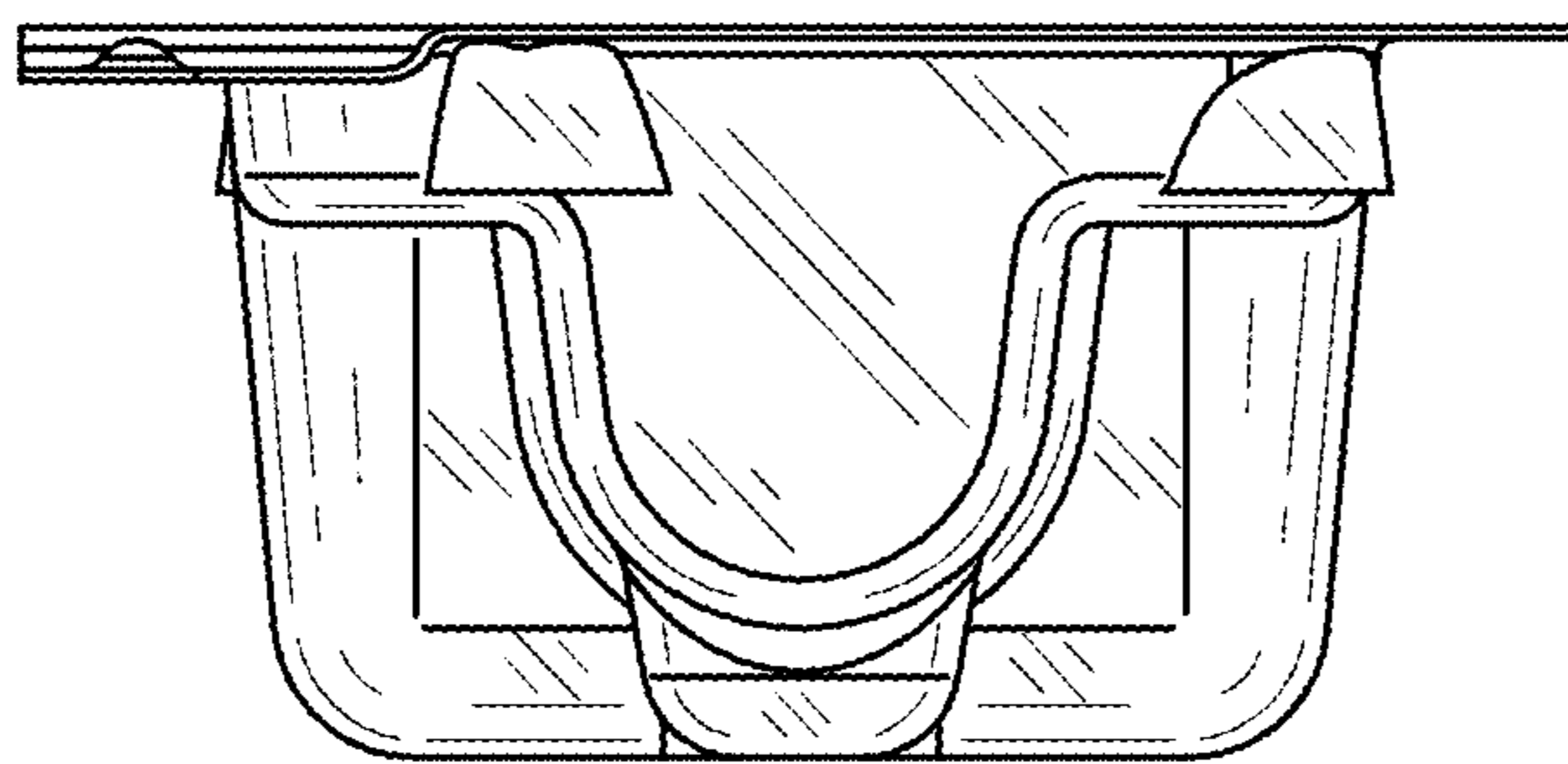


FIG. 10