



US00D918030S

(12) **United States Design Patent**
Wan et al.

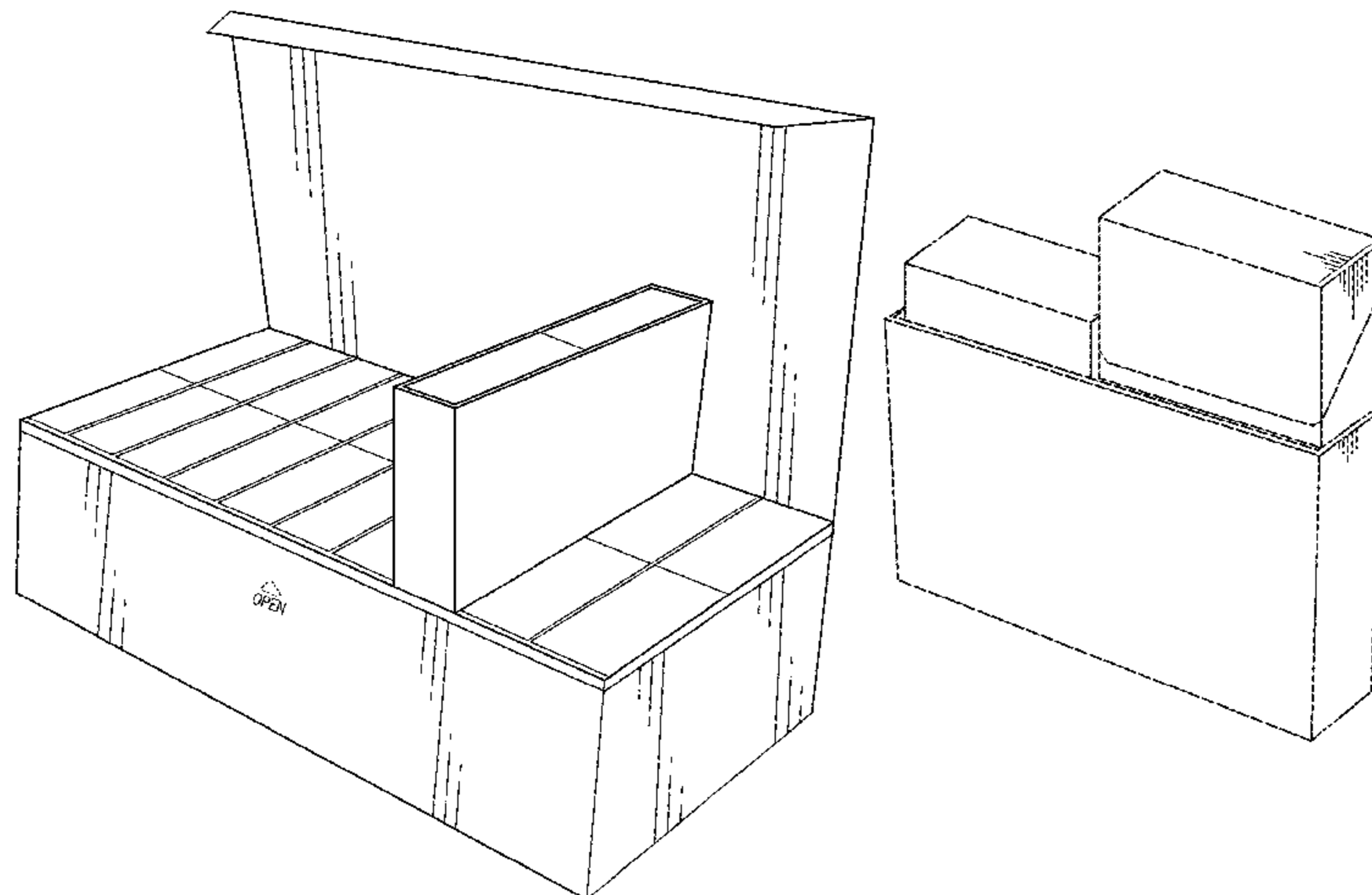
(10) **Patent No.:** **US D918,030 S**

(45) **Date of Patent:** **** May 4, 2021**

- (54) **CIGARETTE PACKAGING BOX**
- (71) Applicant: **China Tobacco Hubei Industrial Corporation Limited, Hubei (CN)**
- (72) Inventors: **You Wan, Hubei (CN); Xiaolei Peng, Hubei (CN); Da-An Liu, Hubei (CN); Tengfei Hu, Hubei (CN); Chen Wan, Hubei (CN)**
- (**) Term: **15 Years**
- (21) Appl. No.: **29/678,191**
- (22) Filed: **Jan. 25, 2019**
- (30) **Foreign Application Priority Data**
 - Jul. 25, 2018 (CN) 201830403534.8
 - Jul. 25, 2018 (CN) 201830403827.6
- (51) **LOC (13) Cl.** **09-03**
- (52) **U.S. Cl.**
USPC **D9/420; D9/432**
- (58) **Field of Classification Search**
USPC D9/414-423, 424-429, 430-433, 434, D9/456, 457, 711, 713, 721-722, 737, D9/756, 758, 759, 760; D20/10, 22, 27, D20/40, 42; D3/272-274, 290, 304, 305, D3/315
CPC ... B65D 5/00; B65D 5/02; B65D 5/18; B65D 5/20
See application file for complete search history.
- (56) **References Cited**
U.S. PATENT DOCUMENTS
3,039,671 A * 6/1962 Chiamardas B65D 85/1045
229/120.03
4,196,842 A * 4/1980 Focke B65D 5/18
206/268
D355,275 S * 2/1995 Focke D27/186
D446,601 S * 8/2001 Fisher D27/129
6,334,532 B1 * 1/2002 Tambo B65D 85/1045
206/268
D492,814 S * 7/2004 Bray D27/189

- D503,014 S * 3/2005 Bray D27/189
- D541,978 S * 5/2007 Counts D27/189
- 7,347,033 B2 * 3/2008 Gamberini B65B 19/16
53/148
- 7,353,940 B2 * 4/2008 Sendo B65D 85/1036
206/268
- D575,636 S * 8/2008 Krautter D9/420
- D579,325 S * 10/2008 Bray B65D 85/1045
D9/423
- D582,264 S * 12/2008 Snyder D9/423
- D590,249 S * 4/2009 Yanchev D9/421
- D591,899 S * 5/2009 Bray D27/189
- D653,535 S * 2/2012 Tearle D27/189
- D656,094 S * 3/2012 Wu D13/108
- D662,411 S * 6/2012 Tearle D27/189
- D673,034 S * 12/2012 Villiers D9/420
- D675,915 S * 2/2013 Villiers D9/420
- D675,916 S * 2/2013 Villiers D9/420
- D679,178 S * 4/2013 Villiers D9/420
- D776,547 S * 1/2017 Schroeder D6/542
- D803,043 S * 11/2017 Greenspan D9/423
- D811,902 S * 3/2018 Lesina D9/760
- D821,866 S * 7/2018 Scotti D9/420
- D834,937 S * 12/2018 McKenzie D9/432
- D837,051 S * 1/2019 Dumville D9/432
- 2005/0150786 A1 * 7/2005 Mitten B65D 85/1045
206/259
- 2005/0252796 A1 * 11/2005 Sendo B65D 85/1045
206/261
- 2007/0193892 A1 * 8/2007 Tanbo B65D 85/1081
206/205
- 2008/0060954 A1 * 3/2008 Pham B65D 85/1045
206/273
- 2008/0230410 A1 * 9/2008 Steven Jones B65D 5/6691
206/268
- 2009/0308766 A1 * 12/2009 Polloni B65D 85/1036
206/264
- 2010/0059395 A1 * 3/2010 England B65D 5/42
206/259
- 2012/0111746 A1 * 5/2012 Tanbo B65D 77/02
206/268
- 2013/0319886 A1 * 12/2013 Ledermann B65D 5/6691
206/264
- 2014/0263351 A1 * 9/2014 Youell B31B 50/00
220/507
- 2016/0068303 A1 * 3/2016 Schroeder B65D 21/0204
220/23.4
- 2017/0113865 A1 * 4/2017 Swede B65D 85/1081
- 2017/0291757 A1 * 10/2017 Sebastian H05B 47/19

* cited by examiner



Primary Examiner — Vy N Koenig

(74) Attorney, Agent, or Firm — Rumi Ranjit Kanakia

(57) **CLAIM**

The ornamental design for a cigarette packaging box, as shown and described.

DESCRIPTION

FIG. 1 is an above front right perspective view of a cigarette packaging box in a closed position in a first embodiment, the cigarette packaging box containing a plurality of double cigarette package boxes, and each of the plurality of double cigarette package boxes containing two individual cigarette packages;

FIG. 2 is an above front right perspective view of the cigarette packaging box of FIG. 1 in an open position and containing a plurality of double cigarette package boxes with one double cigarette package box pushed slightly out of the cigarette packaging box in a first embodiment;

FIG. 3 is a left-side view of the cigarette packaging box of FIG. 1;

FIG. 4 is a right-side view of the cigarette packaging box of FIG. 1;

FIG. 5 is a bottom view of the cigarette packaging box of FIG. 1;

FIG. 6 is a top view of the cigarette packaging box of FIG. 1;

FIG. 7 is a front view of the cigarette packaging box of FIG. 1;

FIG. 8 is a back view of the cigarette packaging box of FIG. 1;

FIG. 9 is an above front right perspective view of one of the double cigarette package box components of the cigarette packaging box of FIG. 1, shown separately to show aspects of the design that are not apparent in other views;

FIG. 10 is an above front right perspective view of the double cigarette package box of FIG. 9 with each of two cigarette packages pushed slightly out of the double cigarette package box;

FIG. 11 is a left-side view of the double cigarette package box of FIG. 9;

FIG. 12 is a right-side view of the double cigarette package box of FIG. 9;

FIG. 13 is a front view of the double cigarette package box of FIG. 9;

FIG. 14 is a back view of the double cigarette package box of FIG. 9;

FIG. 15 is a top view of the double cigarette package box of FIG. 9 showing tops of two cigarette packages;

FIG. 16 is a bottom view of the double cigarette package box of FIG. 9 showing bottoms of two cigarette packages;

FIG. 17 is an above front right perspective view of one of the individual cigarette package components of the cigarette packaging box of FIG. 1, shown separately to show aspects of the design that are not apparent in other views;

FIG. 18 is a top view of the cigarette package of FIG. 17;

FIG. 19 is a left-side view of the cigarette package of FIG. 17;

FIG. 20 is a right-side view of the cigarette package of FIG. 17;

FIG. 21 is a back view of the cigarette package of FIG. 17;

FIG. 22 is a bottom view of the cigarette package of FIG. 17;

FIG. 23 is a front view of the cigarette package of FIG. 17;

FIG. 24 is an above front right perspective view of a cigarette packaging box in a closed position in a second embodiment, the cigarette packaging box containing a plurality of double cigarette package boxes, and each of the plurality of double cigarette package boxes containing two individual cigarette packages;

FIG. 25 is an above front right perspective view of the cigarette packaging box of FIG. 24 in an open position and containing a plurality of double cigarette package boxes with one double cigarette package box pushed slightly out of the cigarette packaging box in a second embodiment;

FIG. 26 is a left-side view of the cigarette packaging box of FIG. 24;

FIG. 27 is a right-side view of the cigarette packaging box of FIG. 24;

FIG. 28 is a bottom view of the cigarette packaging box of FIG. 24;

FIG. 29 is a top view of the cigarette packaging box of FIG. 24;

FIG. 30 is a front view of the cigarette packaging box of FIG. 24;

FIG. 31 is a back view of the cigarette packaging box of FIG. 24;

FIG. 32 is an above front right perspective view of one of the double cigarette package box components of the cigarette packaging box of FIG. 24, shown separately to show aspects of the design that are not apparent in other views;

FIG. 33 is an above front right perspective view of the double cigarette package box of FIG. 32 with each of two cigarette packages pushed slightly out of the double cigarette package box;

FIG. 34 is a left-side view of the double cigarette package box of FIG. 32;

FIG. 35 is a right-side view of the double cigarette package box of FIG. 32;

FIG. 36 is a front view of the double cigarette package box of FIG. 32;

FIG. 37 is a back view of the double cigarette package box of FIG. 32;

FIG. 38 is a top view of the double cigarette package box of FIG. 32 showing tops of two cigarette packages;

FIG. 39 is a bottom view of the double cigarette package box of FIG. 32 showing bottoms of two cigarette packages;

FIG. 40 is an above front right perspective view of one of the individual cigarette package components of the cigarette packaging box of FIG. 24, shown separately to show aspects of the design that are not apparent in other views;

FIG. 41 is a top view of the cigarette package of FIG. 40;

FIG. 42 is a left-side view of the cigarette package of FIG. 40;

FIG. 43 is a right-side view of the cigarette package of FIG. 40;

FIG. 44 is a back view of the cigarette package of FIG. 40;

FIG. 45 is a bottom view of the cigarette package of FIG. 40;

and, FIG. 46 is a front view of the cigarette package of FIG. 40.

Broken lines in the drawings depict environmental subject matter and form no part of the claimed design.

1 Claim, 22 Drawing Sheets

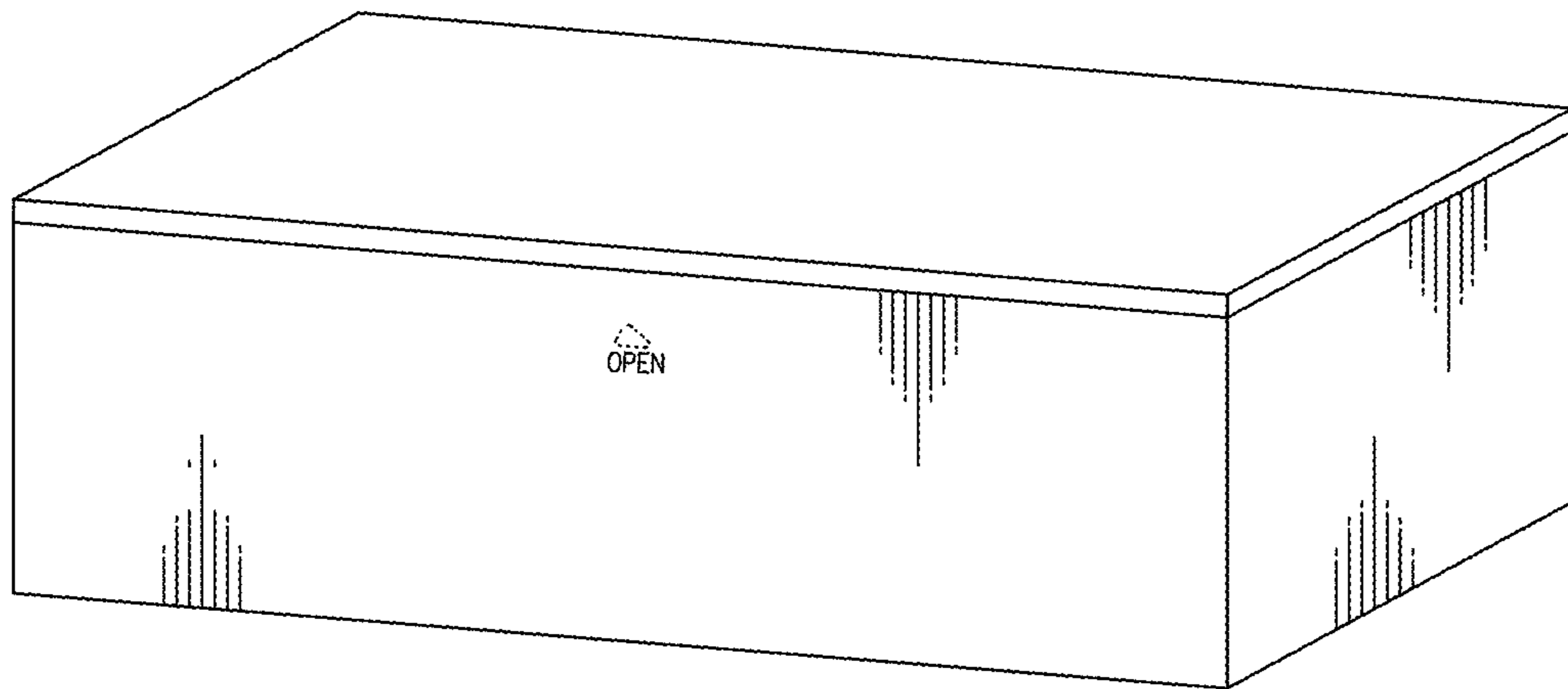


FIGURE 1

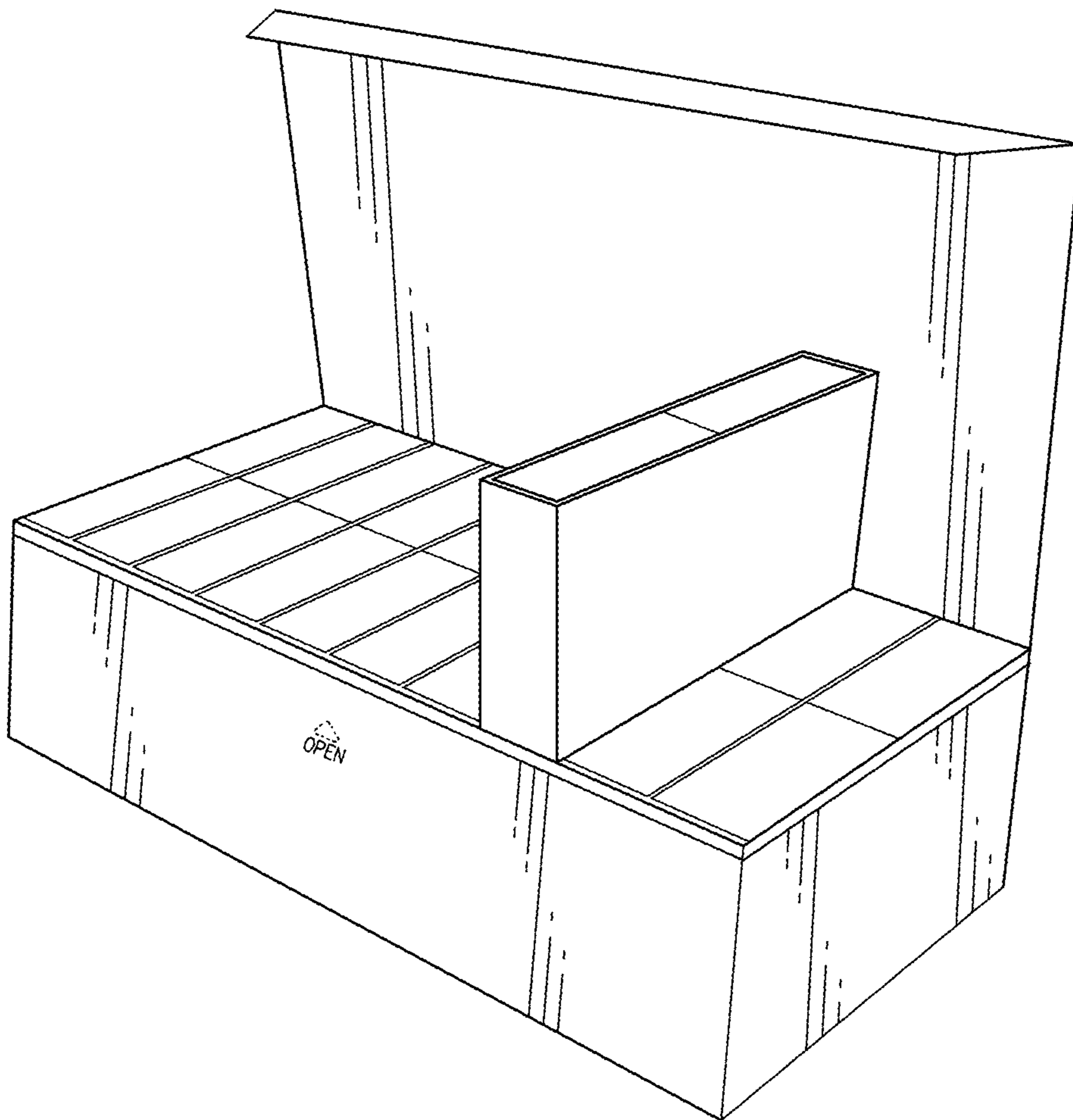


FIGURE 2

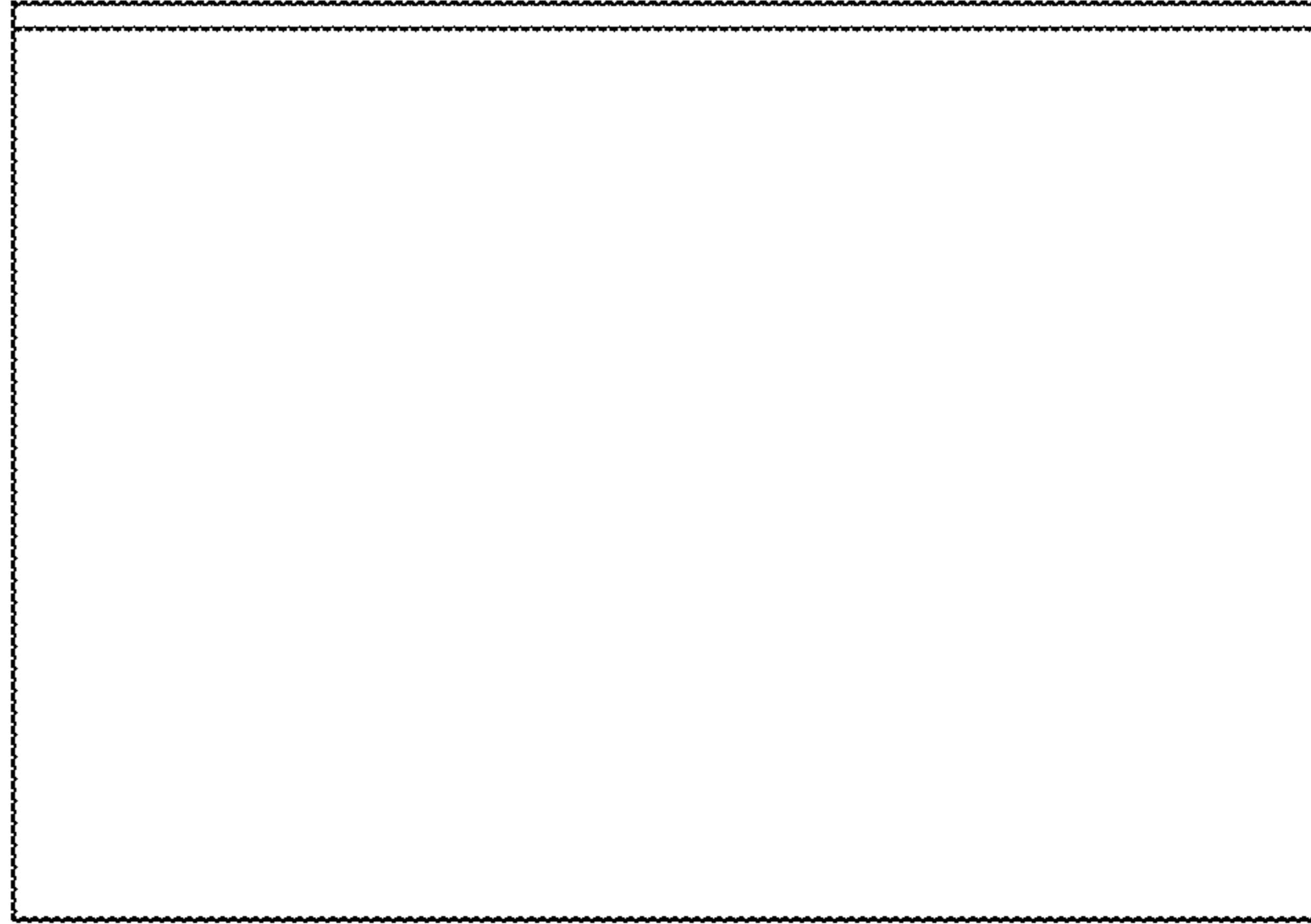


FIGURE 3

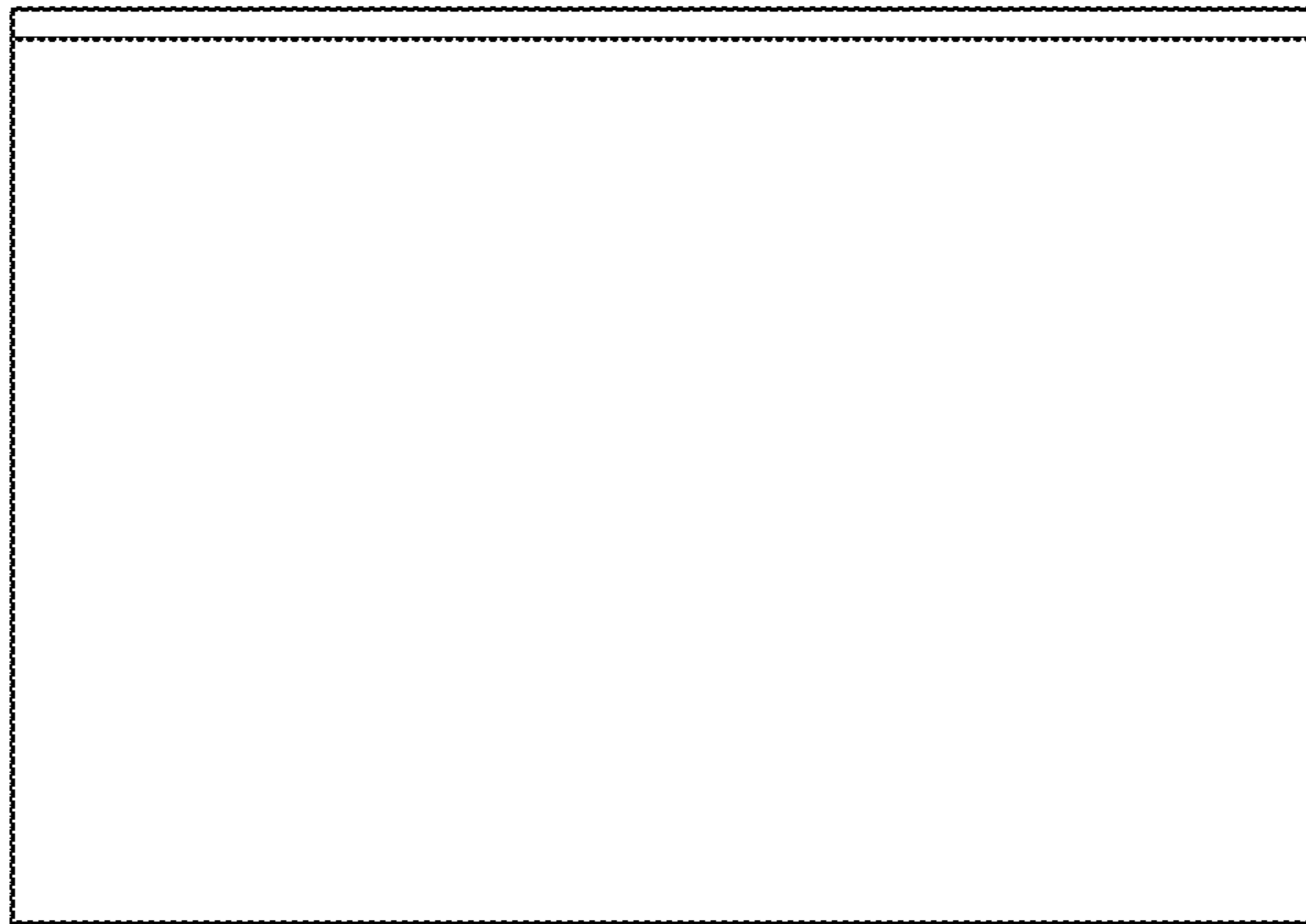


FIGURE 4

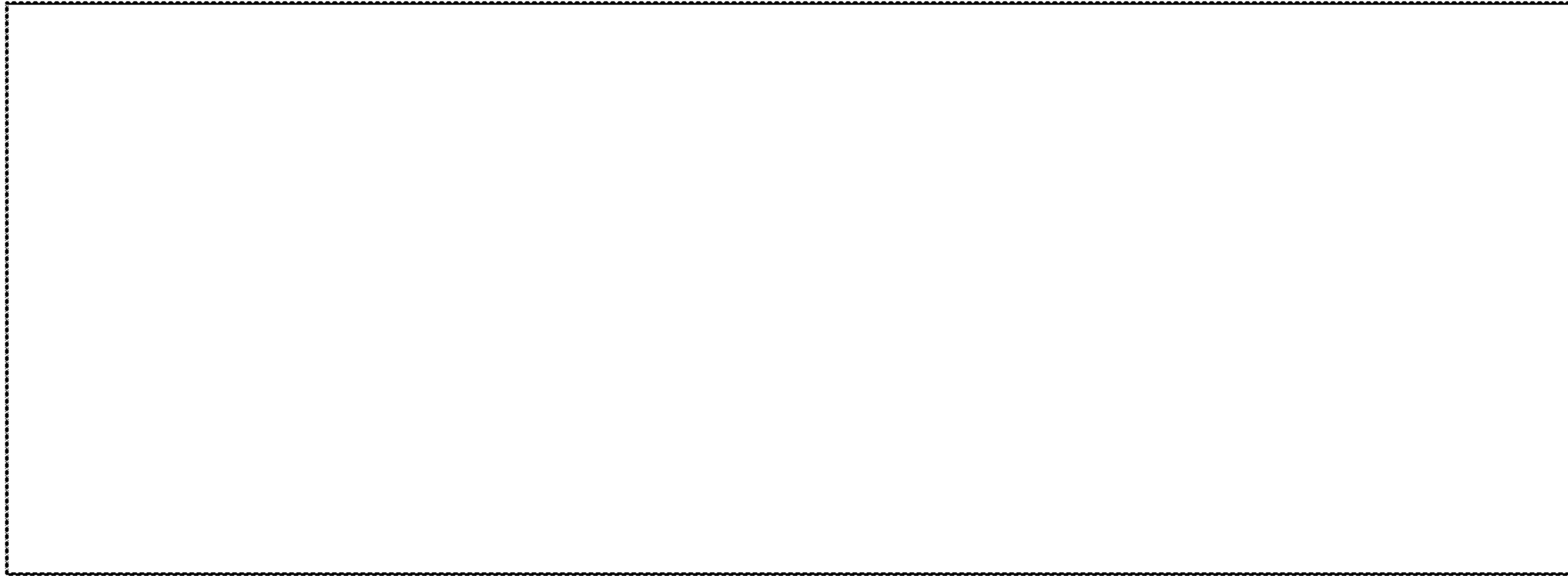


FIGURE 5



FIGURE 6

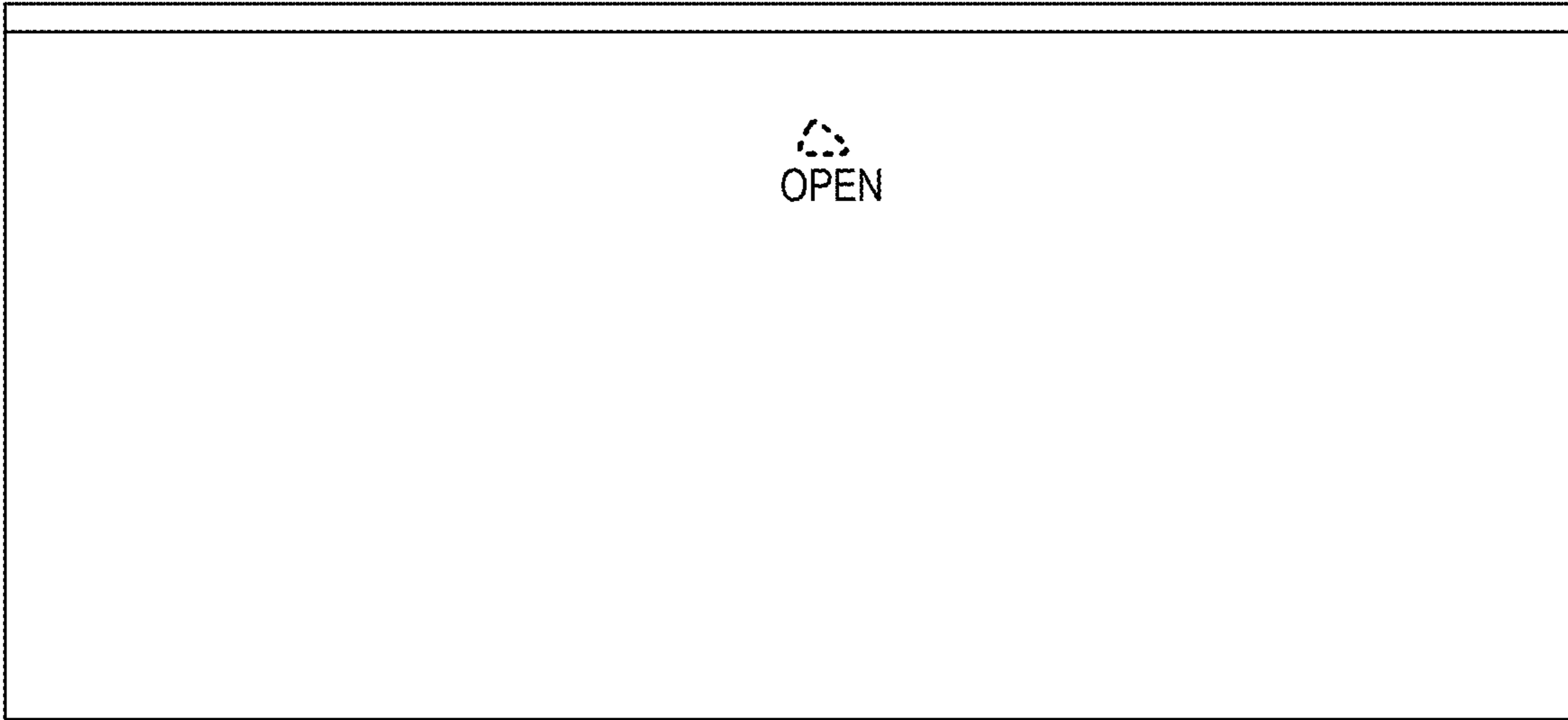


FIGURE 7

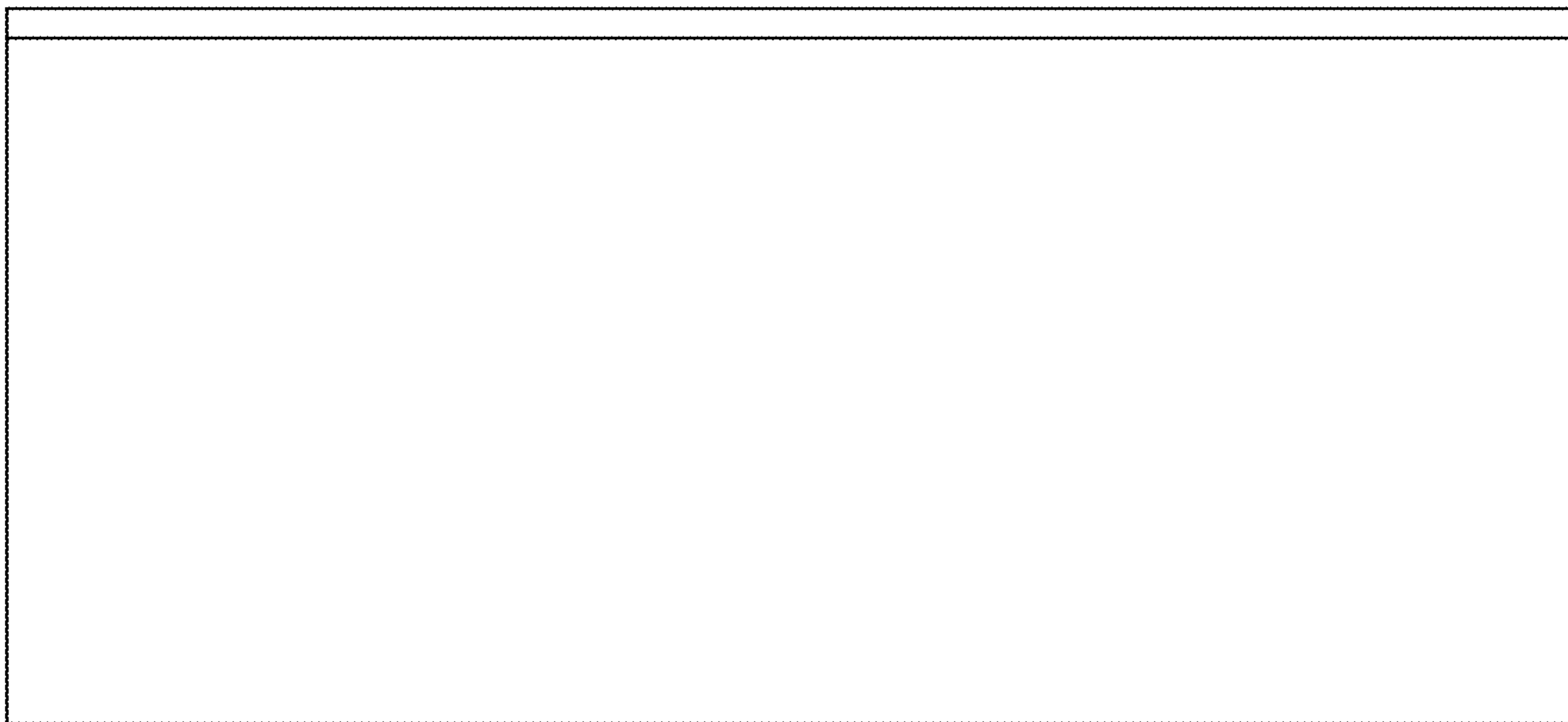


FIGURE 8

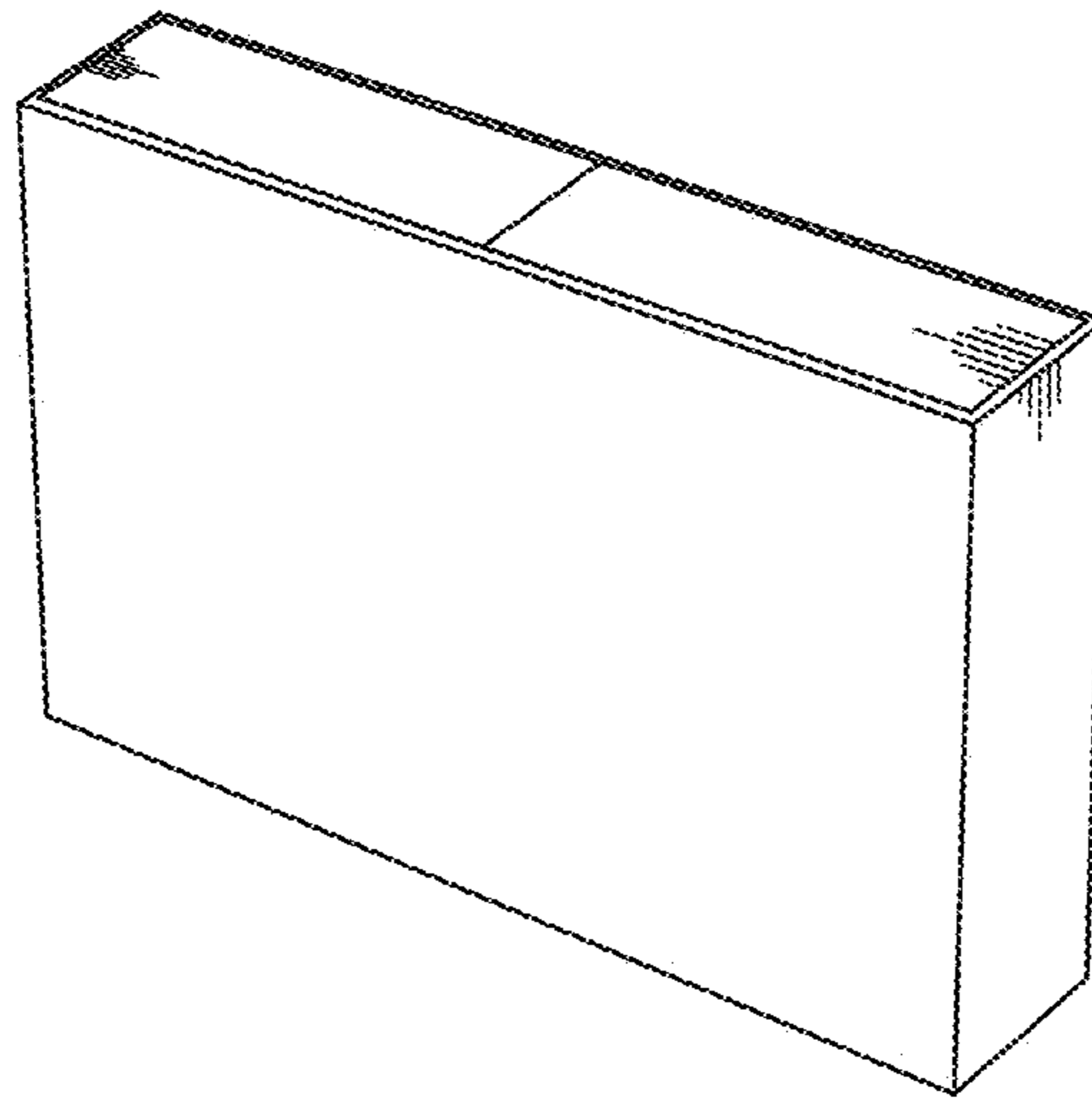


FIGURE 9

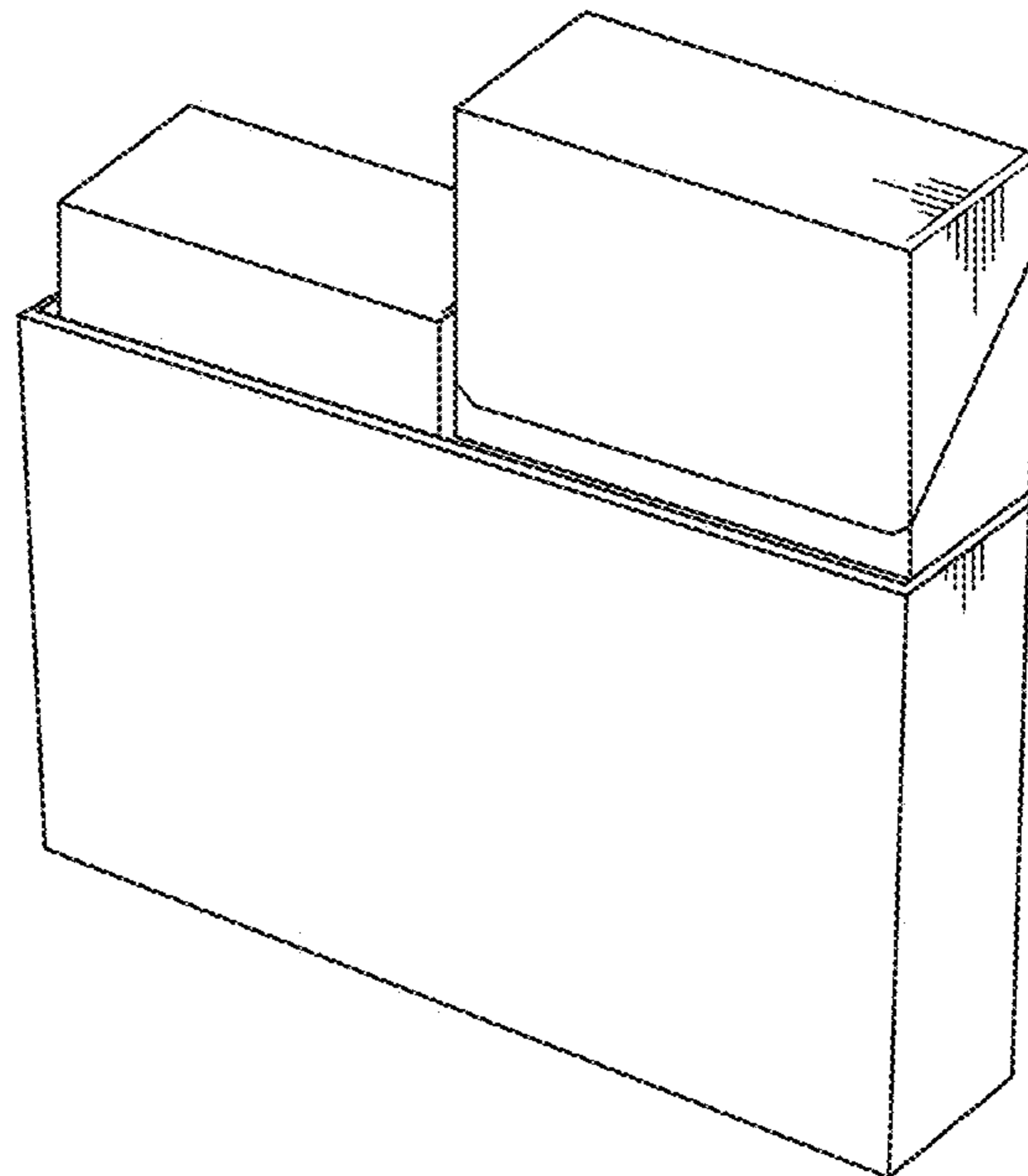


FIGURE 10



FIGURE 11

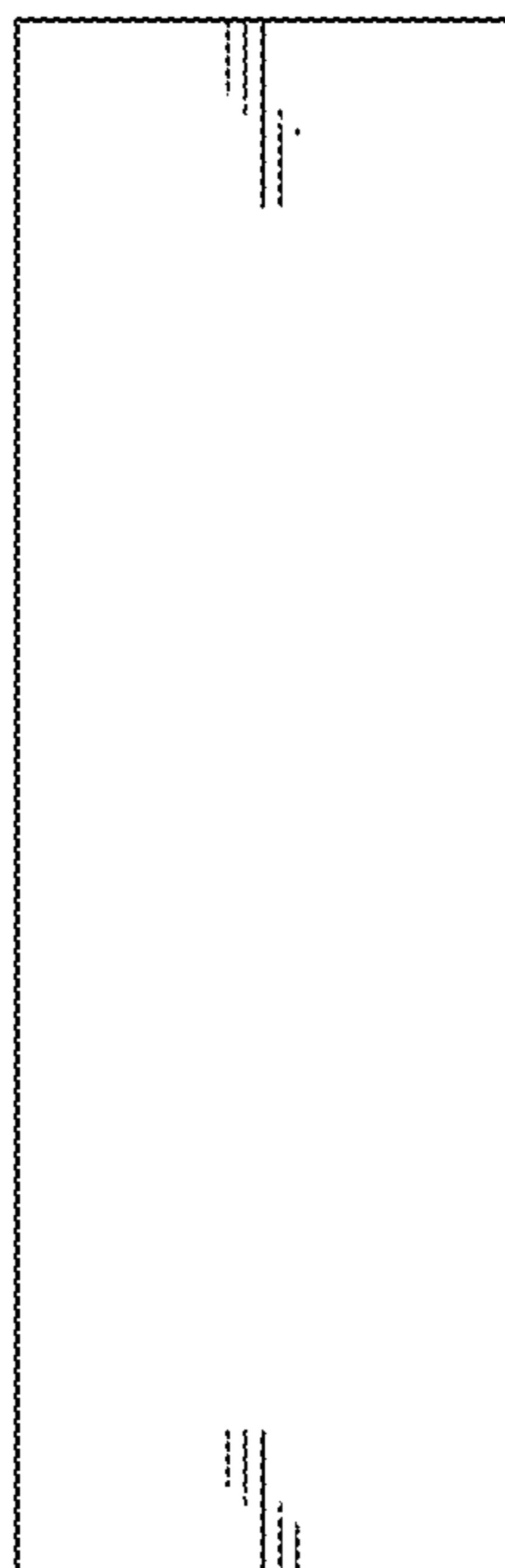


FIGURE 12

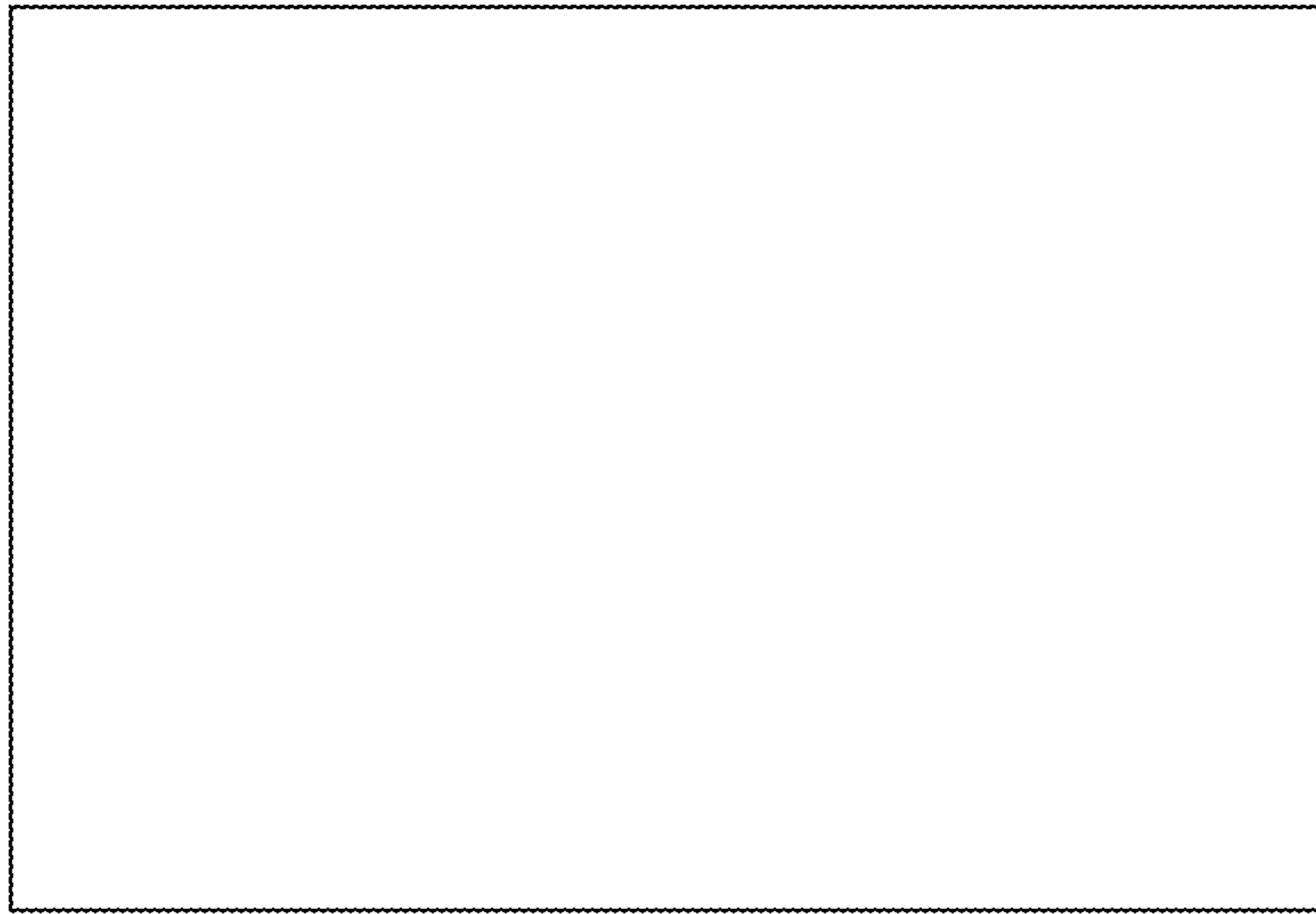


FIGURE 13

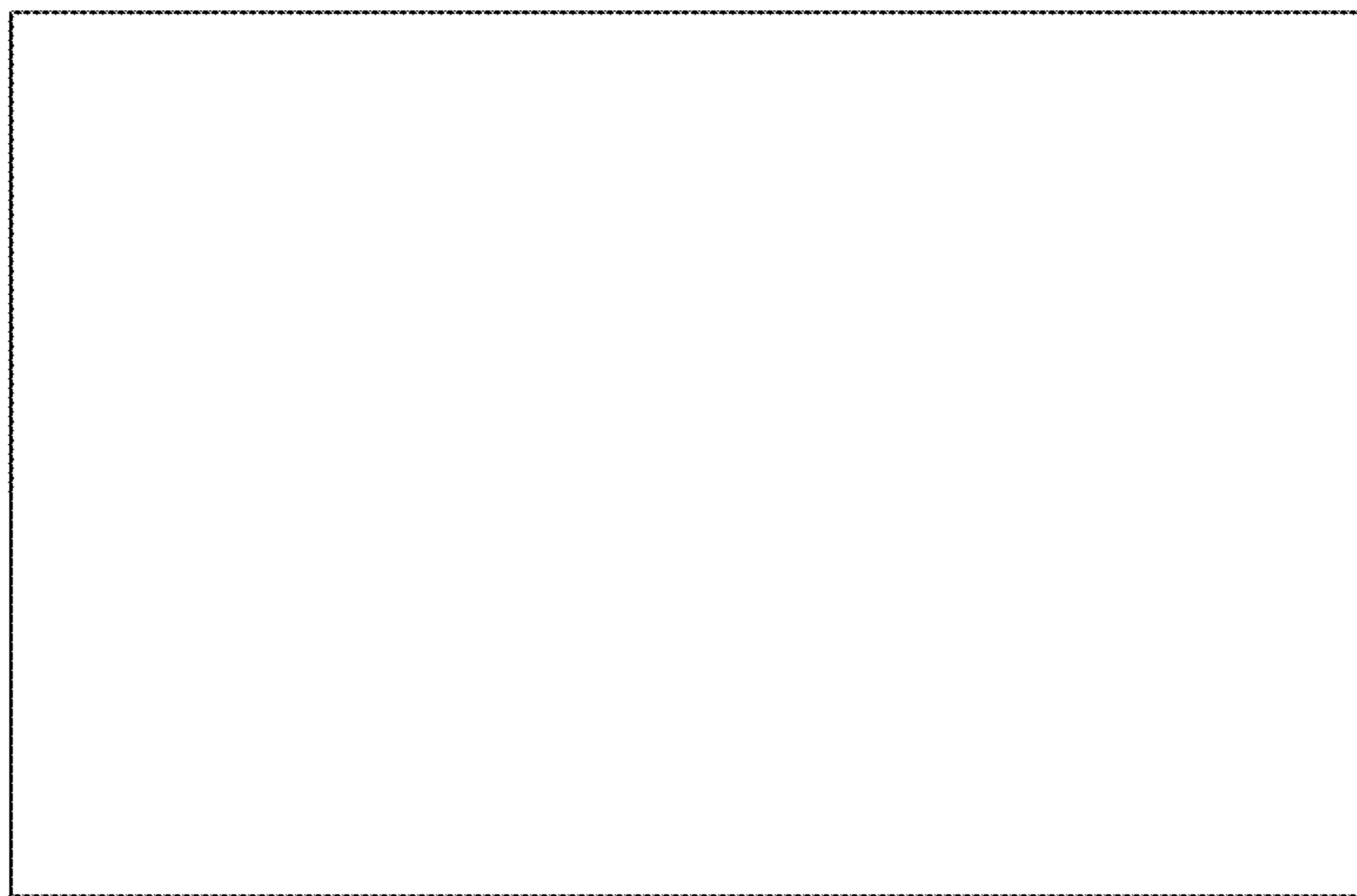


FIGURE 14

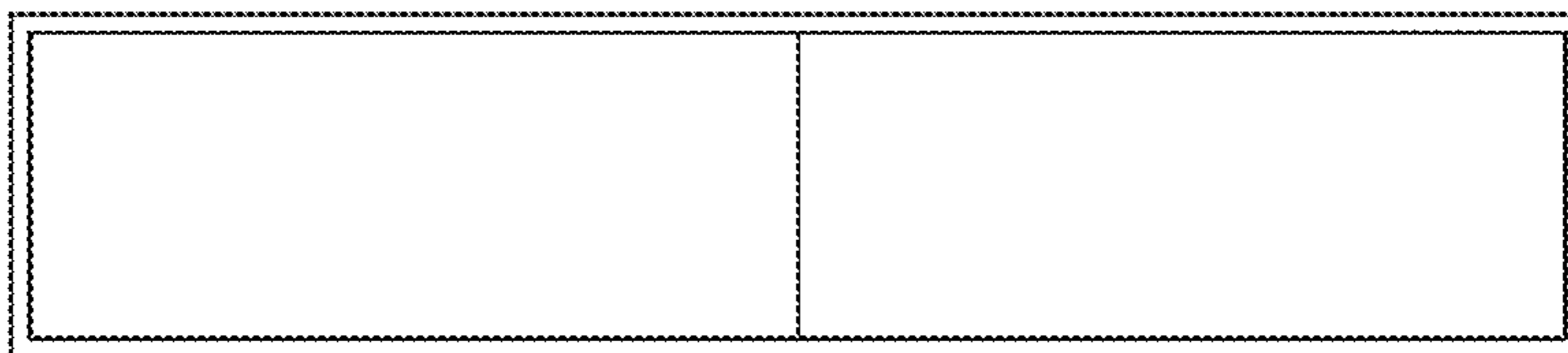


FIGURE 15

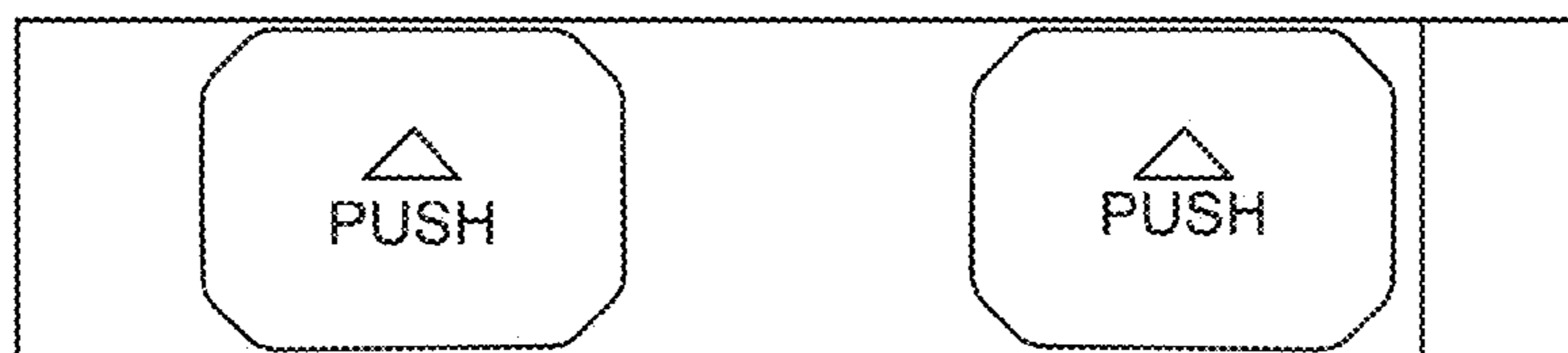


FIGURE 16

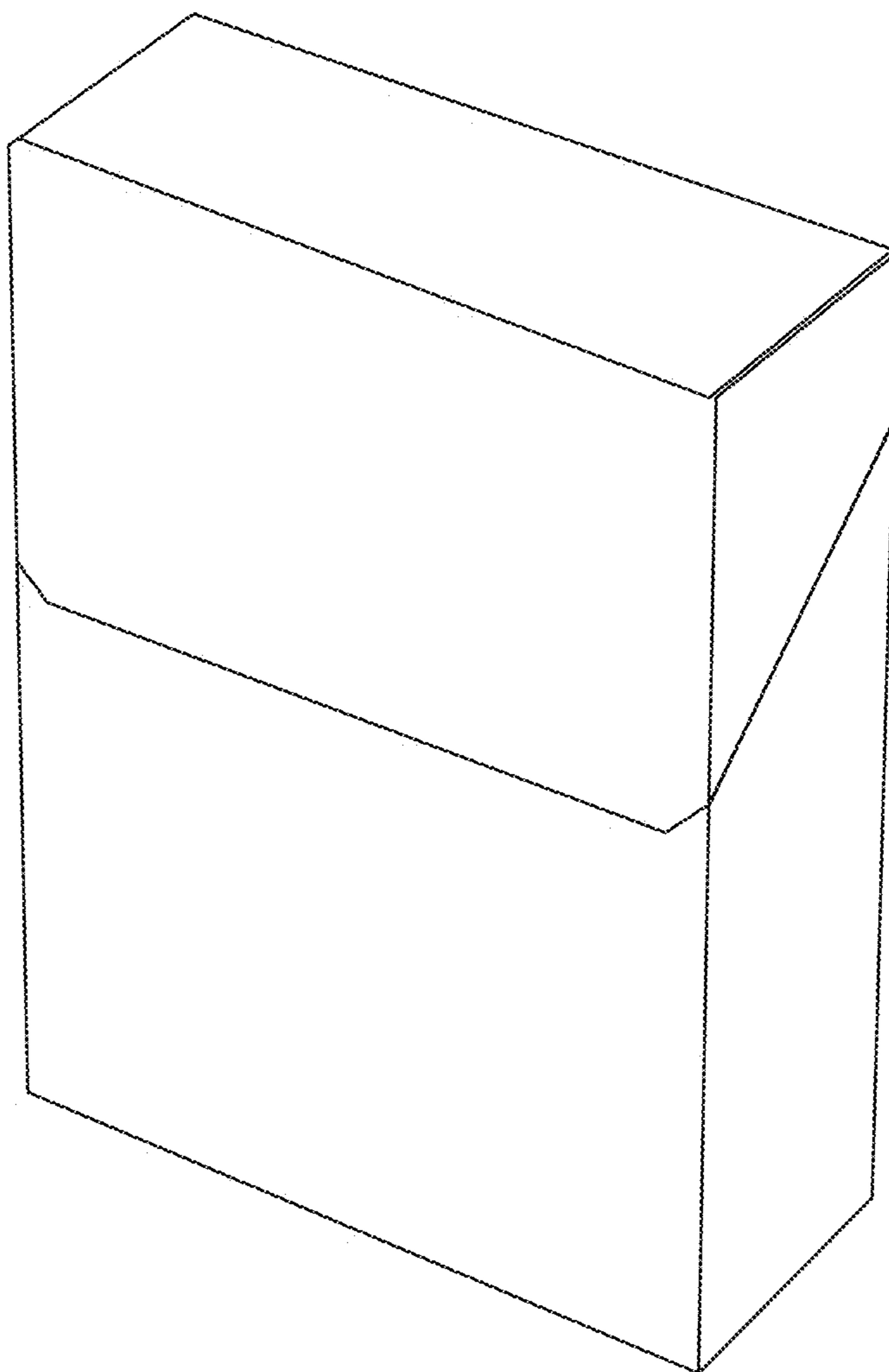


FIGURE 17



FIGURE 18

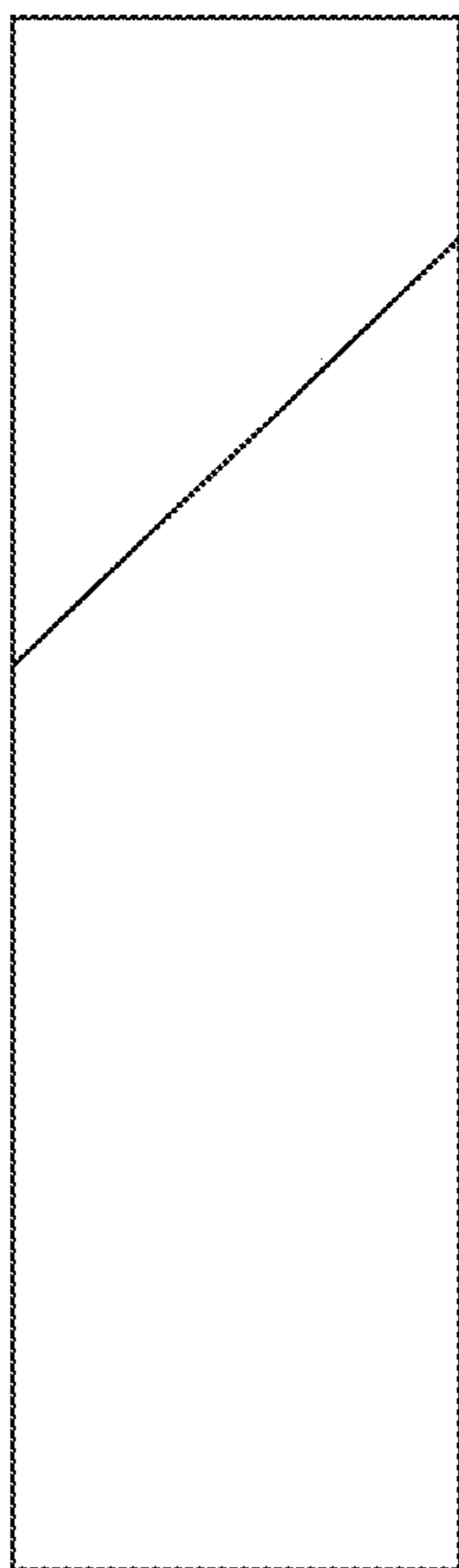


FIGURE 19

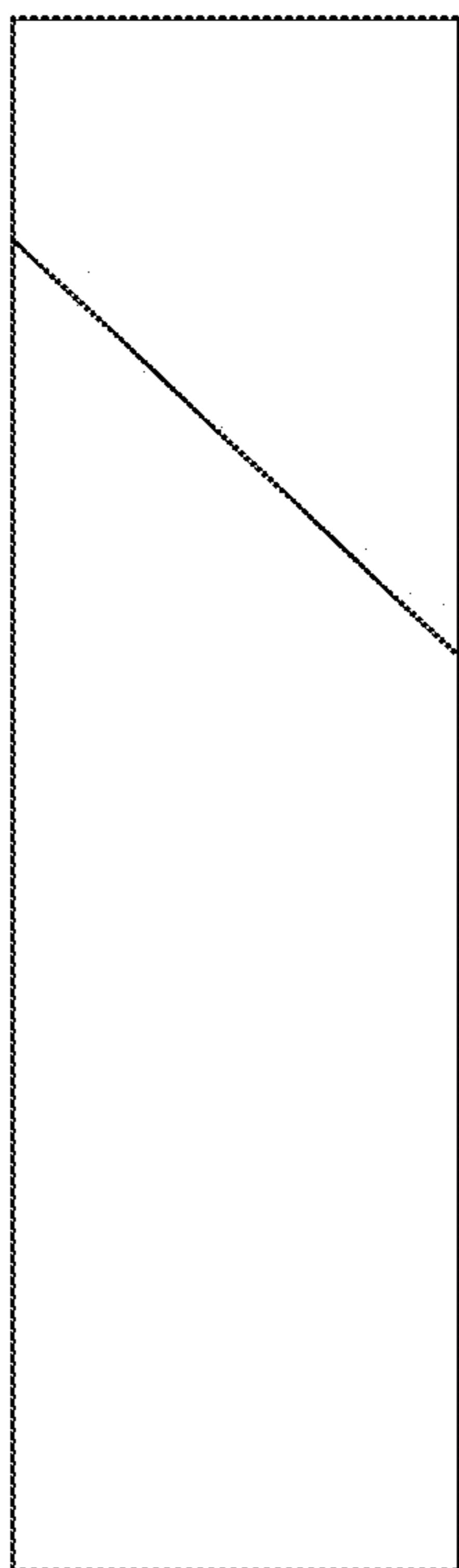


FIGURE 20

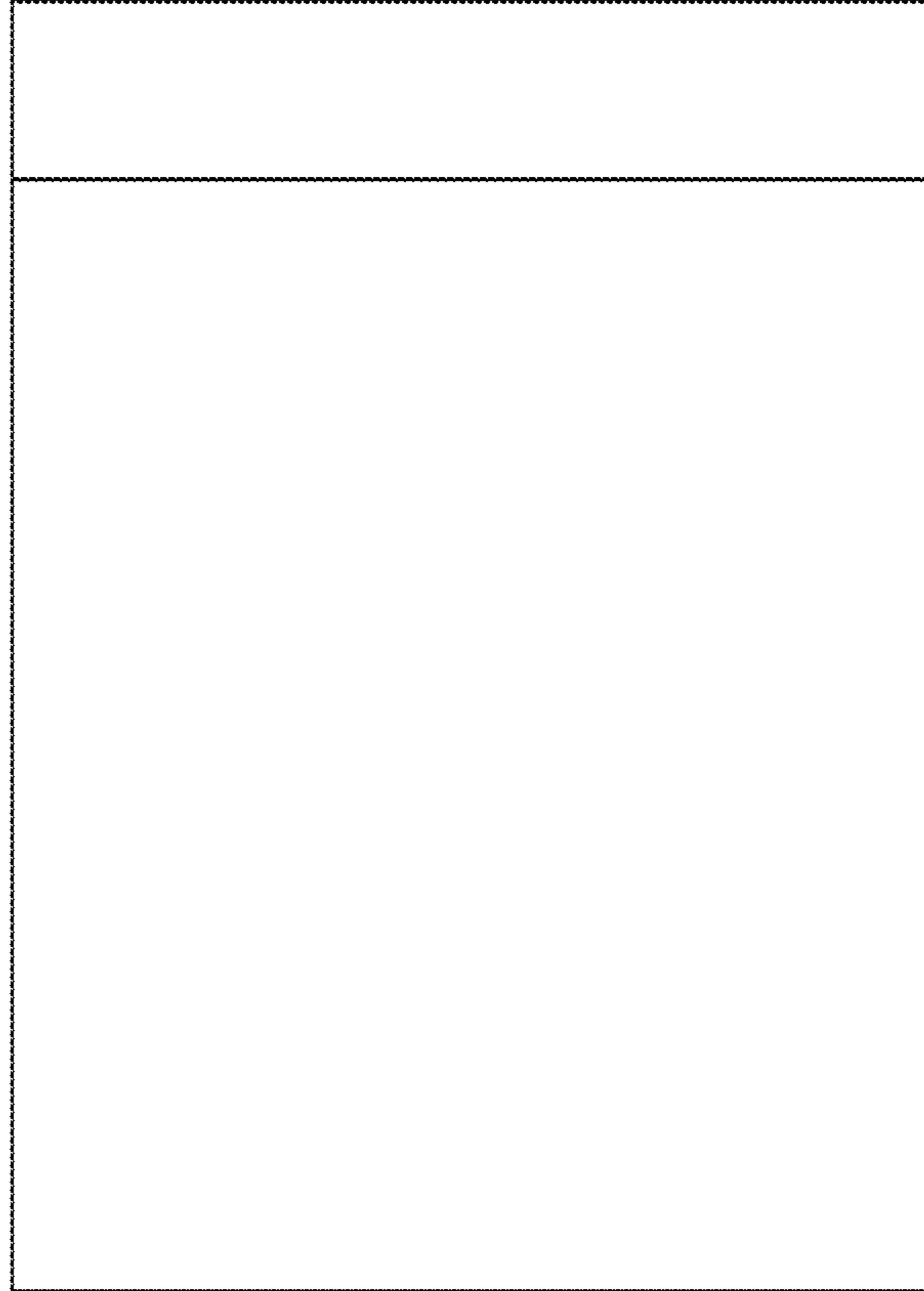


FIGURE 21

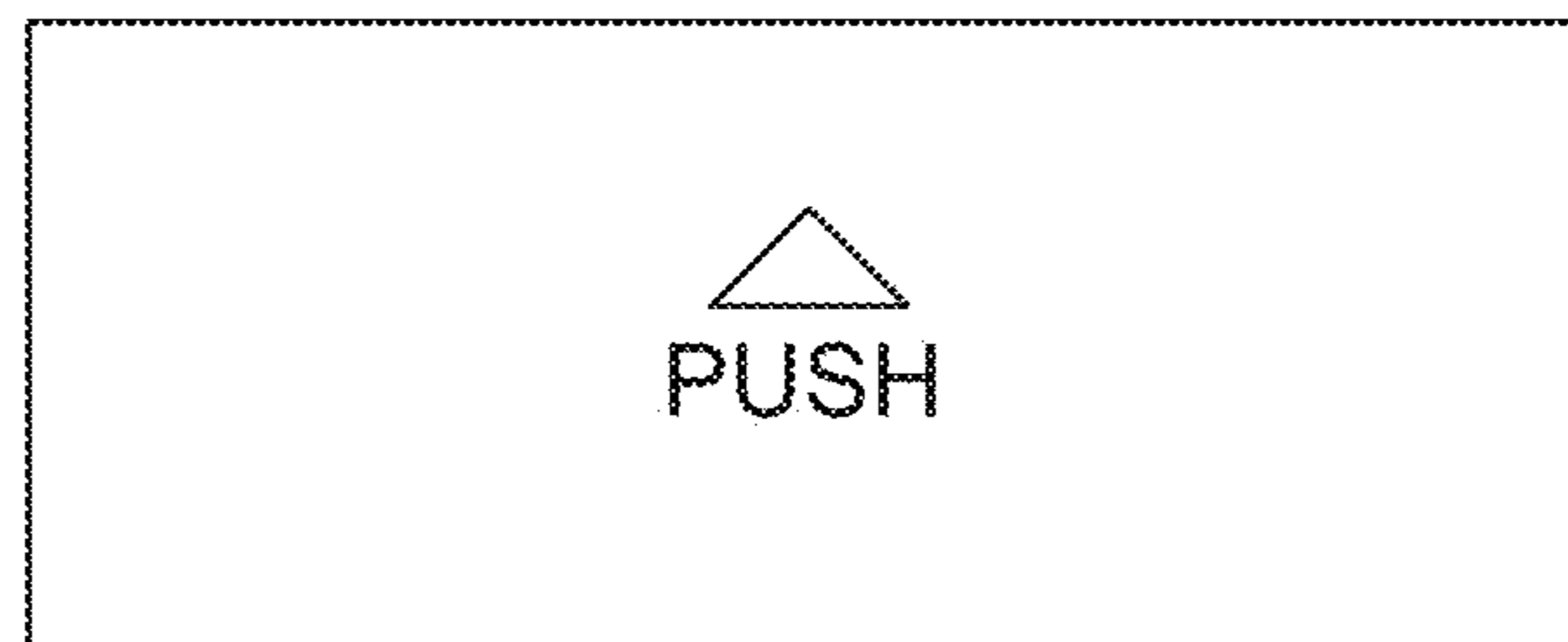


FIGURE 22

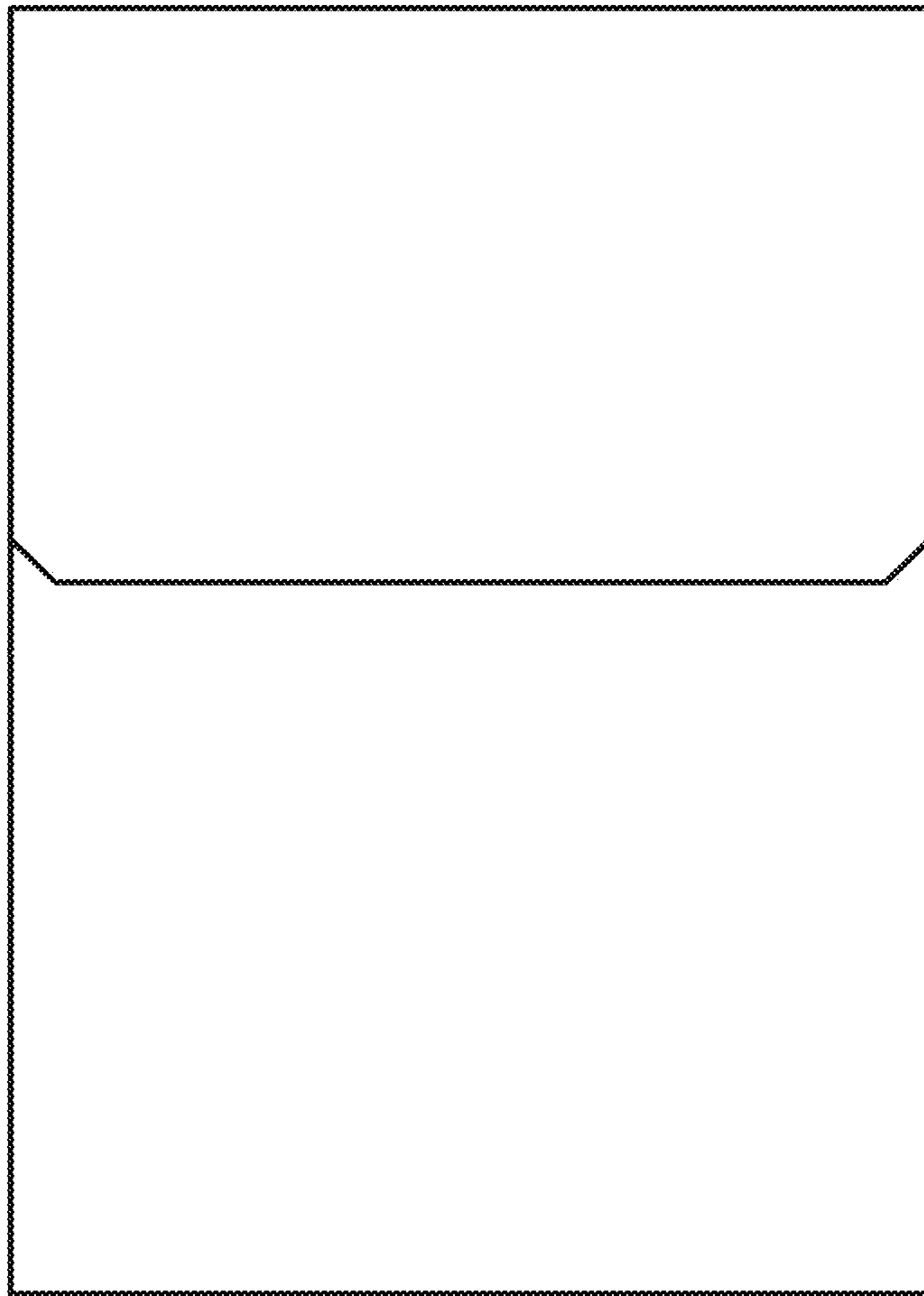


FIGURE 23

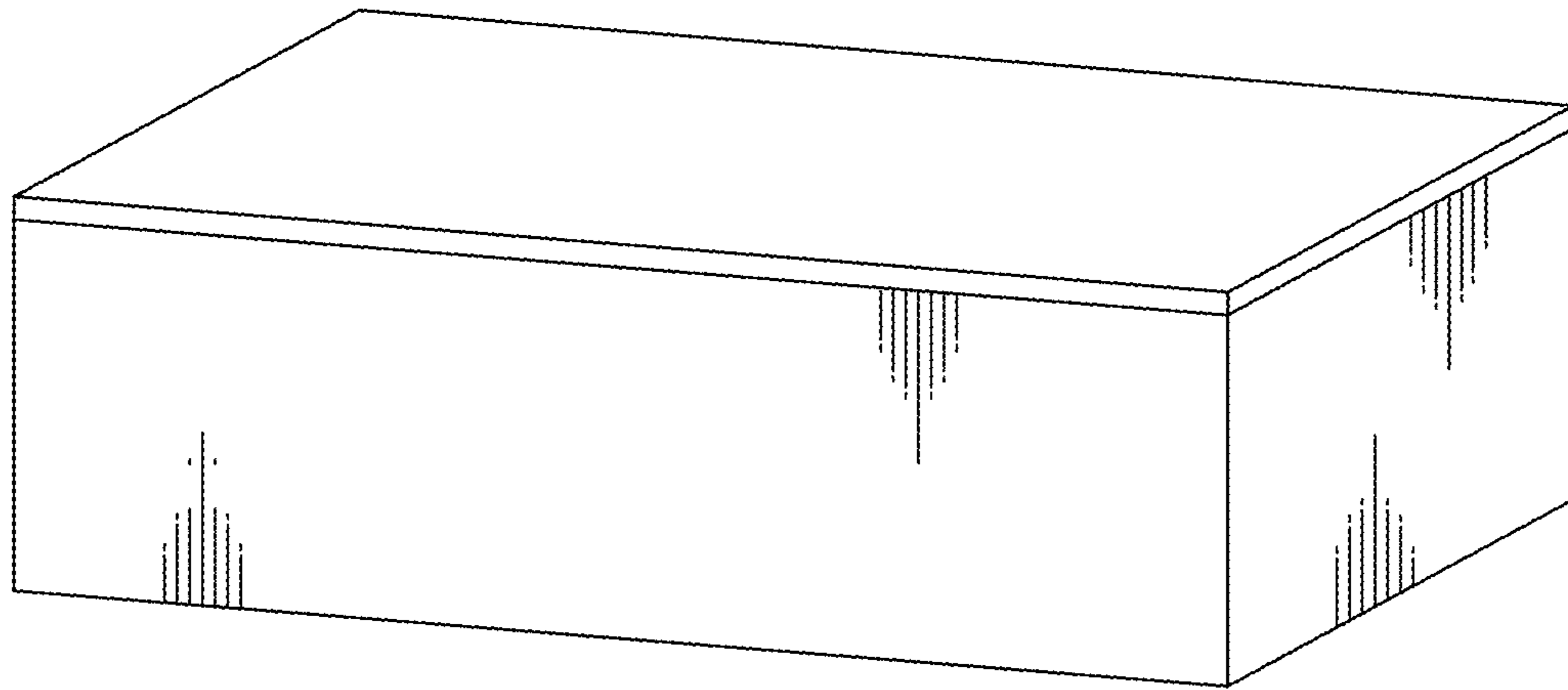


FIGURE 24

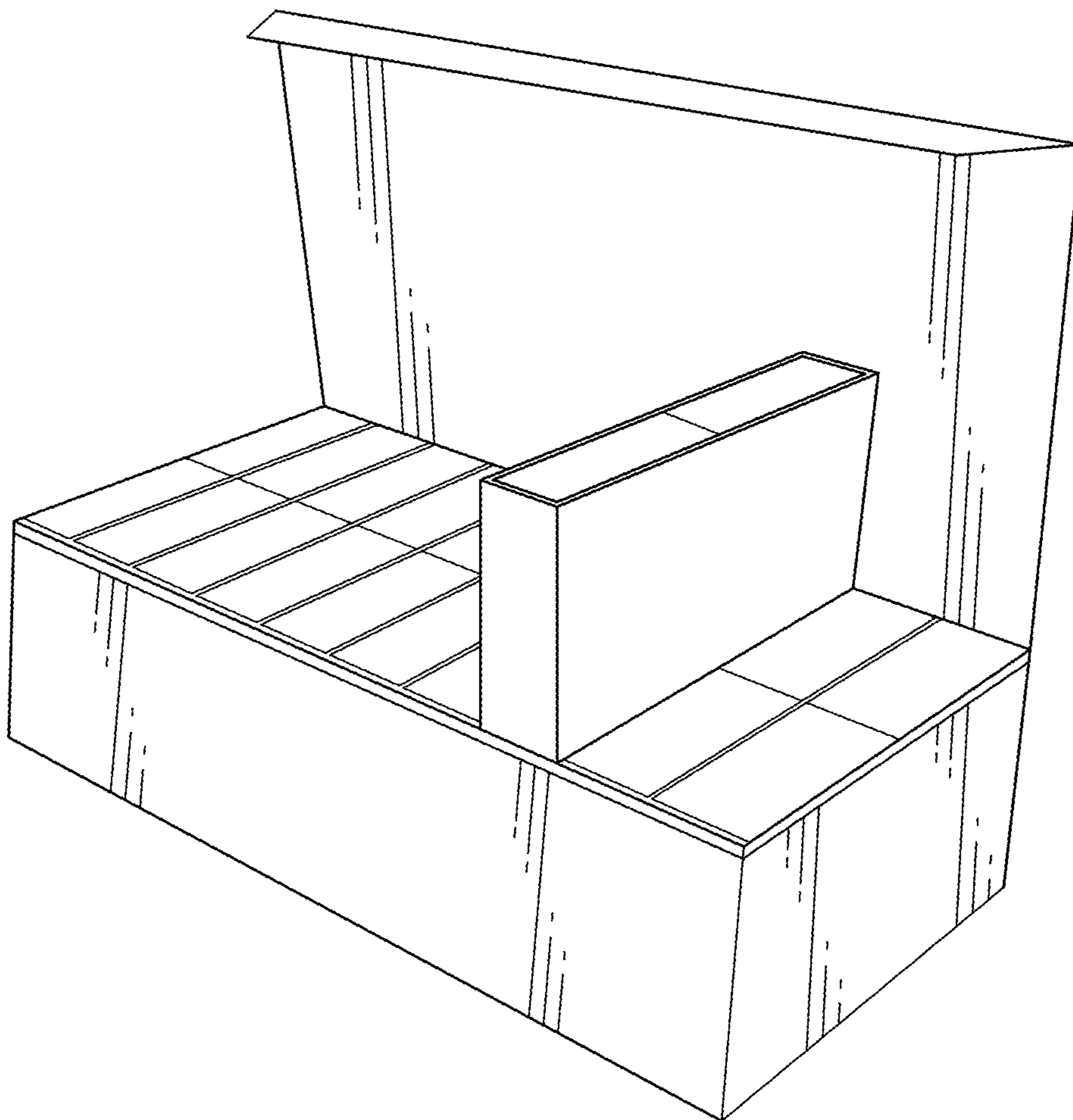


FIGURE 25

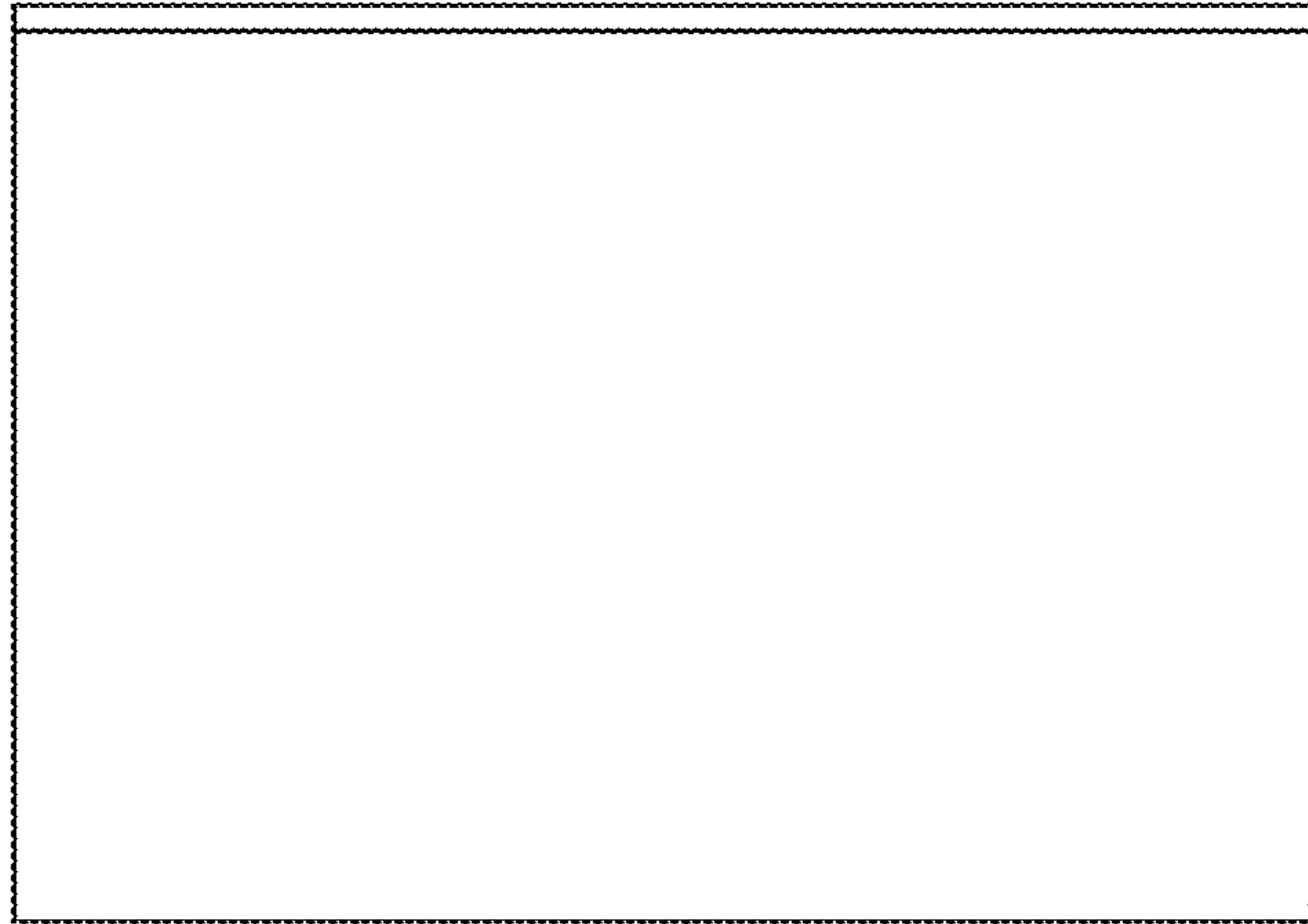


FIGURE 26

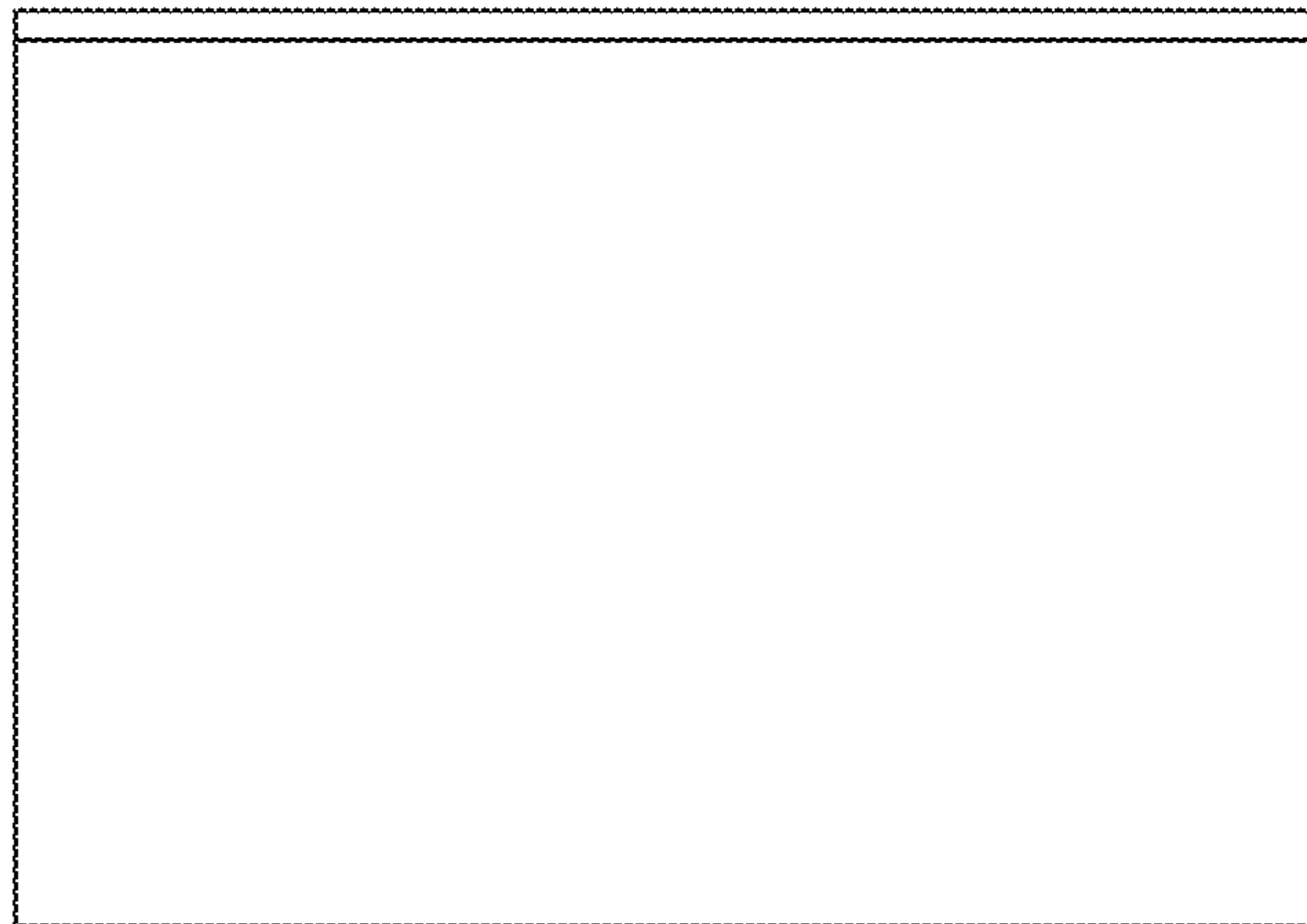


FIGURE 27

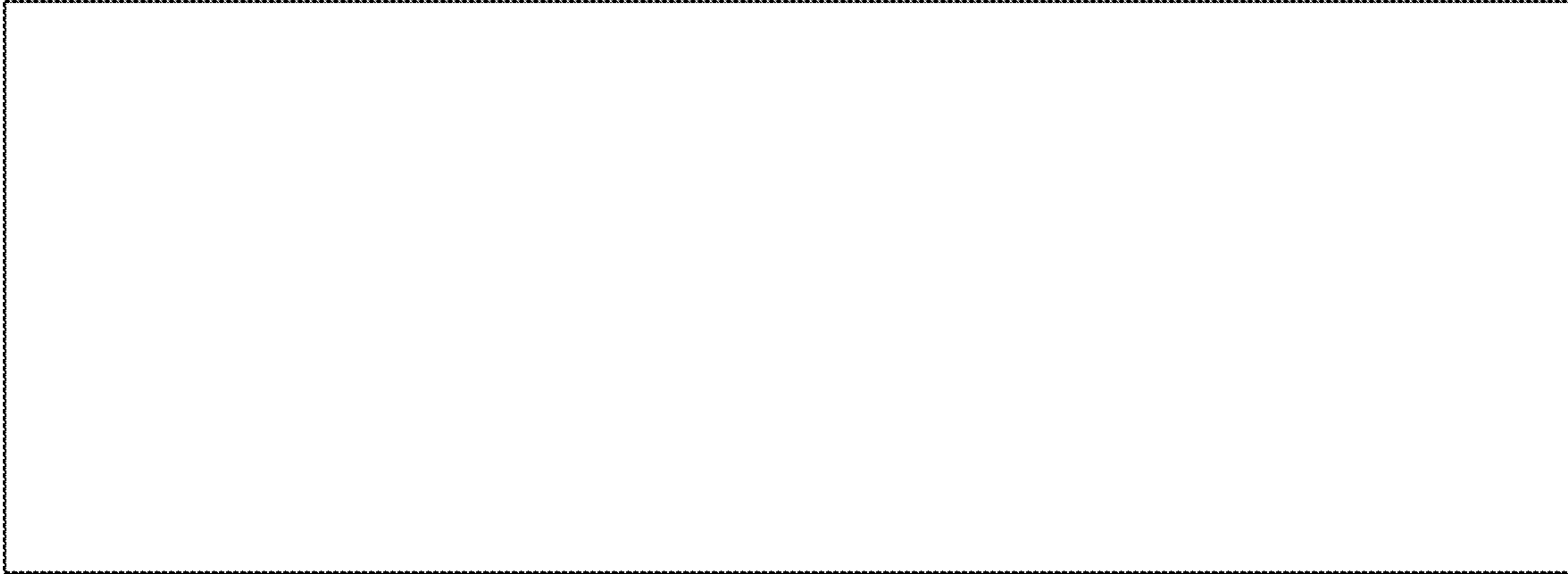


FIGURE 28



FIGURE 29

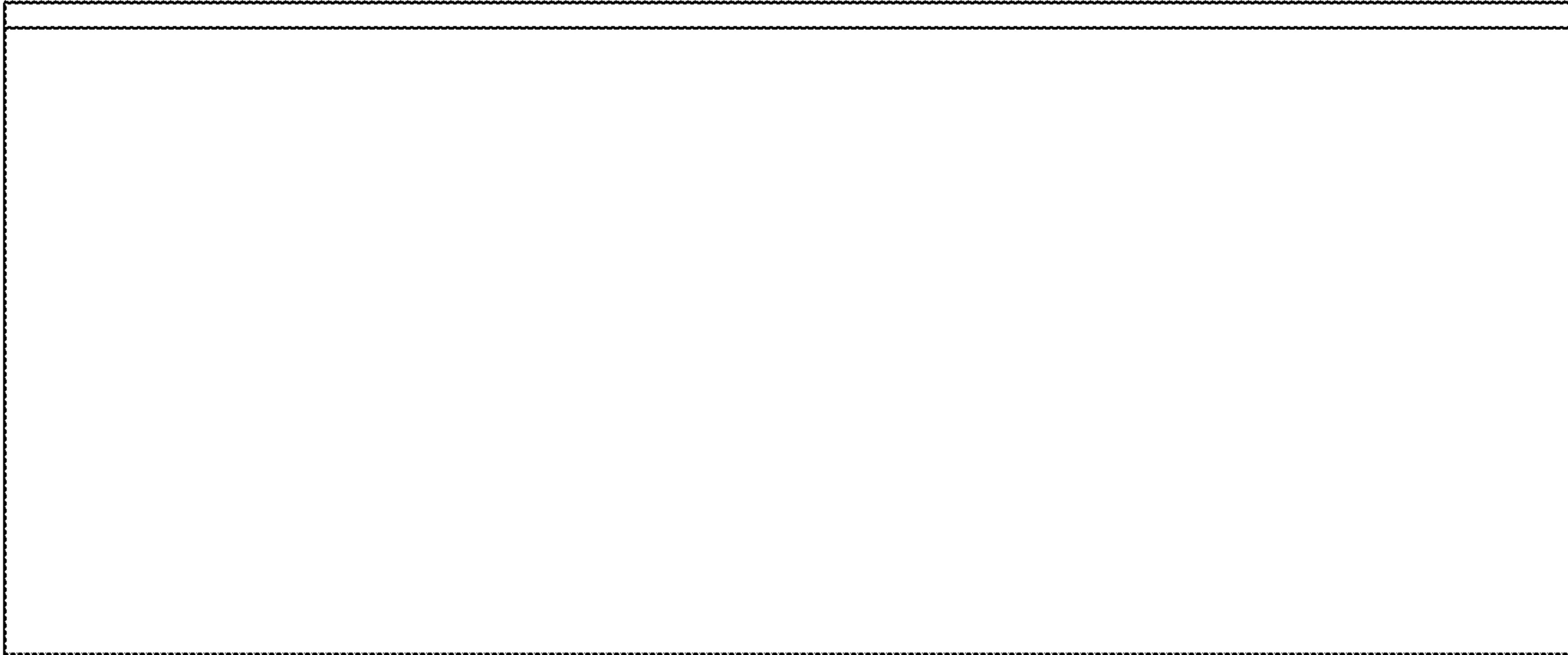


FIGURE 30

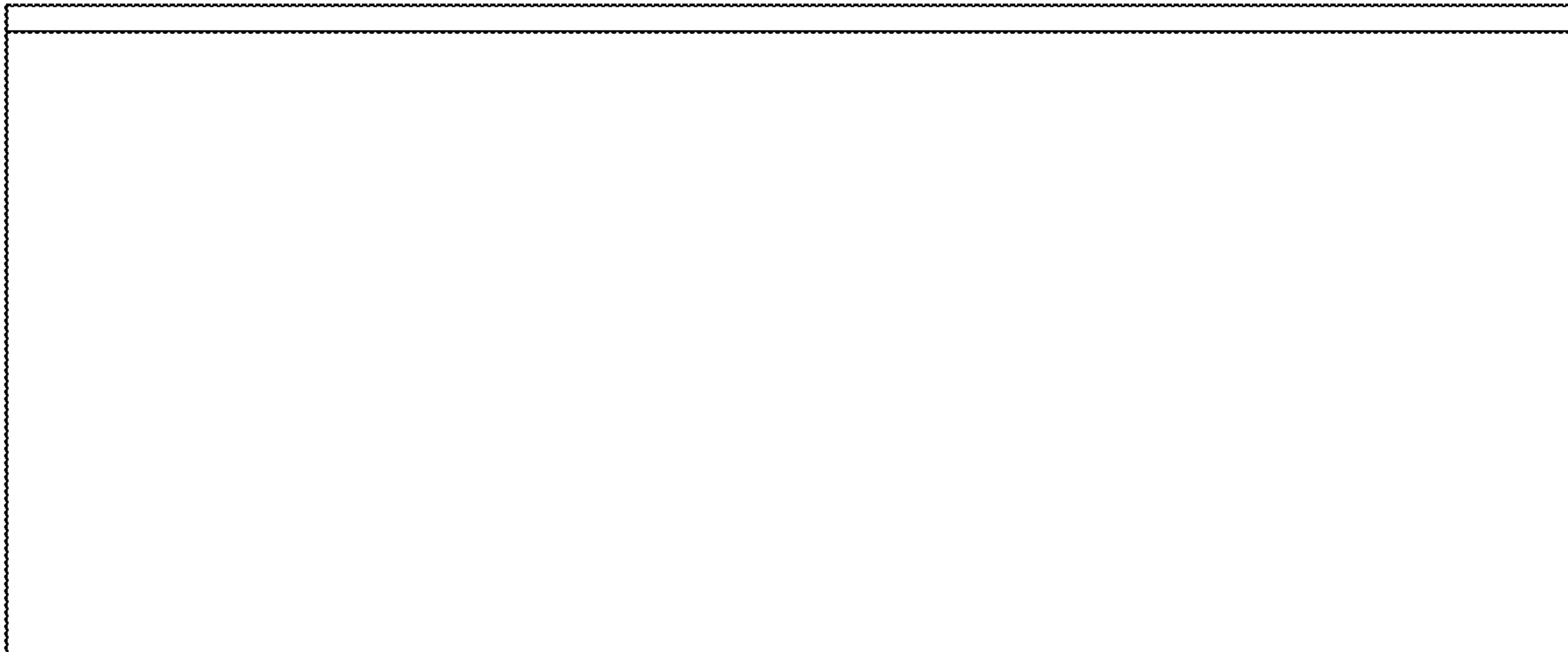


FIGURE 31

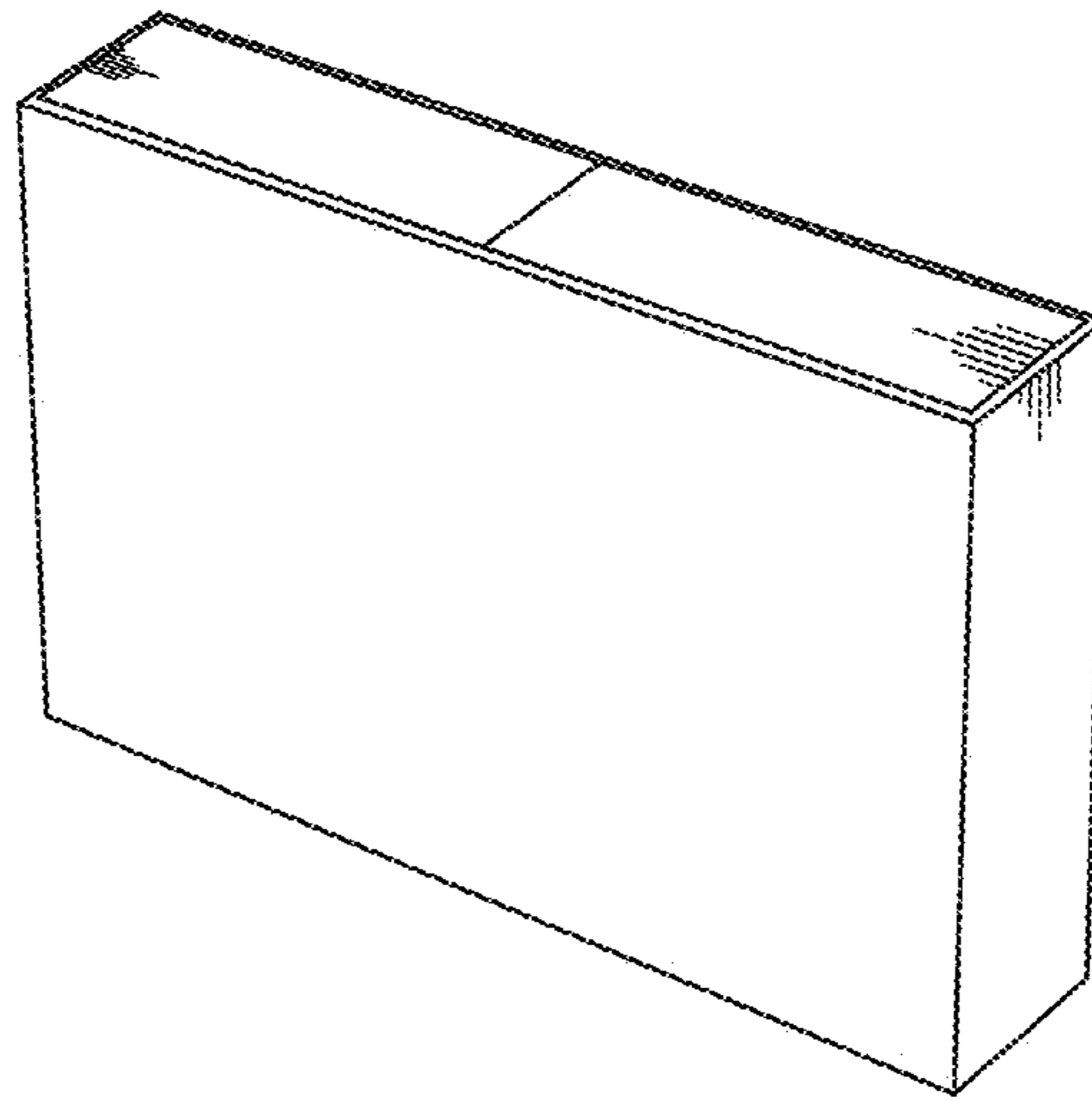


FIGURE 32

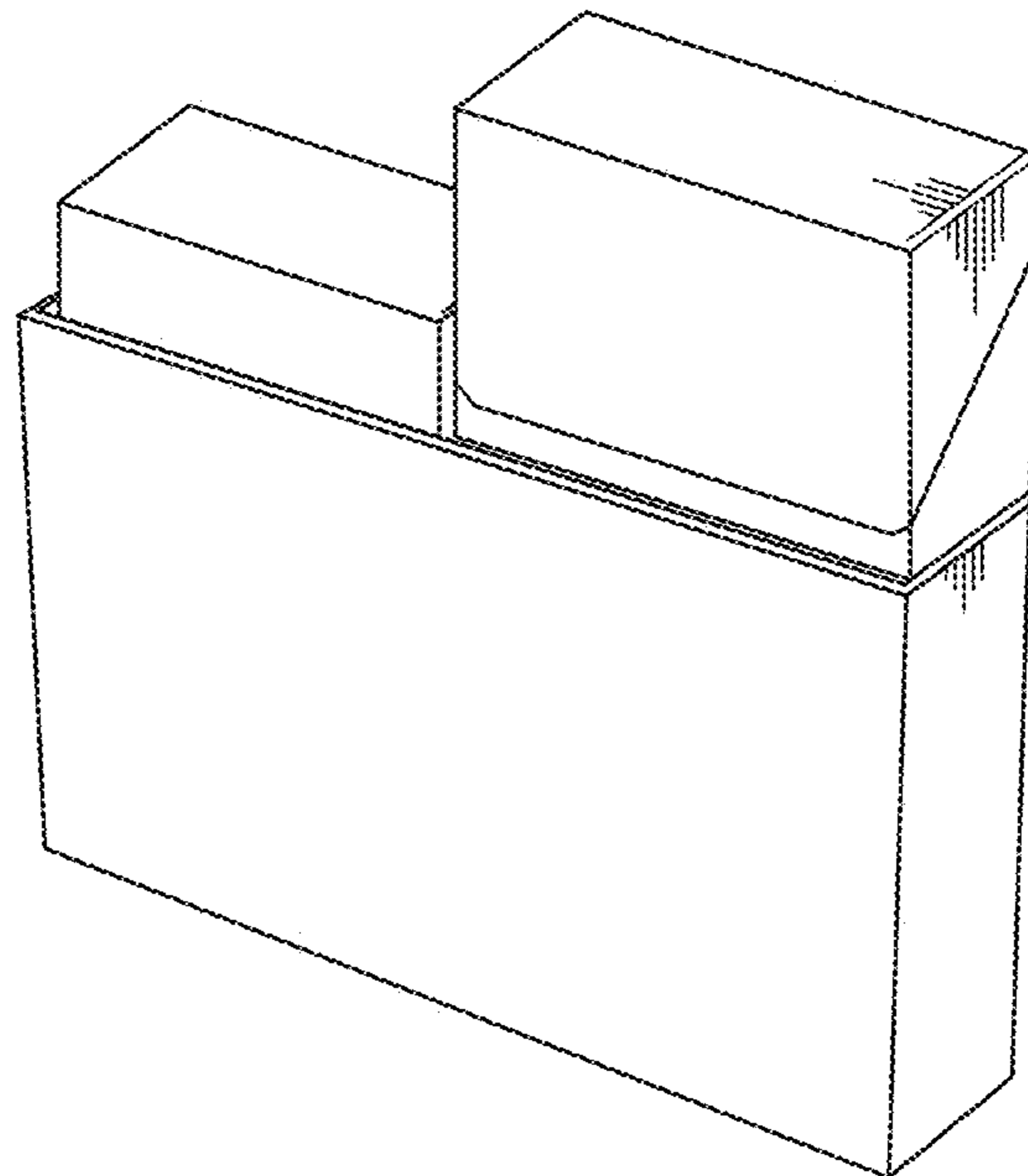


FIGURE 33

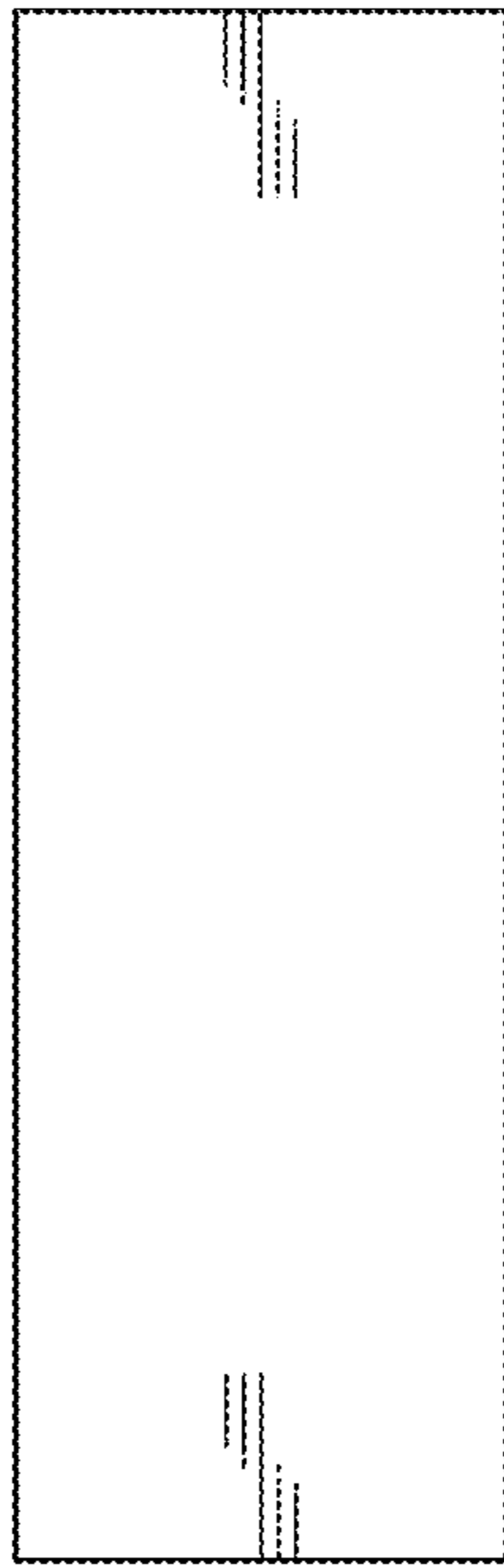


FIGURE 34

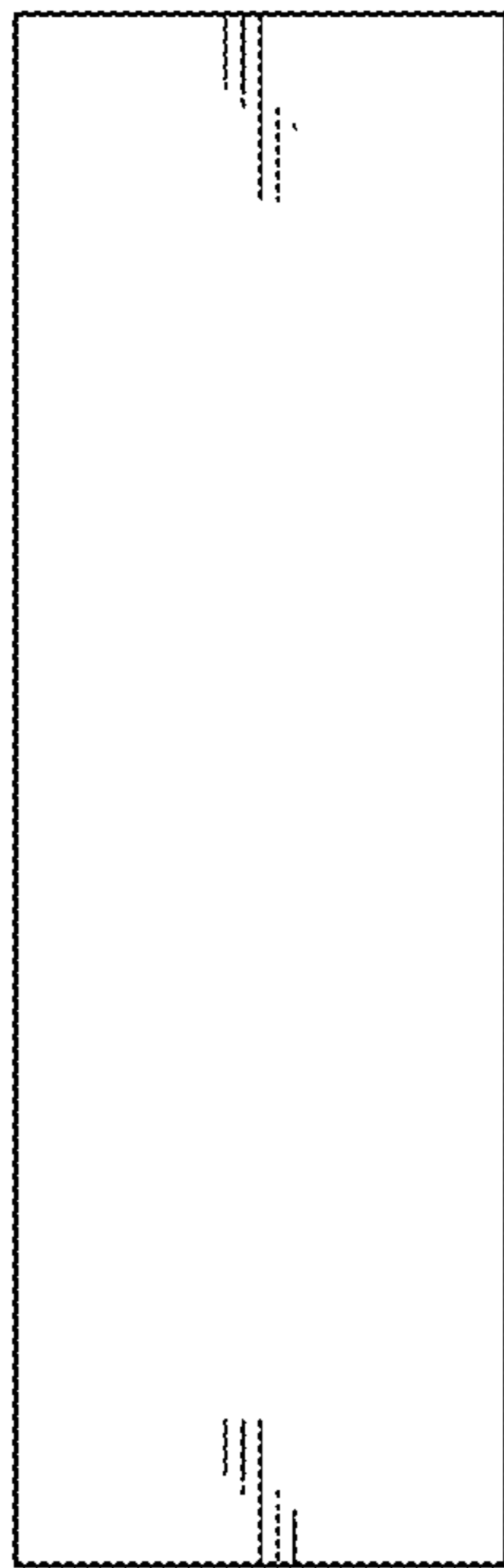


FIGURE 35

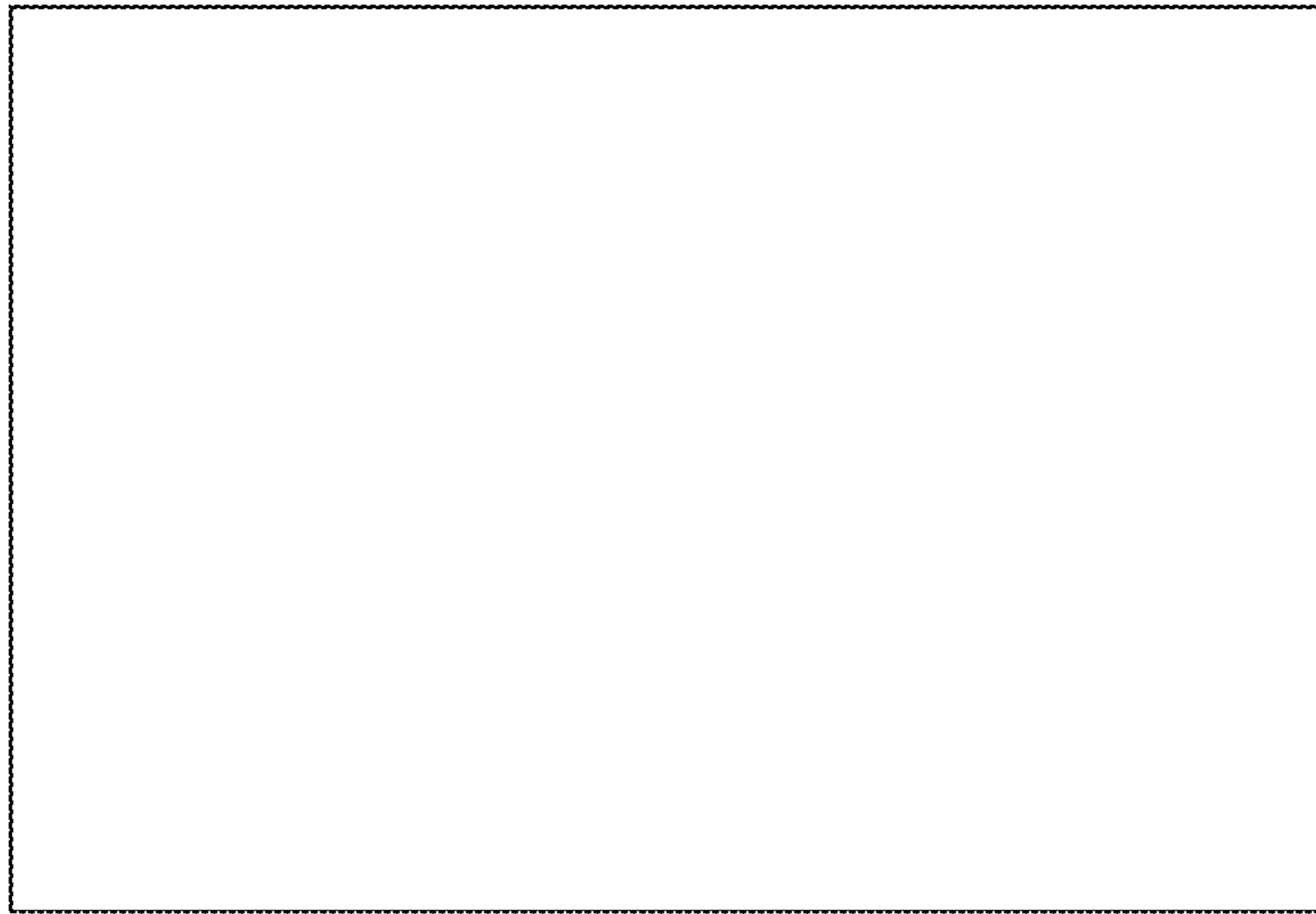


FIGURE 36

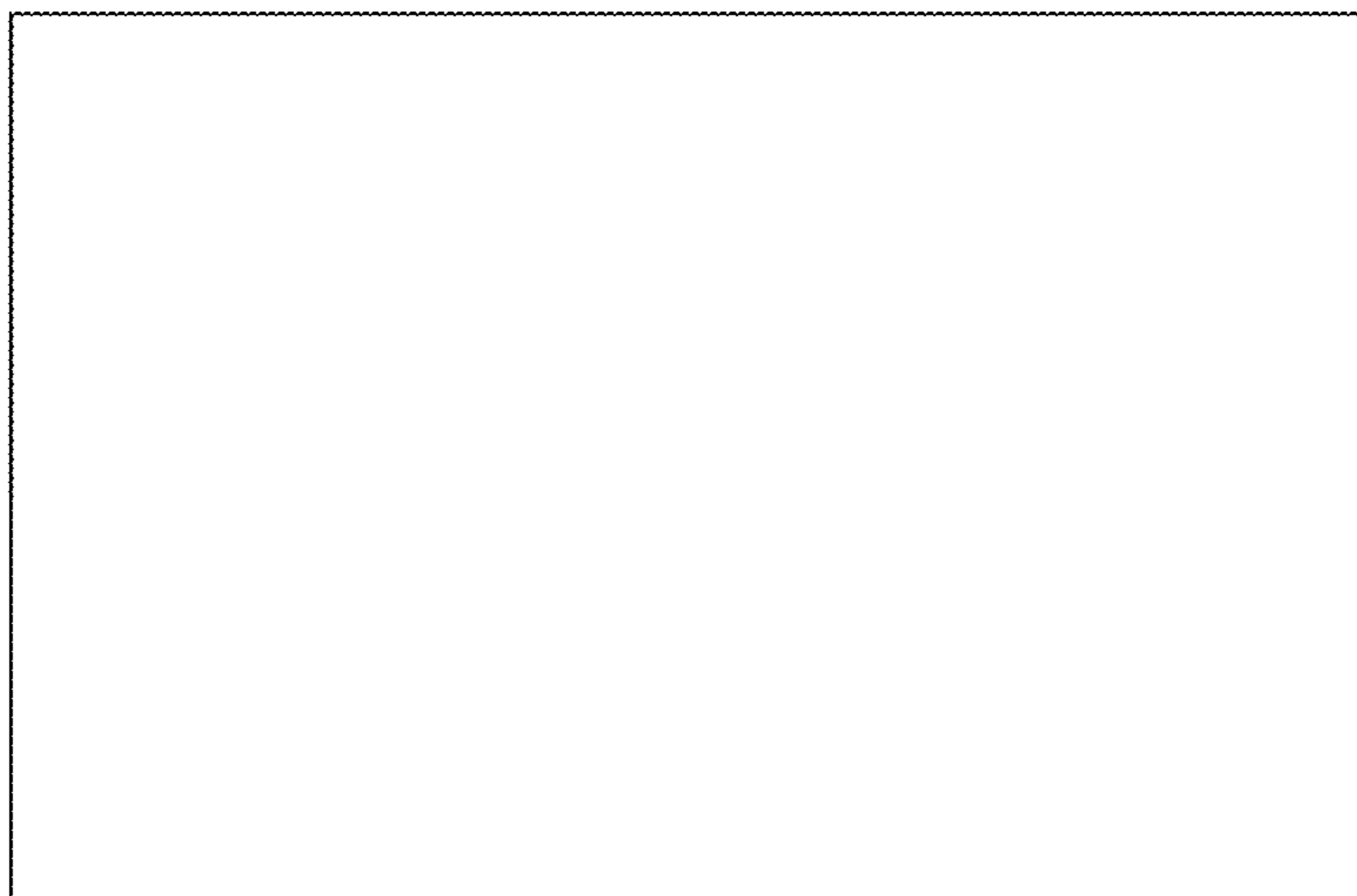


FIGURE 37

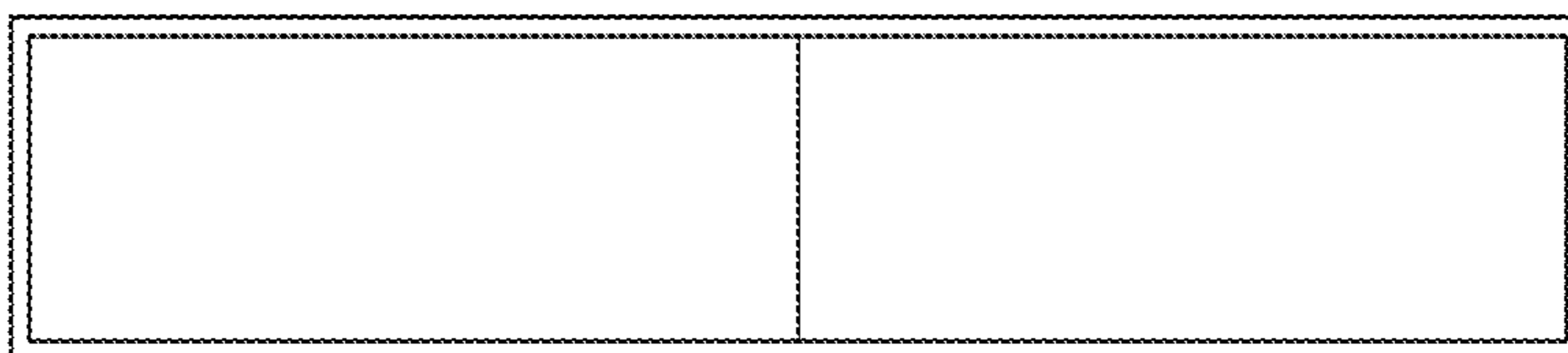


FIGURE 38

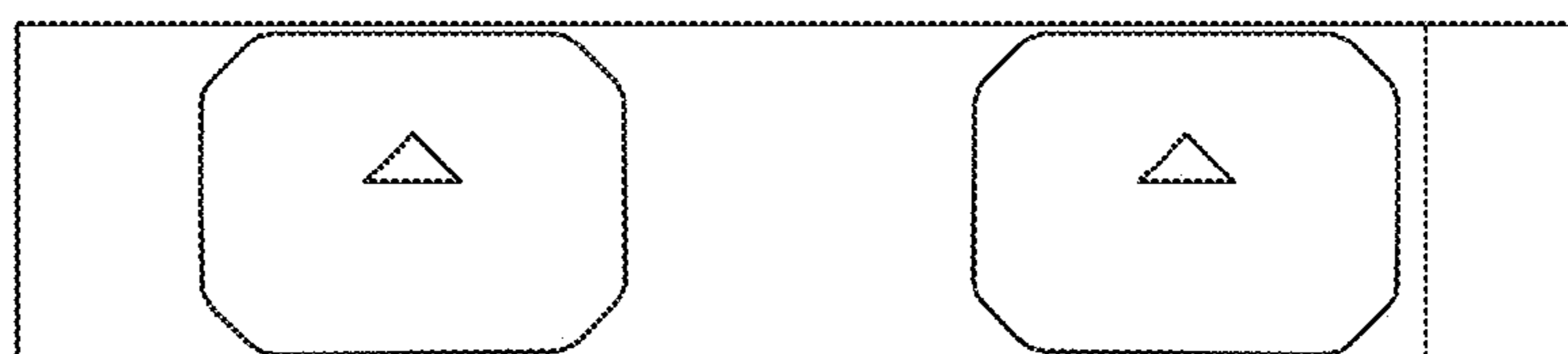


FIGURE 39

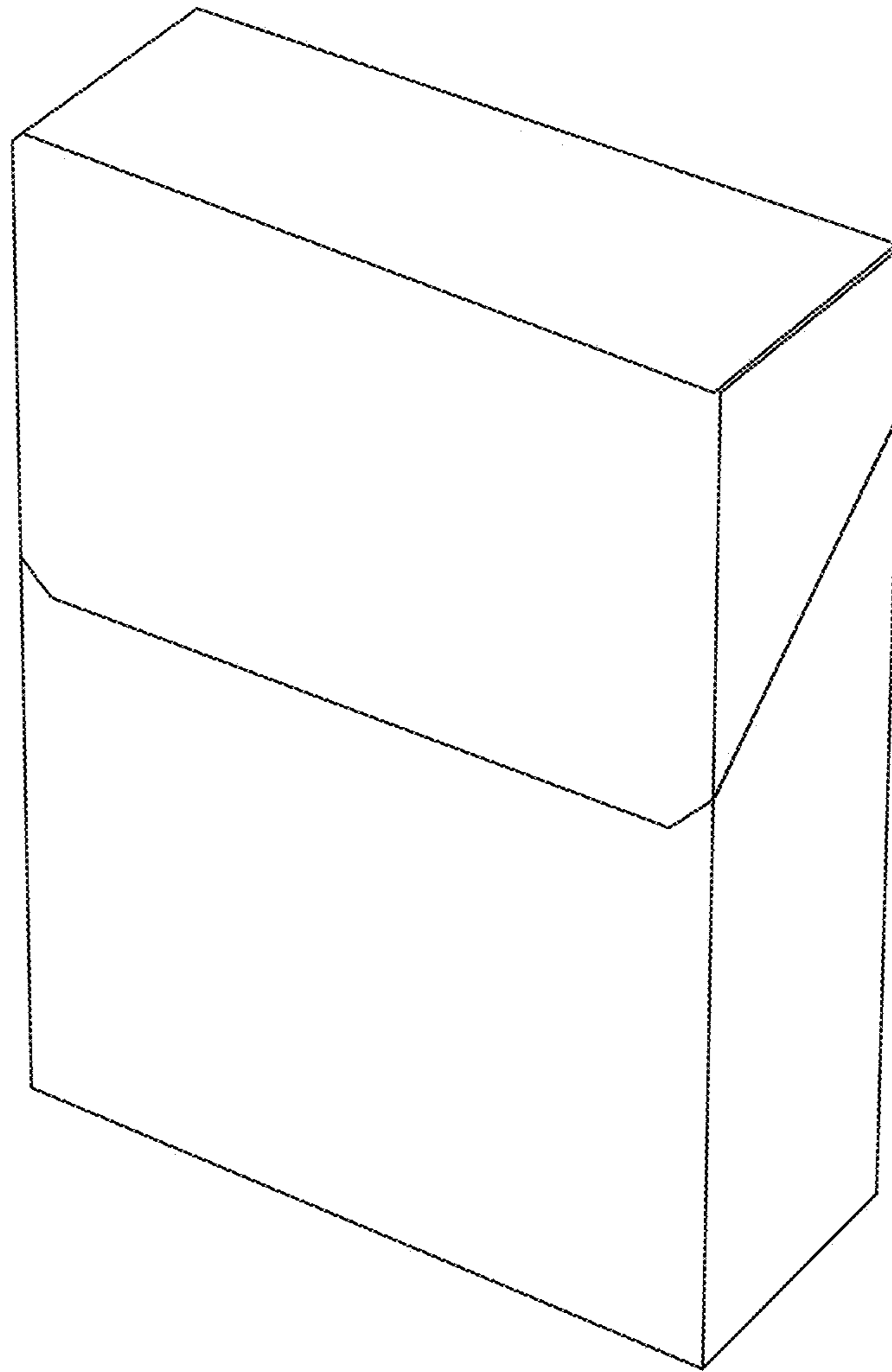


FIGURE 40



FIGURE 41

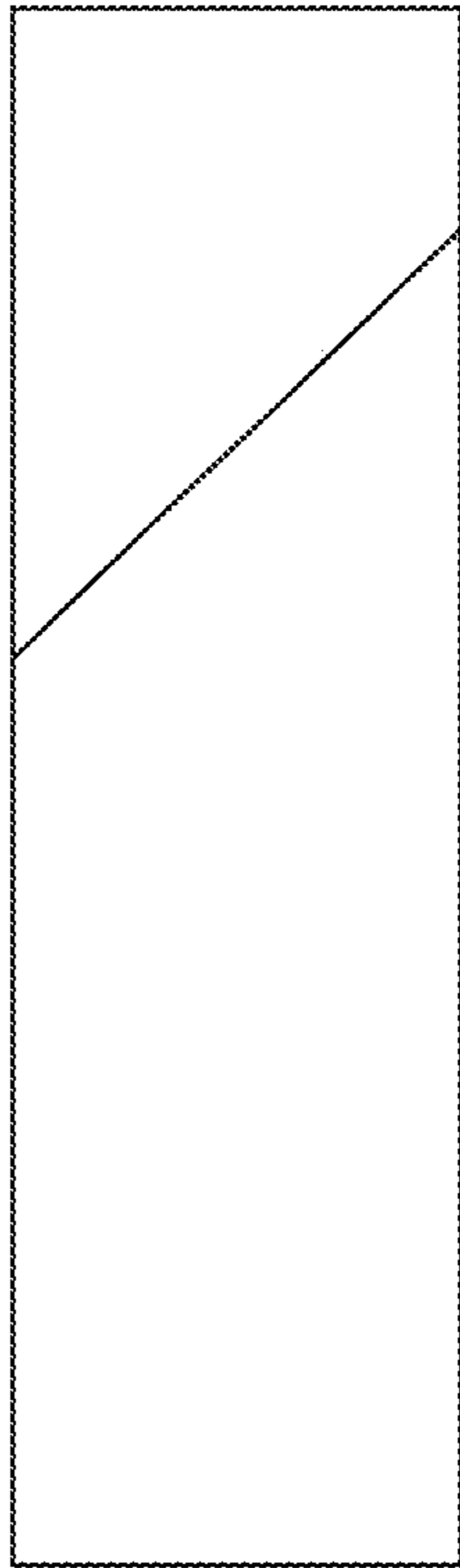


FIGURE 42

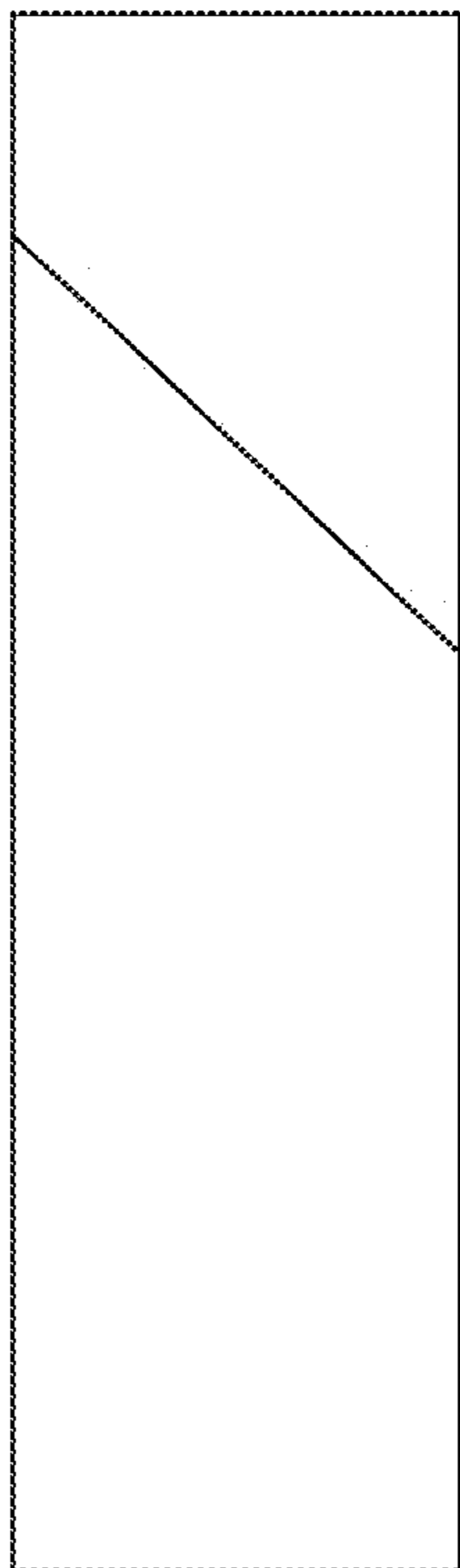


FIGURE 43

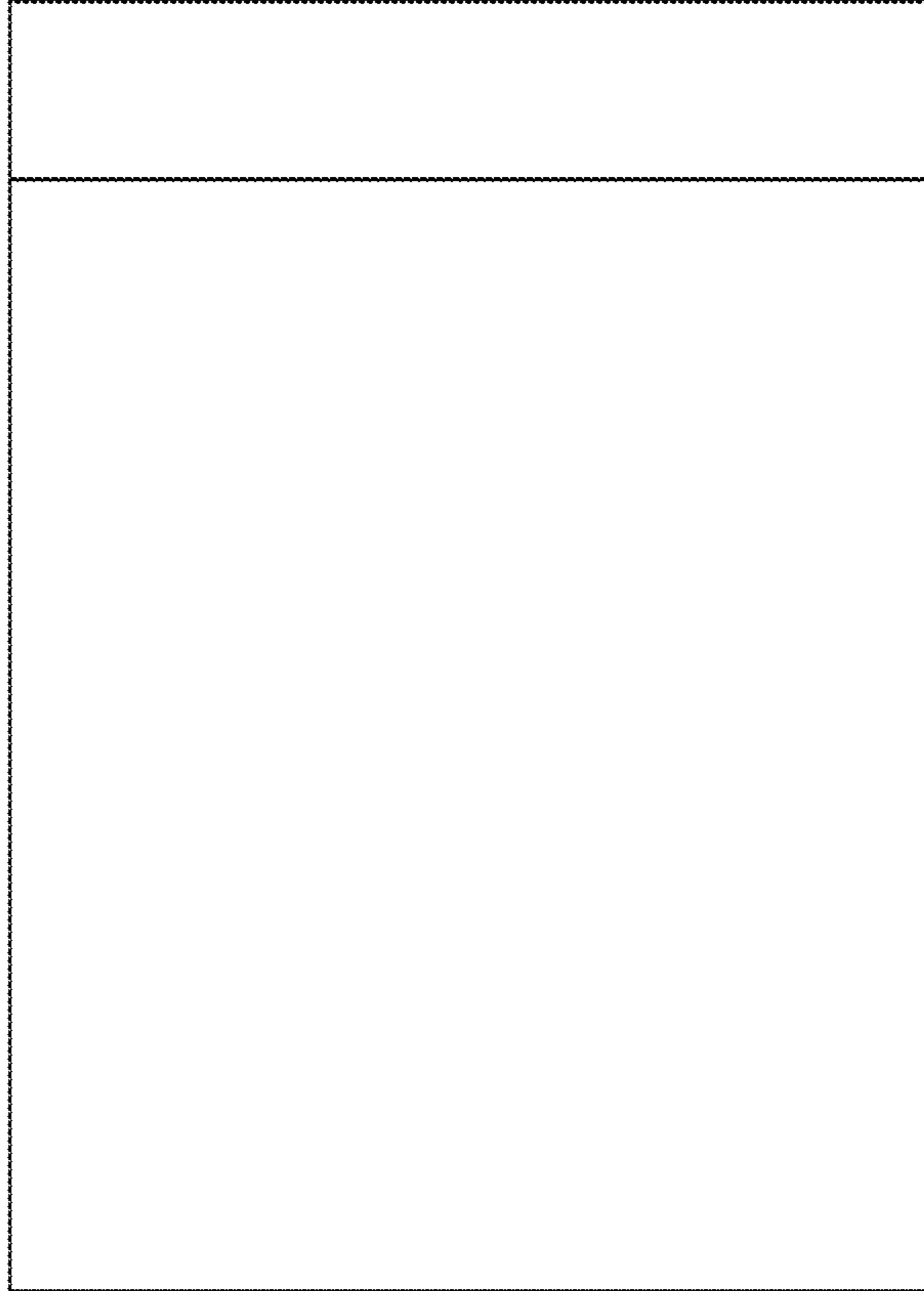


FIGURE 44

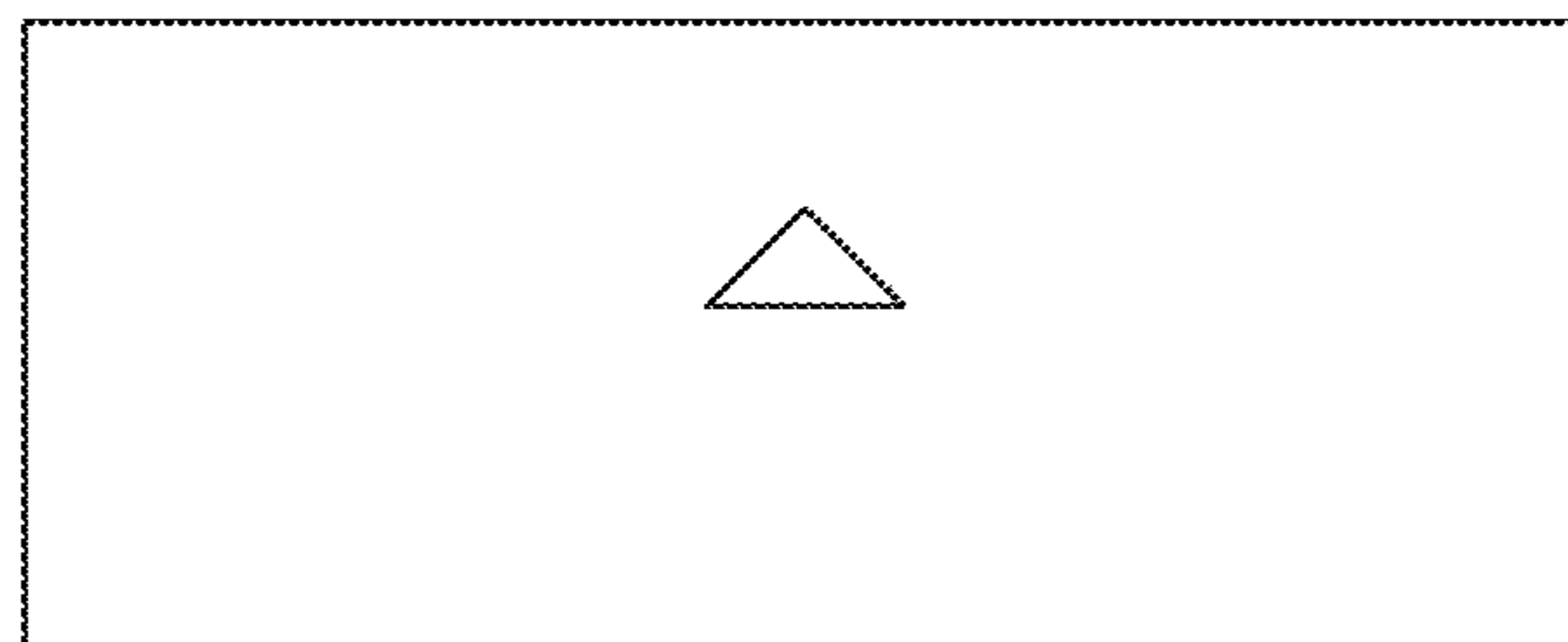


FIGURE 45

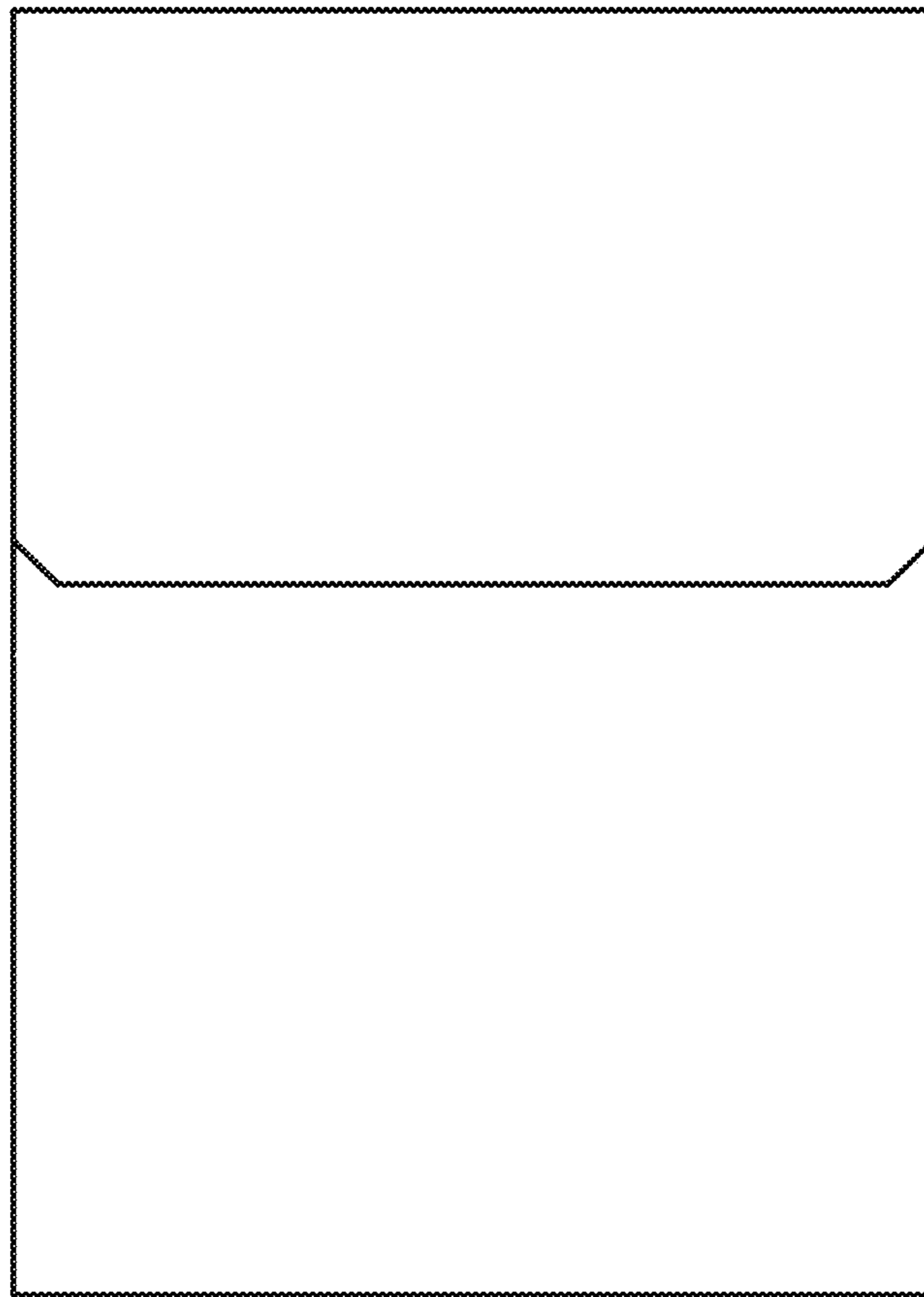


FIGURE 46