



US00D918029S

(12) **United States Design Patent** (10) **Patent No.:** **US D918,029 S**
Reaux (45) **Date of Patent:** **** May 4, 2021**

(54) **CANNABIS SMOKING ARTICLE AND PACKAGING**
(71) Applicant: **Brian K. Reaux**, Red Oak, TX (US)
(72) Inventor: **Brian K. Reaux**, Red Oak, TX (US)
(73) Assignee: **Brian K Reaux**, Red Oak, TX (US)
(**) Term: **15 Years**

D304,679 S * 11/1989 Corella D9/734
D305,000 S * 12/1989 Hernandez D9/415
D317,867 S * 7/1991 Platte D9/415
D357,626 S * 4/1995 Snow D9/415
D368,027 S * 3/1996 Baker D9/415
D400,435 S * 11/1998 Appelbaum D9/415
5,904,263 A * 5/1999 St. Pierre B65D 1/30
220/23.4
6,070,723 A * 6/2000 Lewis B65D 75/322
206/335

(Continued)

(21) Appl. No.: **29/651,210**
(22) Filed: **Feb. 18, 2018**
(51) **LOC (13) Cl.** **09-03**
(52) **U.S. Cl.**
USPC **D9/415**
(58) **Field of Classification Search**
USPC D9/414, 415, 416, 418, 420, 424, 425,
D9/426, 432, 457, 643, 22, 732, 737,
D9/756; D27/101, 172, 180, 186-193
CPC B65D 5/4202; B65D 5/4725; B65D 5/427;
B65D 85/00; B65D 85/28; B65D 25/54;
B65D 21/4204; B65D 21/0227; B65D
21/0206; B65D 2575/3281; B65D 1/00;
B65D 1/02; B65D 1/10; B65D 1/30;
B65D 1/46; B65D 75/527
See application file for complete search history.

OTHER PUBLICATIONS

U.S. Appl. No. 29/505,915, filed Apr. 7, 2016, B. Reaux.
U.S. Appl. No. 62/390,091, filed Mar. 19, 2016, B. Reaux.
U.S. Appl. No. 15/461,530, filed Mar. 17, 2017, B. Reaux.

Primary Examiner — Wan Laymon
Assistant Examiner — Clint A Samuel

(57) **CLAIM**

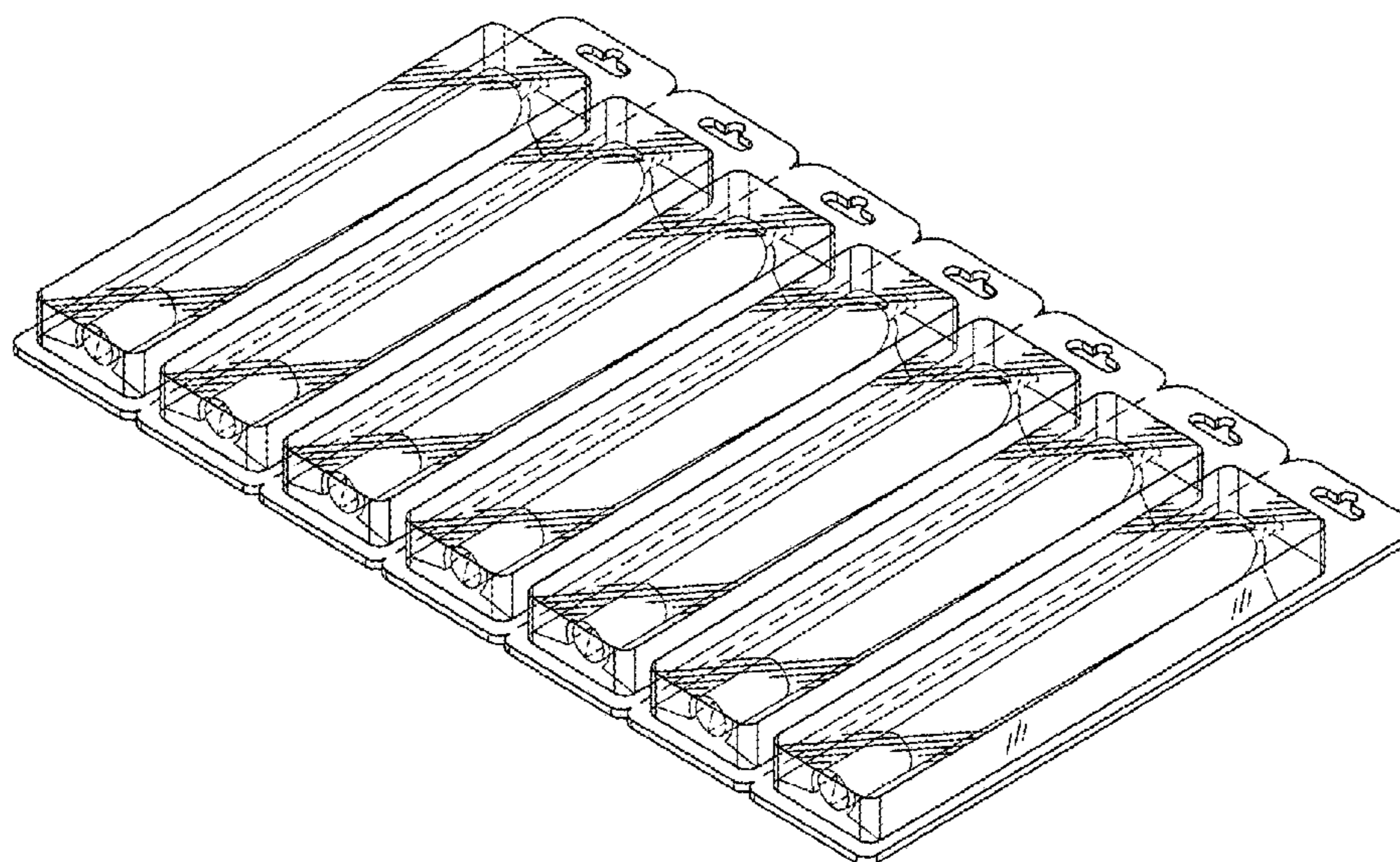
The ornamental design for a cannabis smoking article and packaging, as shown and described.

DESCRIPTION

FIG. 1 is a perspective view of the cannabis smoking article and packaging showing my new design, FIG. 2 is another perspective view thereof, shown one of the individual package is detached; FIG. 3 is a front elevated view thereof; FIG. 4 is another perspective view, showing one of the individual package for ease of illustration; and, FIG. 5 is a back perspective view, showing one of the individual package for ease of illustration. The regular dash lines are included for the purpose of illustrating the perforation between each packaging of the cannabis smoking article and packaging, and is claimed. The remaining broken lines of the cannabis smoking article and packaging form no part of the claimed design.

1 Claim, 3 Drawing Sheets

(56) **References Cited**
U.S. PATENT DOCUMENTS
3,325,000 A * 6/1967 Bryant Edwards B65D 43/12
206/256
3,812,963 A * 5/1974 Zahuranec B65D 75/366
206/468
3,983,999 A * 10/1976 Morton B65D 21/0206
229/120.011
D262,095 S * 12/1981 Takahashi D9/415
D273,765 S * 5/1984 Cillario D9/425
D284,355 S * 6/1986 Knollmeyer D9/415
D288,907 S * 3/1987 Crawford D9/415
D289,014 S * 3/1987 Crawford D9/415



(56)

References Cited

U.S. PATENT DOCUMENTS

D478,810	S	*	8/2003	Wilson	D9/415
D479,126	S	*	9/2003	Kumakura	D9/415
D482,970	S	*	12/2003	Kumakura	D9/415
D548,618	S	*	8/2007	Ferguson	D9/715
D599,654	S	*	9/2009	Kosaka	D9/415
D719,037	S	*	12/2014	Tsai	D19/86
D735,055	S	*	7/2015	Fisher	D9/722
D761,664	S	*	7/2016	Rodriguez	D9/732
D779,339	S	*	2/2017	Stronski	D9/457
D791,585	S	*	7/2017	Stronski	D9/415
D804,297	S	*	12/2017	Weinzen, Jr.	D9/415
D813,028	S	*	3/2018	Saito	D9/415
D855,478	S	*	8/2019	Vorobej	D9/756

* cited by examiner

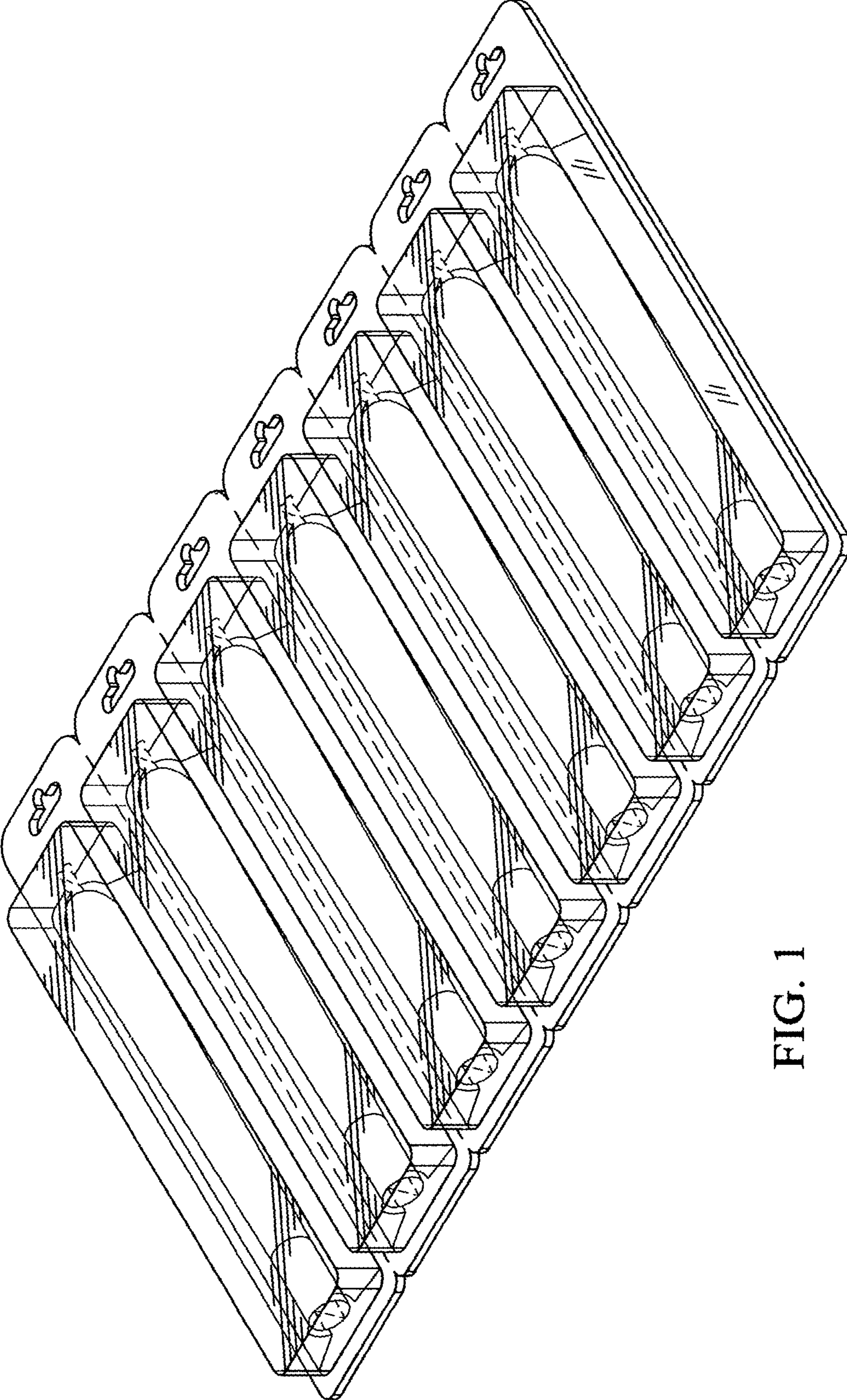


FIG. 1

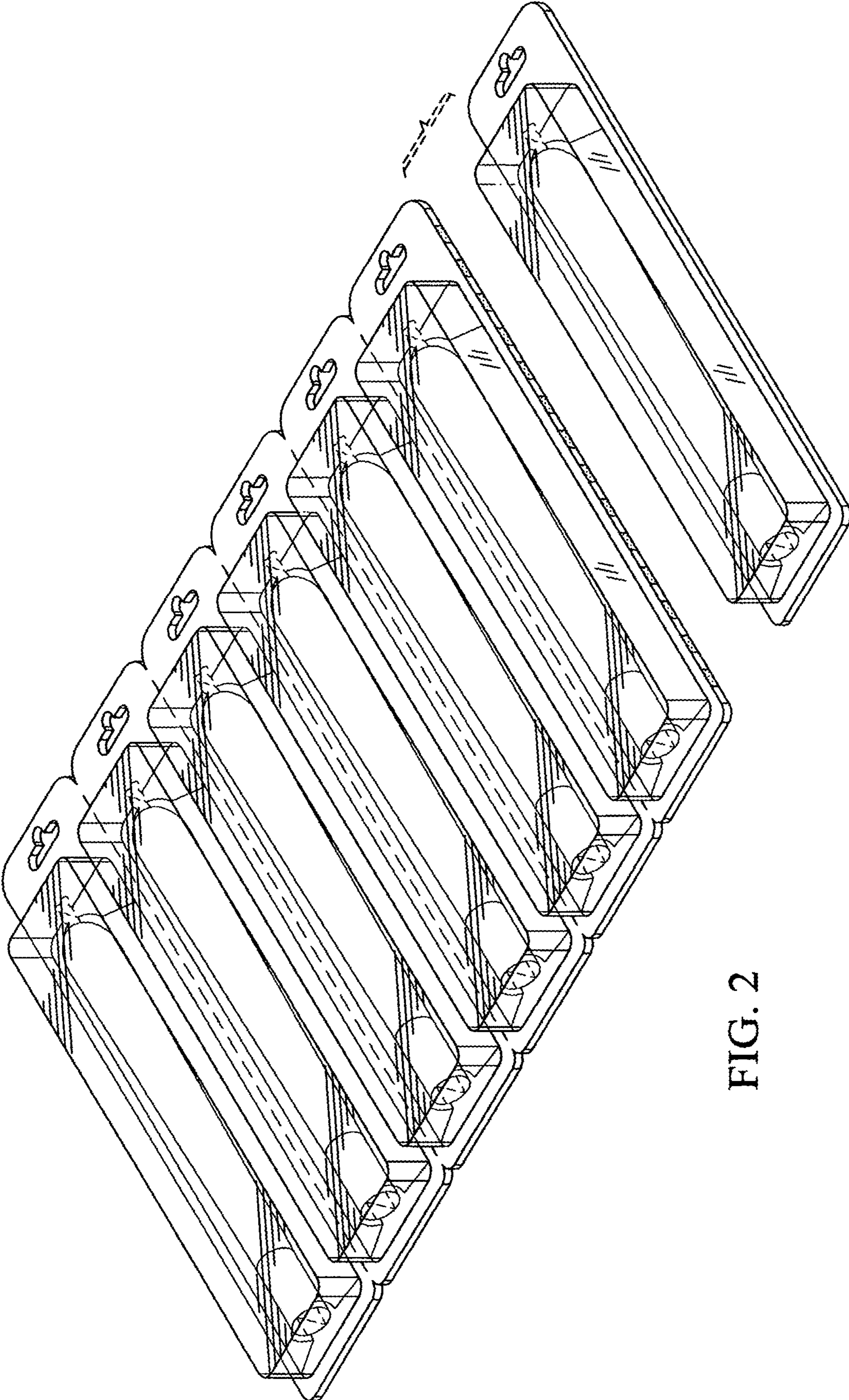


FIG. 2

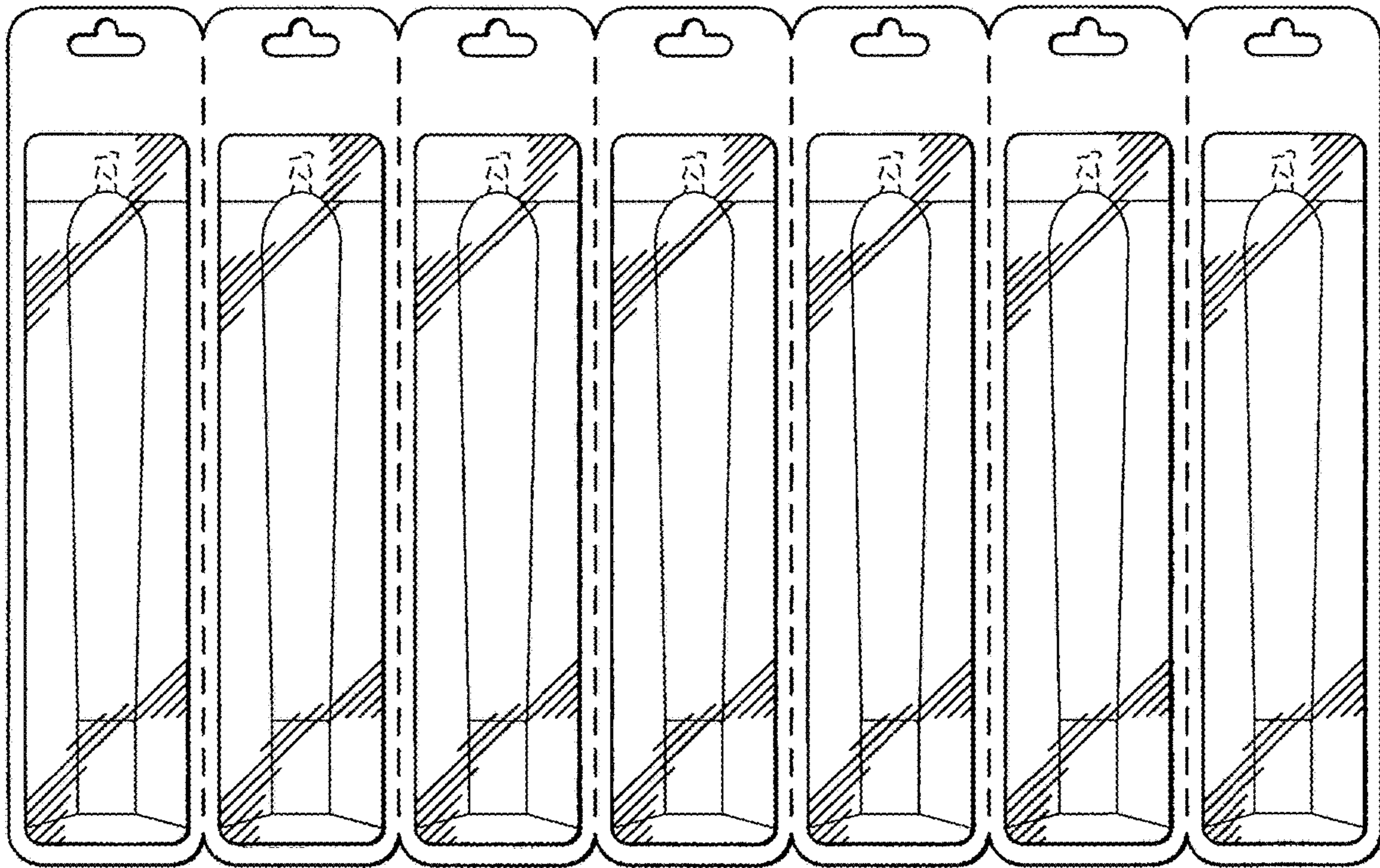


FIG. 3

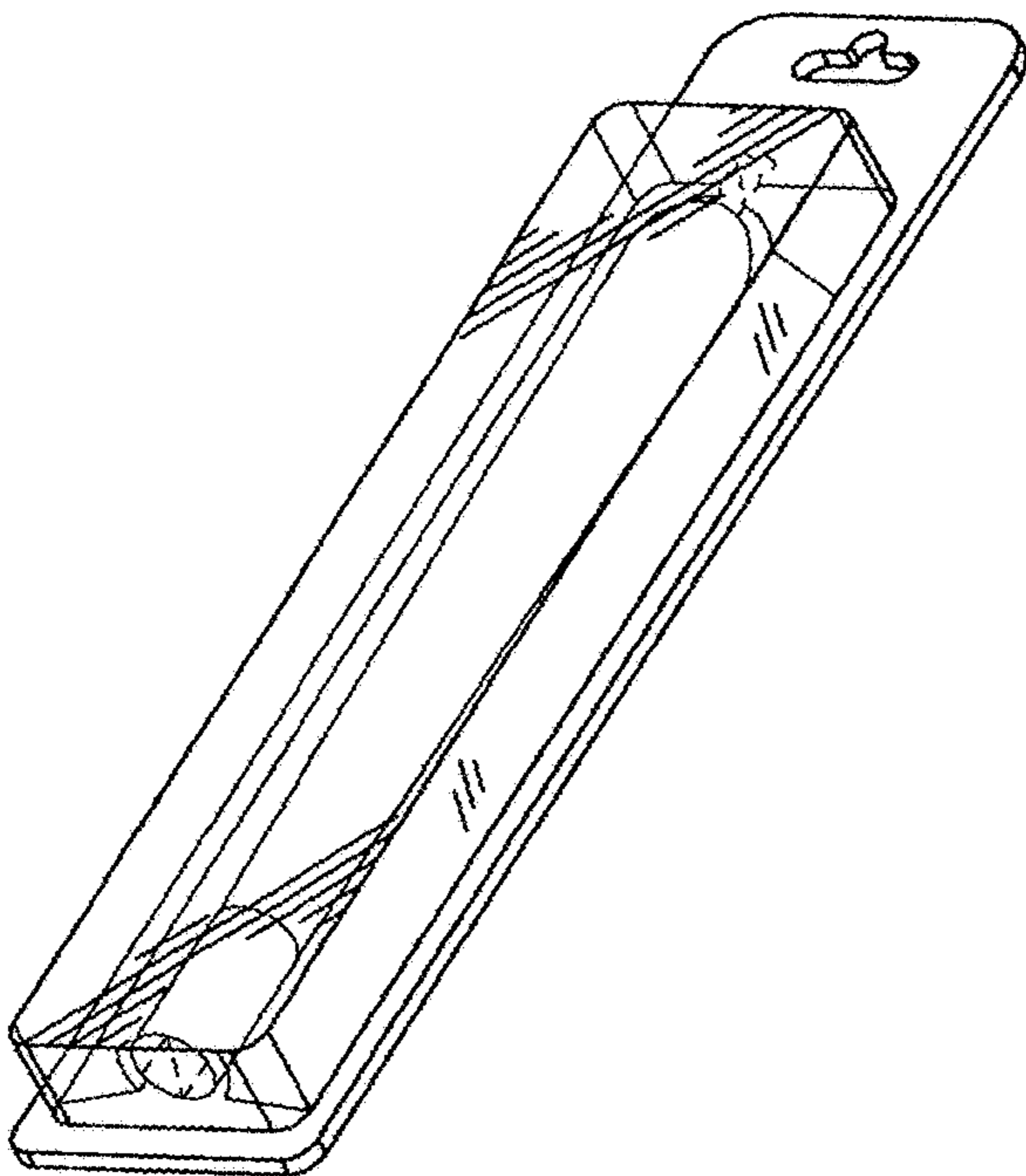


FIG. 4

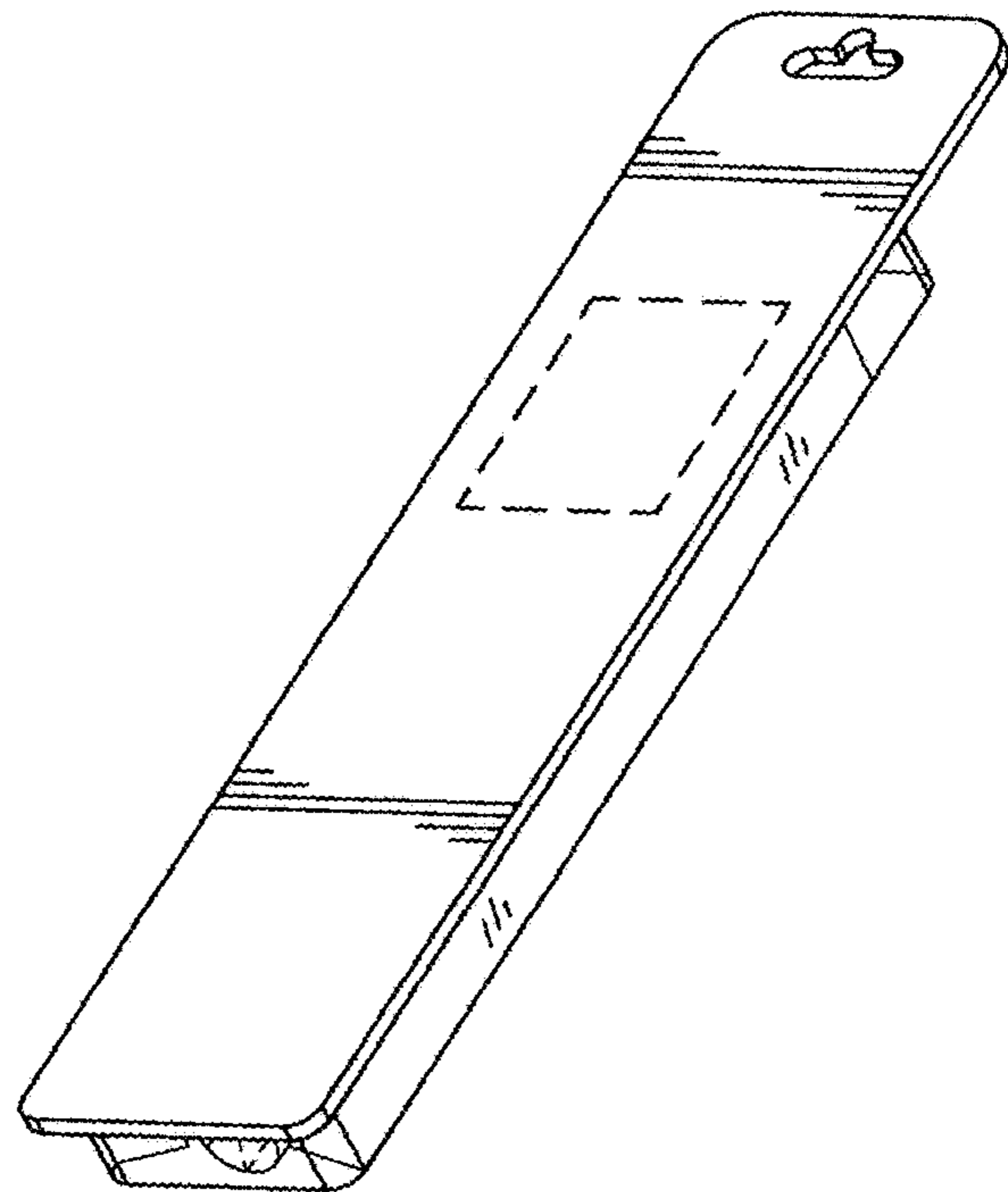


FIG. 5