



US00D918027S

(12) **United States Design Patent**
Liang

(10) **Patent No.:** **US D918,027 S**

(45) **Date of Patent:** **** May 4, 2021**

(54) **NUT LOCKING ASSEMBLY COMPRISED OF
A NUT AND A LOCKING WASHER**

(71) Applicant: **Zhuoming Liang**, Guangdong (CN)

(72) Inventor: **Zhuoming Liang**, Guangdong (CN)

(**) Term: **15 Years**

(21) Appl. No.: **29/710,676**

(22) Filed: **Oct. 25, 2019**

(51) **LOC (13) Cl.** **08-08**

(52) **U.S. Cl.**
USPC **D8/397**

(58) **Field of Classification Search**
USPC D8/397, 394, 382, 349, 399, 70, 29, 86,
D8/395; 411/446, 455, 372.6
CPC F16B 37/068; F16B 33/002; F16B 5/0208;
F16B 41/002; F16B 23/0061; F16B
31/02; F16B 37/02; F01N 13/009
See application file for complete search history.

(56) **References Cited**

U.S. PATENT DOCUMENTS

D243,154 S *	1/1977	Dieme	D8/387
D268,565 S *	4/1983	Mortus	D8/397
4,406,140 A *	9/1983	Wolter	F16B 41/005 70/231
4,420,848 A *	12/1983	Becker	B23K 11/3081 470/22
4,764,070 A *	8/1988	Baltzell	F16B 37/14 411/375
4,850,776 A *	7/1989	Toth	B23K 11/14 411/429
5,302,069 A *	4/1994	Toth	B60B 7/00 411/373
6,036,420 A *	3/2000	Somers	F16B 37/14 411/375
D484,785 S *	1/2004	Plumer	D8/397
D488,715 S *	4/2004	Plumer	D8/397
D510,259 S *	10/2005	Yoshimoto	D8/397

7,252,471 B1 *	8/2007	Manyoky	F16B 37/00 411/427
D590,243 S *	4/2009	Bush	D8/397
8,016,535 B1 *	9/2011	Roberts	F16B 41/005 411/429
D746,129 S *	12/2015	Kishida	D8/399
D780,562 S *	3/2017	Baiz	D8/387
D781,691 S *	3/2017	Baiz	D8/387

(Continued)

Primary Examiner — Cynthia R Underwood

(57) **CLAIM**

The ornamental design for a nut locking assembly comprised of a nut and a locking washer, as shown and described.

DESCRIPTION

FIG. 1 is a perspective view of a nut locking assembly comprised of a nut and a locking washer showing my new design;

FIG. 2 is a perspective view of the nut of a nut locking assembly shown removed from the locking washer;

FIG. 3 is a front elevation view of FIG. 2;

FIG. 4 is a rear elevation view of FIG. 2;

FIG. 5 is a left side elevation view of FIG. 2;

FIG. 6 is a right side elevation view of FIG. 2;

FIG. 7 is a top plan view of FIG. 2;

FIG. 8 is a bottom plan view of FIG. 2;

FIG. 9 is a cross-section view of the nut as taken along line 1-1 in FIG. 3;

FIG. 10 is a front elevation view of the locking washer of the nut locking assembly shown removed from the nut;

FIG. 11 is a rear elevation view of FIG. 10;

FIG. 12 is a left side elevation view of FIG. 10;

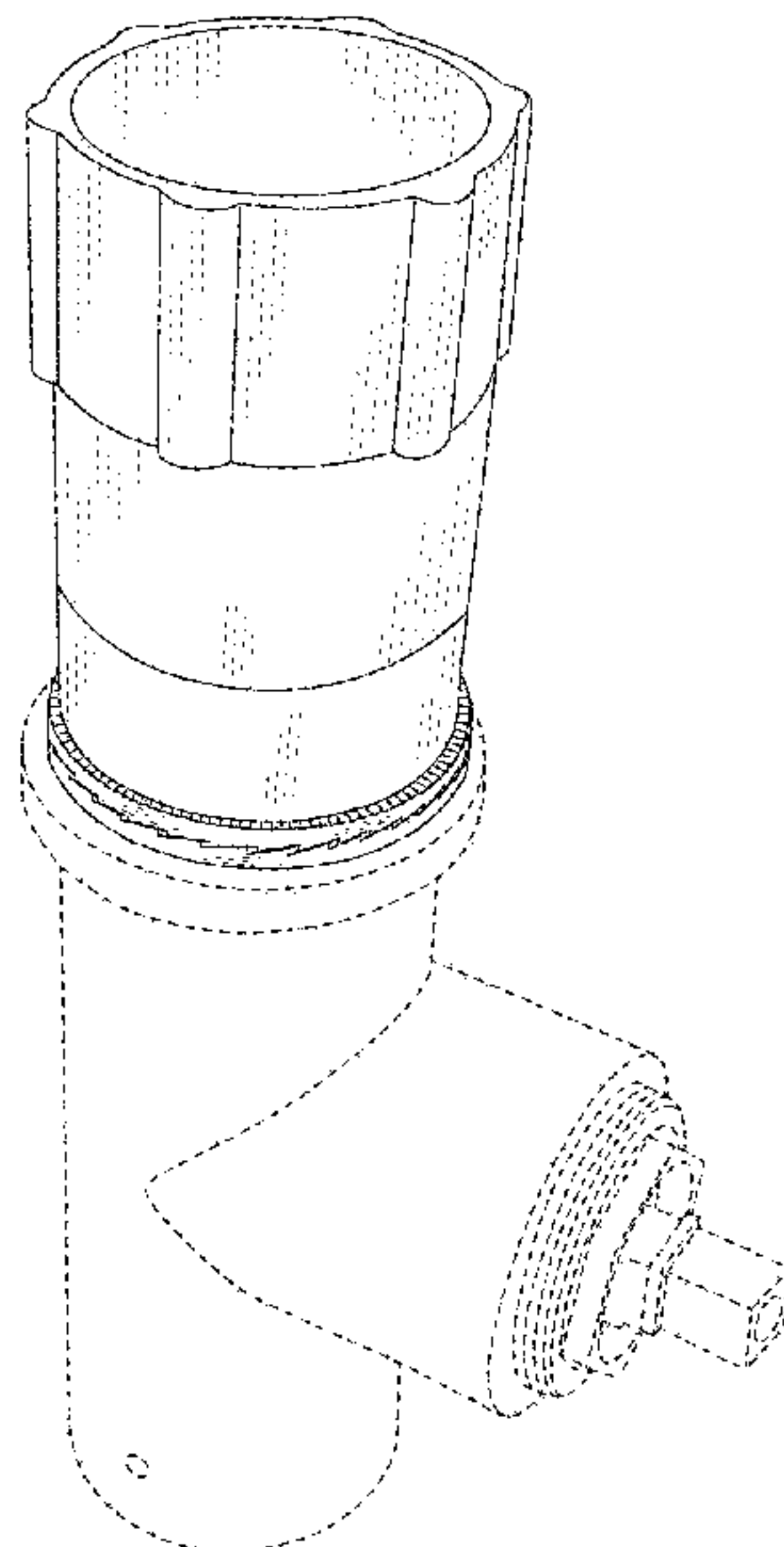
FIG. 13 is a right side elevation view of FIG. 10;

FIG. 14 is a top plan view of FIG. 10; and,

FIG. 15 is a bottom plan view of FIG. 10.

The broken lines depict environment only and form no part of the claimed design.

1 Claim, 15 Drawing Sheets



(56)

References Cited

U.S. PATENT DOCUMENTS

D786,056 S * 5/2017 Baiz D8/387
D787,924 S * 5/2017 Baiz D8/387
D796,310 S * 9/2017 Baiz D8/397
D814,259 S * 4/2018 Feuerstein D8/29
D814,282 S * 4/2018 Baiz D8/387
10,030,930 B2 * 7/2018 Hill F16B 37/00
D859,973 S * 9/2019 Foerster, Jr. D8/397
D880,284 S * 4/2020 Ferraro D8/397
D889,257 S * 7/2020 Kukucka D8/397
D889,950 S * 7/2020 Dill D8/385
D903,481 S * 12/2020 Harders D8/397
2002/0098059 A1 * 7/2002 Schmidt F16B 37/14
411/399
2004/0208723 A1 * 10/2004 Stawarski F16B 37/14
411/349
2013/0071204 A1 * 3/2013 Hunter B60B 7/068
411/373
2020/0386258 A1 * 12/2020 Size, Jr. F16B 37/122

* cited by examiner

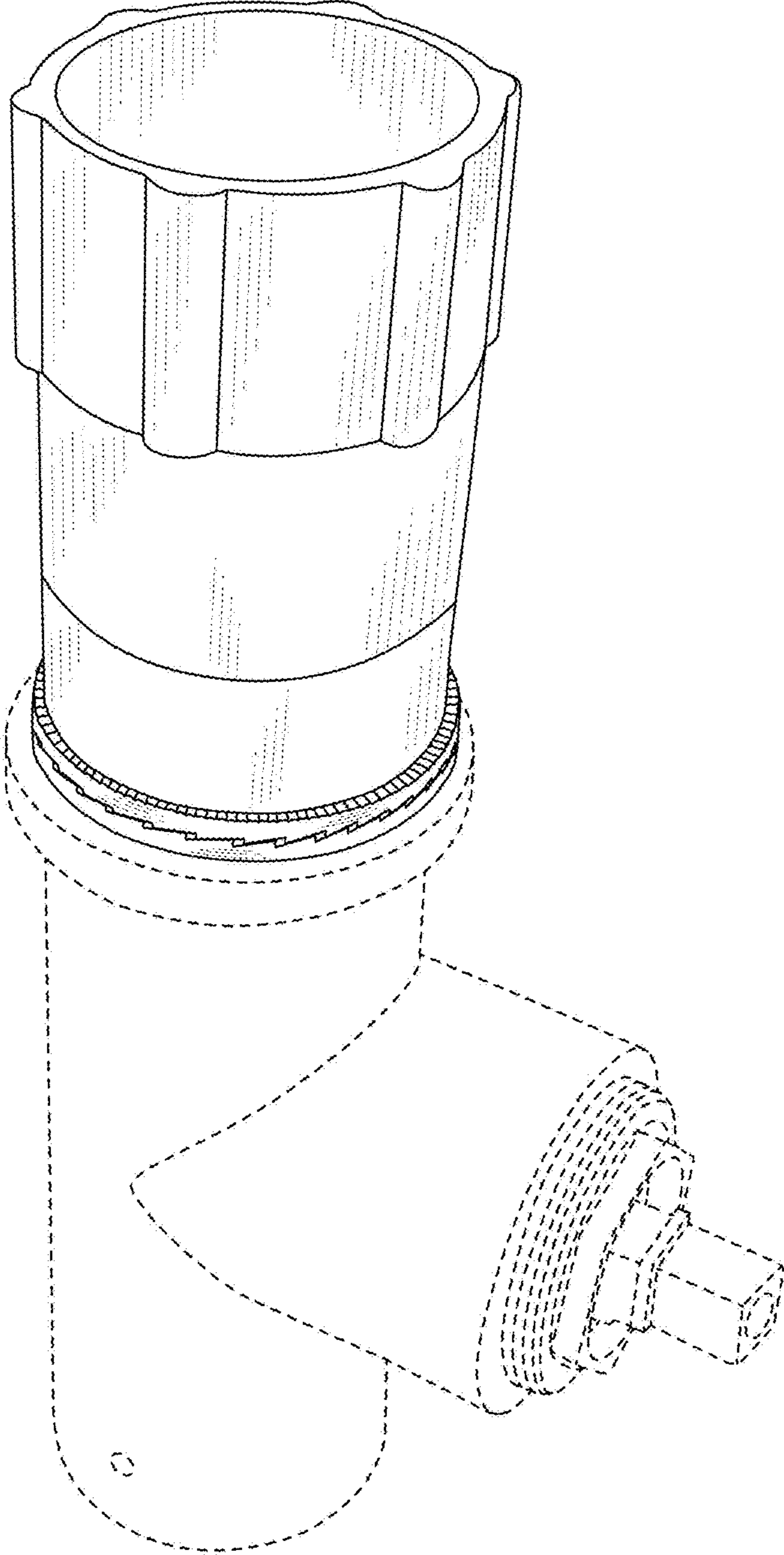


FIG.1

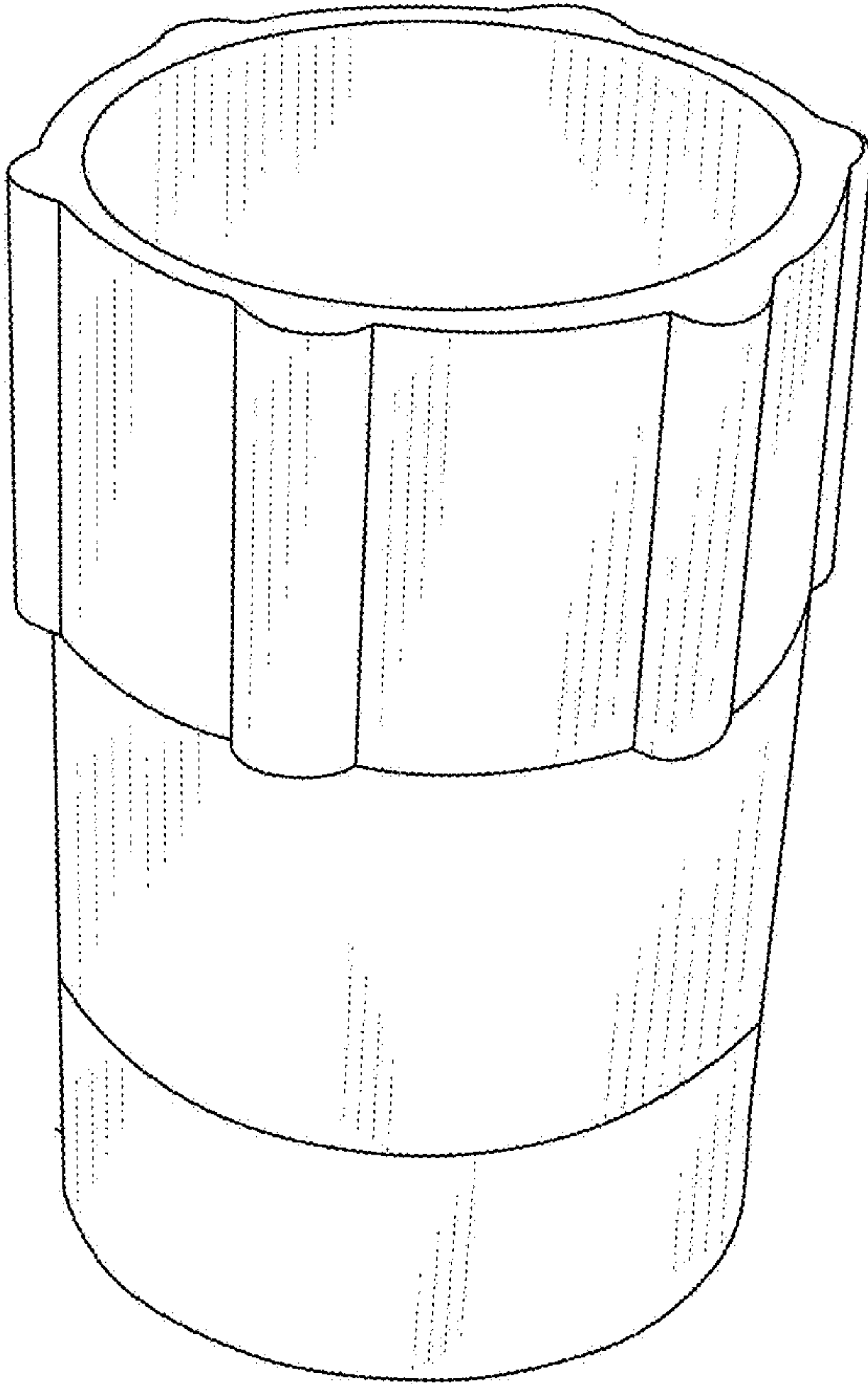


FIG.2

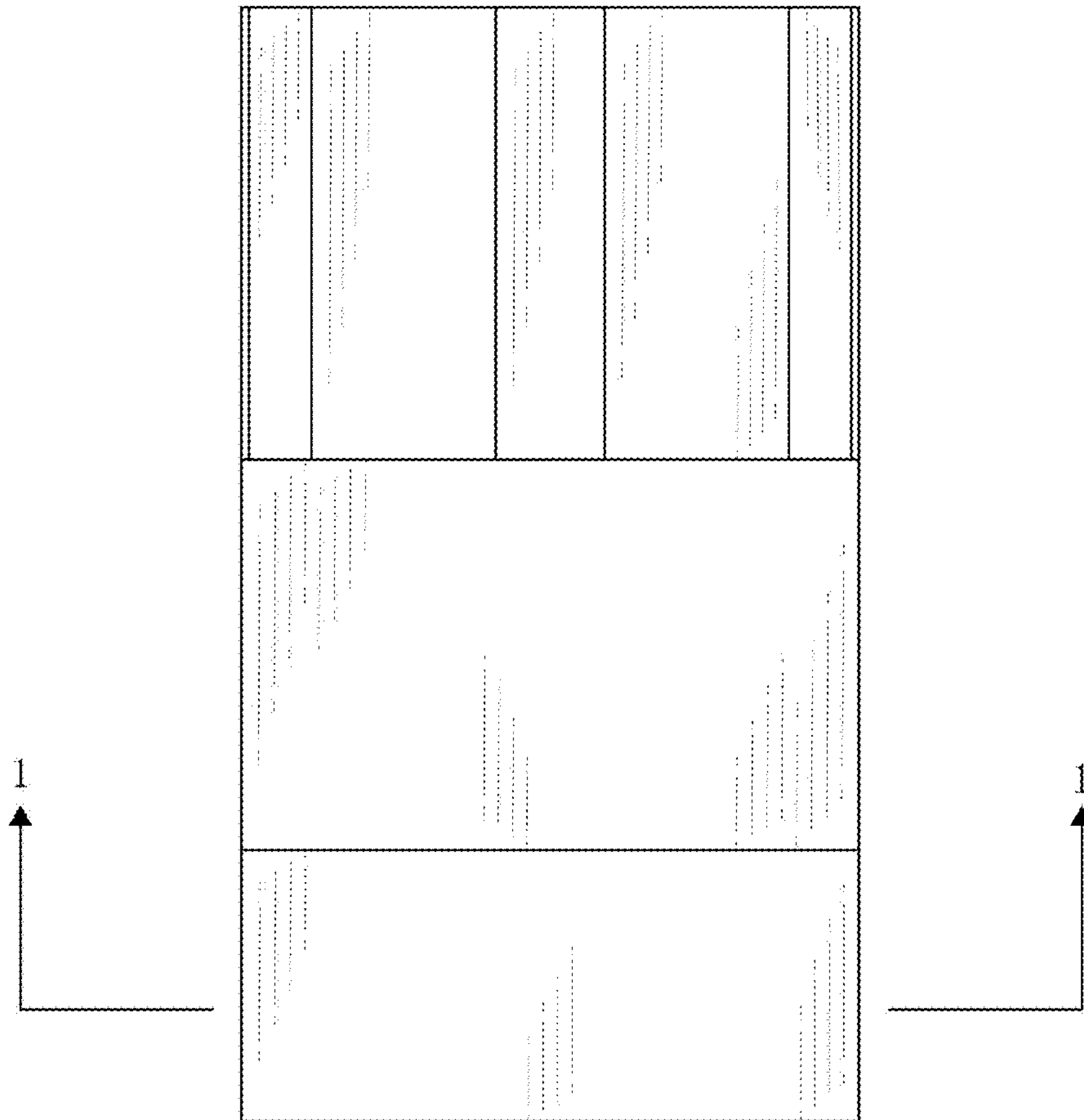


FIG.3

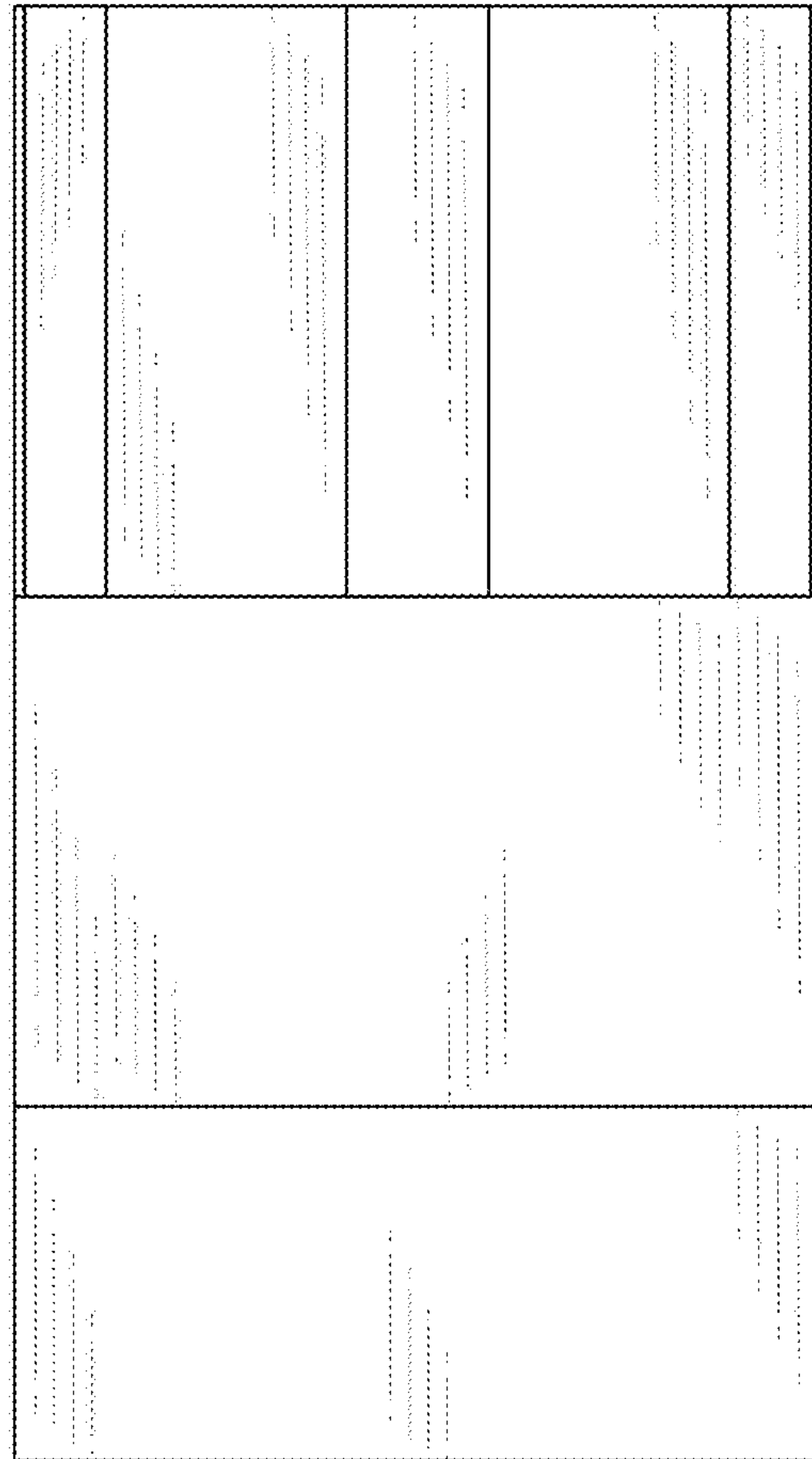


FIG.4

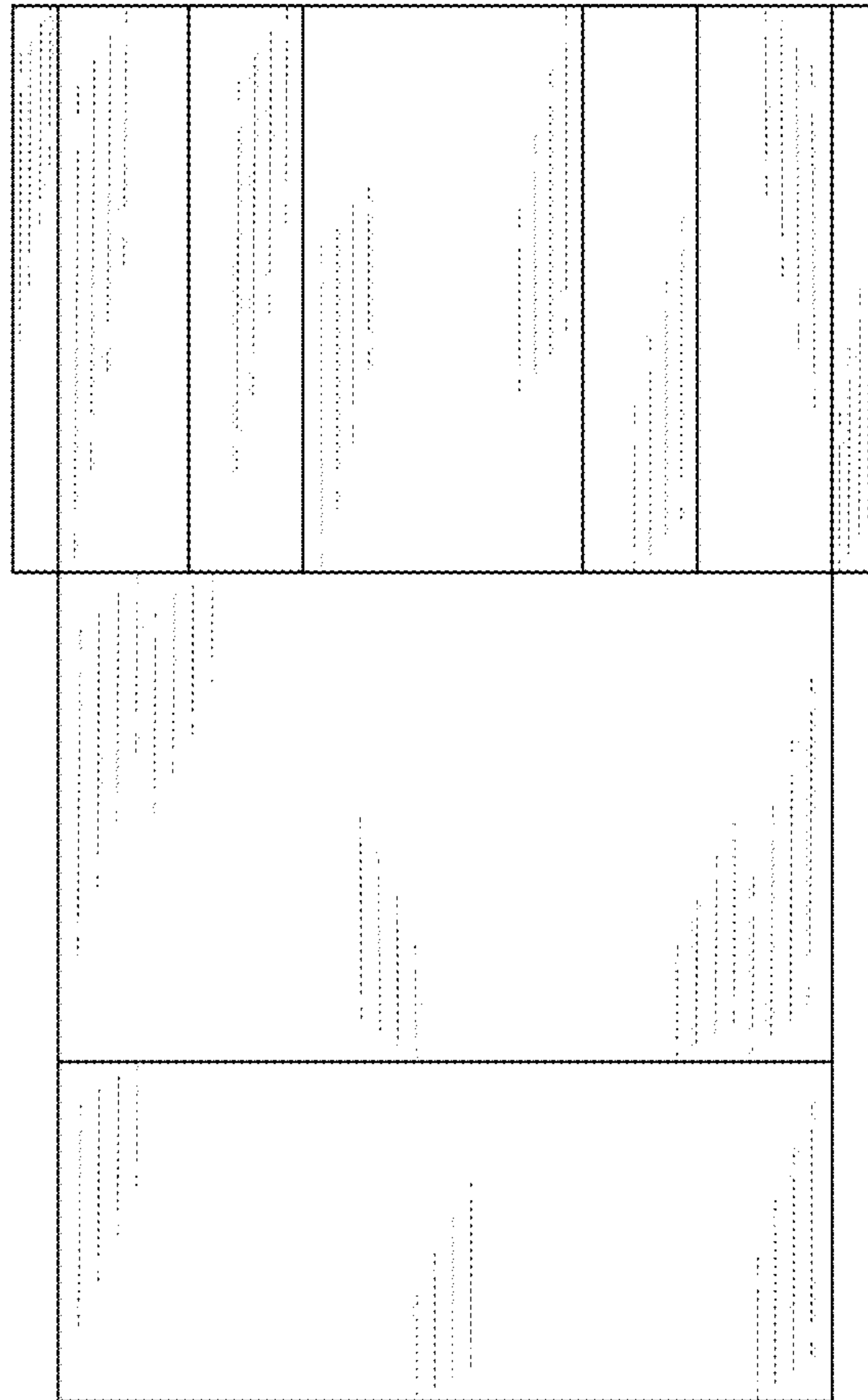


FIG. 5

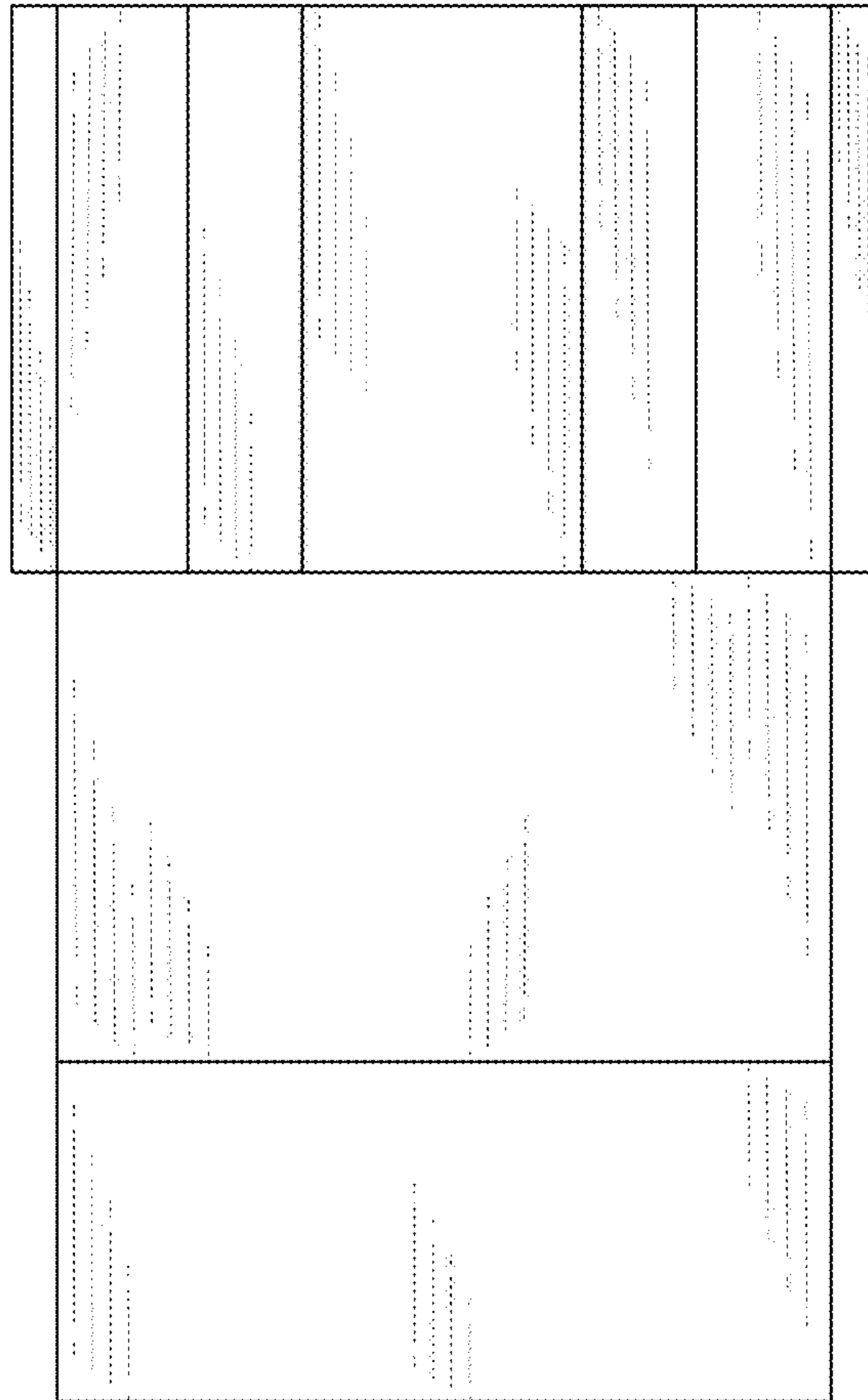


FIG. 6

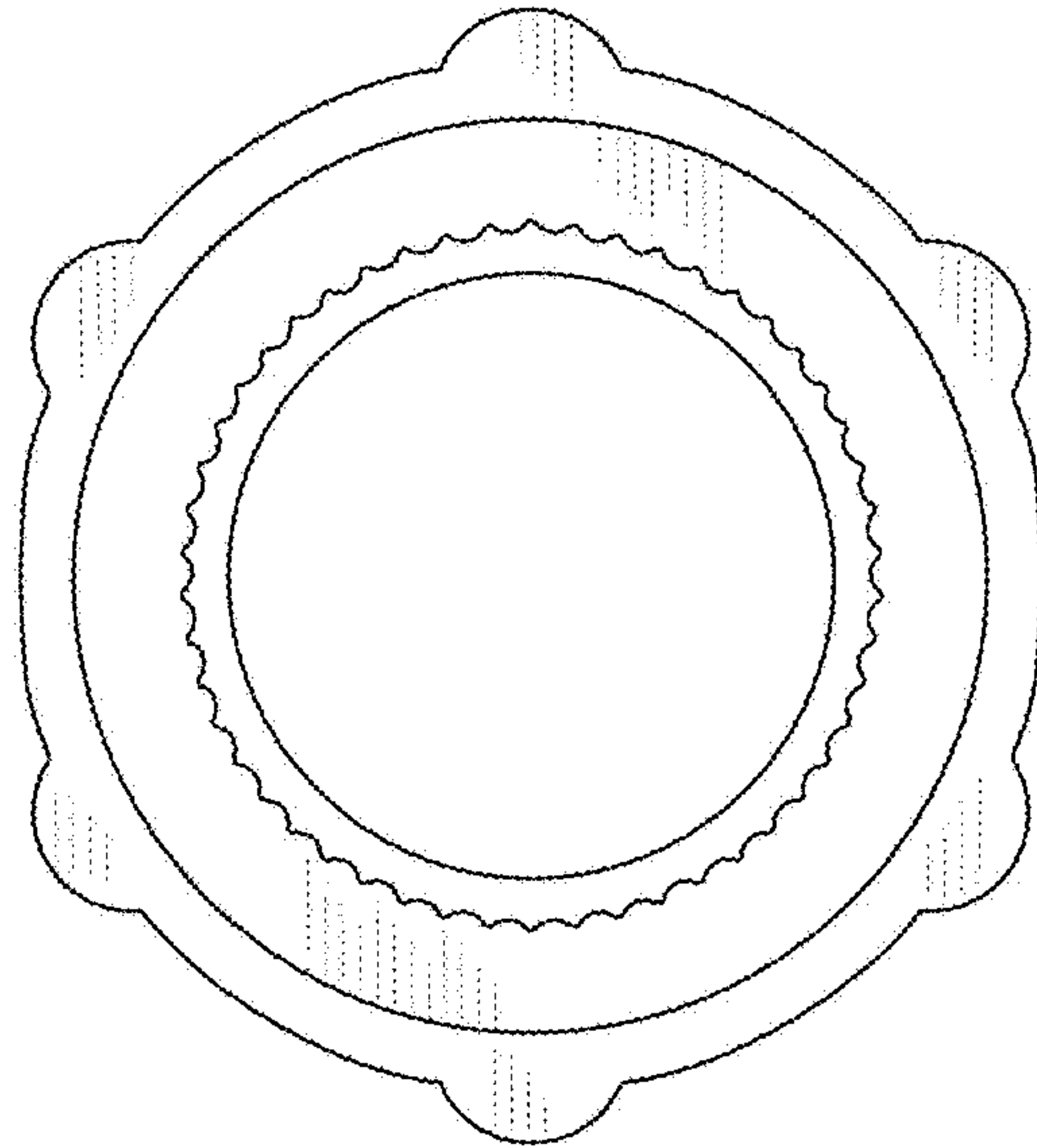


FIG. 7

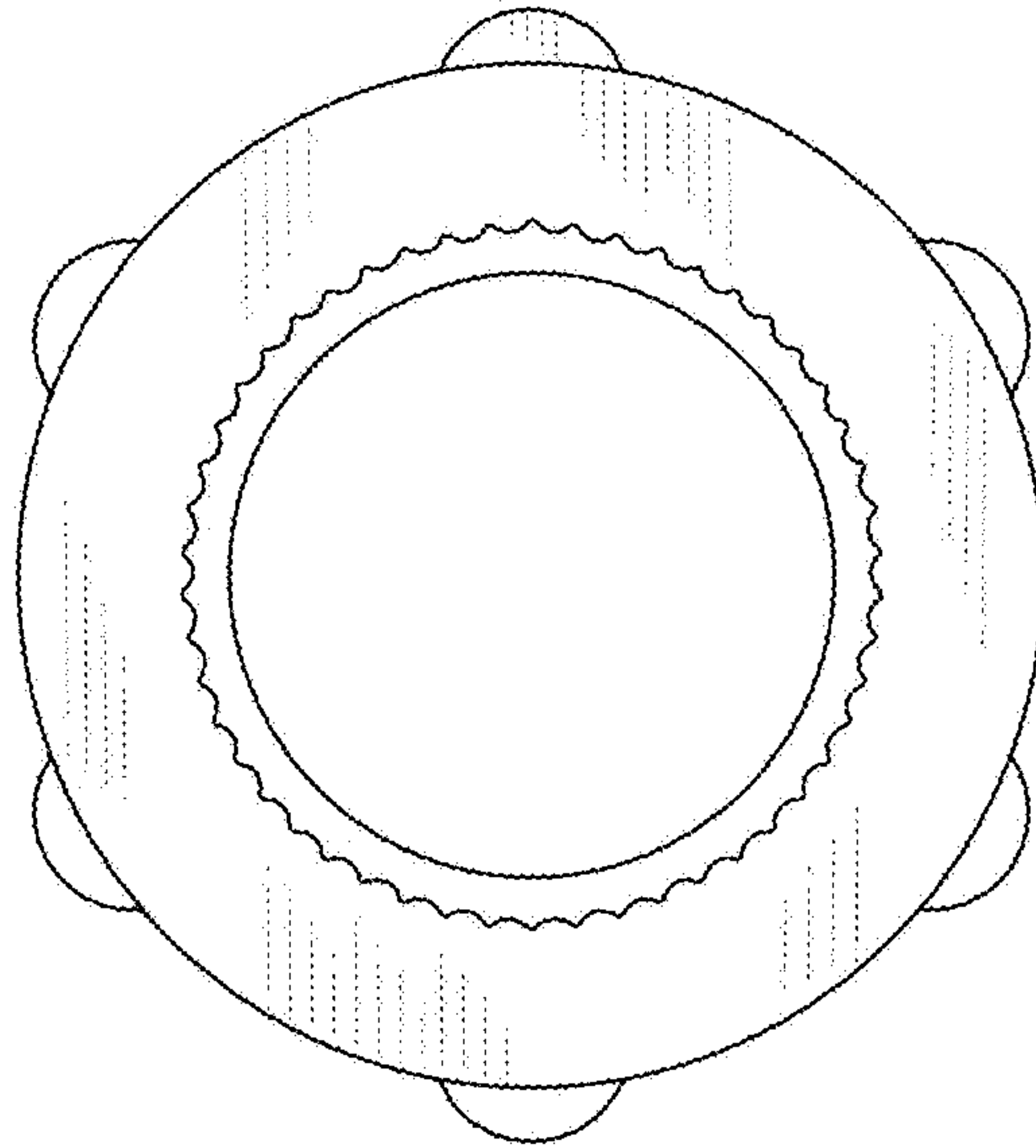


FIG. 8

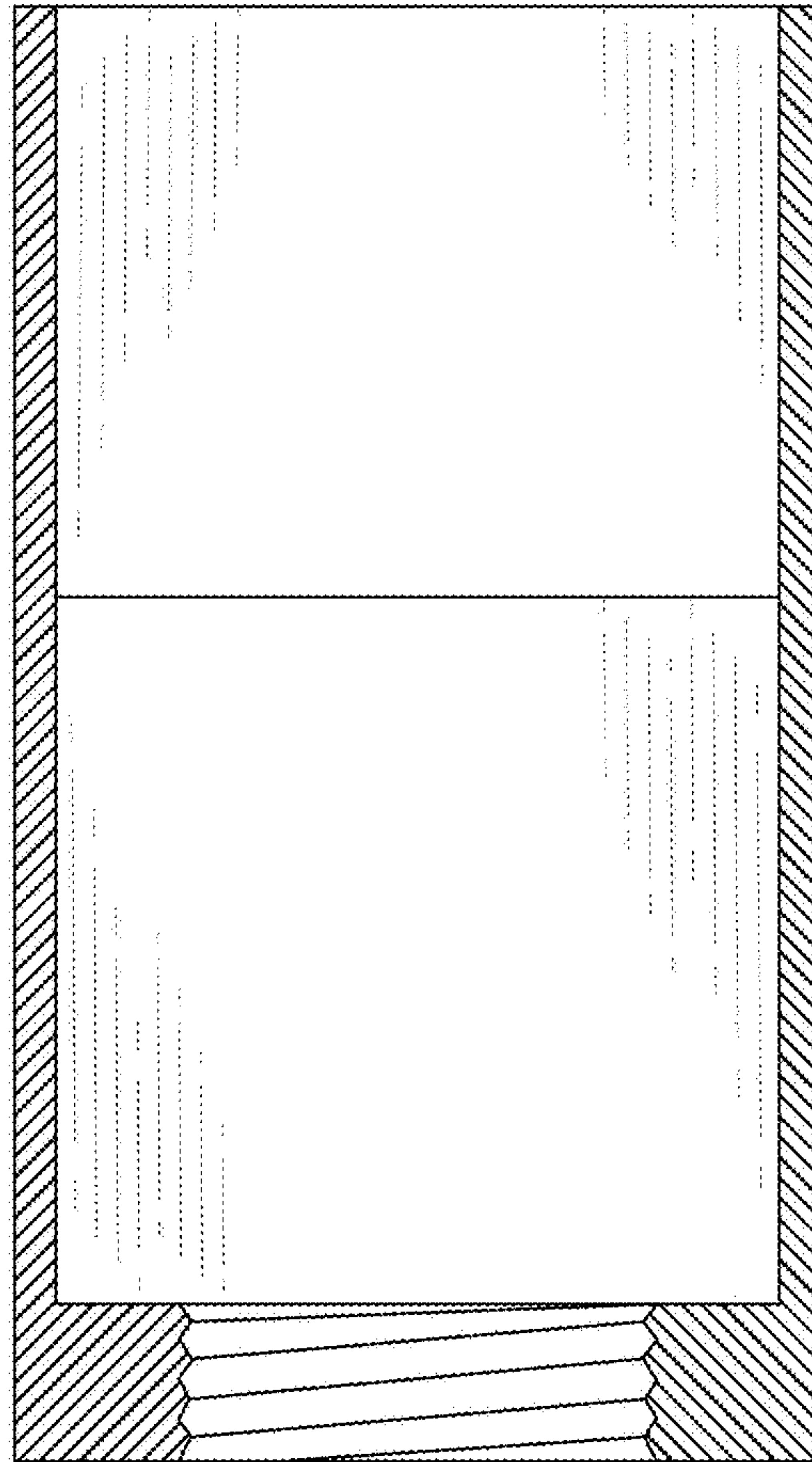


FIG. 9

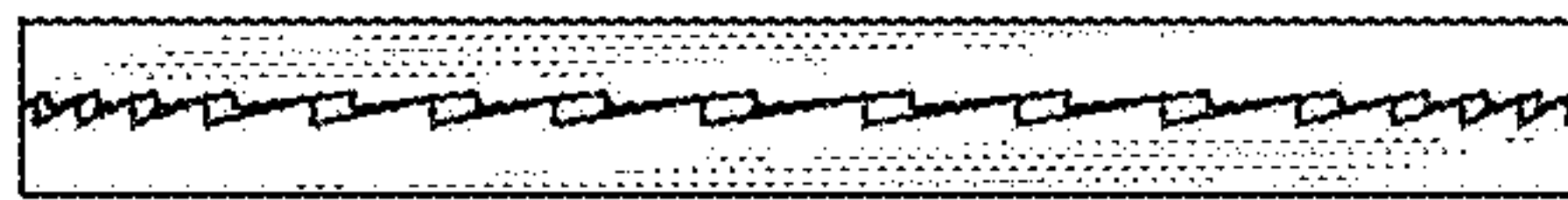


FIG. 10

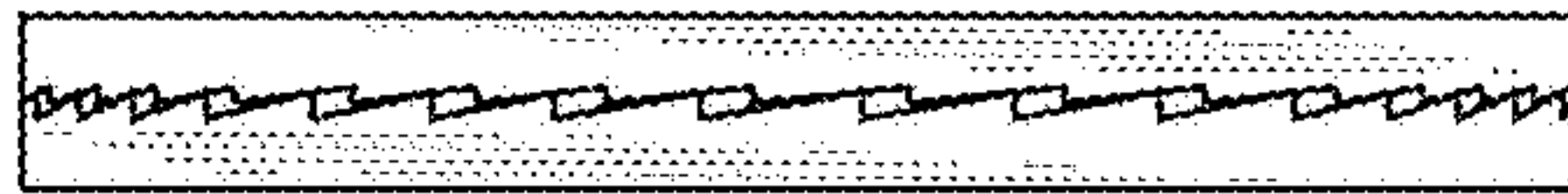


FIG. 11

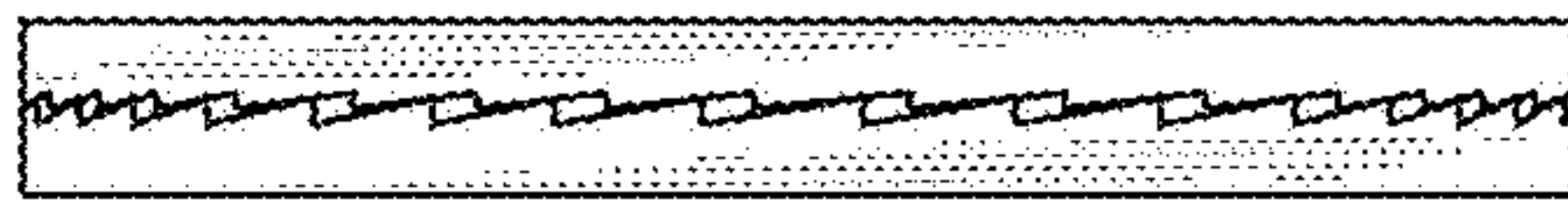


FIG. 12

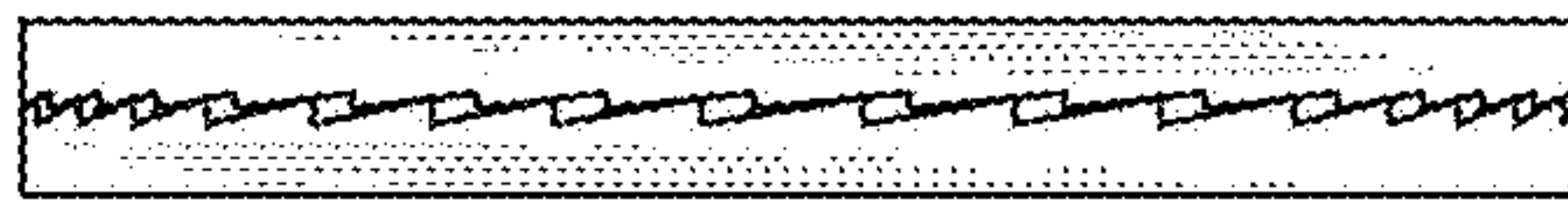


FIG. 13

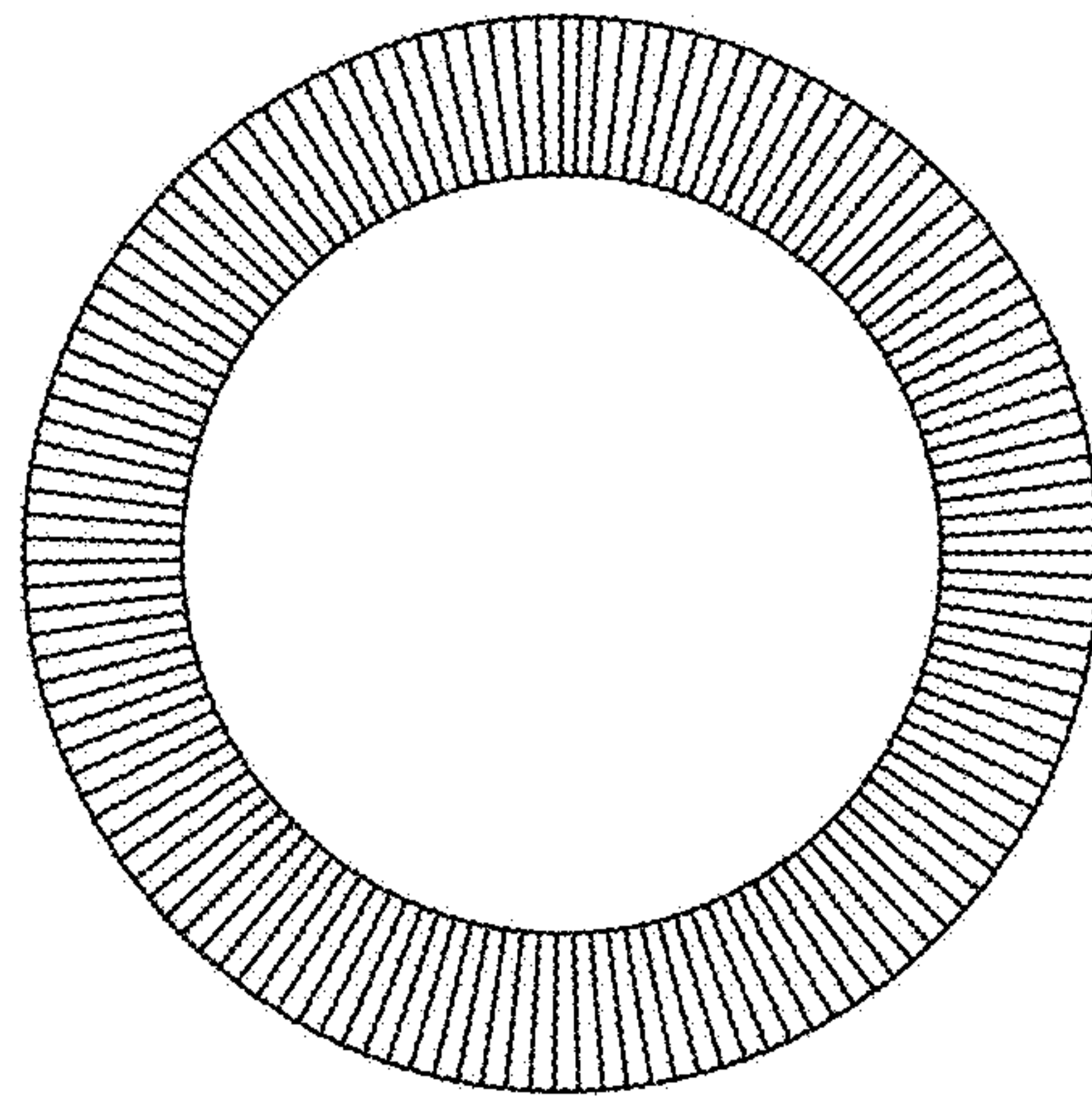


FIG. 14

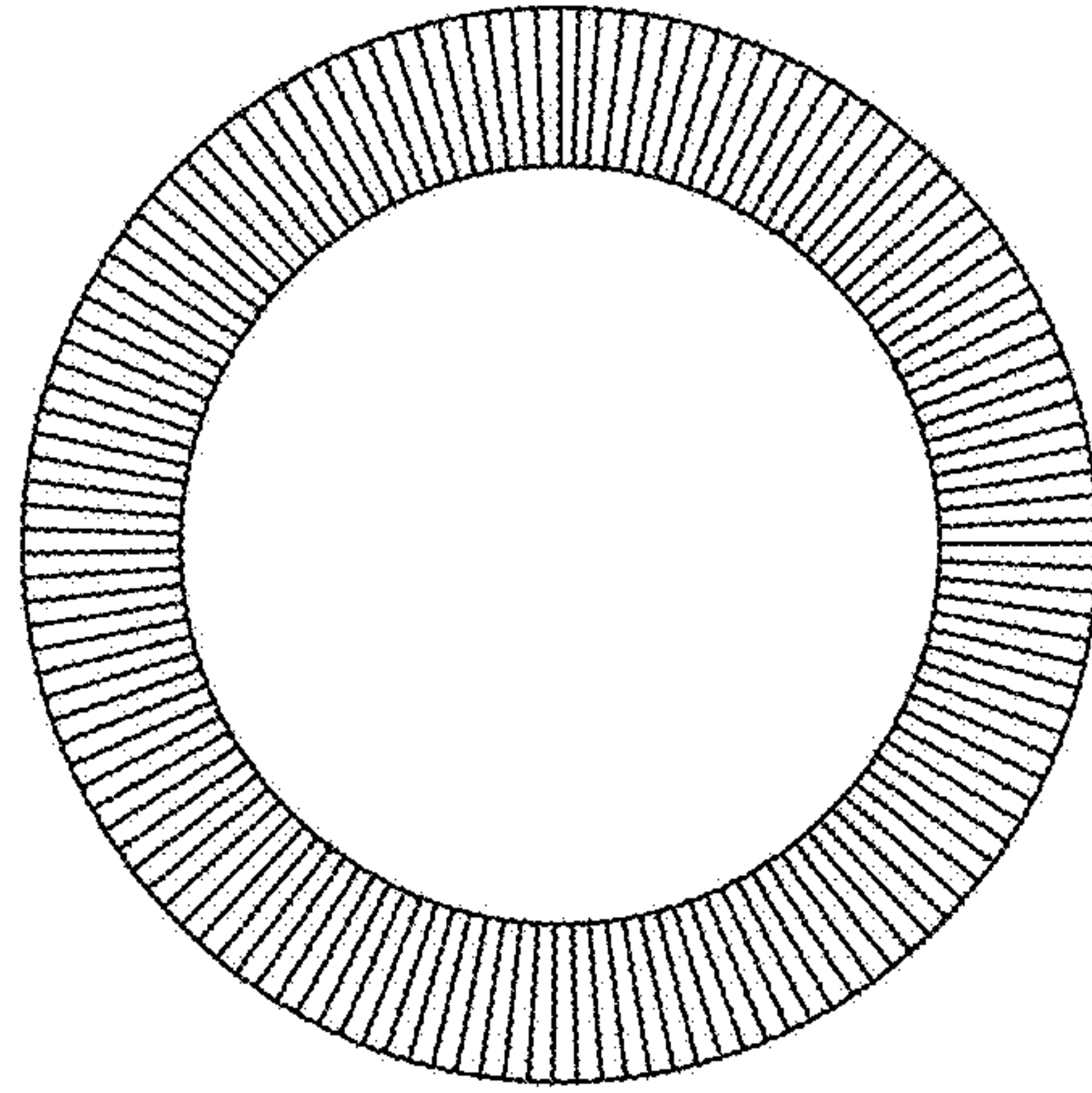


FIG. 15