



US00D918026S

(12) **United States Design Patent** (10) **Patent No.:** **US D918,026 S**  
**Watson** (45) **Date of Patent:** **\*\* May 4, 2021**

(54) **PROTECTIVE SLEEVE NUT**

FOREIGN PATENT DOCUMENTS

(71) Applicant: **J. Ray McDermott, S.A.**, Houston, TX (US)

EP 0372497 A1 6/1990  
EP 3176447 A1 6/2017

(Continued)

(72) Inventor: **Kevin W. Watson**, Dubai (AE)

OTHER PUBLICATIONS

(73) Assignee: **J. RAY MCDERMOTT, S.A.**, Houston, TX (US)

PCT/US2020/049176, International Search Report and Written Opinion dated Dec. 8, 2020, 15 pages.

(\*\*) Term: **15 Years**

*Primary Examiner* — Cynthia R Underwood

(21) Appl. No.: **29/704,539**

(74) *Attorney, Agent, or Firm* — Patterson + Sheridan, LLP

(22) Filed: **Sep. 5, 2019**

(51) **LOC (13) Cl.** ..... **08-08**

(52) **U.S. Cl.**  
USPC ..... **D8/397**

(57) **CLAIM**

The ornamental design for a protective sleeve nut, as shown and described.

(58) **Field of Classification Search**

USPC .... D8/397, 394, 382, 349, 399, 387, 70, 29,  
D8/83, 86, 395; 411/376.2, 84, 446, 399,  
411/490, 455, 377, 173; D23/259, 260  
CPC .... F16B 37/068; F16B 33/002; F16B 41/002;  
F16B 5/0208; F16B 23/0061; F16B  
31/02; F16B 37/02; F01N 13/009  
See application file for complete search history.

**DESCRIPTION**

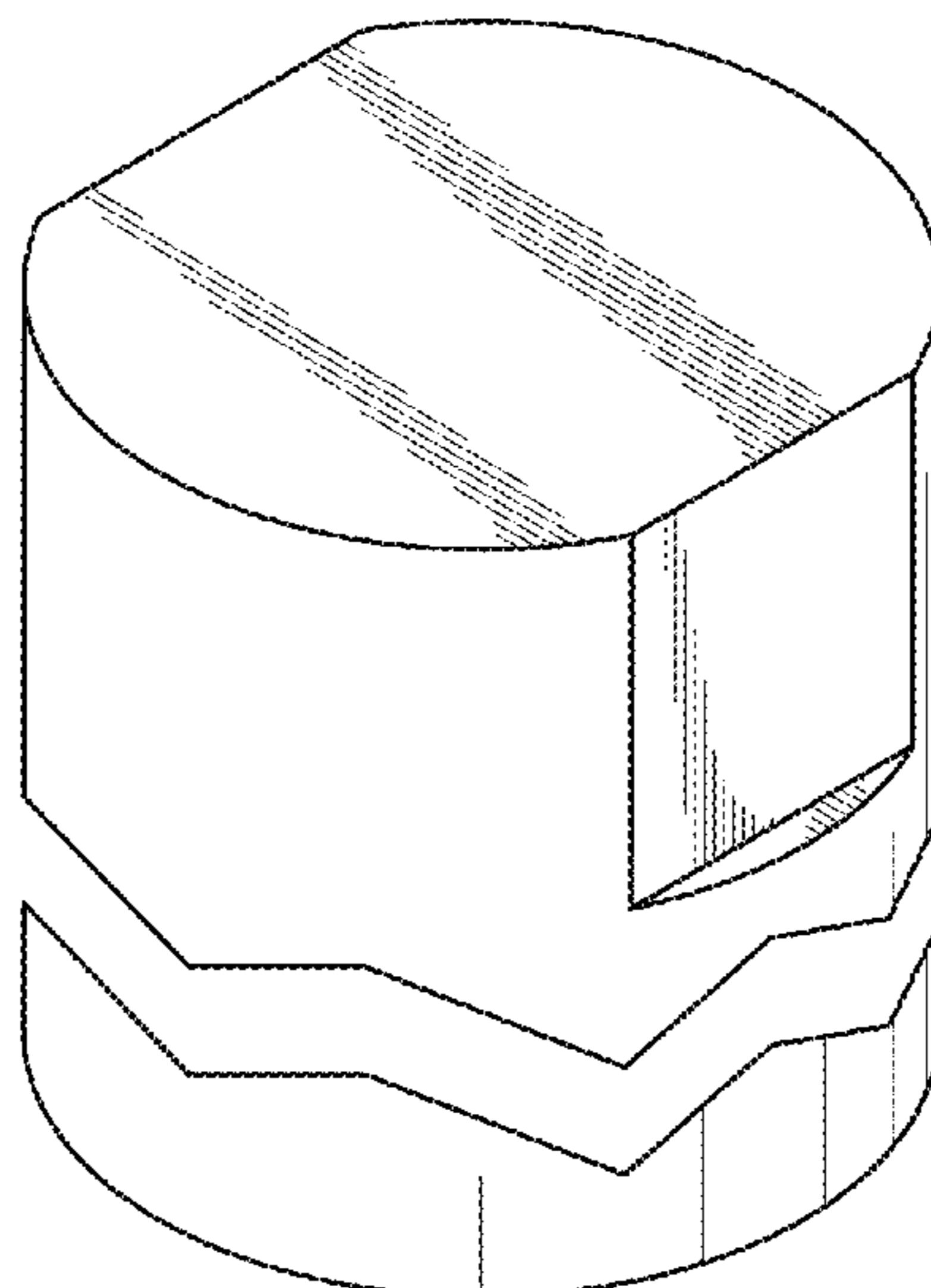
FIG. 1 is a top perspective view of one embodiment of a protective sleeve nut showing my new design. FIG. 2 is a bottom perspective view thereof. FIG. 3 is a front elevational view thereof. FIG. 4 is a rear elevational view thereof. FIG. 5 is a right side elevational view thereof. FIG. 6 is a left side elevational view thereof. FIG. 7 is a top plan view thereof. FIG. 8 is a bottom plan view thereof. FIG. 9 is a sectional view thereof taken along section line 9-9 shown in FIG. 7; and, FIG. 10 is another top perspective view thereof. The pair of closely spaced jagged lines intersecting the drawings with the bracket on the side in FIGS. 1-6 and 9, depict indeterminate length. The broken lines represent an environment of use and form no part of the claim. The broken away symbols indicate that any portion of the article beyond what is shown forms no part of the claimed design.

(56) **References Cited**

U.S. PATENT DOCUMENTS

D243,154 S \* 1/1977 Dieme ..... D8/387  
4,376,332 A 3/1983 Sandefur  
D268,565 S \* 4/1983 Mortus ..... D8/397  
4,406,140 A \* 9/1983 Wolter ..... F16B 41/005  
70/231  
4,420,848 A \* 12/1983 Becker ..... B23K 11/3081  
470/22  
4,764,070 A \* 8/1988 Baltzell ..... F16B 37/14  
411/375  
4,850,776 A \* 7/1989 Toth ..... B23K 11/14  
411/429  
5,302,069 A \* 4/1994 Toth ..... B60B 7/00  
411/373  
5,553,984 A 9/1996 Smith  
(Continued)

**1 Claim, 5 Drawing Sheets**



(56)

References Cited

U.S. PATENT DOCUMENTS

6,036,420 A \* 3/2000 Somers ..... F16B 37/14  
 411/375  
 D484,785 S \* 1/2004 Plumer ..... D8/397  
 D488,715 S \* 4/2004 Plumer ..... D8/397  
 D510,259 S \* 10/2005 Yoshimoto ..... D8/397  
 7,252,471 B1 \* 8/2007 Manyoky ..... F16B 37/00  
 411/427  
 D590,243 S \* 4/2009 Bush ..... D8/397  
 8,016,535 B1 \* 9/2011 Roberts ..... F16B 41/005  
 411/429  
 D746,129 S \* 12/2015 Kishida ..... D8/399  
 D780,562 S \* 3/2017 Baiz ..... D8/387  
 D781,691 S \* 3/2017 Baiz ..... D8/387  
 D786,056 S \* 5/2017 Baiz ..... D8/387  
 D787,924 S \* 5/2017 Baiz ..... D8/387  
 D796,310 S \* 9/2017 Baiz ..... D8/397

D814,259 S \* 4/2018 Feuerstein ..... D8/29  
 D814,282 S \* 4/2018 Baiz ..... D8/387  
 D880,284 S \* 4/2020 Ferraro ..... D8/397  
 D889,257 S \* 7/2020 Kukucka ..... D8/397  
 D889,950 S \* 7/2020 Dill ..... D8/385  
 2002/0098059 A1 \* 7/2002 Schmidt ..... F16B 37/14  
 411/399  
 2004/0208723 A1 \* 10/2004 Stawarski ..... F16B 37/14  
 411/349  
 2010/0047037 A1 2/2010 Ishida et al.  
 2013/0071204 A1 \* 3/2013 Hunter ..... B60B 7/068  
 411/373

FOREIGN PATENT DOCUMENTS

JP S4426391 Y1 11/1969  
 JP S4929156 Y1 3/1974  
 JP H09144738 A 6/1997

\* cited by examiner

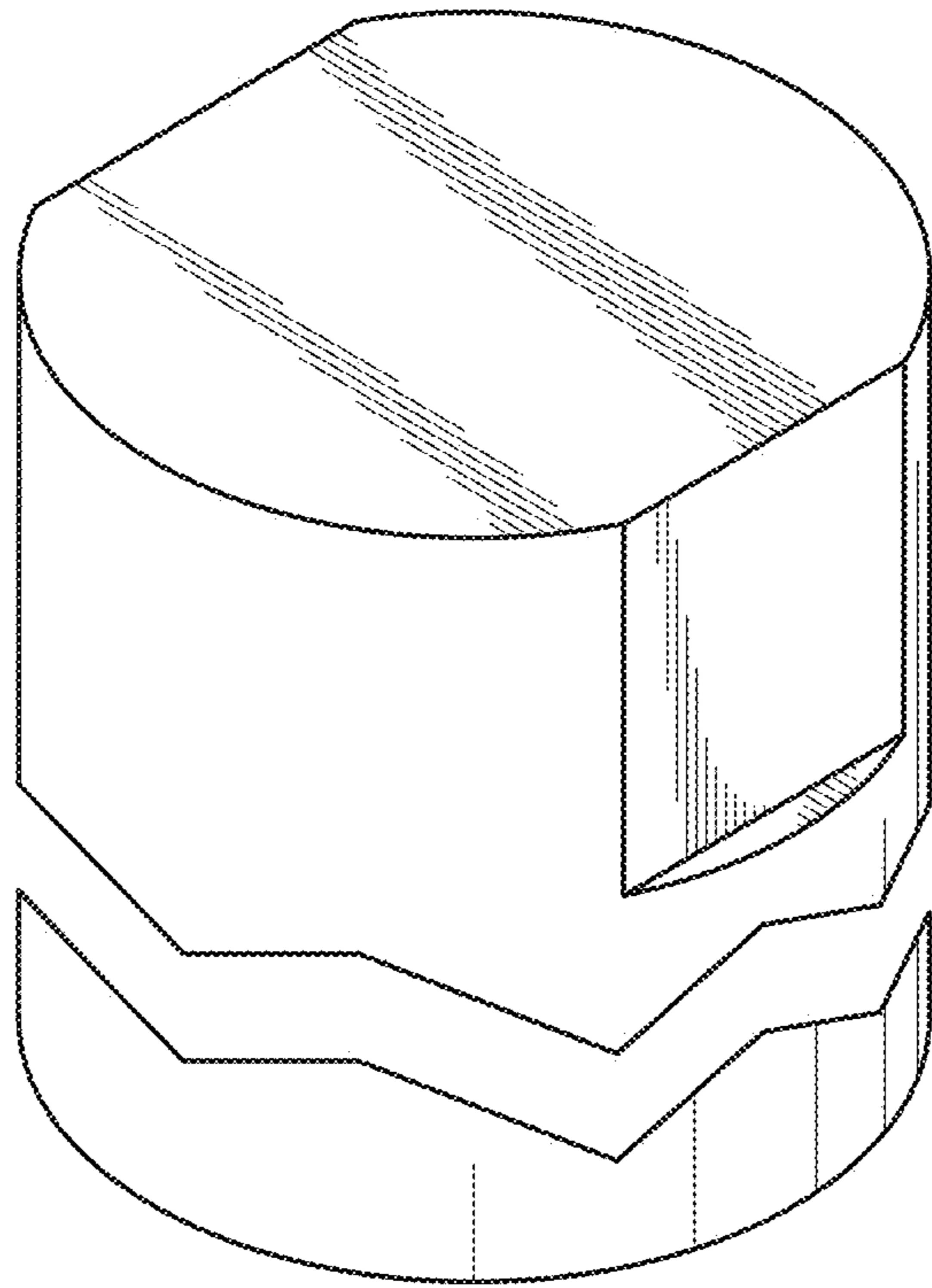


FIG. 1

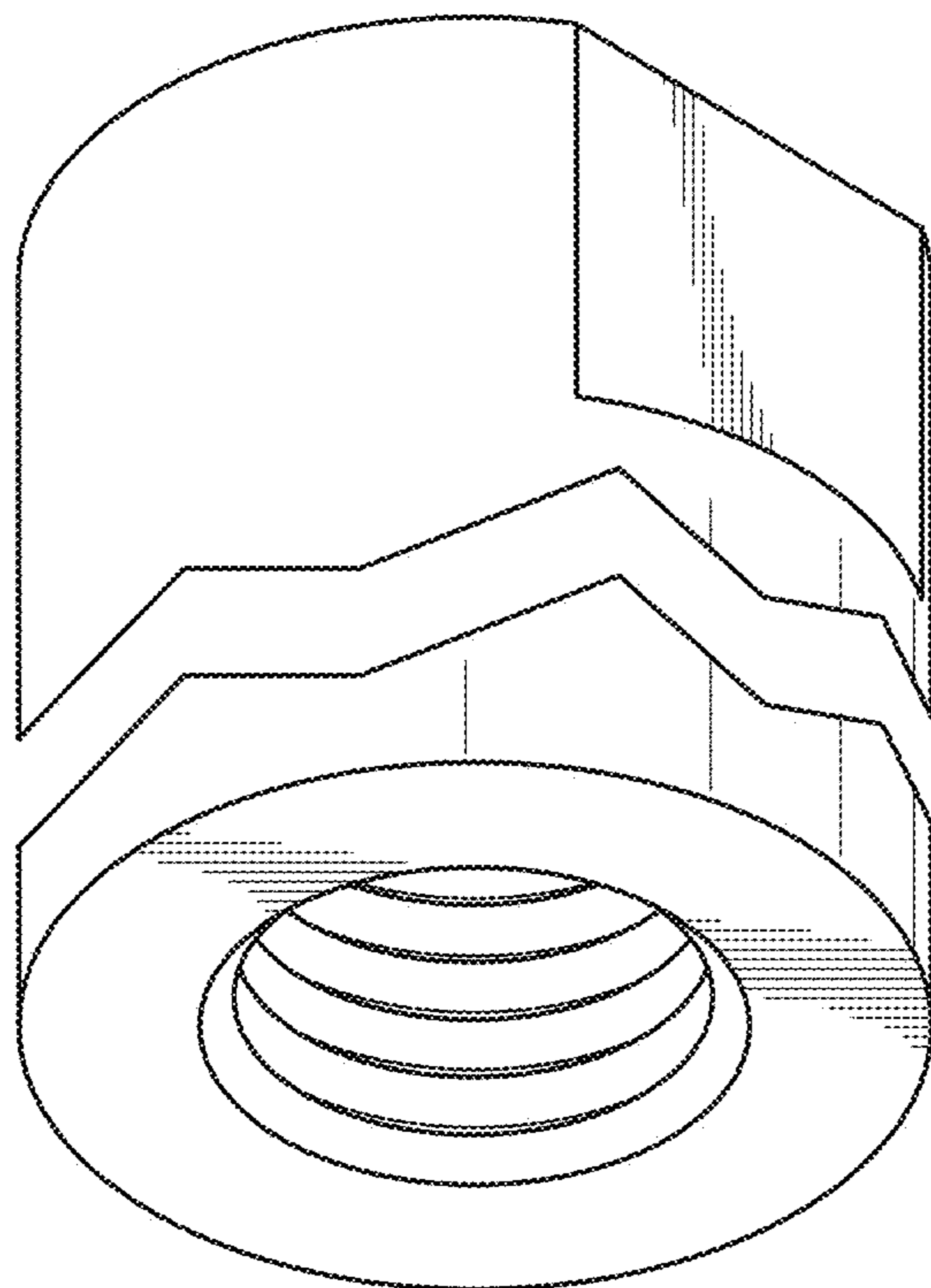


FIG. 2

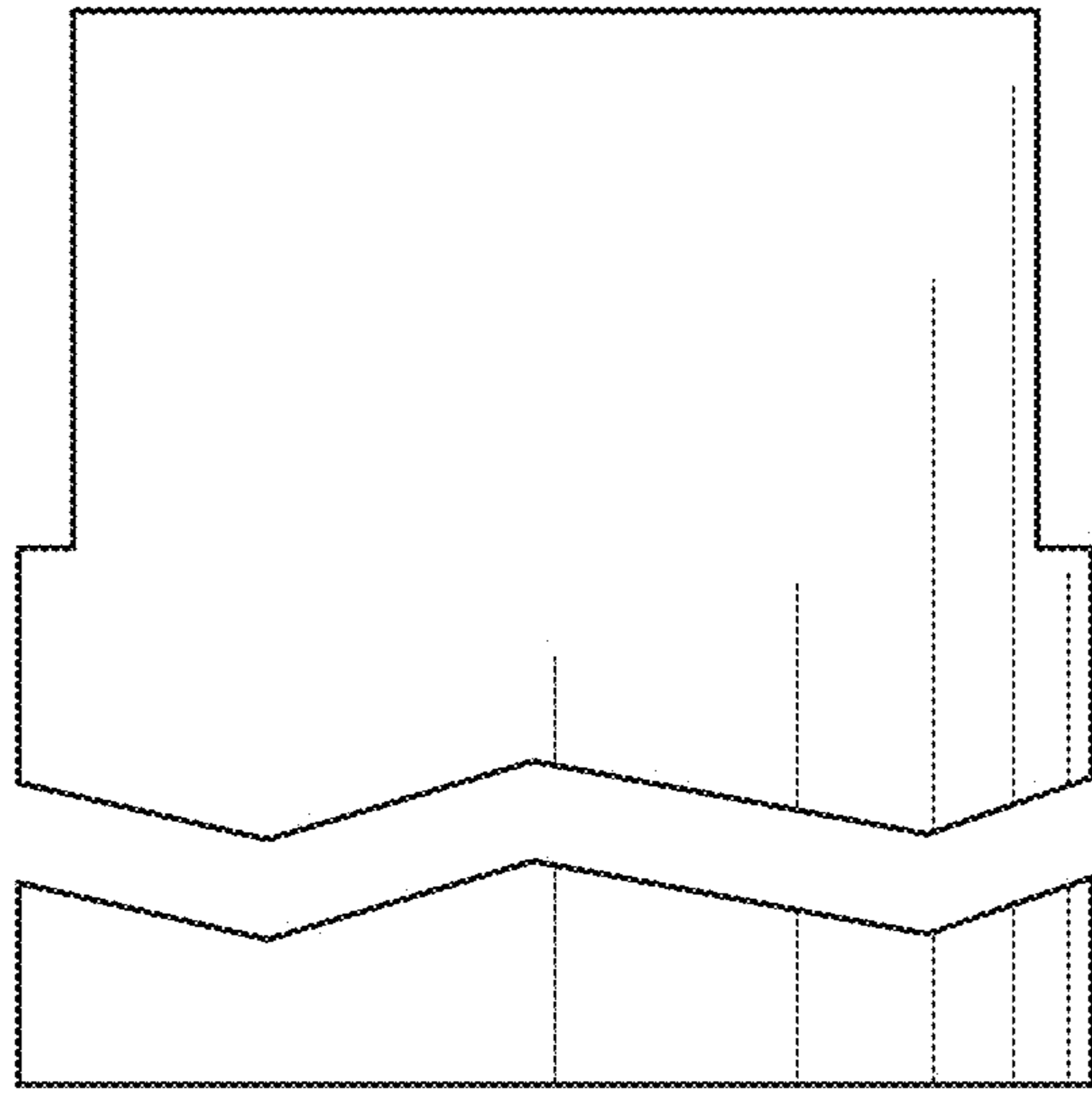


FIG. 3

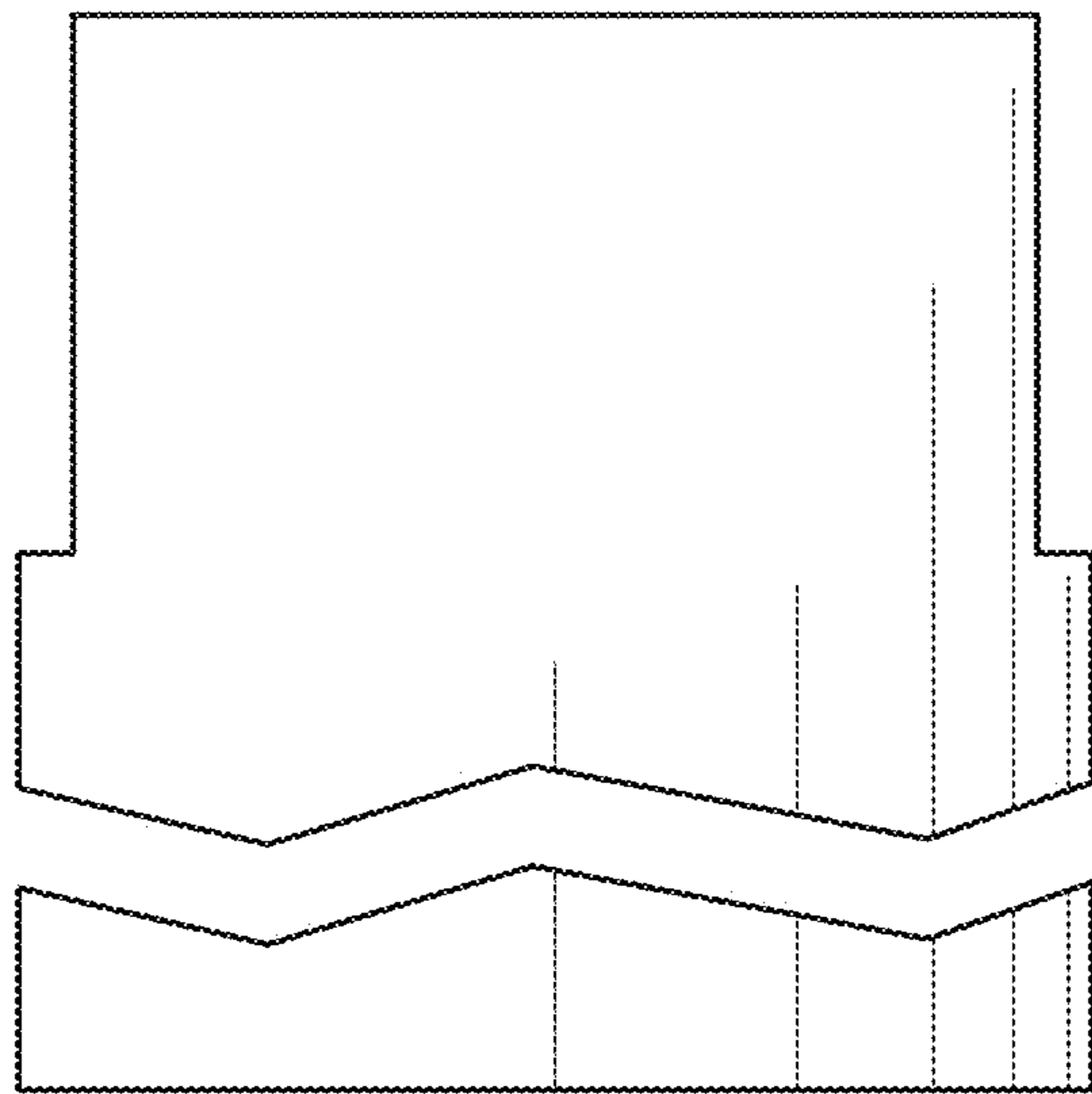


FIG. 4

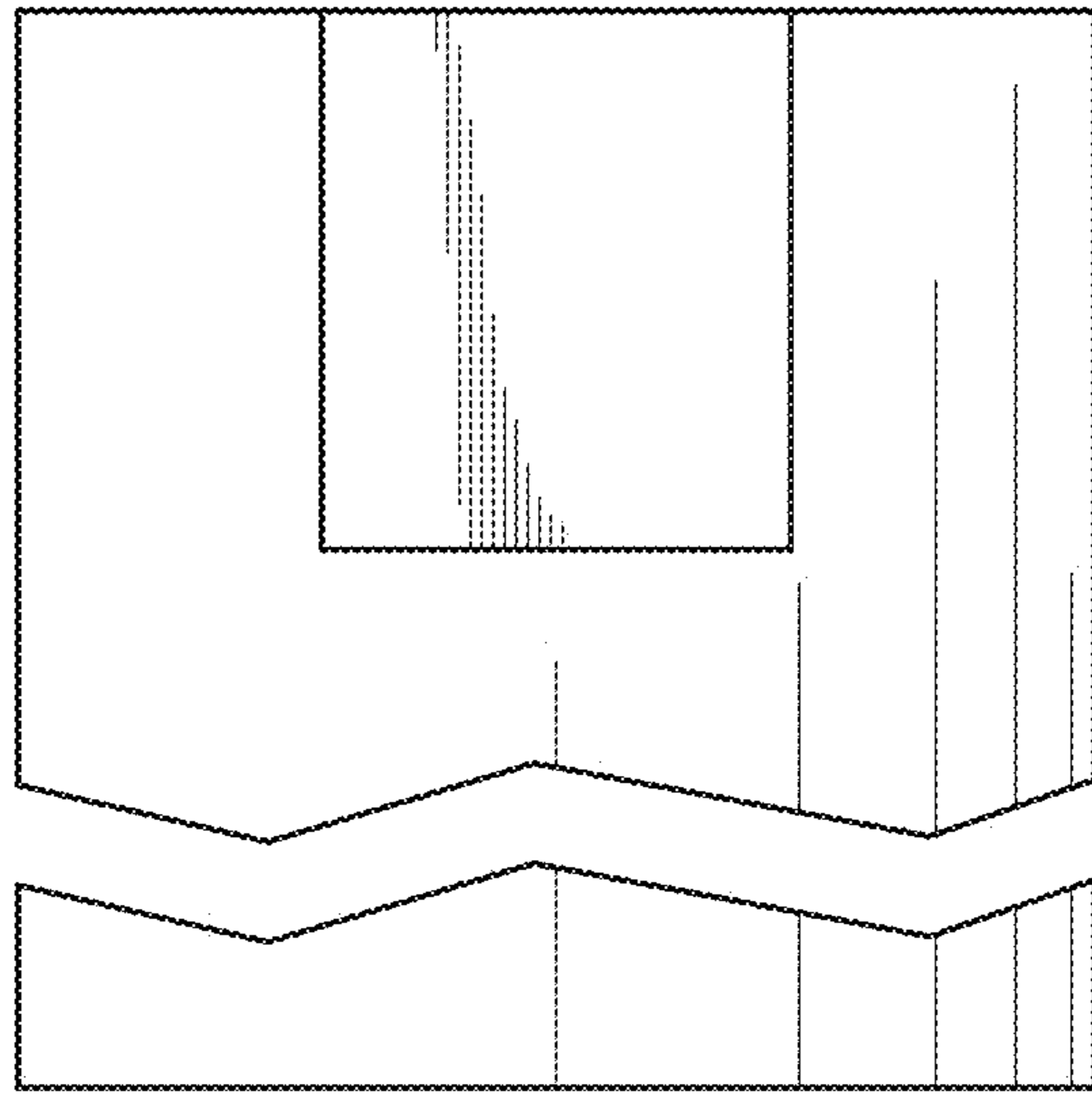


FIG. 5

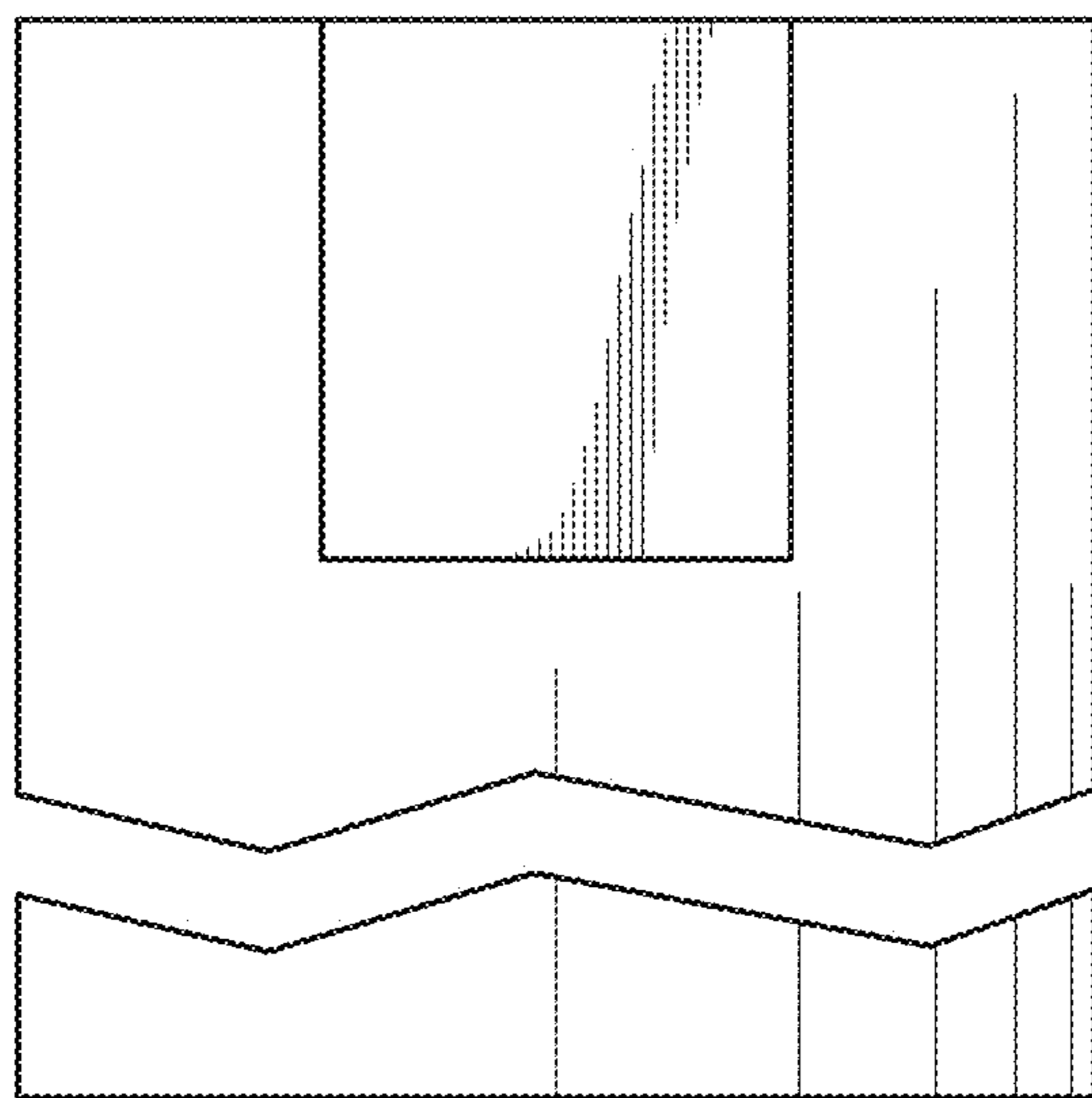


FIG. 6



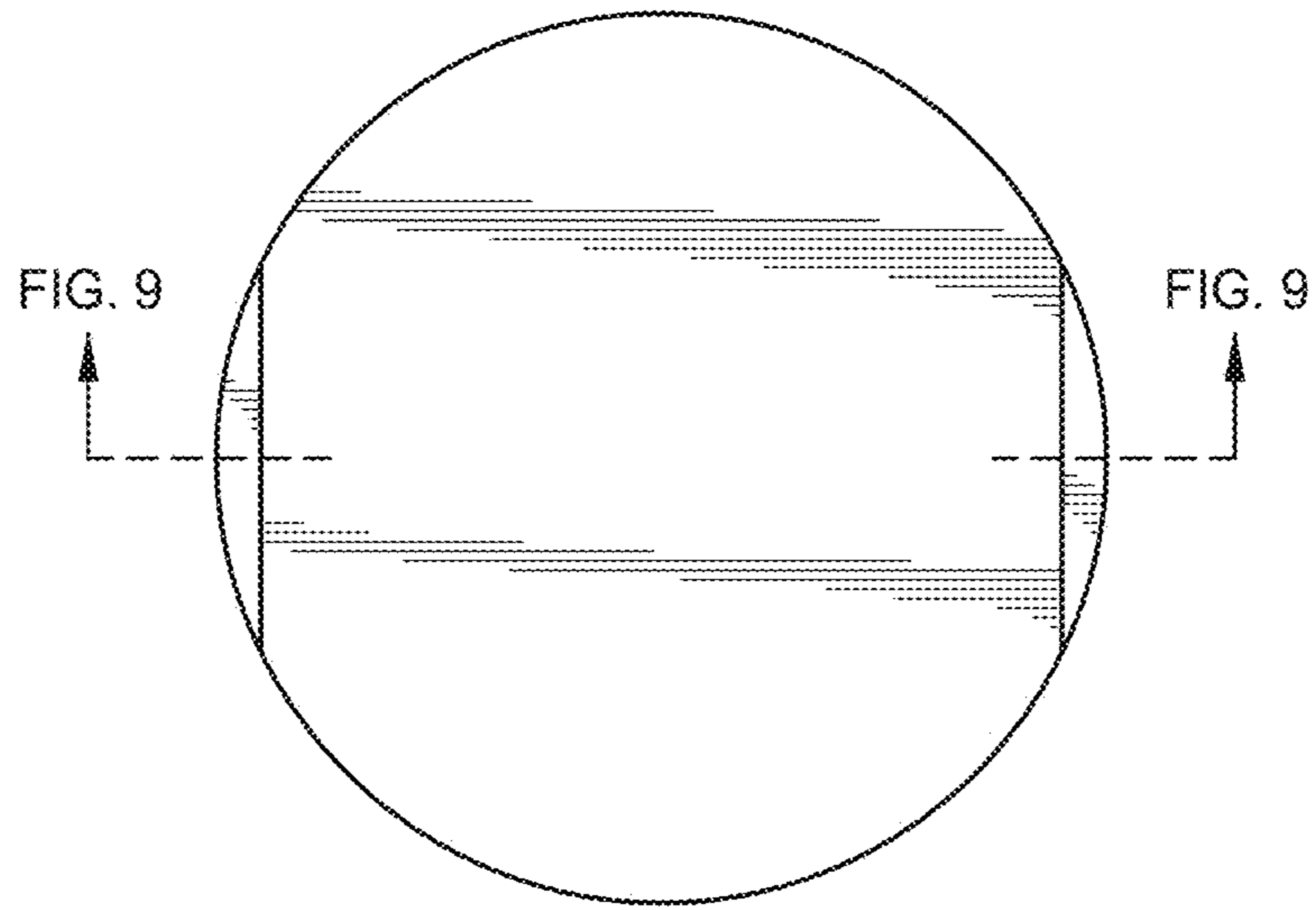


FIG. 7

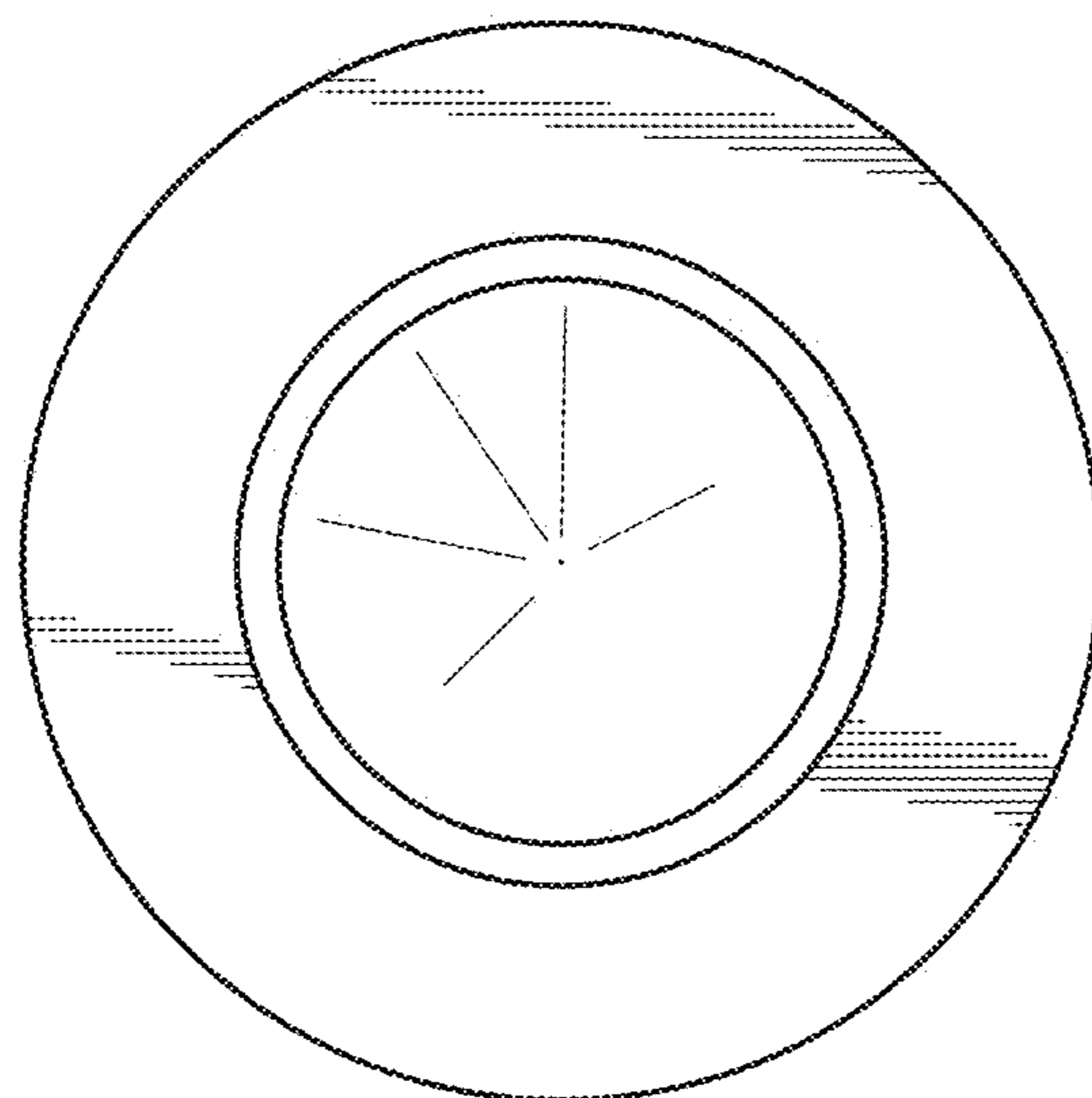


FIG. 8

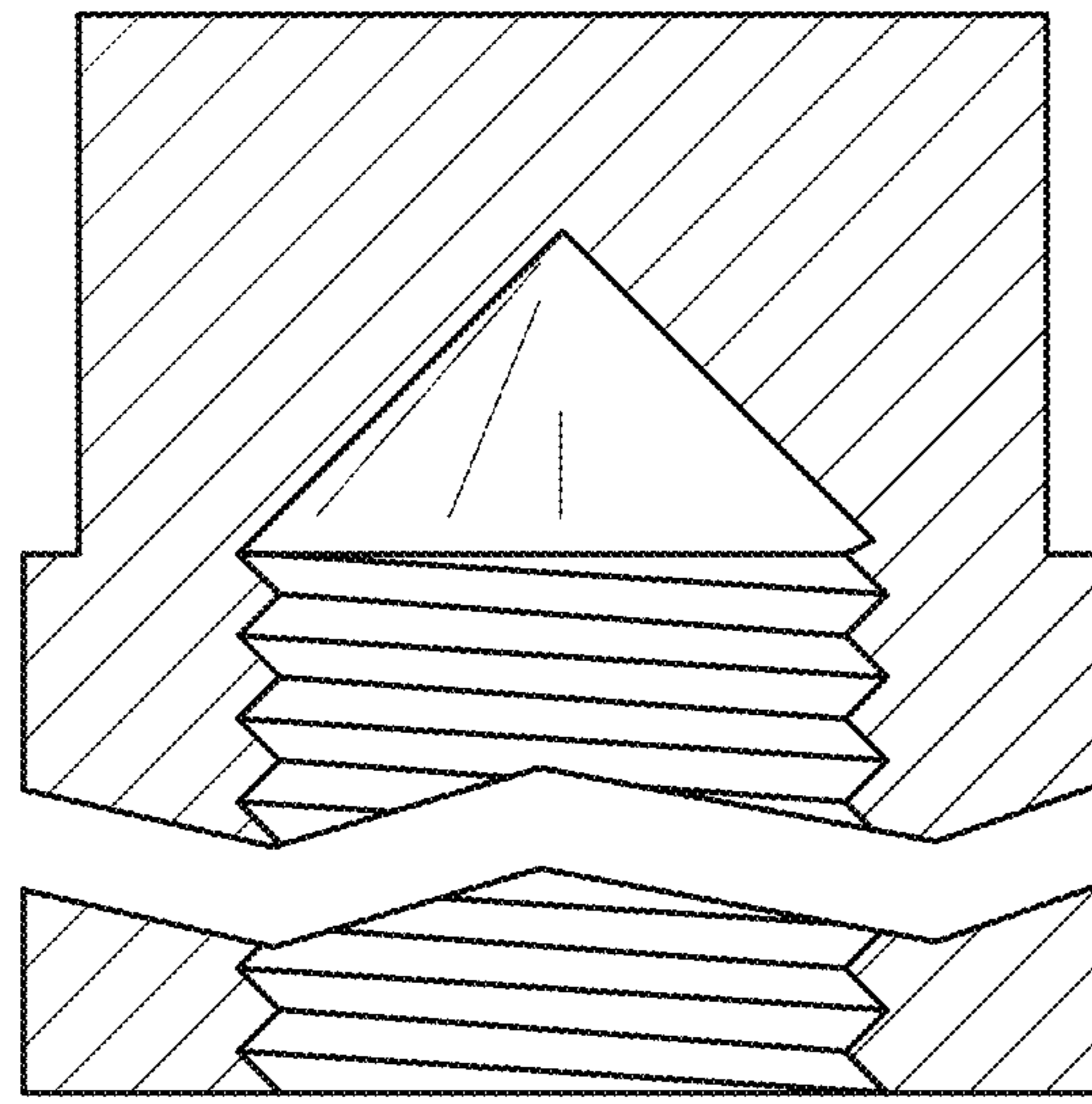


FIG. 9

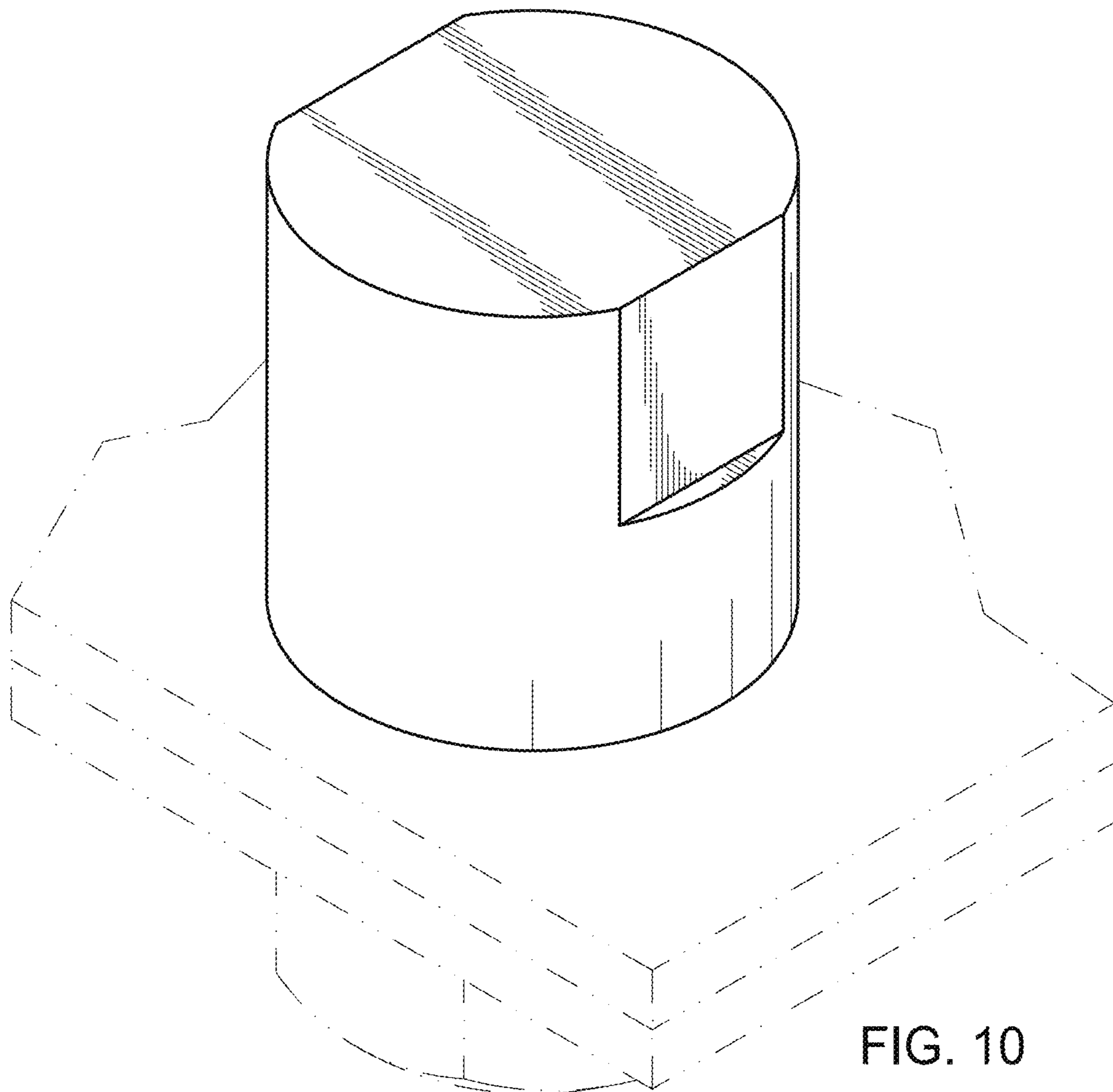


FIG. 10