



US00D918025S

(12) **United States Design Patent** (10) **Patent No.:** **US D918,025 S**
Bulte et al. (45) **Date of Patent:** **** May 4, 2021**

(54) **POUCH ATTACHMENT LADDER SYSTEM ADAPTER**

(71) Applicant: **Pono Life Pty Ltd as Trustee for The Pono Life Trust**, Melbourne (AU)

(72) Inventors: **Graeme Noel Bulte**, Berwick (AU);
Padraic Crunden-Smith, Pakenham (AU)

(73) Assignee: **Pono Life Pty Ltd as Trustee for The Pono Life Trust**, Melbourne (AU)

(**) Term: **15 Years**

(21) Appl. No.: **29/702,845**

(22) Filed: **Aug. 22, 2019**

(30) **Foreign Application Priority Data**

Mar. 15, 2019 (AU) 201911420

(51) **LOC (13) Cl.** **08-08**

(52) **U.S. Cl.**
USPC **D8/394**

(58) **Field of Classification Search**
USPC D25/62-65, 68; D8/373, 367, 349, 354,
D8/394, 395; D3/315, 226, 276, 228,
D3/201; D2/999, 633, 639
CPC A45F 5/02; A45F 2003/001; A45F 5/021;
A45F 2003/146; A45F 3/14; A45F 3/06;
A45F 2003/003; A45F 2200/0575; A45F
3/047; A45F 5/00; A44B 18/0073
See application file for complete search history.

(56) **References Cited**

U.S. PATENT DOCUMENTS

D317,571 S *	6/1991	Henriksson	D8/394
5,622,257 A *	4/1997	Deschenes	A41H 37/008 206/345
D392,747 S *	3/1998	Ferland	D25/68
9,565,922 B2 *	2/2017	Cole	A44B 18/0073
9,874,236 B1 *	1/2018	Tien	A45F 5/02
D830,159 S *	10/2018	Montgomery	D8/395
D832,460 S *	10/2018	Tien	D25/68
2010/0025560 A1 *	2/2010	Beck	A45F 5/02 248/558

* cited by examiner

Primary Examiner — Gino Colan

(57) **CLAIM**

The ornamental design for the pouch attachment ladder system adapter, as shown and described.

DESCRIPTION

FIG. 1 is a bottom view of a pouch attachment ladder system adapter showing our new design;
FIG. 2 is a front view thereof;
FIG. 3 is an isometric view thereof;
FIG. 4 is a right side view thereof;
FIG. 5 is a top view thereof; and,
FIG. 6 is a bottom perspective view thereof.

1 Claim, 6 Drawing Sheets

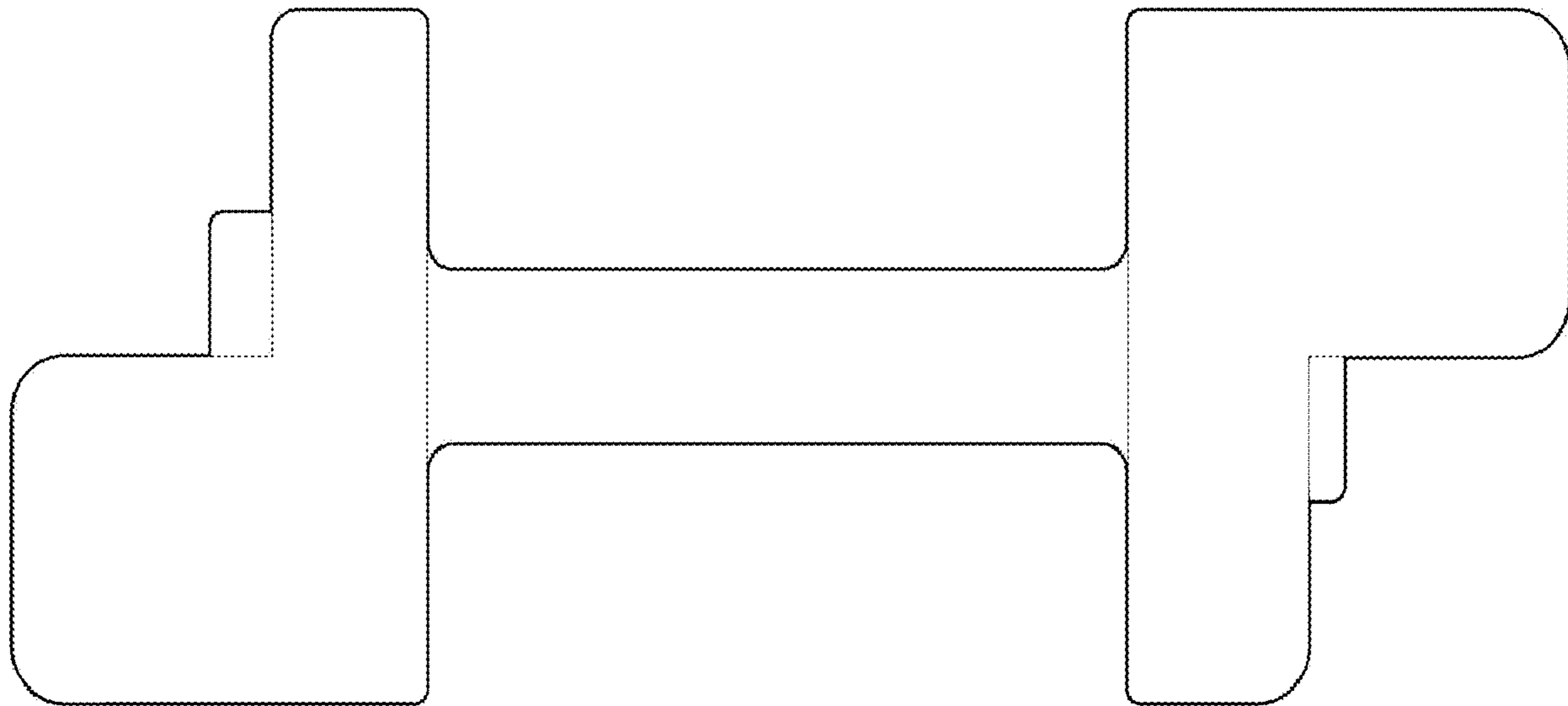


FIG. 1

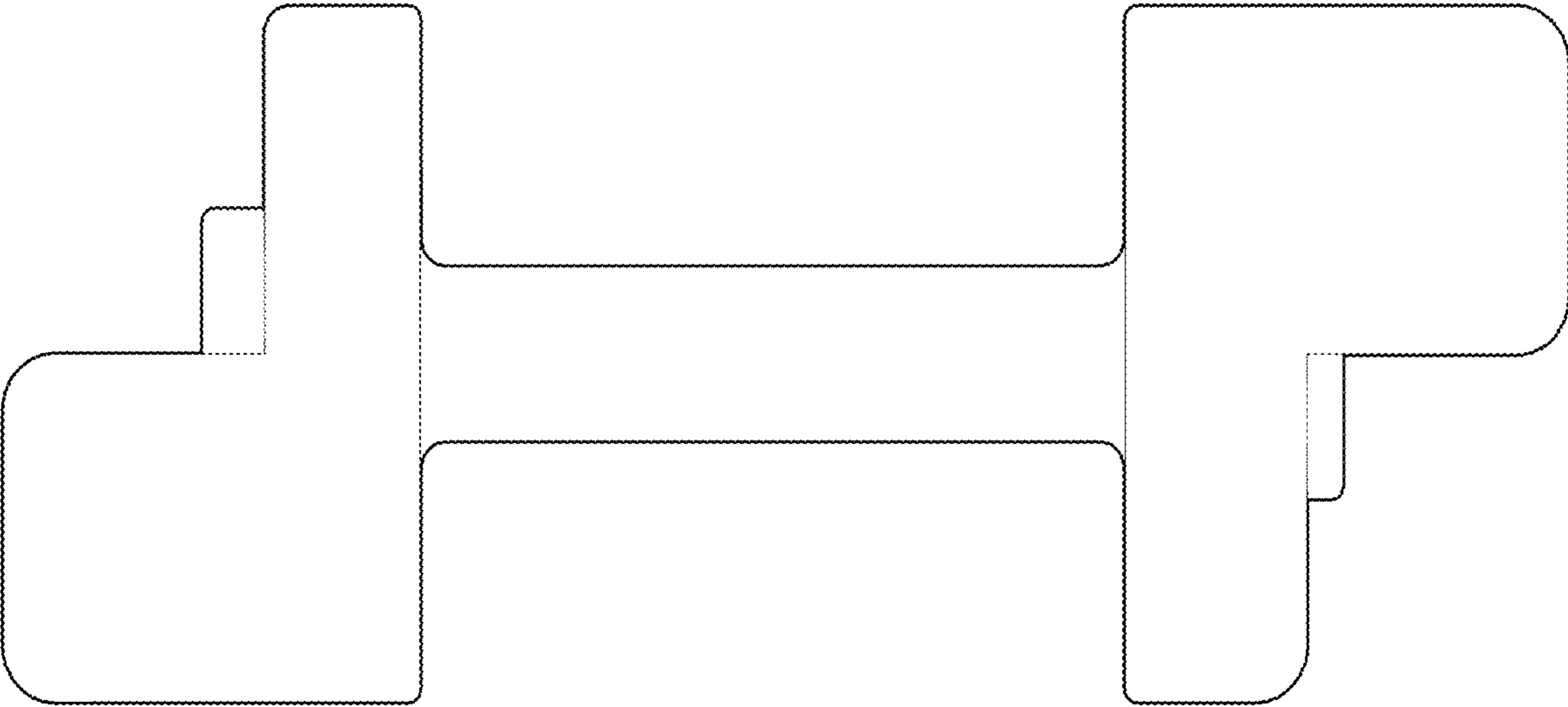


FIG. 2

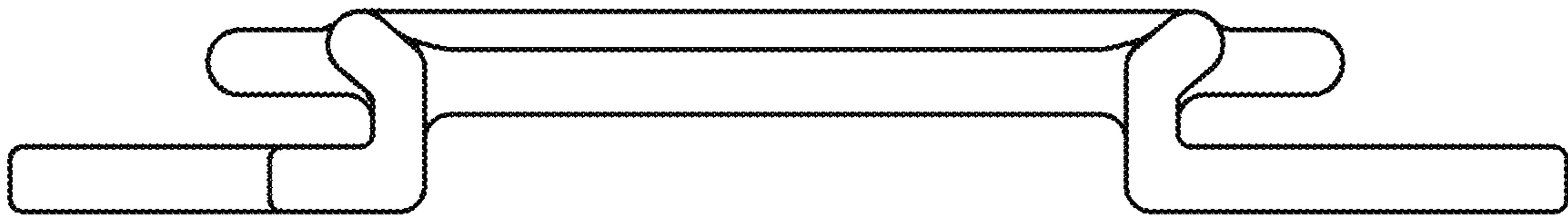


FIG. 3

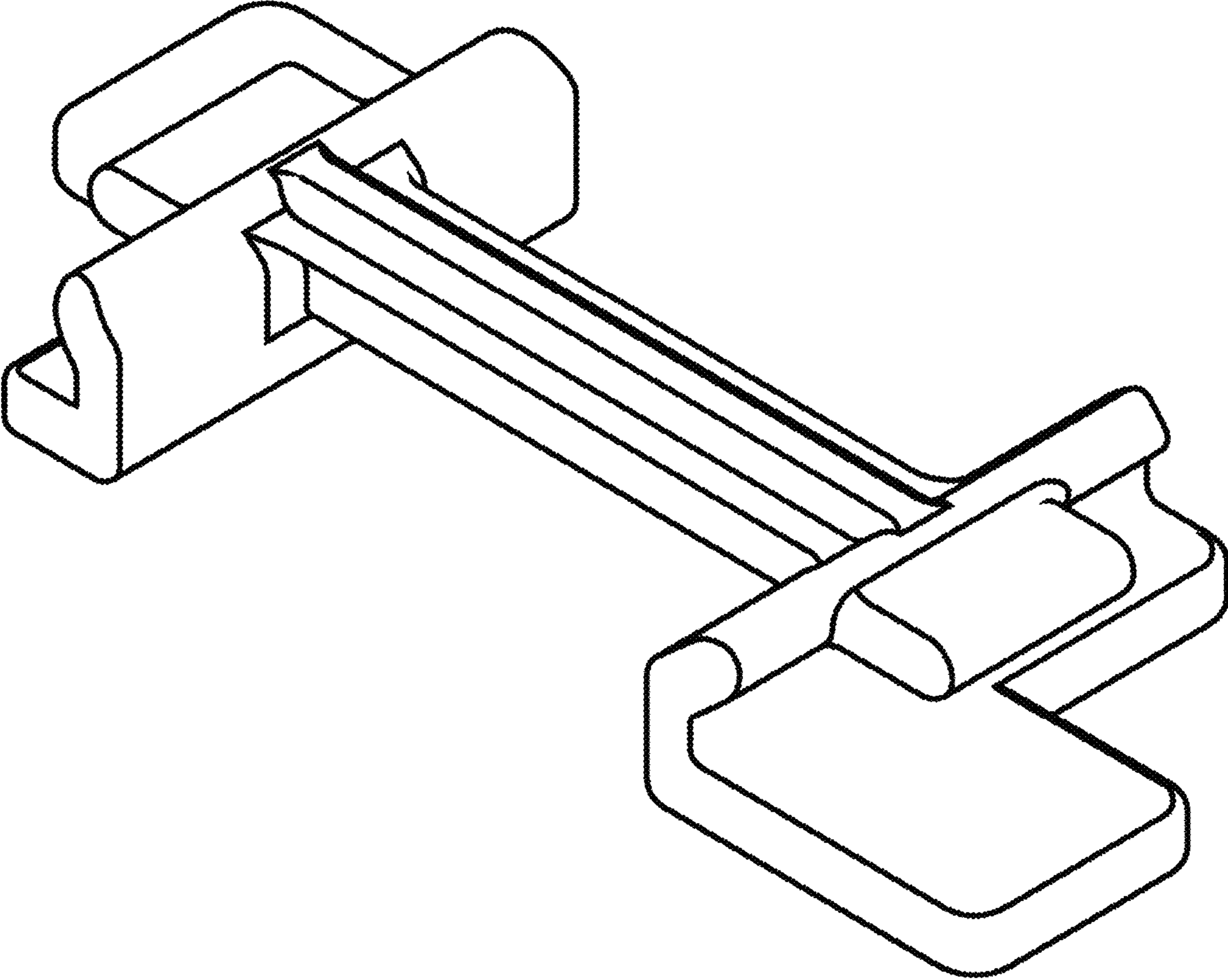


FIG. 4

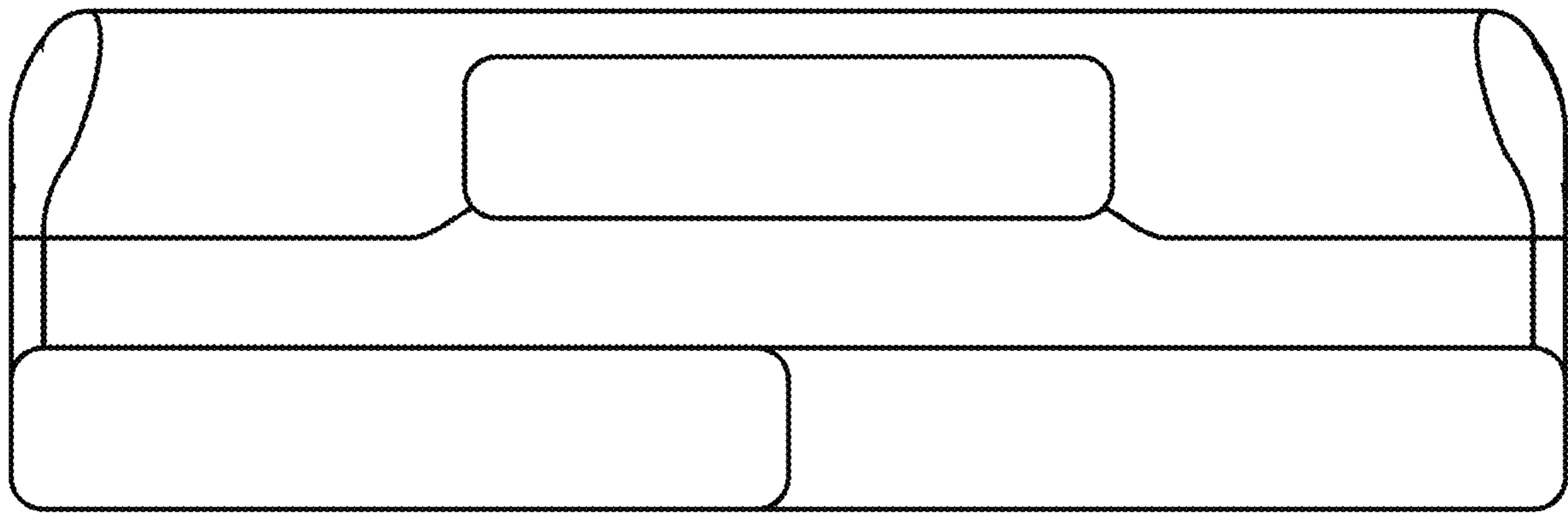


FIG. 5

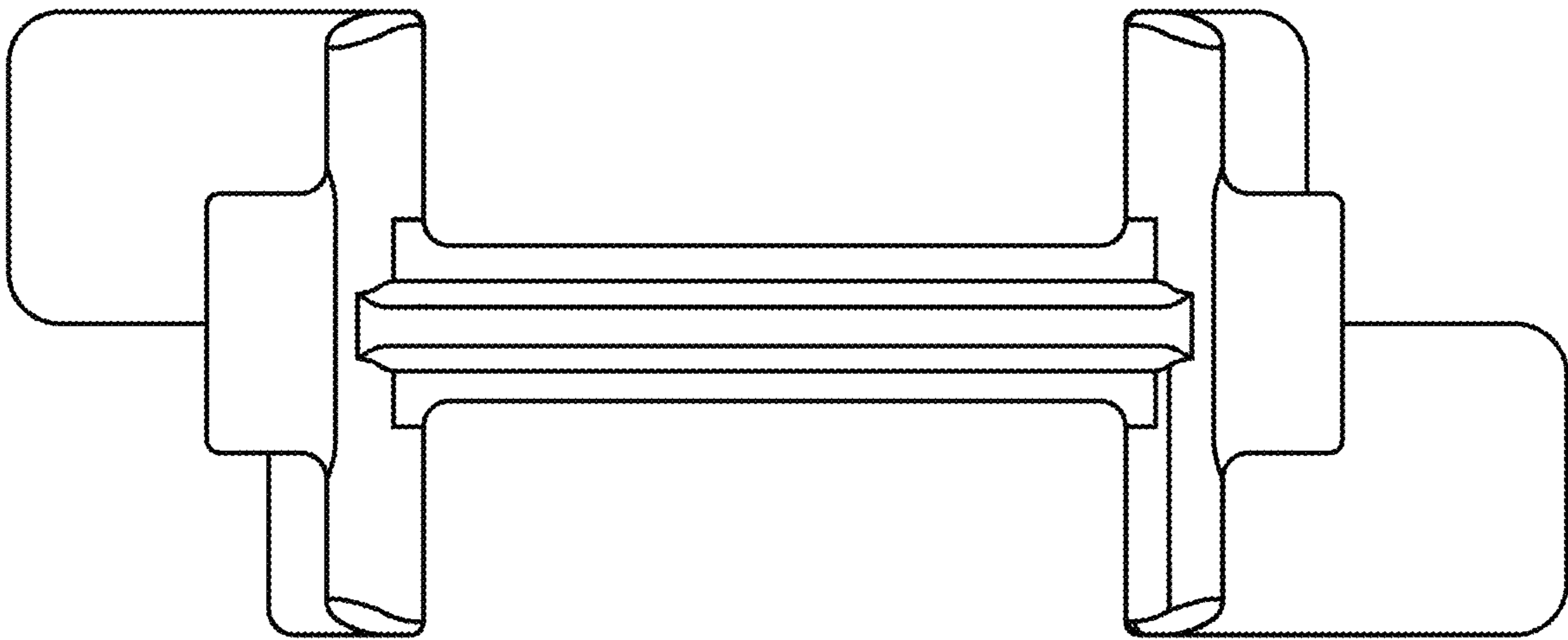


FIG. 6

