



US00D918024S

(12) **United States Design Patent**  
**Landgren**

(10) **Patent No.:** **US D918,024 S**

(45) **Date of Patent:** **\*\* May 4, 2021**

- (54) **SUPPORT TUBE**
- (71) Applicant: **Carl Landgren**, Milwaukee, WI (US)
- (72) Inventor: **Carl Landgren**, Milwaukee, WI (US)
- (\*\*) Term: **15 Years**
- (21) Appl. No.: **29/681,071**
- (22) Filed: **Feb. 22, 2019**
- (51) **LOC (13) Cl.** ..... **08-05**
- (52) **U.S. Cl.**  
USPC ..... **D8/380; D8/373**
- (58) **Field of Classification Search**  
USPC ..... D8/367, 373, 380, 381; D6/323, 567  
CPC ..... Y10S 16/43; A47B 57/42; A47B 96/061;  
A47B 96/028; A47B 57/52; A47B  
2220/0041; A47B 57/425; A47B 96/068;  
A47F 5/0823; A47F 5/01; A47F 5/0869;  
A47F 5/13; A47F 5/14  
See application file for complete search history.

(56) **References Cited**

U.S. PATENT DOCUMENTS

- 2,312,985 A \* 3/1943 Bales ..... A47F 5/0823  
248/220.43
- 3,483,995 A \* 12/1969 Larson ..... A47F 5/0815  
248/220.41
- 3,724,792 A \* 4/1973 Thalenfeld ..... A47F 5/0823  
248/220.41
- D300,003 S \* 2/1989 Hutchison ..... 248/220.42
- D322,555 S \* 12/1991 Kokenge ..... D8/380
- 5,163,567 A \* 11/1992 Betts, Sr. .... A47F 5/0815  
211/59.1
- 5,259,220 A \* 11/1993 Fredrickson ..... A47F 5/0861  
211/59.1
- D344,885 S \* 3/1994 Loew ..... D8/373
- 5,356,104 A \* 10/1994 Rosenberg ..... A47B 96/061  
248/223.41
- D374,366 S \* 10/1996 Eldon, III ..... D6/567

- 5,593,045 A \* 1/1997 Eldon, III ..... A47F 5/0823  
211/85.1
- D543,443 S \* 5/2007 Nankervis ..... D8/380
- 7,392,912 B2 \* 7/2008 Zandt ..... A47F 5/0823  
211/57.1
- D637,894 S \* 5/2011 Maurer ..... D8/373
- D760,068 S \* 6/2016 Sehl ..... D8/367
- 10,226,138 B2 \* 3/2019 Tear ..... A47F 5/0823
- 2005/0072746 A1 \* 4/2005 O'Brien ..... A47F 5/0823  
211/59.1
- 2008/0210827 A1 \* 9/2008 Samelson ..... A47F 5/0823  
248/56
- 2010/0102186 A1 \* 4/2010 Keyvanloo ..... A47B 96/061  
248/224.7
- 2010/0264102 A1 \* 10/2010 Barkdoll ..... A47F 5/0823  
211/106.01
- 2018/0116427 A1 \* 5/2018 Gupta ..... A47F 5/0838
- 2019/0290023 A1 \* 9/2019 Ma ..... E05B 63/0013

\* cited by examiner

*Primary Examiner* — Lauren R Calve

(74) *Attorney, Agent, or Firm* — Boyle Fredrickson, S.C.

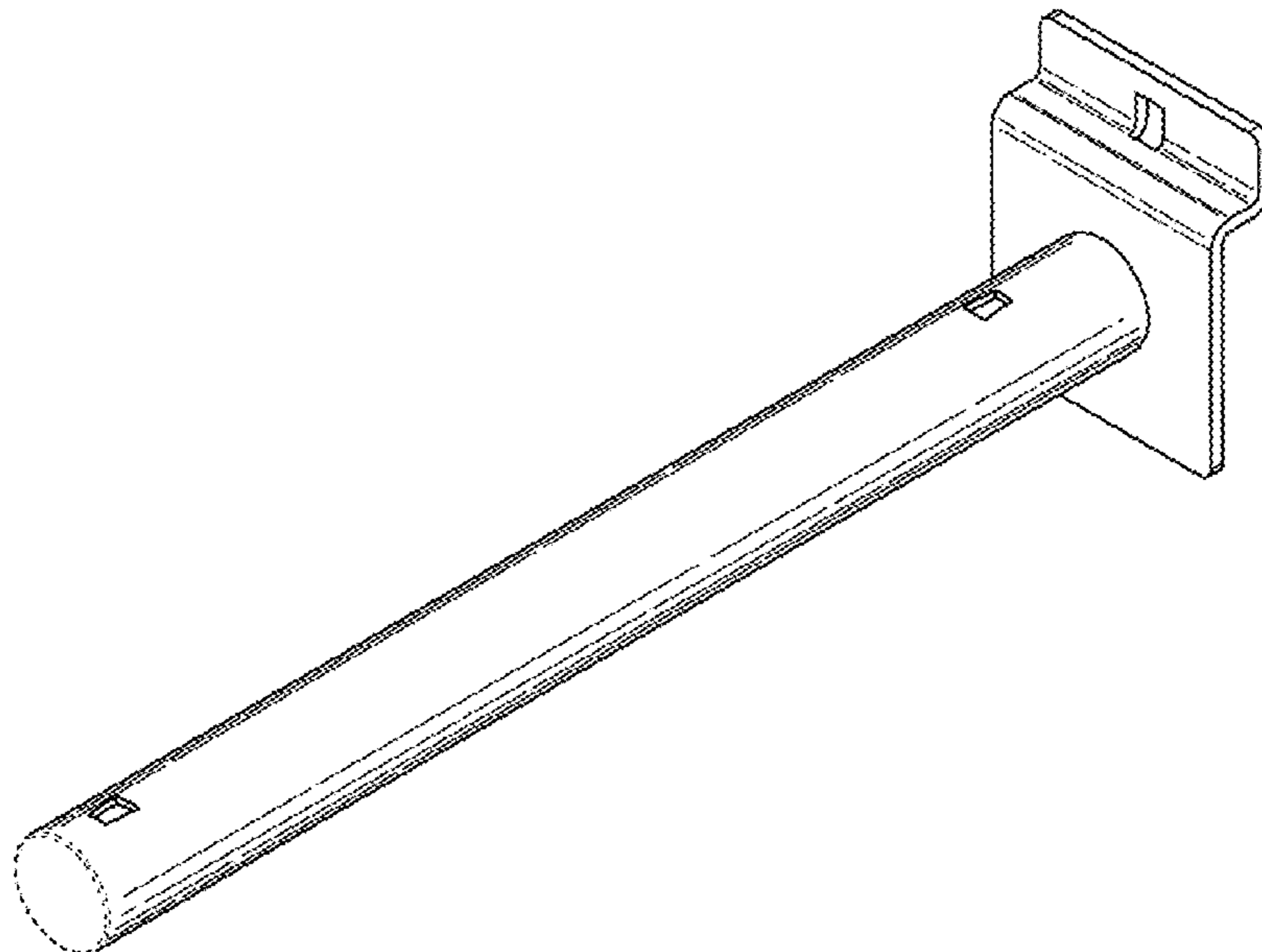
(57) **CLAIM**

The ornamental design for a support tube, as shown and described.

**DESCRIPTION**

FIG. 1 is a top isometric view of a support tube incorporating my new design;  
 FIG. 2 is a front elevation view thereof  
 FIG. 3 is a rear elevation view thereof;  
 FIG. 4 is a right side elevation, view thereof, the left side elevation view being a mirror image thereof;  
 FIG. 5 is a top plan view thereof;  
 FIG. 6 is a bottom plan view thereof; and,  
 FIG. 7 is a bottom isometric view thereof.  
 The broken lines in the drawings represent portions of the support tube that form no part of the claimed design.

**1 Claim, 7 Drawing Sheets**



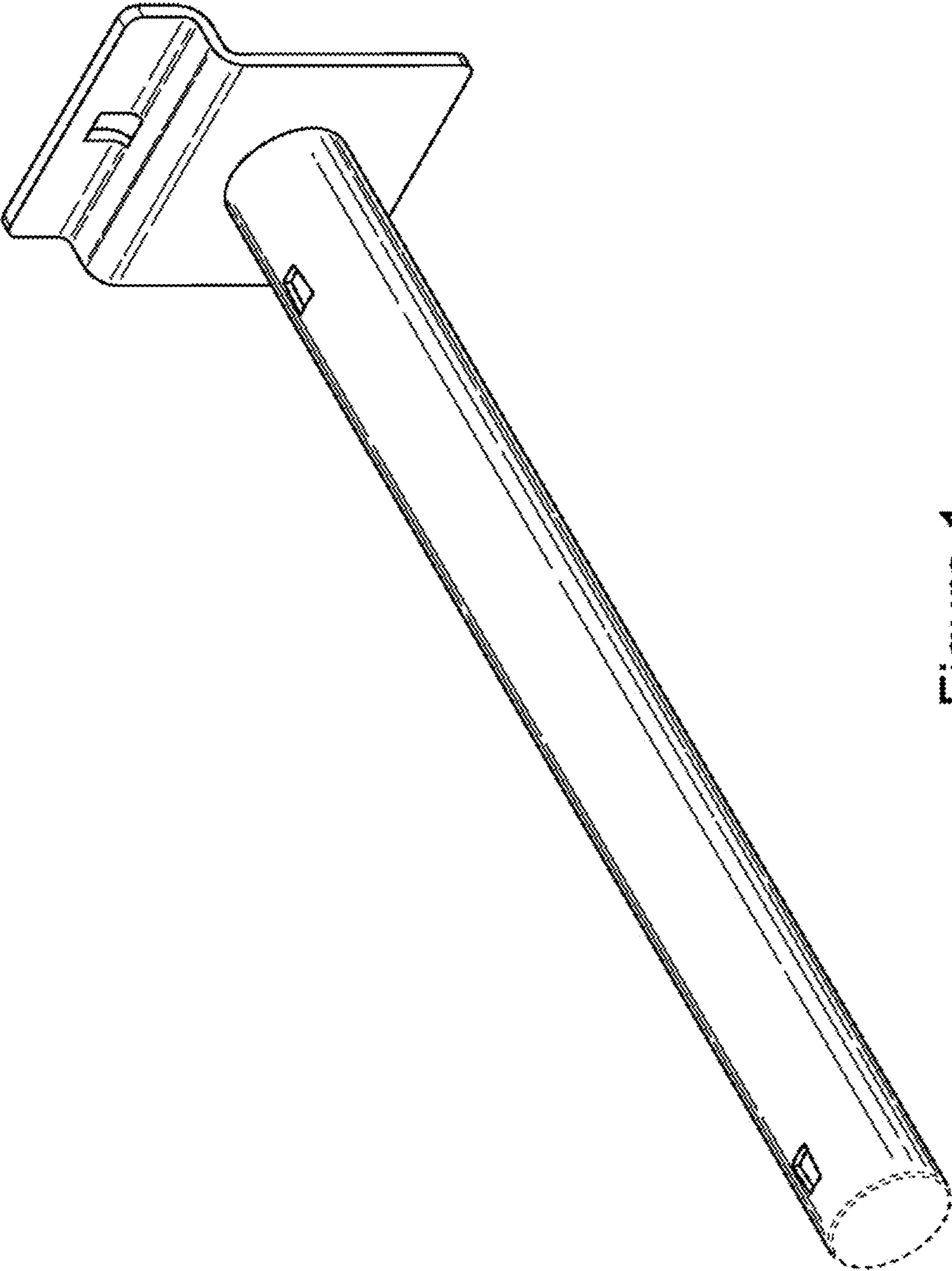


Figure 1

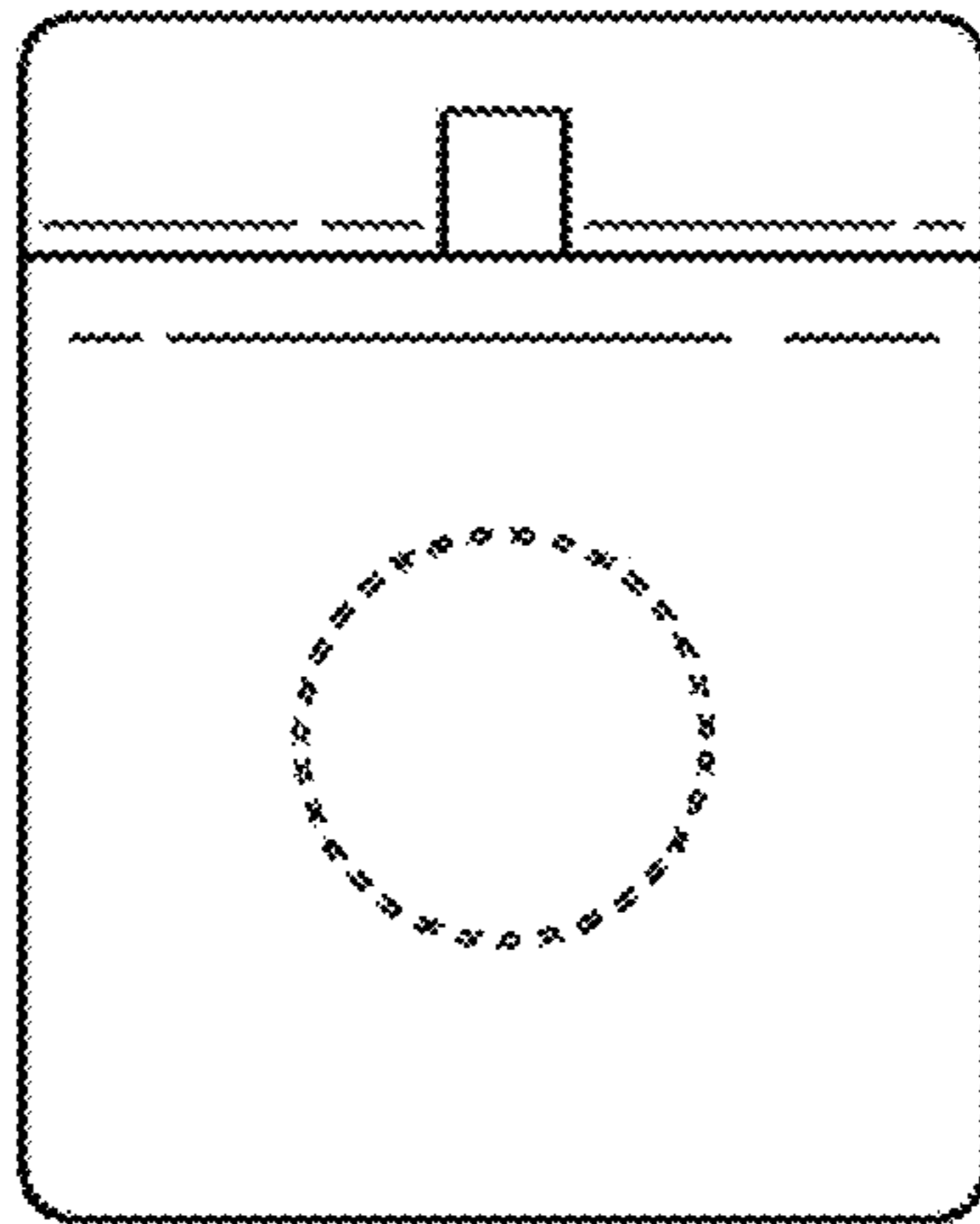


Figure 2

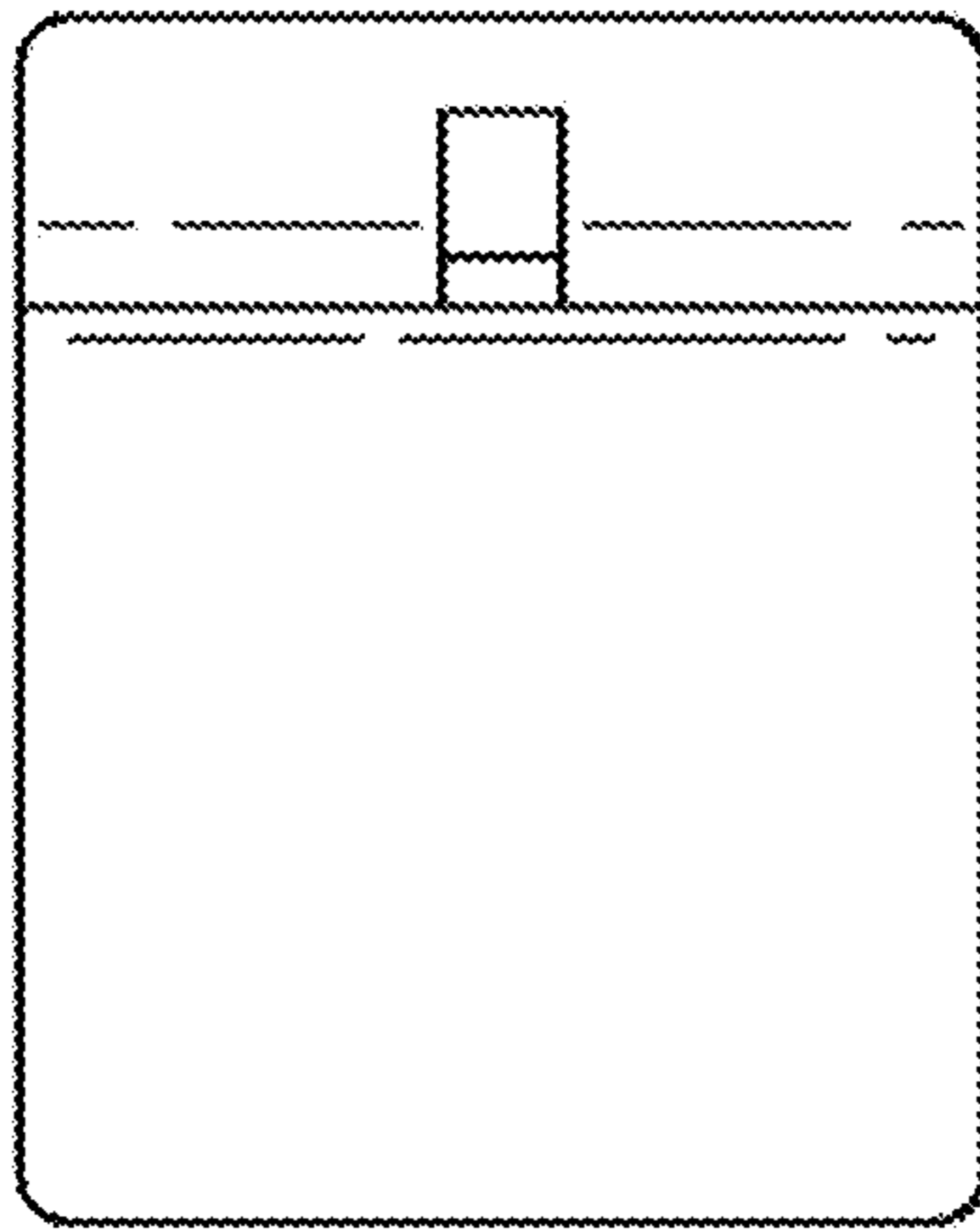


Figure 3

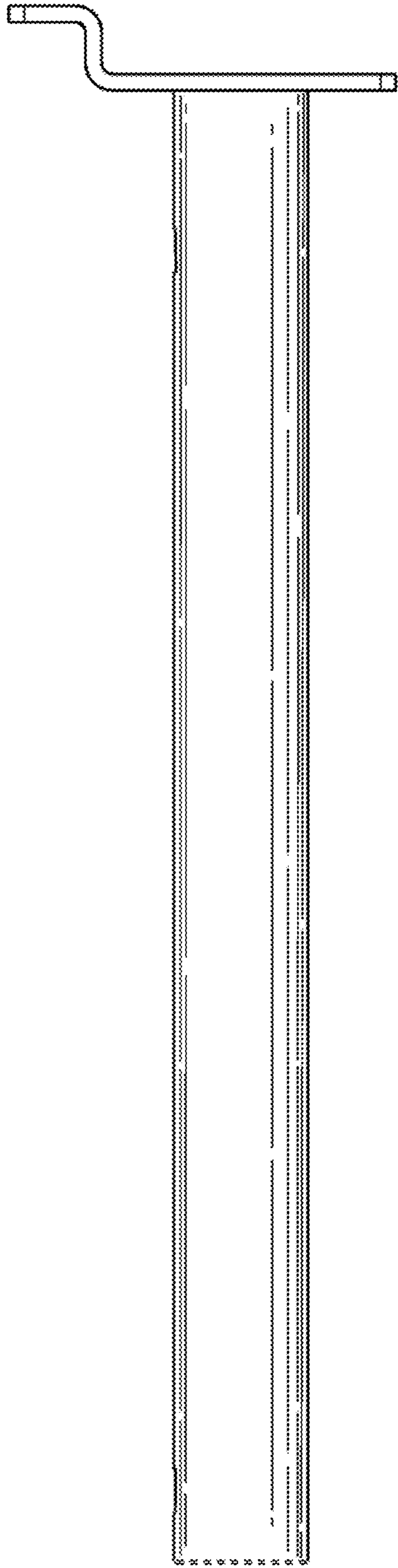


Figure 4

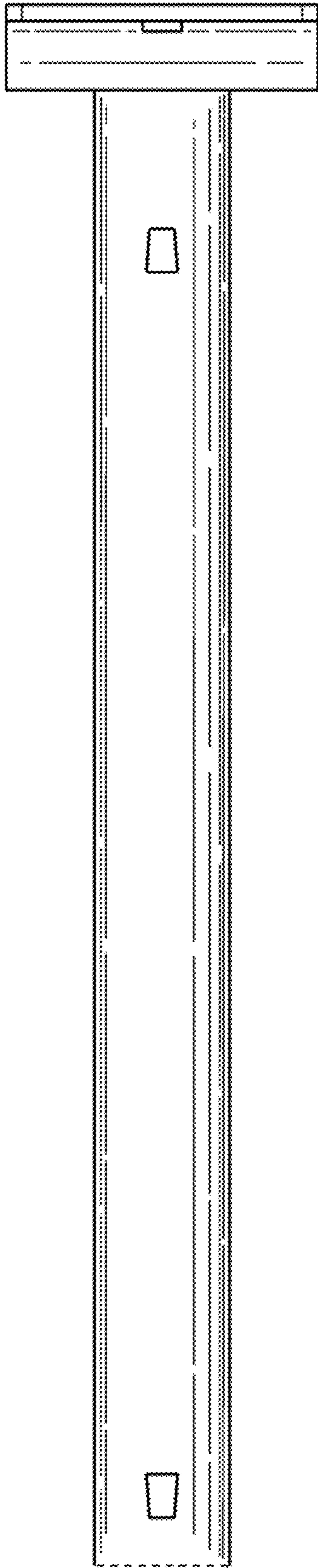


Figure 5

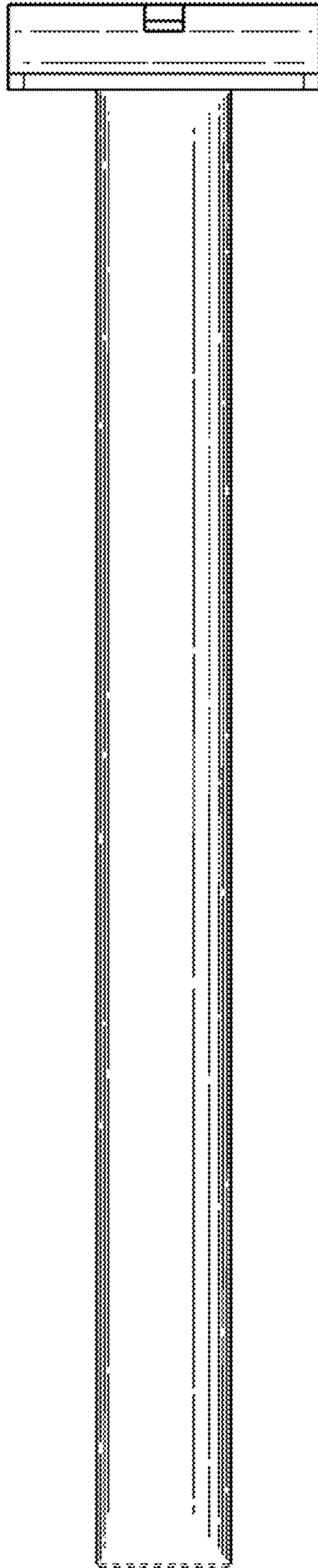


Figure 6

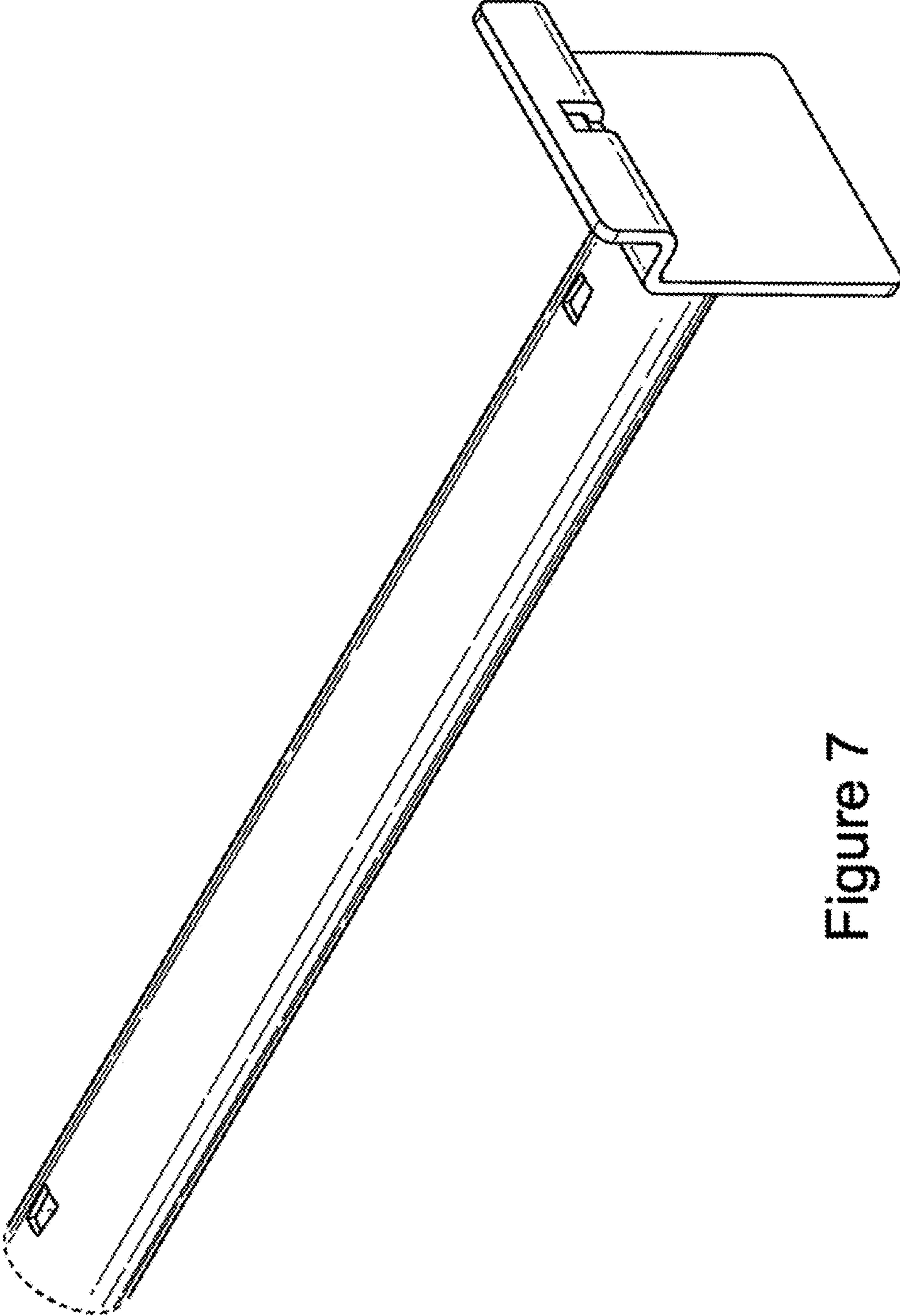


Figure 7