



US00D918022S

(12) **United States Design Patent** (10) **Patent No.:** **US D918,022 S**
Yu (45) **Date of Patent:** **** May 4, 2021**

(54) **CURTAIN HOLDBACK TIE**
(71) Applicant: **Xiuqin Yu**, Shangrao (CN)
(72) Inventor: **Xiuqin Yu**, Shangrao (CN)
(73) Assignee: **Xiuqin Yu**, Shangrao (CN)
(**) Term: **15 Years**
(21) Appl. No.: **29/745,362**
(22) Filed: **Aug. 5, 2020**
(51) **LOC (13) Cl.** **08-05**
(52) **U.S. Cl.**
USPC **D8/368**
(58) **Field of Classification Search**
USPC D8/367, 356, 354, 349, 18, 105, 368;
248/341; 224/217; 24/1, 702
CPC A45F 5/021; A44B 13/0029; F16B 45/00;
F16M 13/02
See application file for complete search history.

D475,278 S * 6/2003 Williams D3/328
D519,310 S * 4/2006 Schorling D6/580
D573,875 S * 7/2008 Anderson D8/367
D583,664 S * 12/2008 Franzone, Jr. D9/434
D597,825 S * 8/2009 Ho D8/367
D618,536 S * 6/2010 Eason D8/349
7,771,221 B1 * 8/2010 Blackwell H01R 13/52
439/282
7,954,515 B2 * 6/2011 Gerst F16L 55/1141
138/89
D642,450 S * 8/2011 Freese D8/367
(Continued)

Primary Examiner — Cynthia R Underwood
(74) Attorney, Agent, or Firm — Zhihua Han; Wen IP
LLC

(57) **CLAIM**

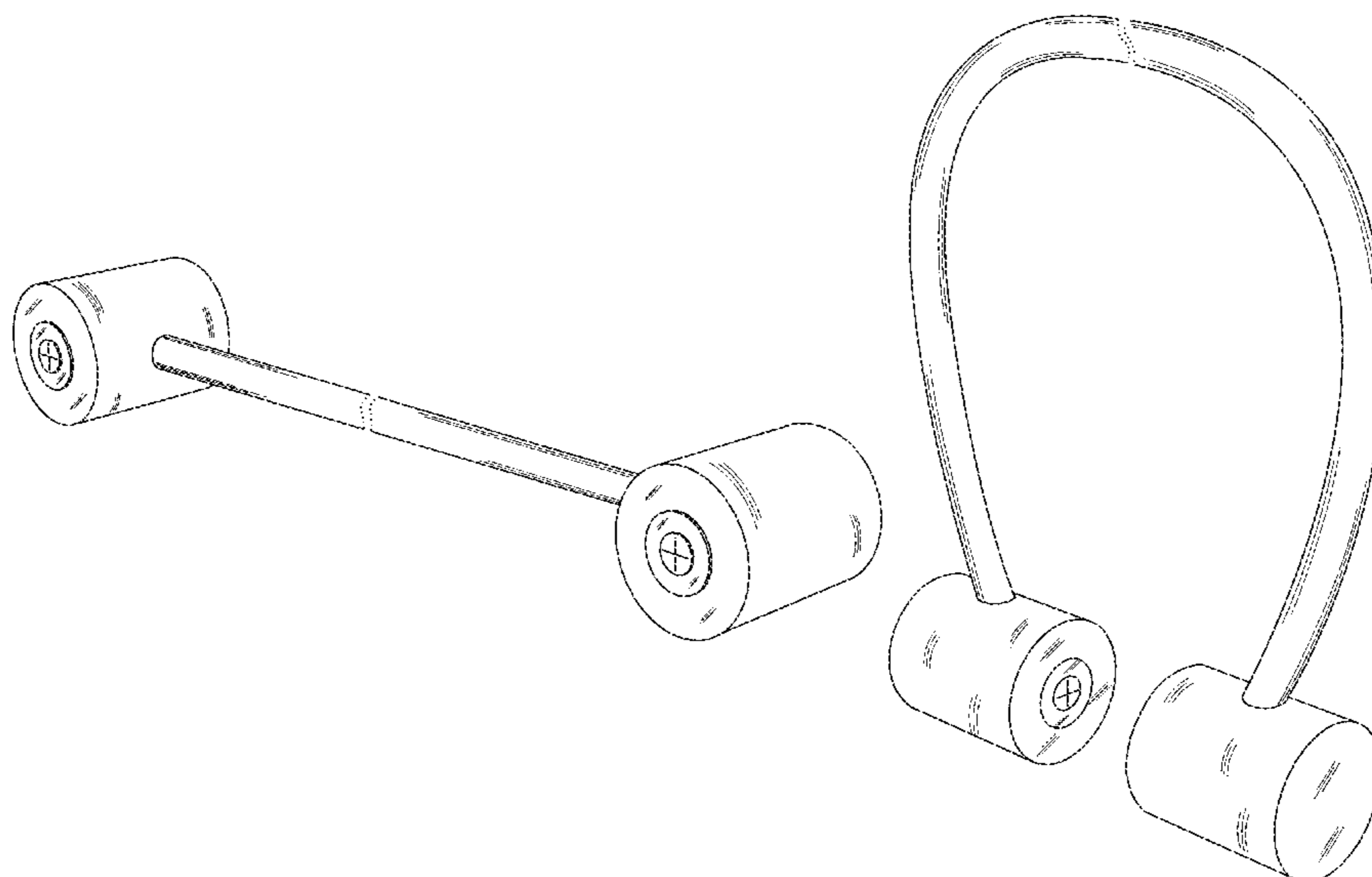
The ornamental design for a curtain holdback tie, as shown and described.

DESCRIPTION

FIG. 1 is a perspective view of a curtain holdback tie, showing my new design;
FIG. 2 is a front elevational view thereof;
FIG. 3 is a rear elevational view thereof;
FIG. 4 is a left-side elevational view thereof.
FIG. 5 is right-side elevational view thereof;
FIG. 6 is a top plan view thereof;
FIG. 7 is a bottom plan view thereof;
FIG. 8 is perspective view thereof when the opposite ends of the curtain holdback tie are brought close to each other; and,
FIG. 9 is a front elevational view of how the curtain holdback tie are utilized in order to retain curtains in their held back position.
The broken lines represent an environment of use and form no part of the claim. The broken away symbols in the drawings indicate that any portion of the article beyond what is shown forms no part of the claim.

(56) **References Cited**
U.S. PATENT DOCUMENTS
1,377,066 A * 5/1921 Garrabrant A47H 19/00
24/1
2,365,664 A * 12/1944 Troensegaard A47H 19/00
160/349.2
2,473,086 A * 6/1949 Montero A47G 29/083
248/308
2,840,155 A * 6/1958 Stern A47H 13/00
160/124
D221,056 S * 7/1971 Minoff D8/367
4,558,495 A * 12/1985 Olsen B23B 45/006
24/16 PB
D286,261 S * 10/1986 Smederod 160/349.2
D296,299 S * 6/1988 Bussell D10/32
D357,624 S * 4/1995 Ferdman D8/368
D366,999 S * 2/1996 Ferdman D8/368
D379,920 S * 6/1997 Bozzo D8/368
5,670,221 A * 9/1997 Bried A47H 1/02
160/314

1 Claim, 9 Drawing Sheets



(56)

References Cited

U.S. PATENT DOCUMENTS

8,534,626	B1 *	9/2013	Freese	A47G 29/083 248/305
D721,570	S *	1/2015	Caughron	D8/367
9,084,502	B2 *	7/2015	Lapadula	A47H 19/00
D762,589	S *	8/2016	Sanftleben	B60D 1/58 D13/156
D787,303	S *	5/2017	Garvin	D8/367
D795,678	S *	8/2017	Early	D8/367
D813,654	S *	3/2018	Erickson	D8/367
D838,060	S *	1/2019	Bitar	D30/153
D848,246	S *	5/2019	Jones	D8/368
D866,304	S *	11/2019	Qi	
D868,568	S *	12/2019	Elliott	D8/367
D891,233	S *	7/2020	Yu	D8/367
10,746,324	B1 *	8/2020	Roth	H02G 3/30
D910,424	S *	2/2021	Yu	D8/368
D911,154	S *	2/2021	Jiao	D8/368
2002/0151930	A1 *	10/2002	Mills	A61H 39/04 606/204
2019/0101152	A1 *	4/2019	Turbenson	F16B 2/248

* cited by examiner

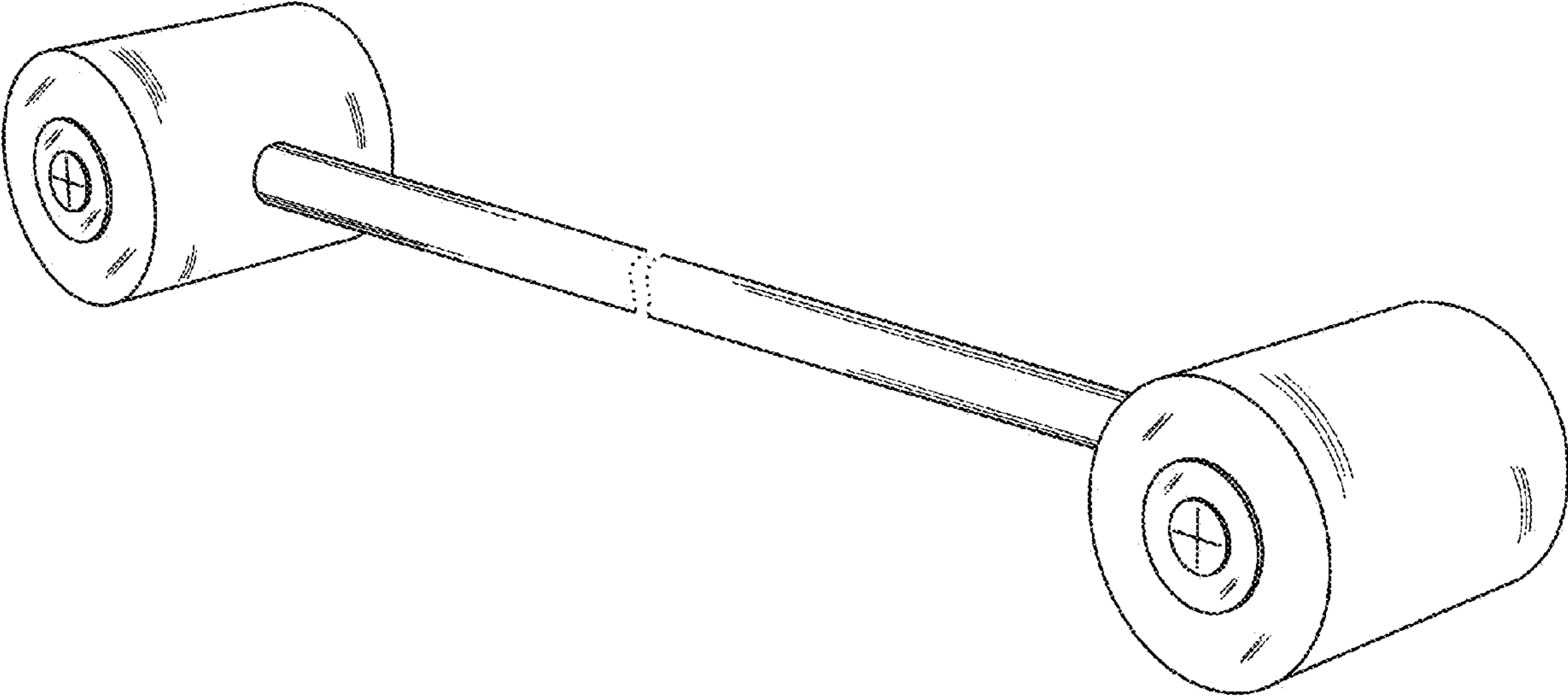


Fig.1

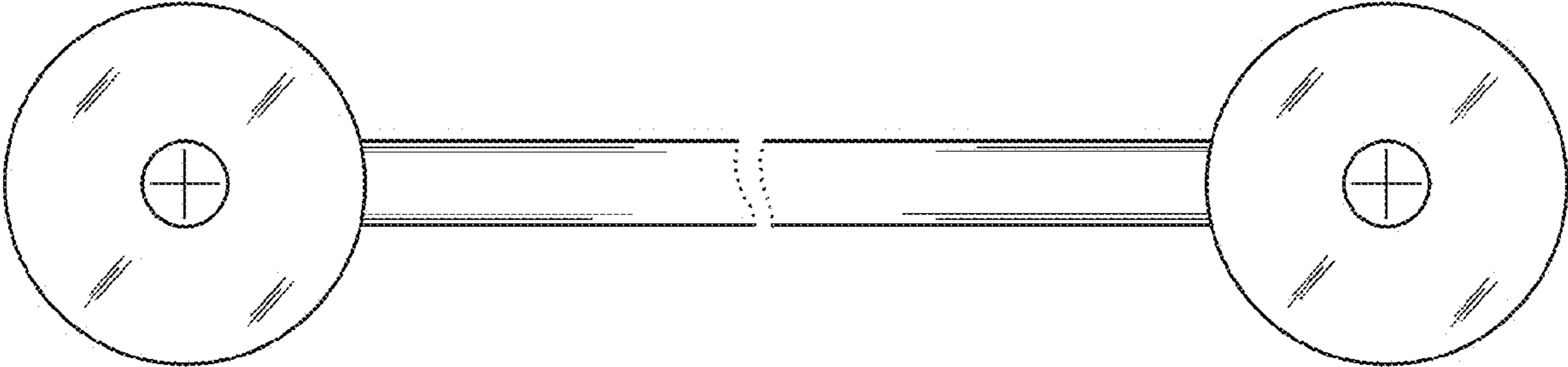


Fig.2

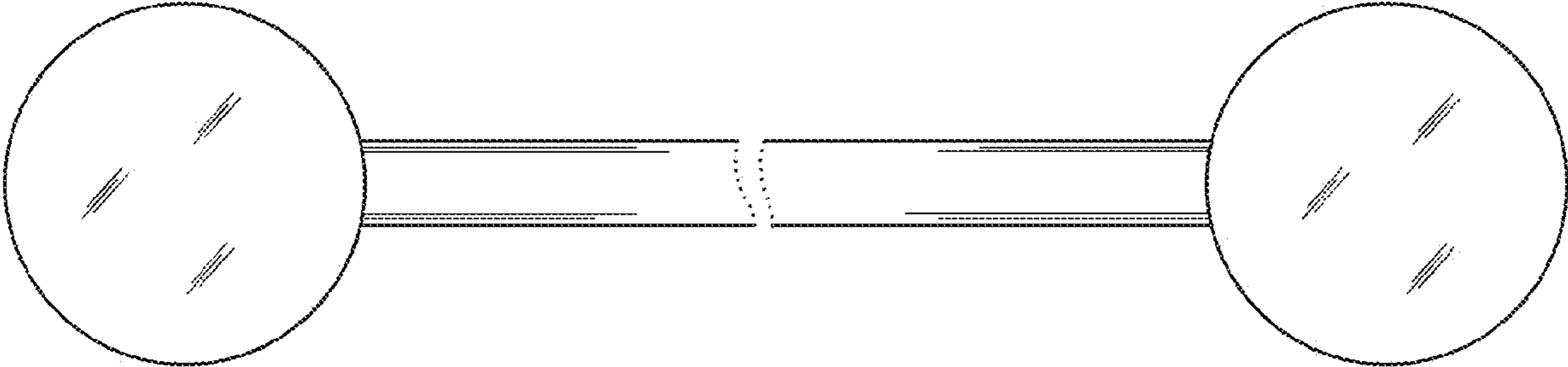


Fig.3

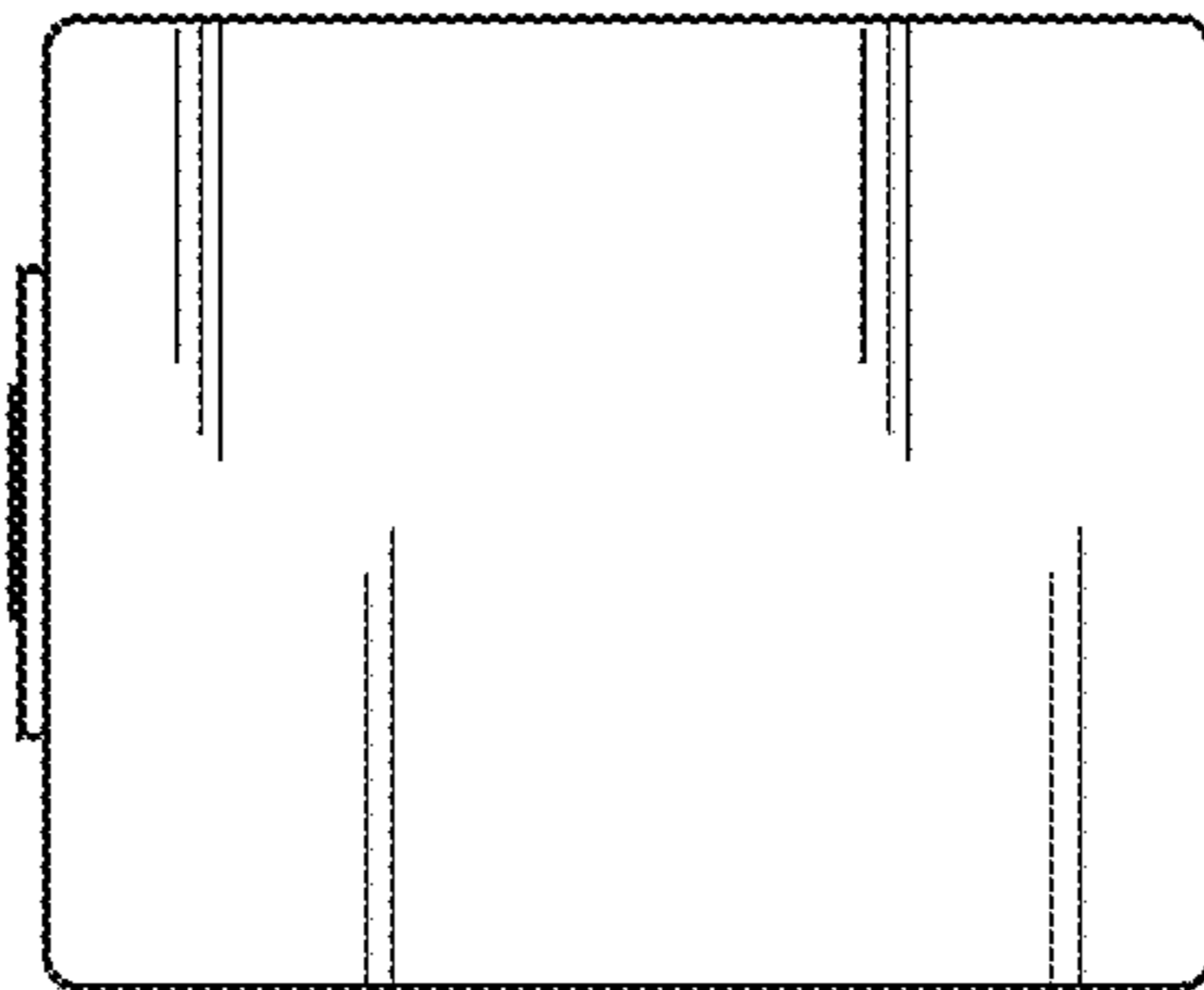


Fig.4

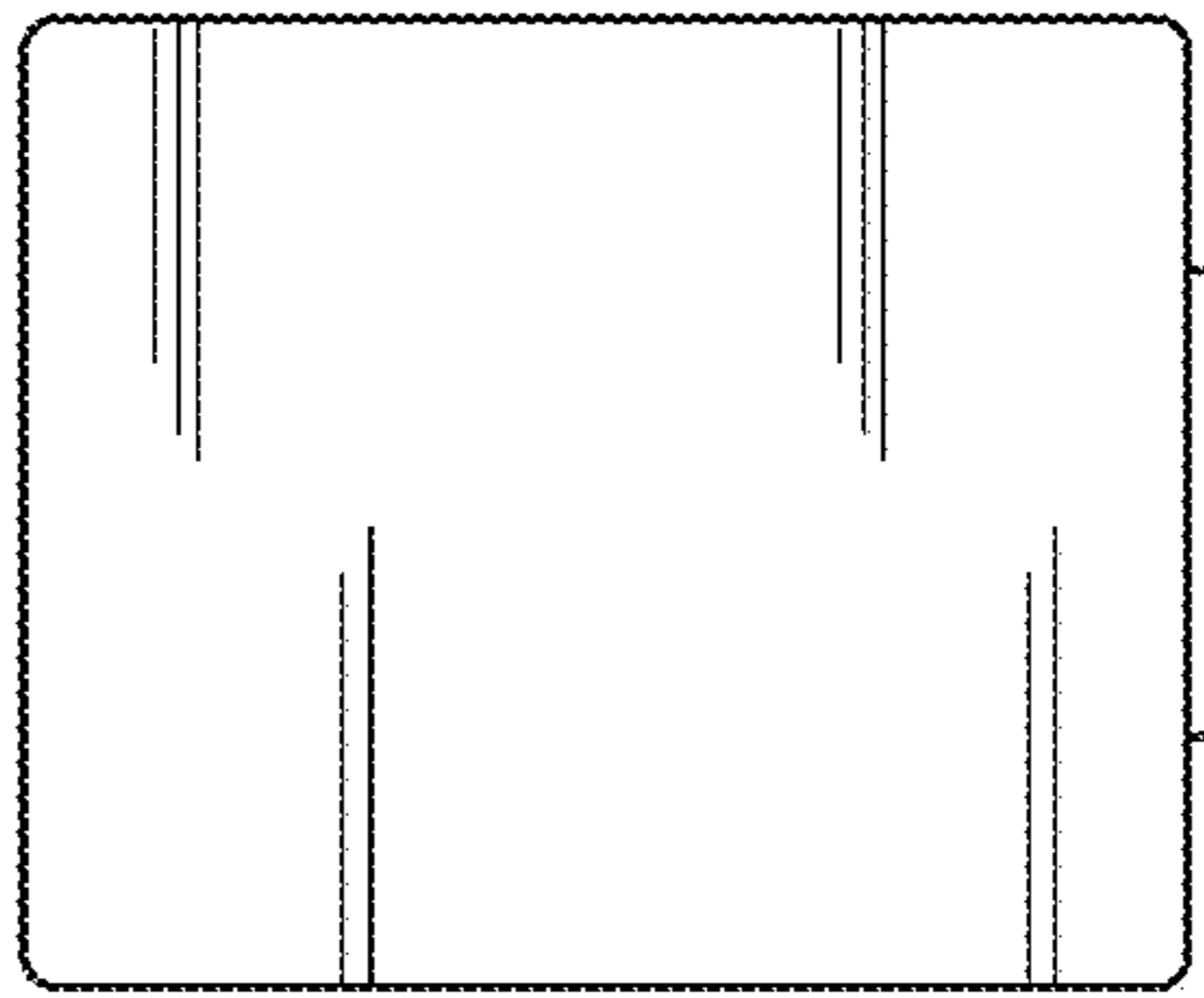


Fig.5

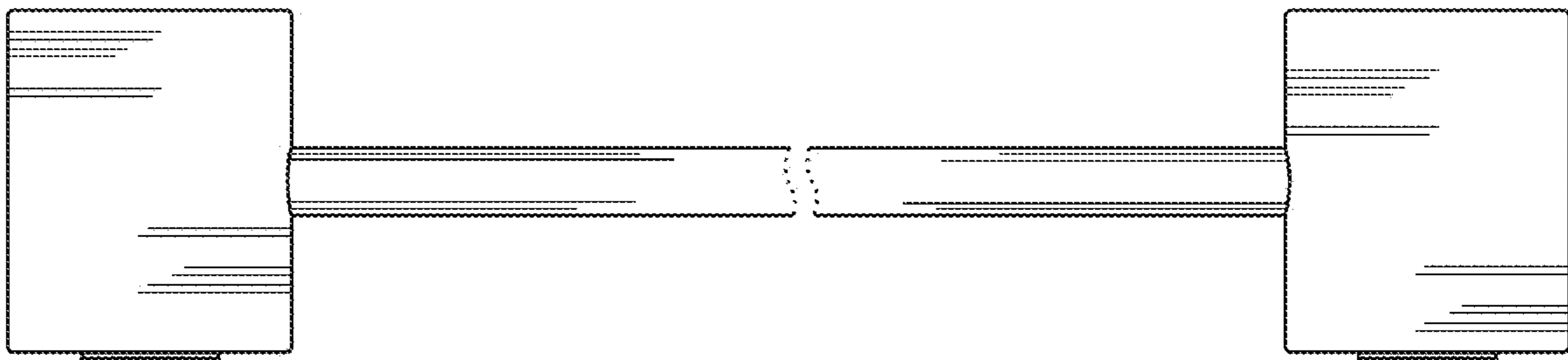


Fig.6

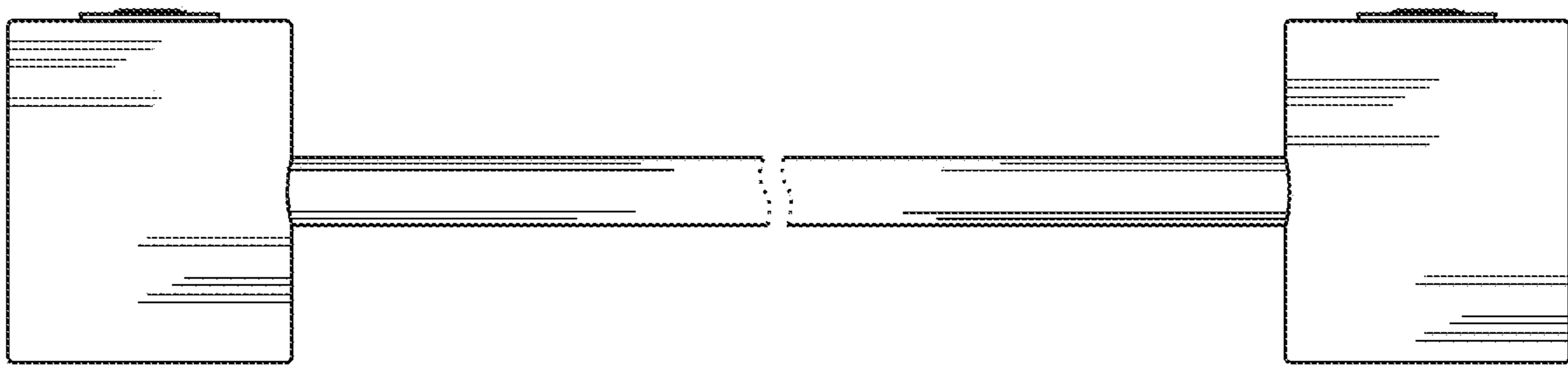


Fig.7

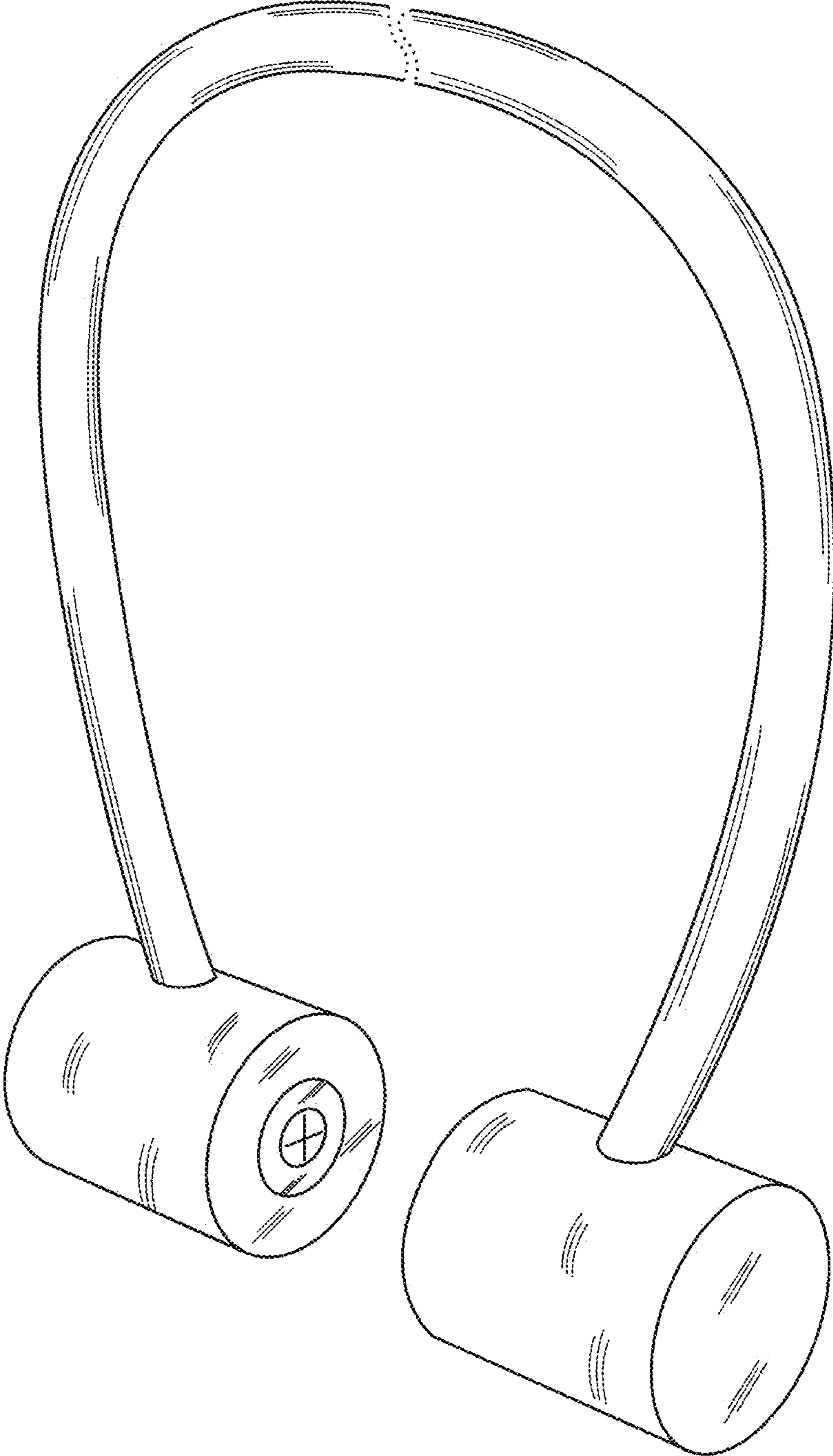


Fig.8

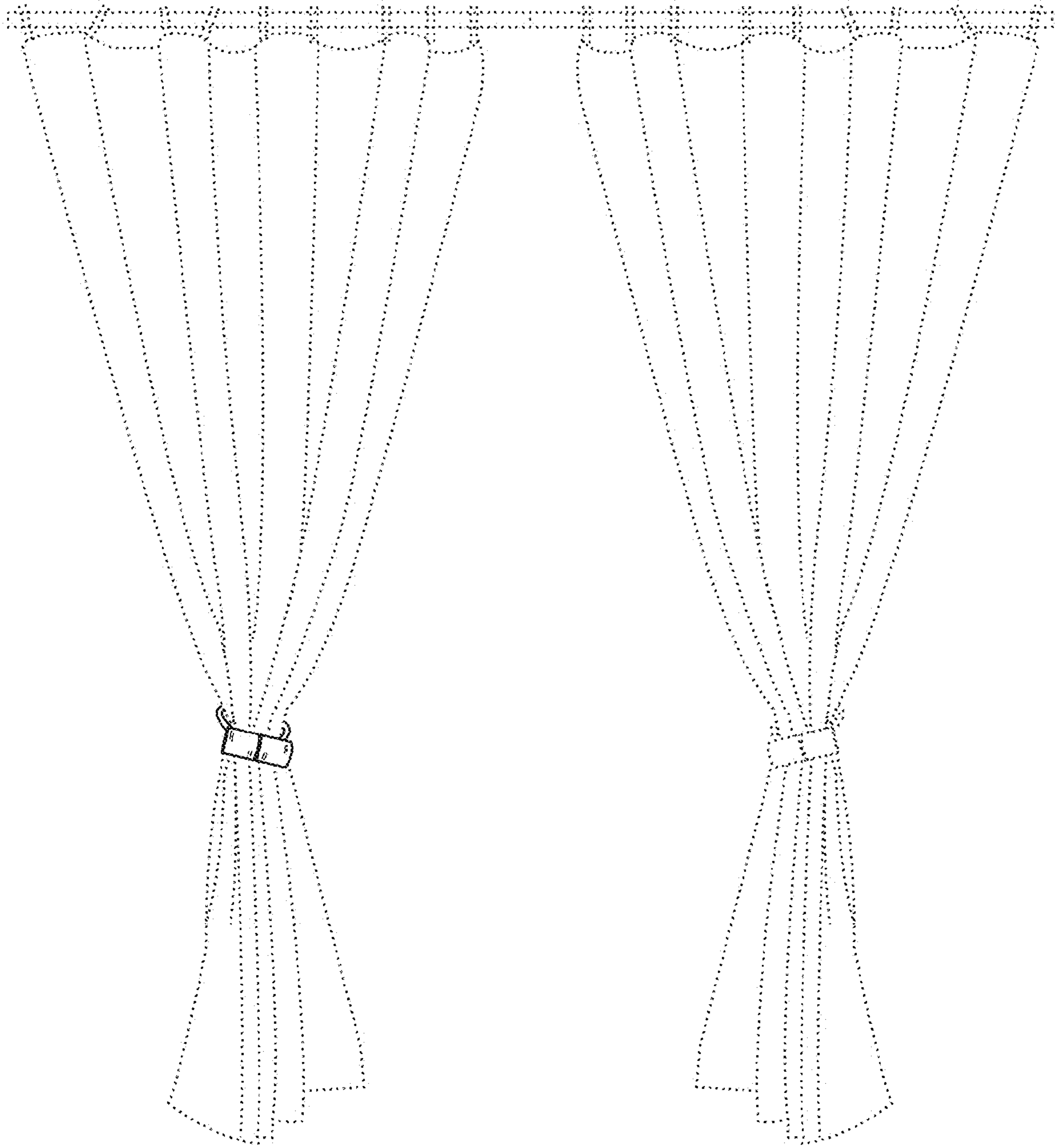


Fig. 9