



US00D918021S

(12) **United States Design Patent**  
**Goodman et al.**

(10) **Patent No.:** **US D918,021 S**  
(45) **Date of Patent:** **\*\* May 4, 2021**

- (54) **HOOK FOR SURFACE AND OVER-THE-DOOR MOUNTING**
- (71) Applicant: **Spectrum Diversified Designs, LLC**, Streetsboro, OH (US)
- (72) Inventors: **Aaron Goodman**, Beachwood, OH (US); **Courtney Wilson**, Chardon, OH (US)
- (73) Assignee: **SPECTRUM DIVERSIFIED DESIGNS, LLC**, Streetsboro, OH (US)
- (\*\*) Term: **15 Years**
- (21) Appl. No.: **29/589,908**
- (22) Filed: **Jan. 5, 2017**
- (51) **LOC (13) Cl.** ..... **08-05**
- (52) **U.S. Cl.**  
USPC ..... **D8/367**
- (58) **Field of Classification Search**  
USPC ..... D8/367-372; D6/323  
CPC .... B60R 7/00; B60R 7/10; B60R 7/04; A47G 25/32; A47G 25/28; A47G 25/10; A47G 25/743; A47G 25/746; A47G 25/36; A47G 25/0664; A47G 29/08; A47G 29/00; A47G 33/1246; A47F 5/0006; A47F 5/0018; A47F 5/08; A47F 5/0823; A47F 5/0815; A47F 5/0876; A47F 7/06; A47F 7/19; A47F 7/0028  
See application file for complete search history.

(56) **References Cited**

**U.S. PATENT DOCUMENTS**

- D247,146 S \* 2/1978 Watt, Jr. .... D6/323
- D317,177 S \* 5/1991 Wandemberg-Boschetti ..... 402/80 R
- D322,361 S \* 12/1991 Goodman ..... D6/323
- D465,998 S \* 11/2002 Goodman ..... D6/566
- D472,059 S \* 3/2003 Hoernig ..... D6/323

- D491,791 S \* 6/2004 Snell ..... D8/367
- D493,093 S \* 7/2004 Goodman ..... D8/367
- D496,258 S \* 9/2004 Fields ..... D8/367
- D526,494 S \* 8/2006 Fields ..... D6/323
- D543,708 S \* 6/2007 McConnell ..... D6/323
- D544,220 S \* 6/2007 McConnell ..... D6/323
- D544,221 S \* 6/2007 Krumpe ..... D6/323
- D568,621 S \* 5/2008 Krumpe ..... D6/323
- D580,185 S \* 11/2008 Lee ..... D6/323

(Continued)

*Primary Examiner* — Christy Nemeth

(74) *Attorney, Agent, or Firm* — Tucker Ellis LLP

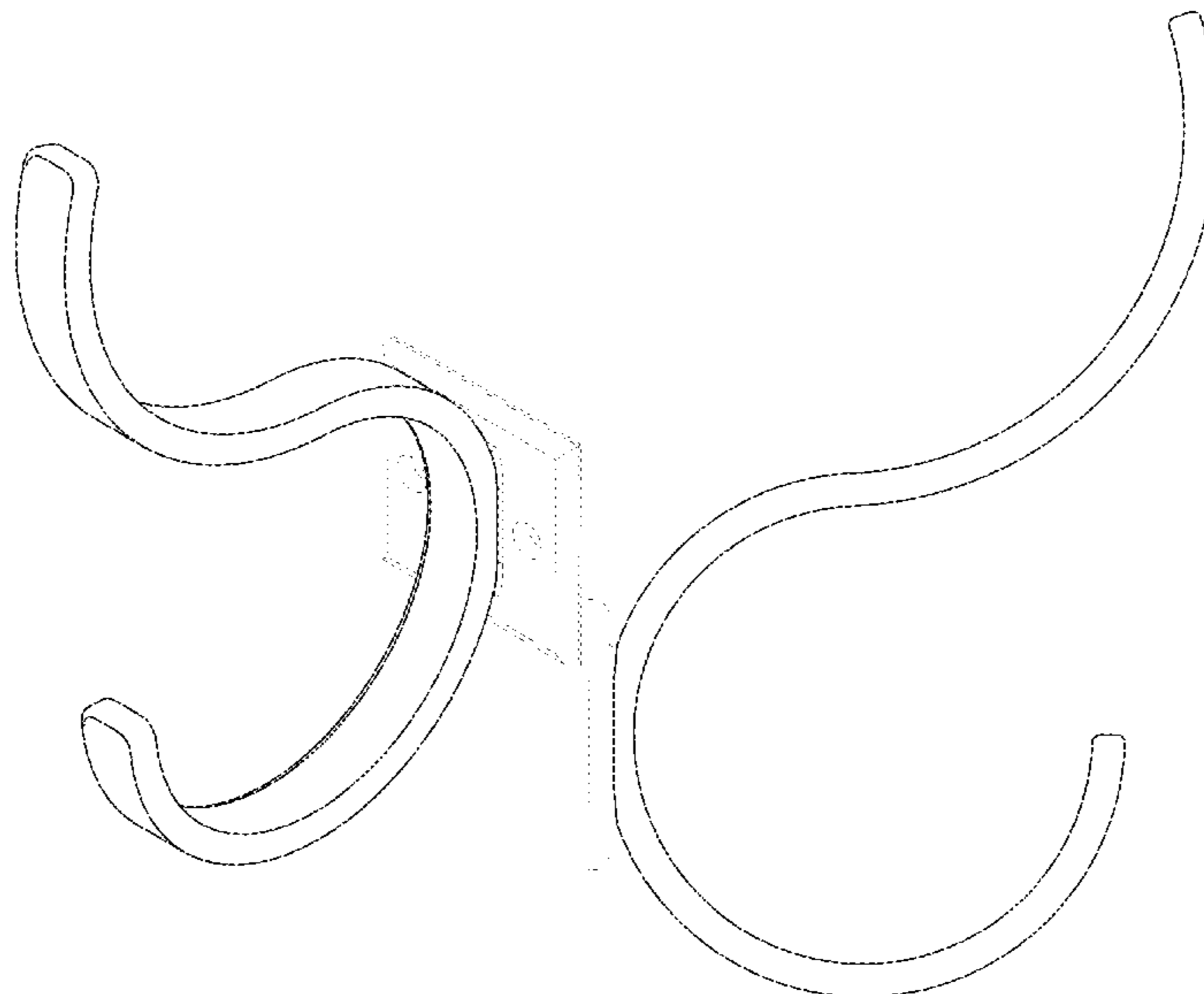
(57) **CLAIM**

The ornamental design for a hook for surface and over-the-door mounting, as shown and described.

**DESCRIPTION**

FIG. 1 is a perspective view of a hook for surface and over-the-door mounting according to a first embodiment of our new design;  
 FIG. 2 is a front elevation view thereof;  
 FIG. 3 is a rear elevation view thereof;  
 FIG. 4 is a left side elevation view thereof;  
 FIG. 5 is a right side elevation view thereof;  
 FIG. 6 is a top view thereof;  
 FIG. 7 is a bottom view thereof;  
 FIG. 8 is a perspective view of the hook of FIG. 1 shown in an environment of use;  
 FIG. 9 is a perspective view of a hook for surface and over-the-door mounting according to a second embodiment;  
 FIG. 10 is a perspective view of a hook for surface and over-the-door mounting according to a third embodiment;  
 and,  
 FIG. 11 is a perspective view of a hook for surface and over-the-door mounting according to a fourth embodiment.  
 The broken lines in the drawings are for the purpose of illustrating environmental subject matter that forms no part of the claimed design.

**1 Claim, 9 Drawing Sheets**



(56)

**References Cited**

U.S. PATENT DOCUMENTS

D630,027	S	*	1/2011	Romero	.....	D6/323
D631,333	S	*	1/2011	Bauer	.....	D8/367
D671,819	S	*	12/2012	Kwok	.....	D6/323
D672,565	S	*	12/2012	Nazario	.....	D6/323
D692,244	S	*	10/2013	Romero	.....	D6/323
D707,111	S	*	6/2014	Callif	.....	D8/367
D708,446	S	*	7/2014	Goodman	.....	D6/323
D724,851	S	*	3/2015	Klein	.....	D6/323
D770,801	S		11/2016	Goodman		
D785,369	S		5/2017	Goodman		
D808,252	S	*	1/2018	Forrest	.....	D8/367
D817,748	S	*	5/2018	Wang	.....	D8/367
D842,686	S	*	3/2019	Dittrich	.....	D8/372
D863,943	S	*	10/2019	Knight	.....	D8/367
2010/0084530	A1	*	4/2010	Lai	.....	A47B 96/067 248/304

\* cited by examiner

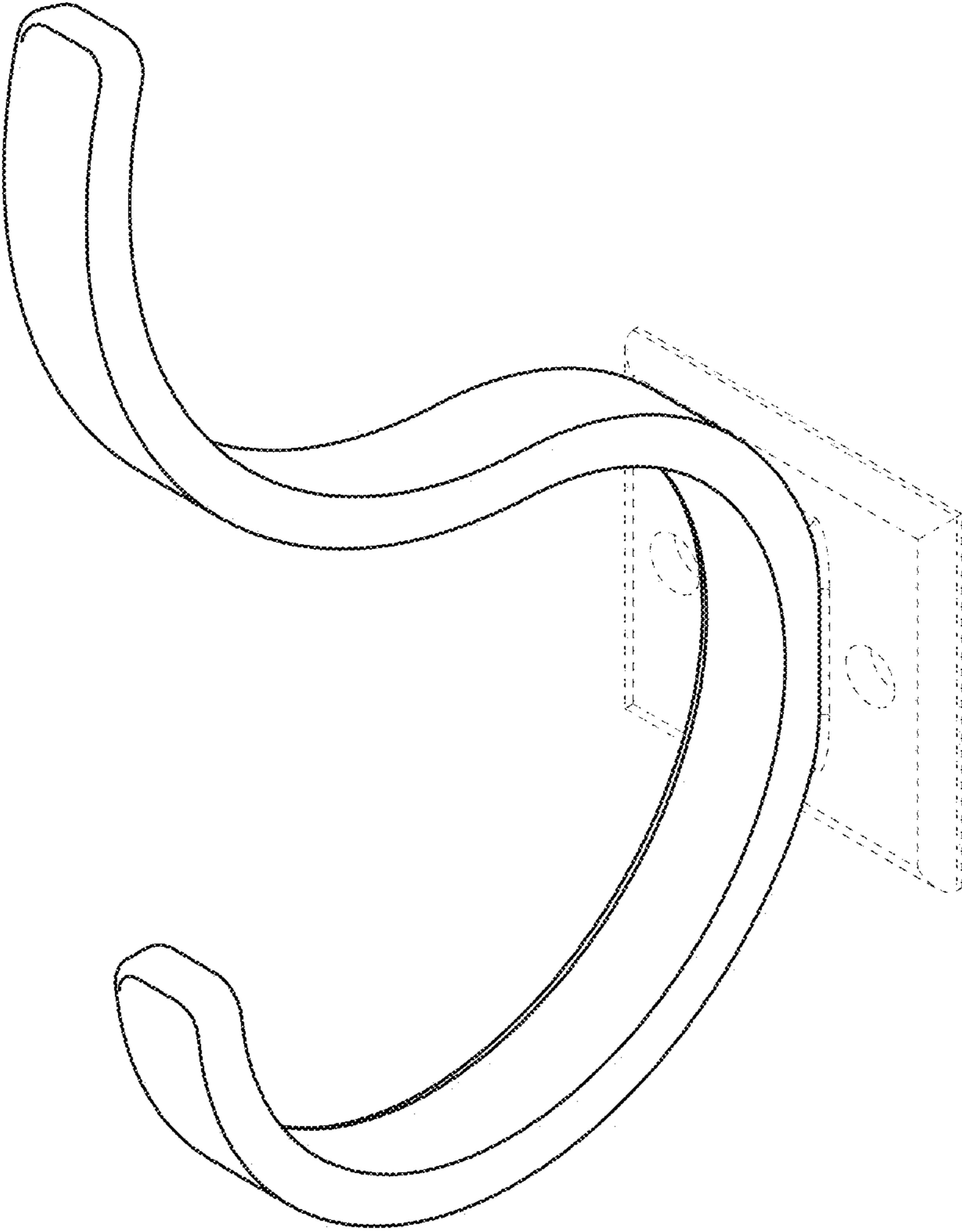


FIG. 1

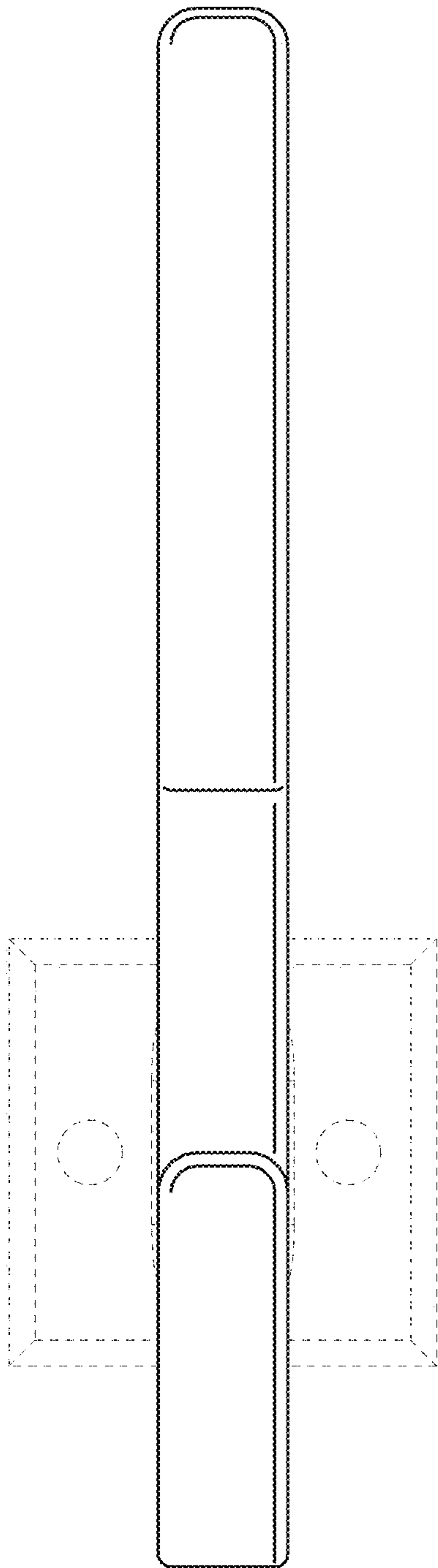


FIG. 2

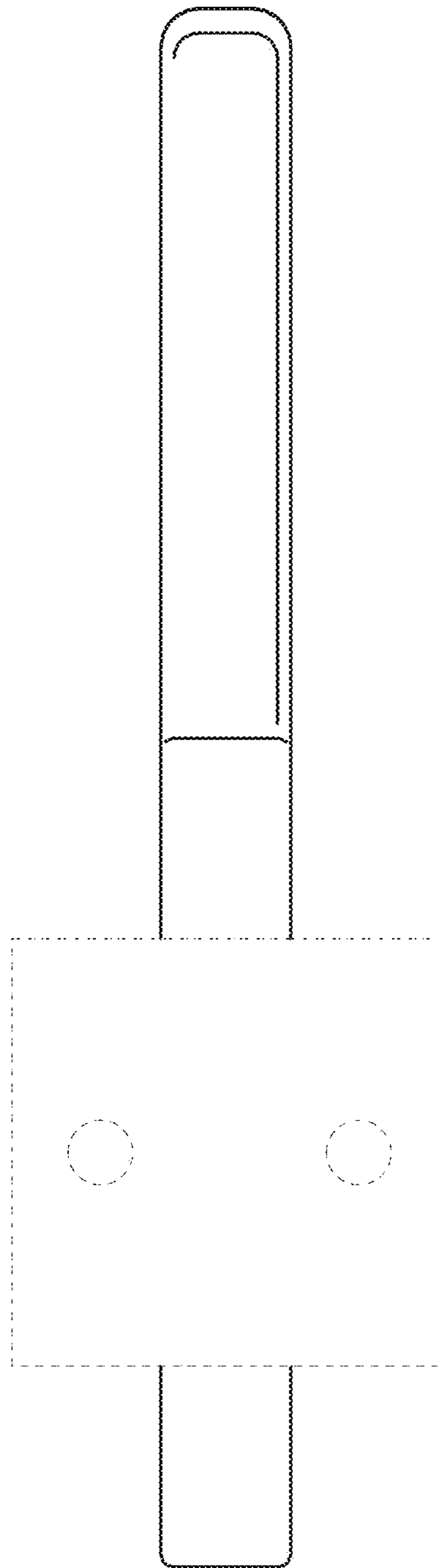


FIG. 3

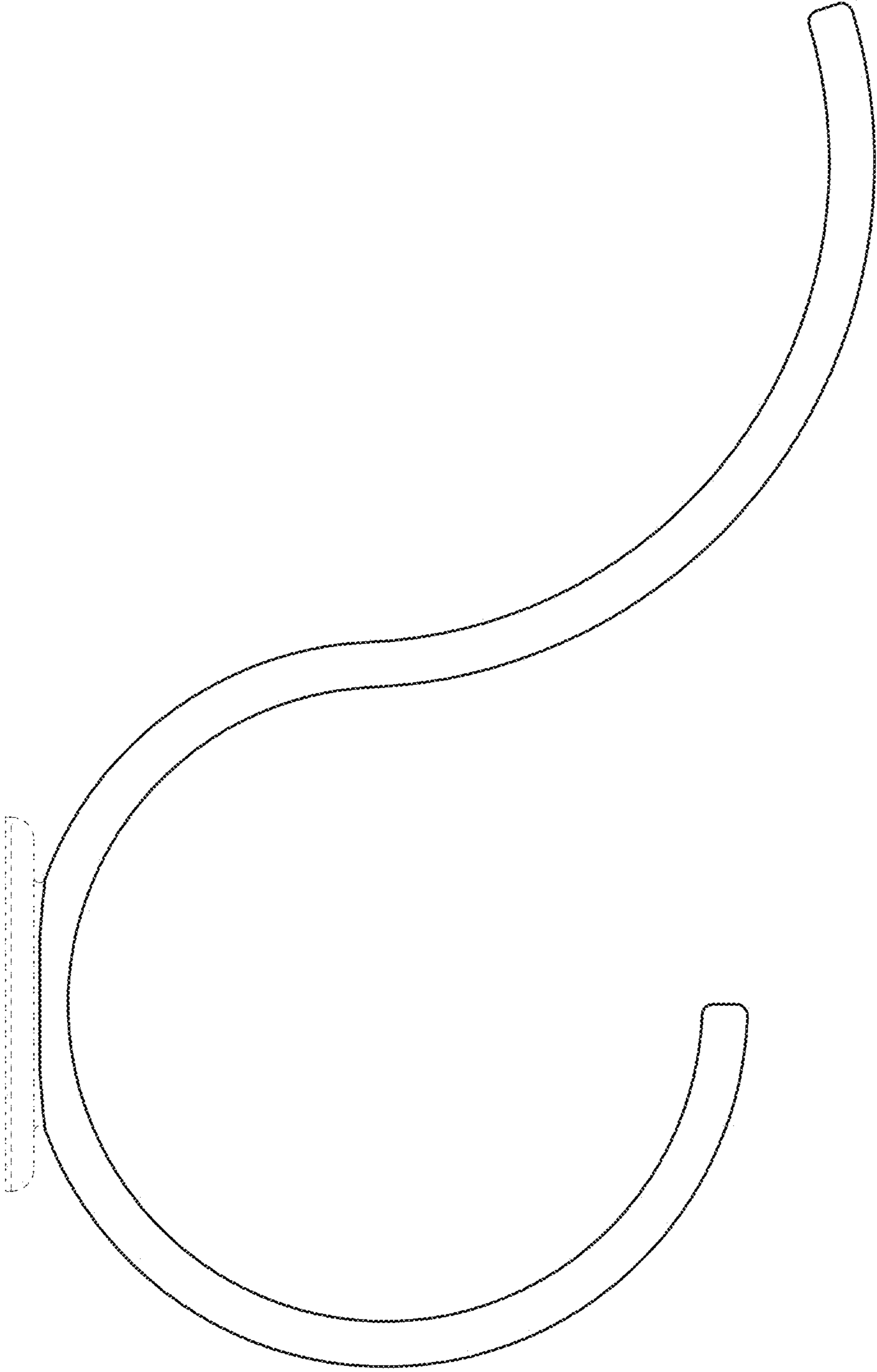


FIG. 4

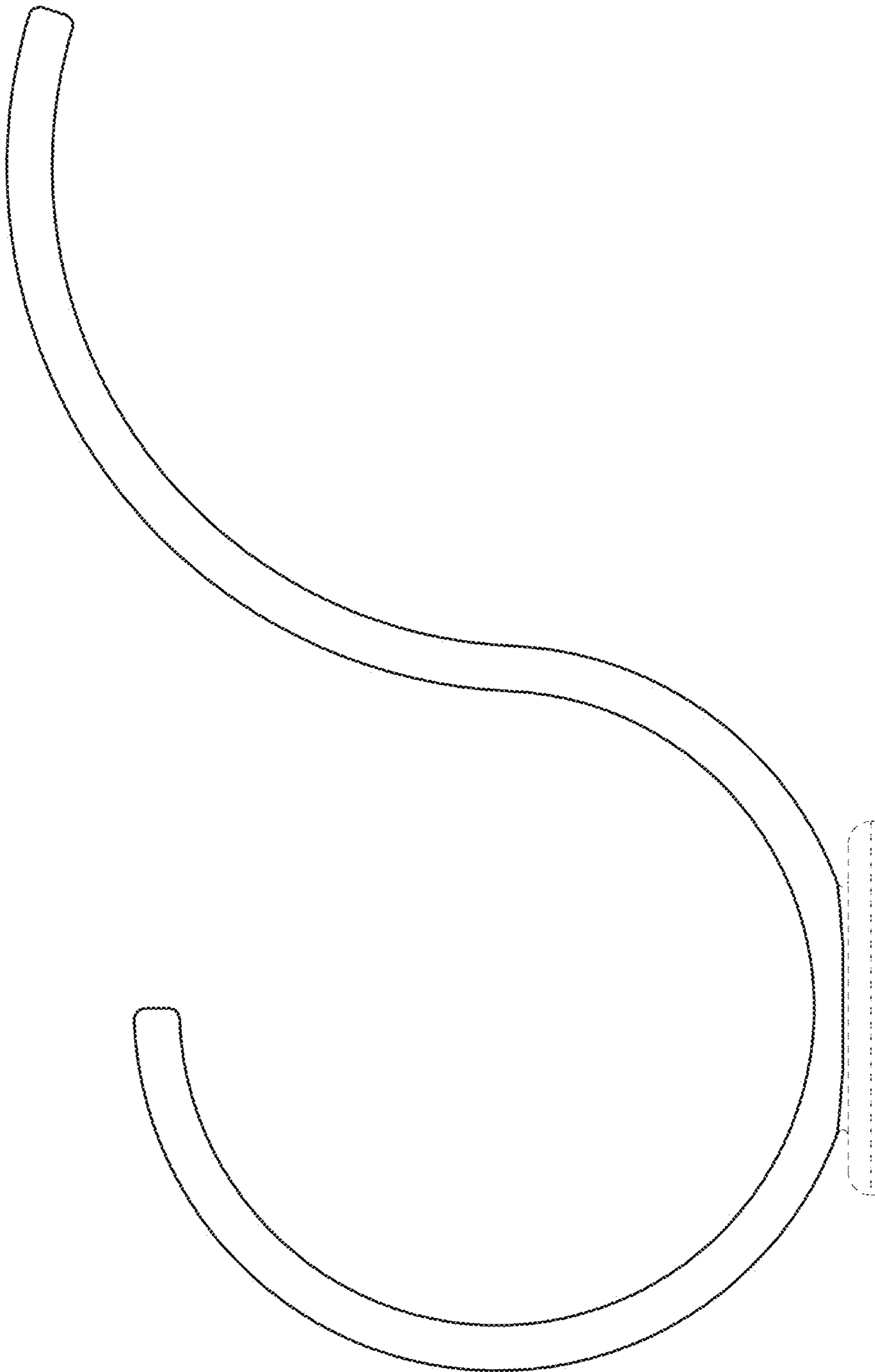


FIG. 5

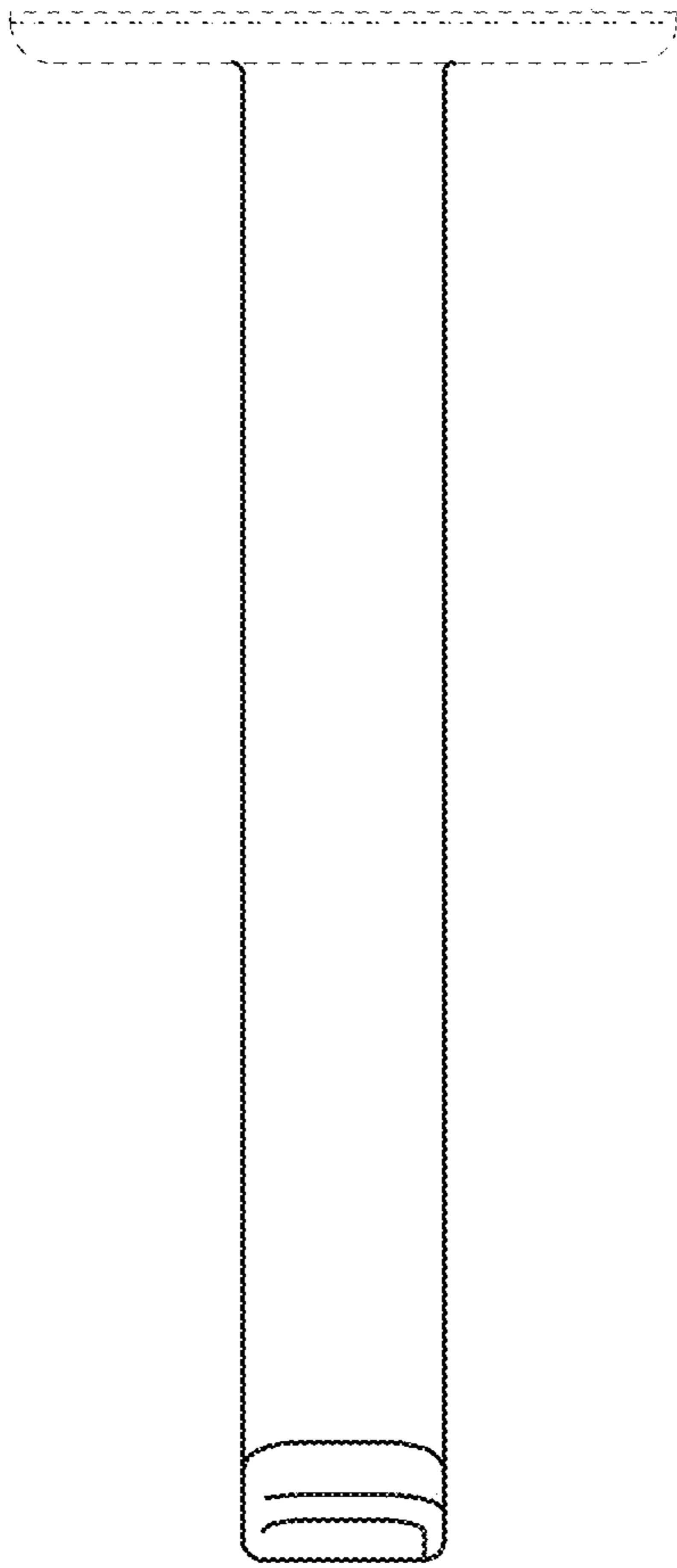


FIG. 6

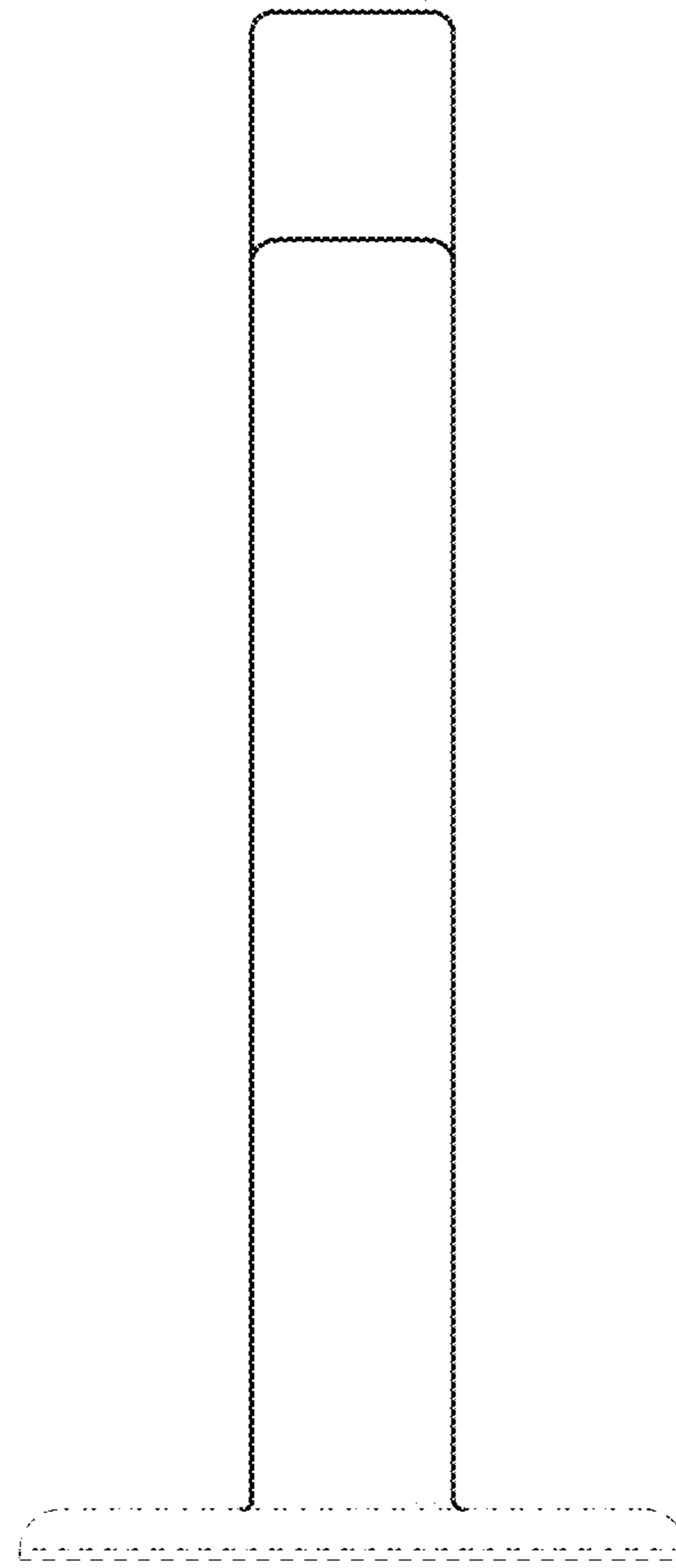


FIG. 7



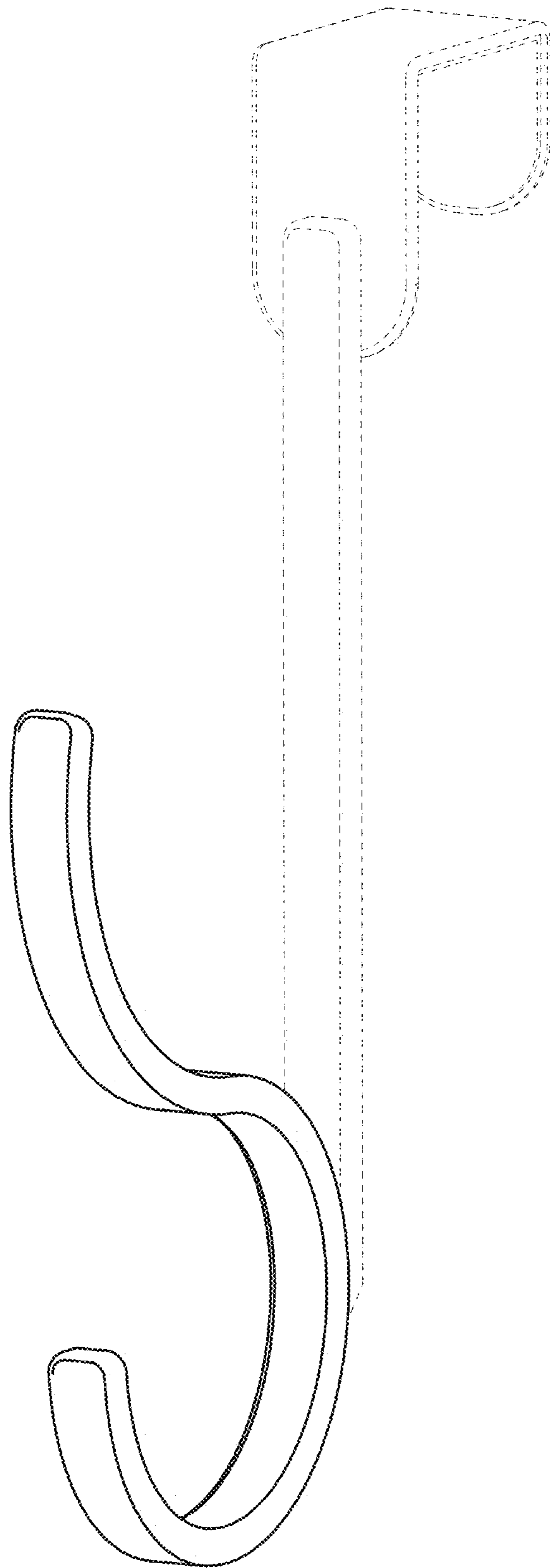


FIG. 8



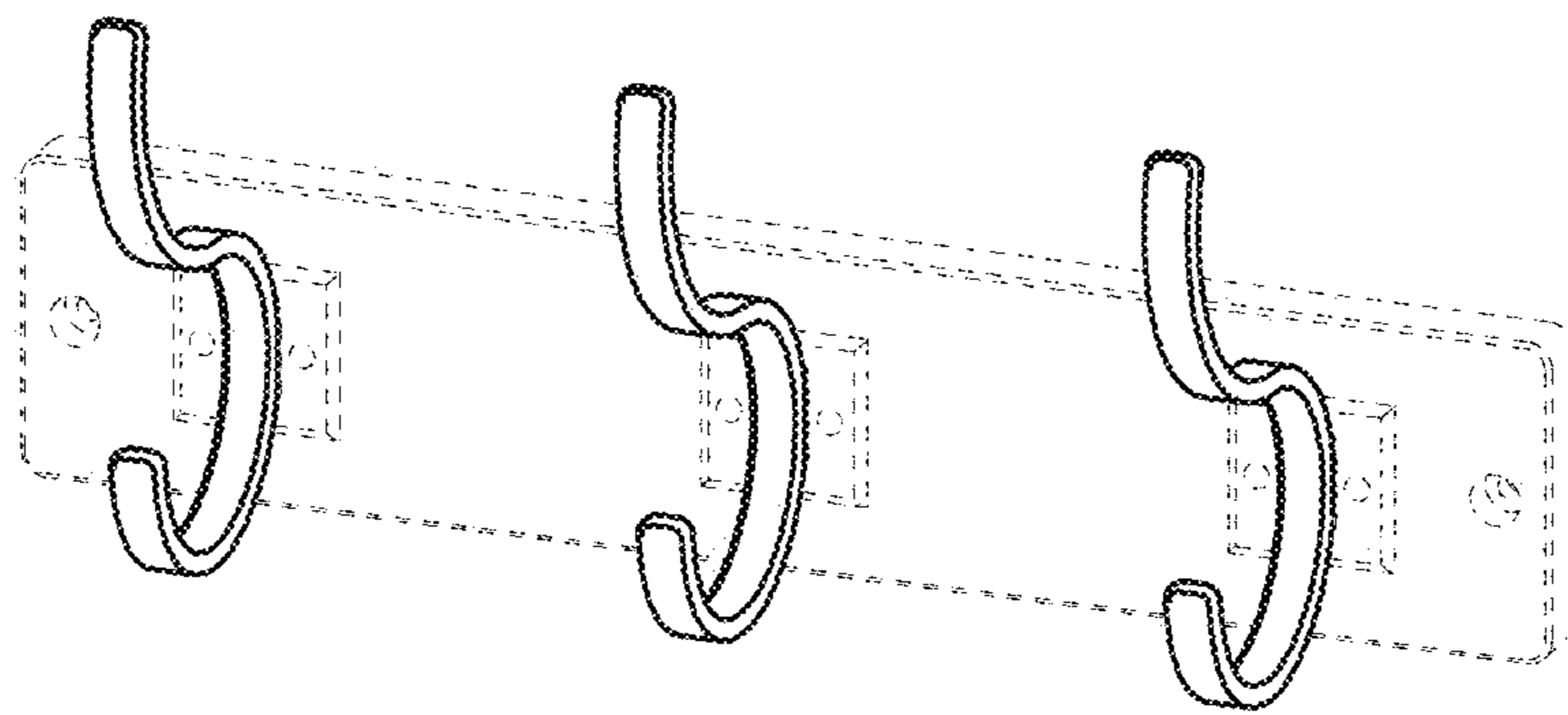


FIG. 9

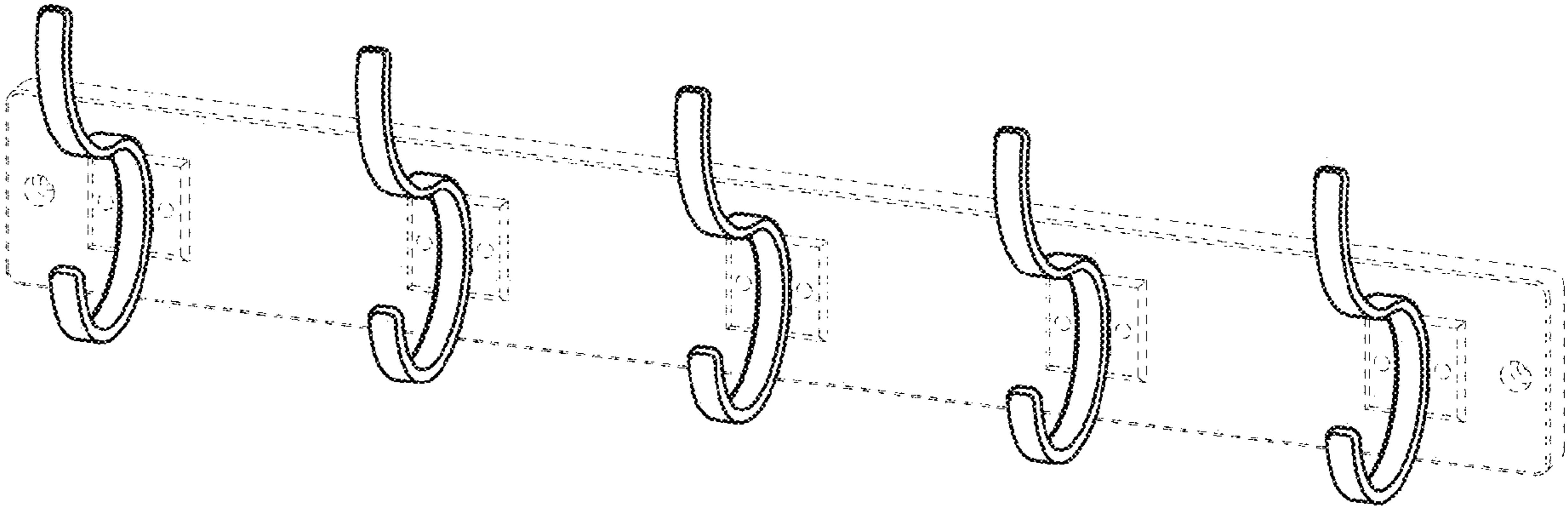


FIG. 10

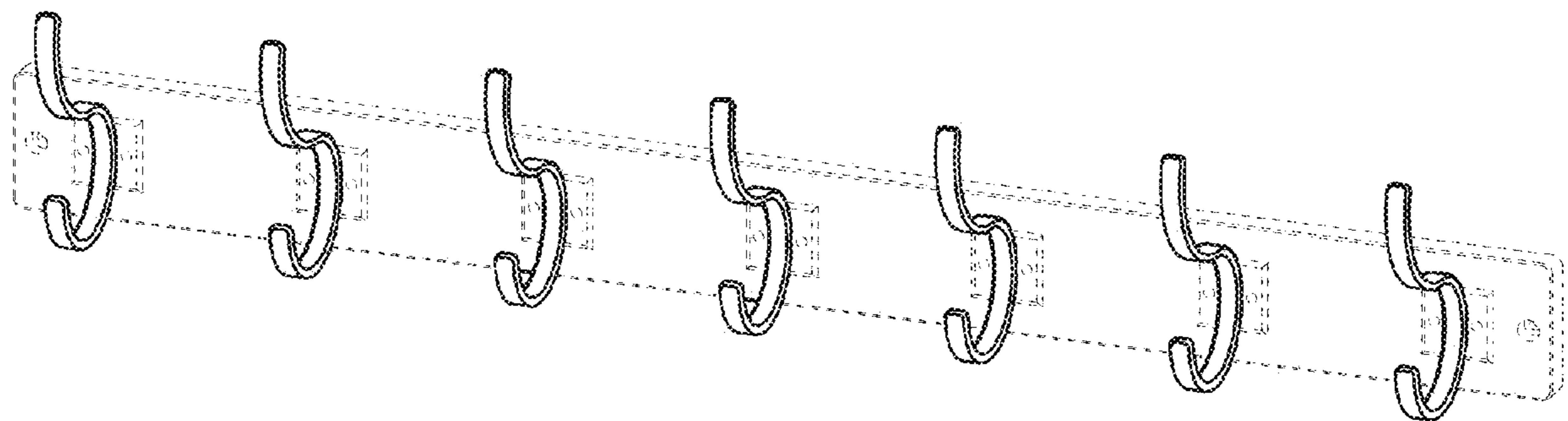


FIG. 11