



US00D918020S

(12) **United States Design Patent**
Kennedy

(10) **Patent No.:** **US D918,020 S**

(45) **Date of Patent:** **** May 4, 2021**

(54) **CONCEALMENT CAP FOR CABLE TENSIONING MECHANISM**

(71) Applicant: **Donald Erik Kennedy**, Tiger, GA (US)

(72) Inventor: **Donald Erik Kennedy**, Tiger, GA (US)

(**) Term: **15 Years**

(21) Appl. No.: **29/650,556**

(22) Filed: **Jun. 7, 2018**

(51) **LOC (13) Cl.** **09-06**

(52) **U.S. Cl.**
USPC **D8/356**

(58) **Field of Classification Search**
USPC D8/356, 354, 349, 360, 367, 399;
381/384; 52/655.1
CPC E02D 5/803; B63B 21/045; B63B 59/02;
B60D 1/18; B60P 7/0823; A44B 13/0029;
B65H 75/362; B66D 3/046; A45F 5/021;
E04H 17/266

See application file for complete search history.

(56) **References Cited**

U.S. PATENT DOCUMENTS

- 3,622,427 A * 11/1971 Kelly G01M 3/3209
277/651
- 3,895,879 A * 7/1975 Burtelson E04G 21/12
403/369
- 4,686,808 A * 8/1987 Triplett E04D 5/145
411/369
- D338,040 S * 8/1993 Hutchinson D19/65
- D376,753 S * 12/1996 Nakamura D8/374
- D427,034 S * 6/2000 Cyrell D8/356
- D437,543 S * 2/2001 Mudryk D8/354
- D442,654 S * 5/2001 Buchanan D21/680
- 6,231,063 B1 * 5/2001 Chi B62K 21/06
280/276
- D472,133 S * 3/2003 Ball D8/356
- D483,660 S * 12/2003 Cheng D8/399
- D485,743 S * 1/2004 Wilson, Sr. D8/354

- 7,043,801 B2 * 5/2006 Toimil F16G 11/106
24/136 R
- 7,198,253 B2 * 4/2007 Striebel E04F 11/1834
254/231
- D542,123 S * 5/2007 Symons D8/356
- D566,603 S * 4/2008 Bulgari D11/7
- 7,374,405 B2 * 5/2008 Wobben B65D 85/68
416/244 R
- 7,399,199 B2 * 7/2008 Symons H01R 13/72
439/242
- D575,659 S * 8/2008 Cunningham D11/7
- D591,678 S * 5/2009 Whitley D13/133

(Continued)

OTHER PUBLICATIONS

“Cable Bullet Cable Rail System”, <https://www.cablebullet.com/>, reviewed Jan. 7, 2019.

Primary Examiner — Cynthia R Underwood

(74) *Attorney, Agent, or Firm* — Thomas | Horstemeyer, LLP

(57) **CLAIM**

The ornamental design for a concealment cap for cable tensioning mechanism, as shown and described.

DESCRIPTION

FIG. 1 is a perspective view of my design used with a horizontal support member;
 FIG. 2 is a second perspective view thereof, in an alternate condition of use;
 FIG. 3 is a third perspective view thereof used with a vertical support member; and,
 FIG. 4 is an enlarged perspective view thereof showing the concealment cap removed from the cable tensioning mechanism used with a horizontal support member.
 The broken lines in the drawings are for the purpose of illustrating the environment and form no part of the claimed design.

1 Claim, 3 Drawing Sheets

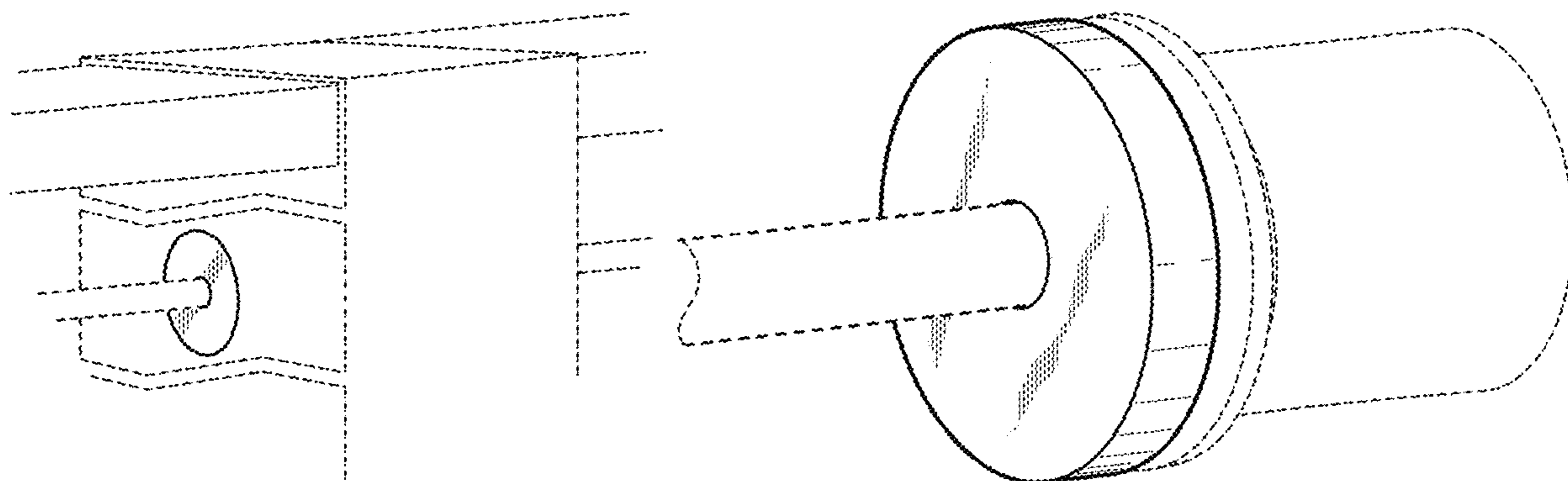


FIG. 1

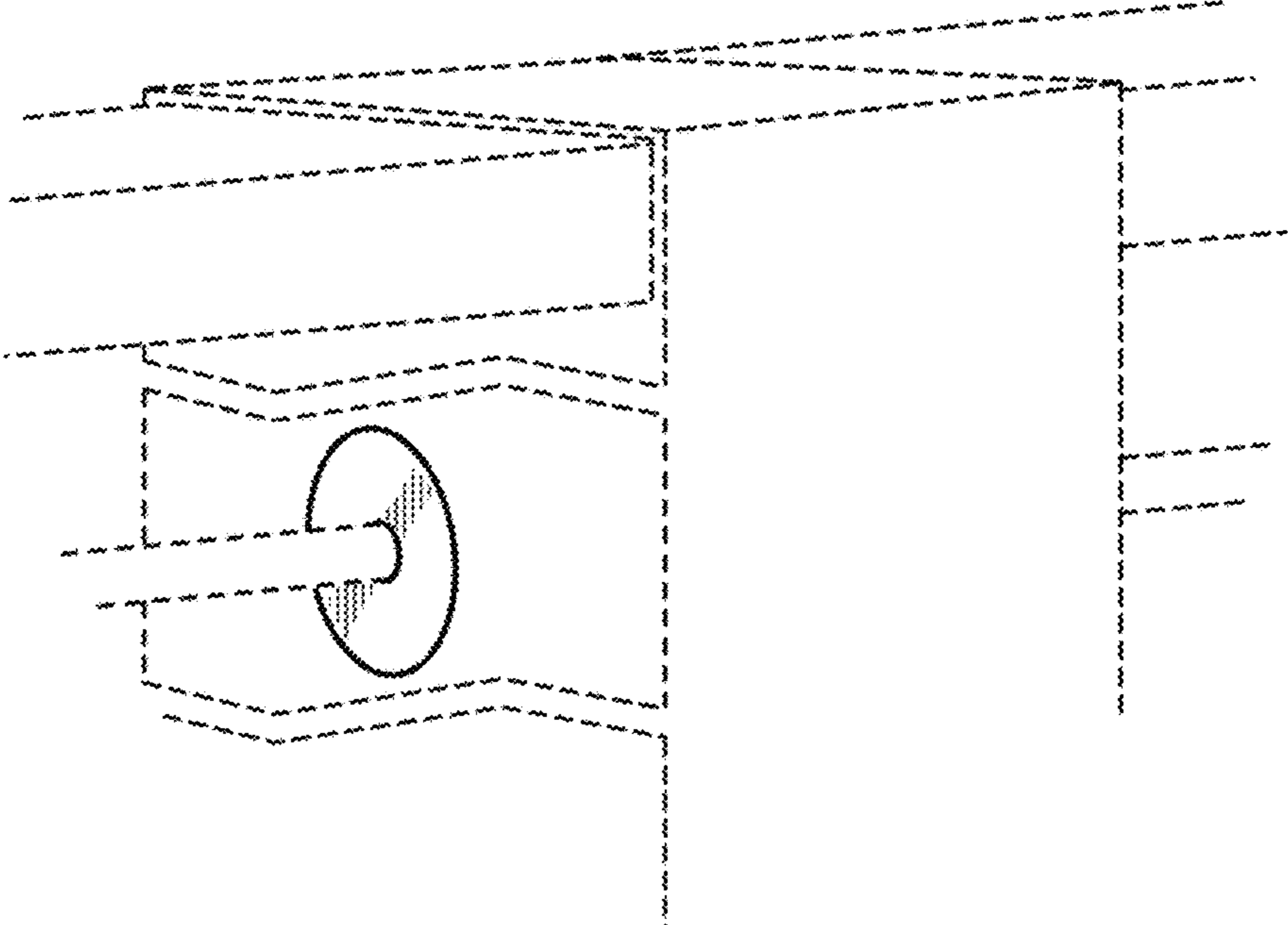
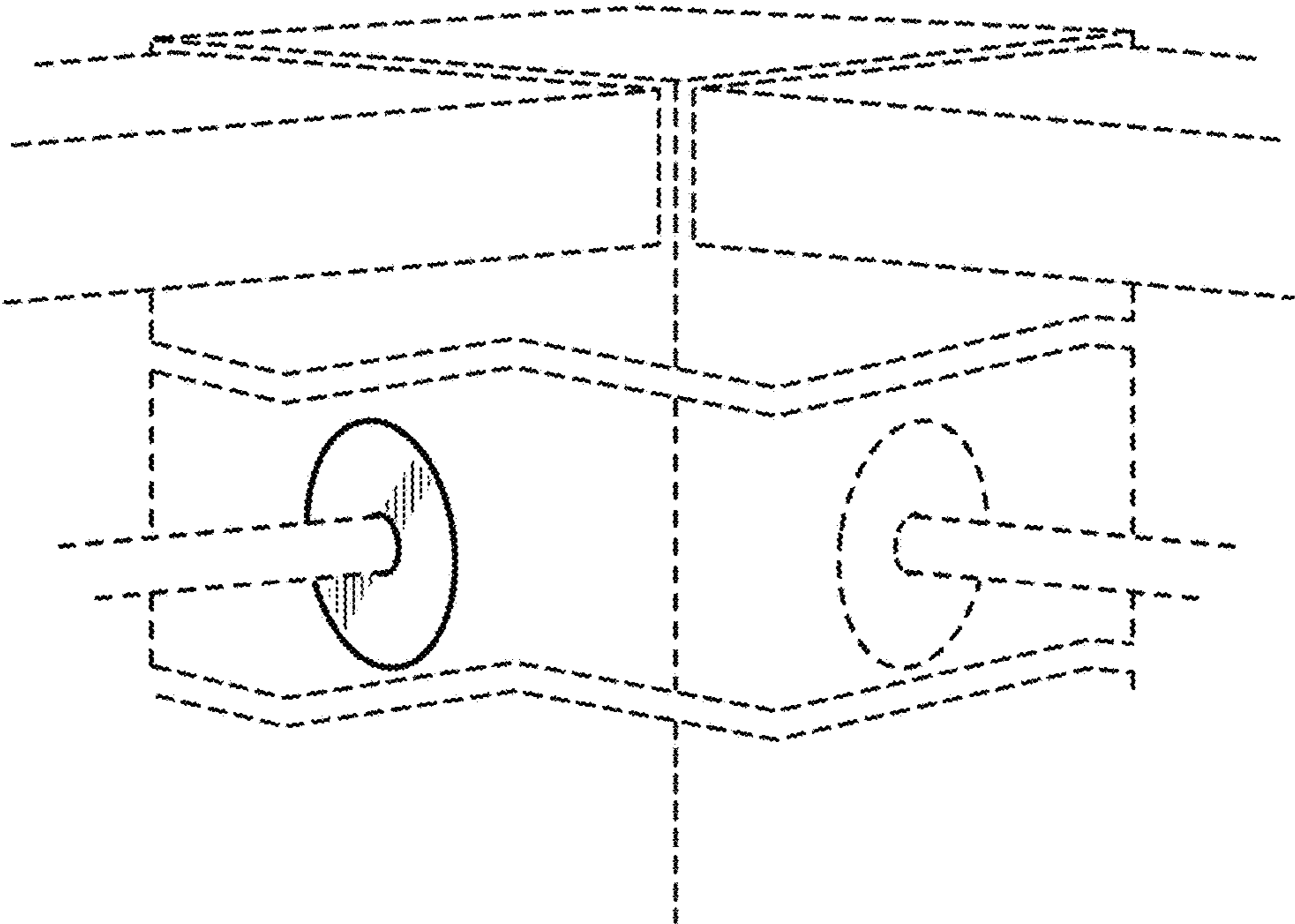


FIG. 2



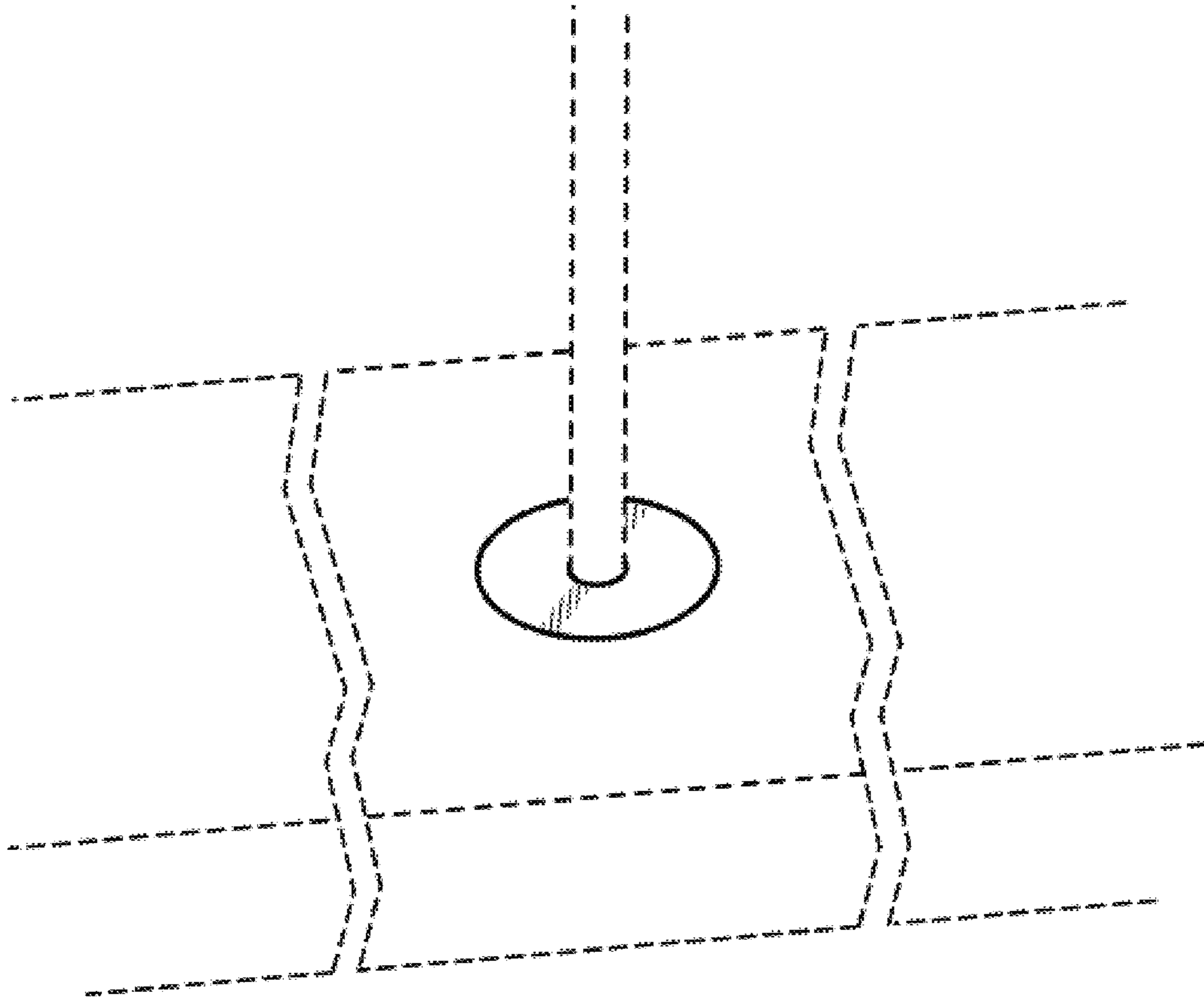


FIG. 3

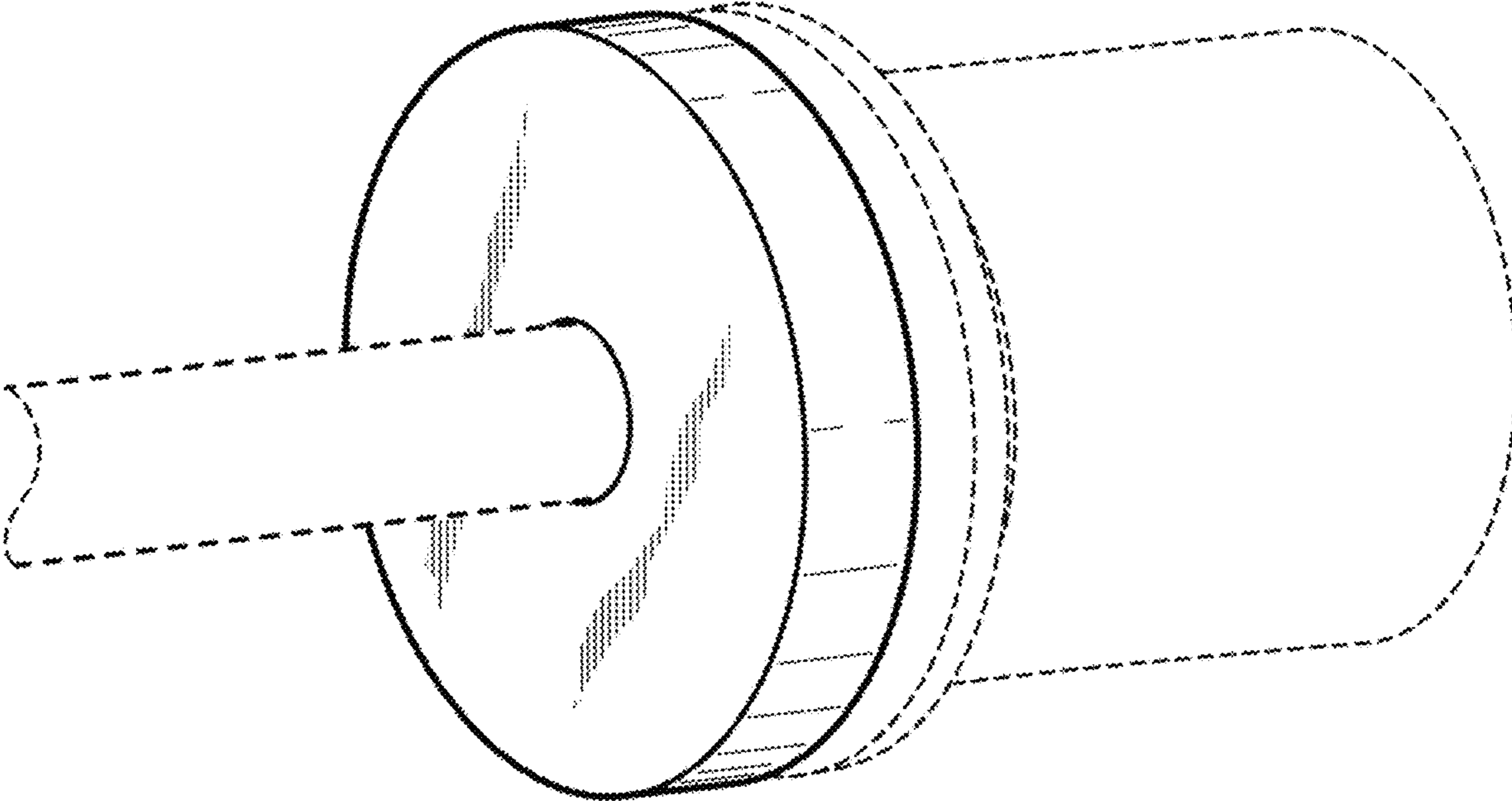


FIG. 4