



US00D918019S

(12) **United States Design Patent**
Foley et al.

(10) **Patent No.:** **US D918,019 S**

(45) **Date of Patent:** **** May 4, 2021**

(54) **METAL SHEAR CONNECTOR STRUCTURE FOR ADJACENT CONCRETE PANELS**

(71) Applicant: **CONNECT-EZ, LLC**, Harveysburg, OH (US)

(72) Inventors: **Robert P. Foley**, New Albany, OH (US); **Terry J. Tincher**, Oregonia, OH (US)

(73) Assignee: **Connect-EZ, LLC**, Harveysburg, OH (US)

(**) Term: **15 Years**

(21) Appl. No.: **29/706,493**

(22) Filed: **Sep. 20, 2019**

(51) **LOC (13) Cl.** **08-05**

(52) **U.S. Cl.**
USPC **D8/354**

(58) **Field of Classification Search**
USPC D8/349, 382, 384, 385, 354; D25/138, D25/199
CPC E04B 1/41; E04B 2/00; E02D 27/32
See application file for complete search history.

(56) **References Cited**

U.S. PATENT DOCUMENTS

4,545,703	A *	10/1985	Boynton	E02D 29/0216 405/273
D666,078	S *	8/2012	Foley	D8/354
8,448,397	B2 *	5/2013	Tincher	E04B 1/043 52/293.3
D780,557	S *	3/2017	Foley	D8/354
9,897,123	B2 *	2/2018	Esposito	E01F 9/669
D811,853	S *	3/2018	Foley	D8/354
2011/0107716	A1 *	5/2011	Foley	E04B 1/4114 52/699

2011/0138735	A1 *	6/2011	Foley	E04B 1/4114 52/699
2013/0031857	A1 *	2/2013	Tincher	E04B 1/4114 52/274
2020/0208397	A1 *	7/2020	Watson	E04B 1/40

OTHER PUBLICATIONS

Attached drawing showing two conventional welded plate connections of adjacent concrete panels each having a right angle embedded corner strip with an overlying connection plate welded to the strips after panels are positioned.

* cited by examiner

Primary Examiner — Keli L Hill

Assistant Examiner — Harold E Blackwell, II

(74) *Attorney, Agent, or Firm* — Jacox, Meckstroth & Jenkins

(57) **CLAIM**

The ornamental design for metal shear connector structure for adjacent concrete panels, as shown and described.

DESCRIPTION

FIG. 1 is a top view of installed metal shear connector structure for adjacent concrete panels showing our new design;

FIG. 2 is a side view of the concrete embedded structure shown in FIG. 1;

FIG. 3 is a side view of the flat connector plate shown in FIG. 1; and,

FIG. 4 is a perspective view of installed metal shear connector structure shown in FIG. 1.

The adjacent concrete panels depicted by broken lines in FIGS. 1 and 4 are shown for the purpose of illustrating environment and form no part of the claimed design.

1 Claim, 2 Drawing Sheets

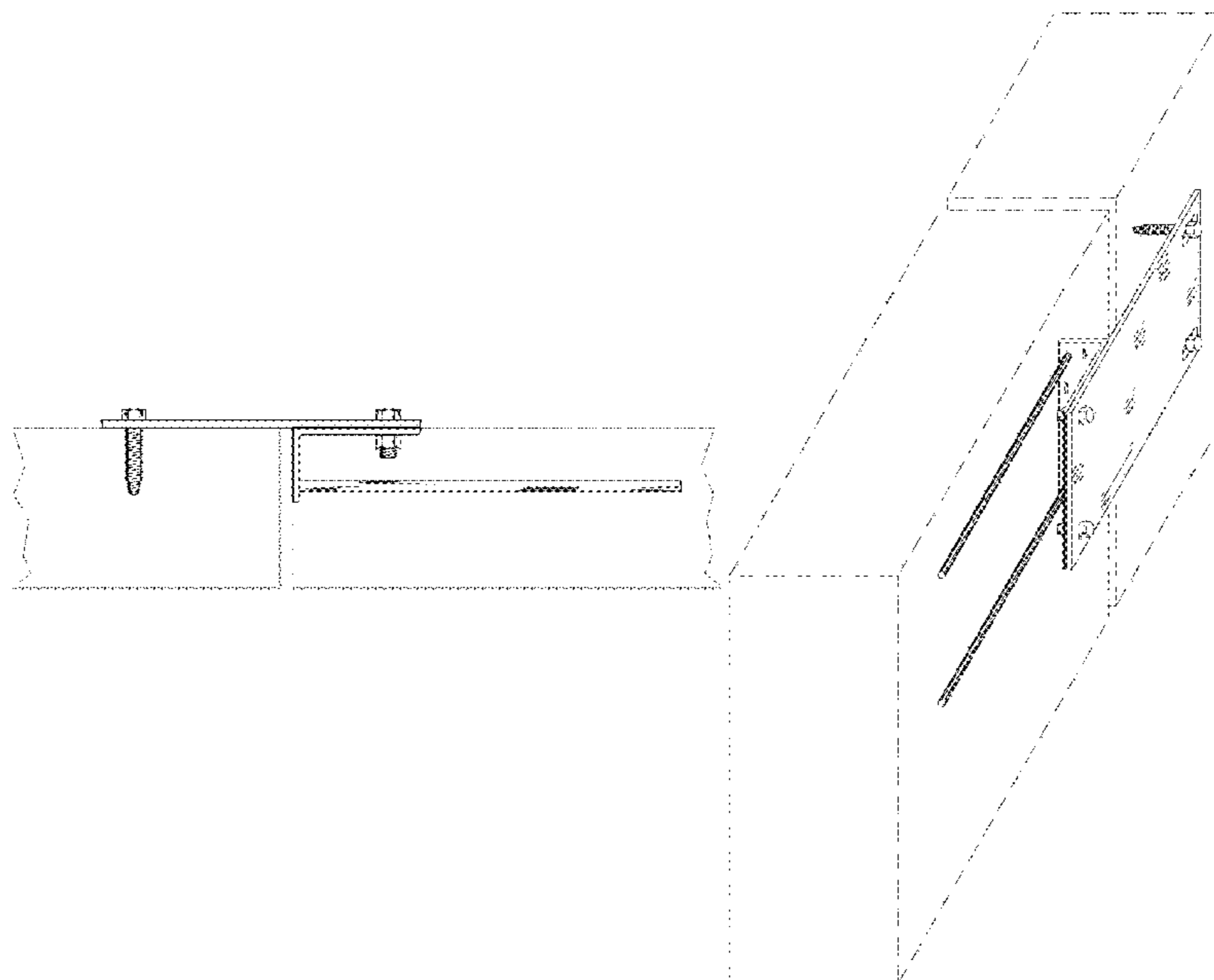


FIG. 1

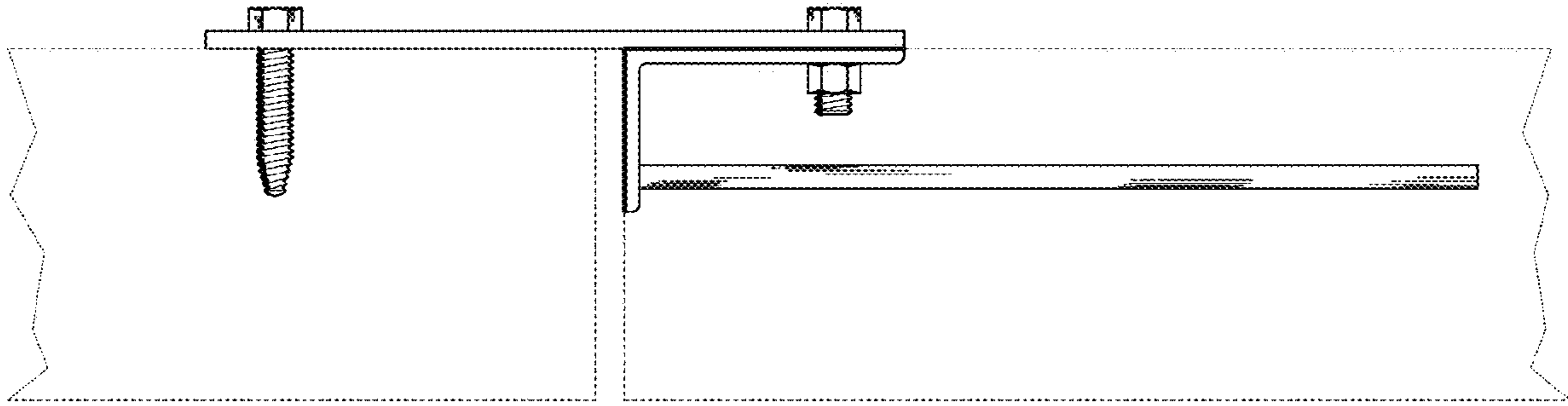


FIG. 2

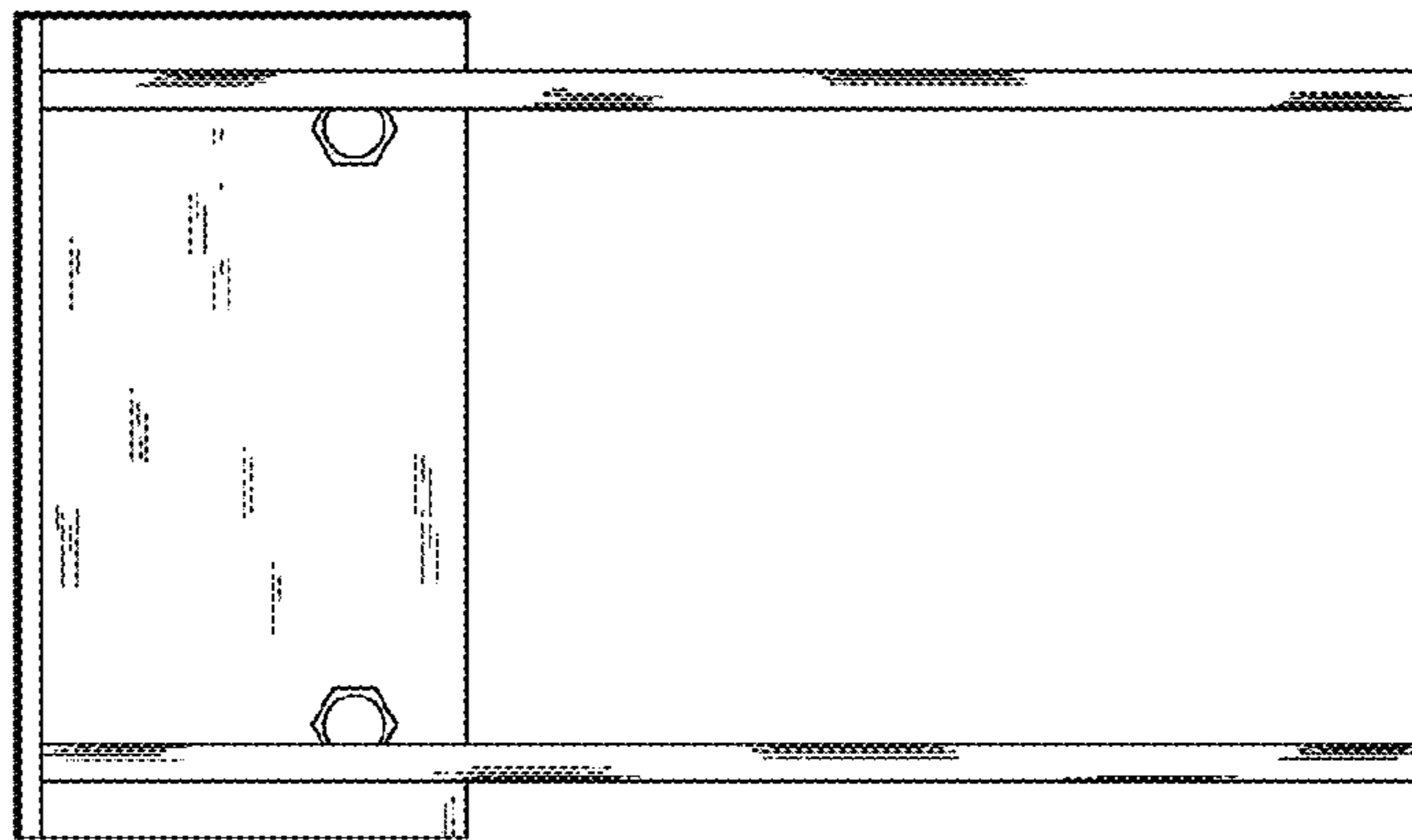


FIG. 3

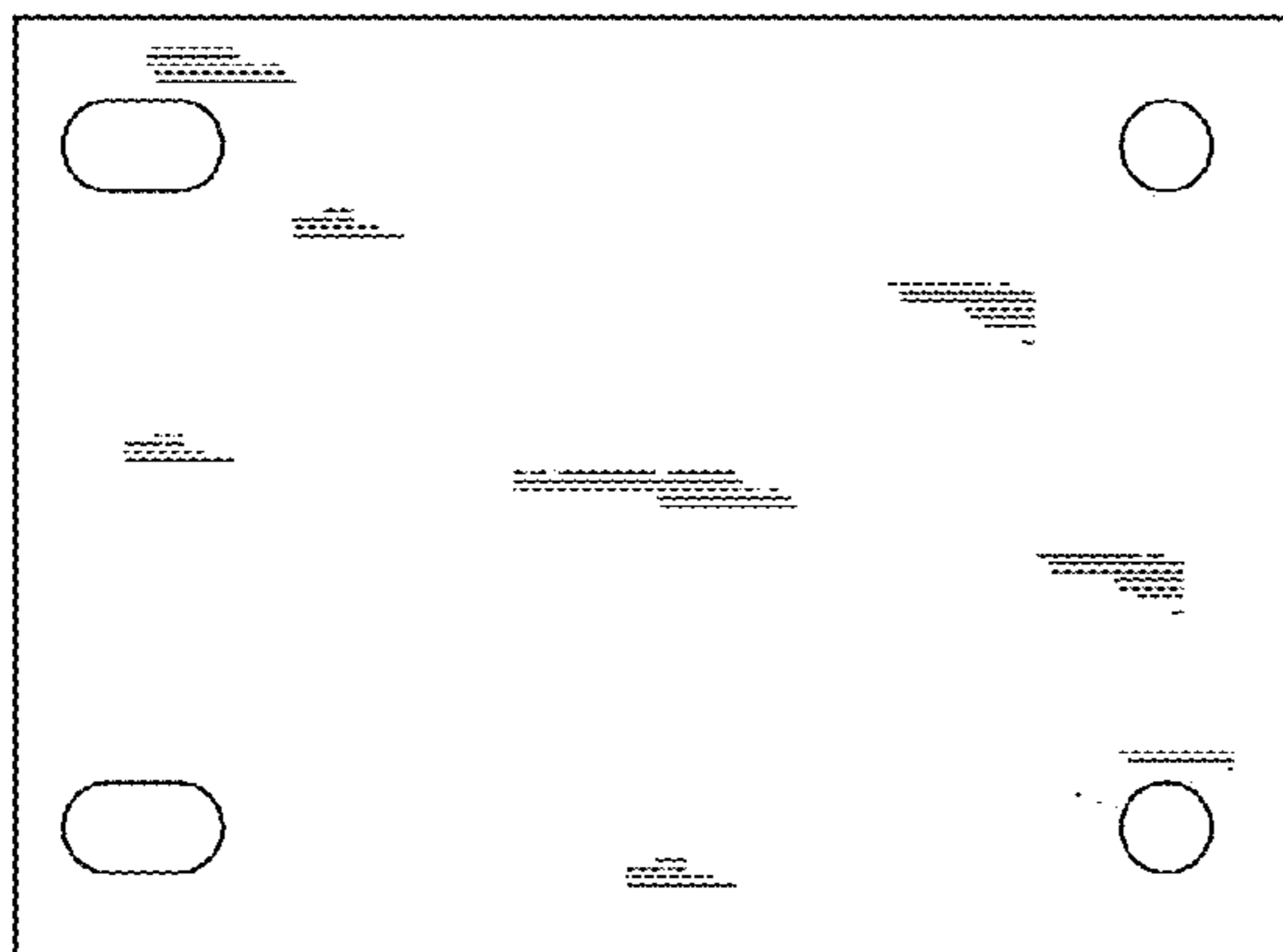


FIG. 4

