



US00D918018S

(12) **United States Design Patent** (10) **Patent No.:** **US D918,018 S**  
**Laaksonen** (45) **Date of Patent:** **\*\* May 4, 2021**

(54) **BRACKET**

(71) Applicant: **Kevin Laaksonen**, Kalamazoo, MI (US)

(72) Inventor: **Kevin Laaksonen**, Kalamazoo, MI (US)

(\*\*) Term: **15 Years**

(21) Appl. No.: **29/732,186**

(22) Filed: **Apr. 22, 2020**

(51) **LOC (13) Cl.** ..... **08-08**

(52) **U.S. Cl.**  
USPC ..... **D8/349**

(58) **Field of Classification Search**  
USPC ..... D8/349, 354, 366, 380, 382, 394;  
D23/259, 262, 267  
CPC . E04D 1/34; E04D 2001/3452; E04D 13/064;  
E04D 13/068; E04D 5/145  
See application file for complete search history.

(56) **References Cited**

**U.S. PATENT DOCUMENTS**

2,904,360	A *	9/1959	Gamlen	.....	F16B 12/50
					403/22
4,631,875	A *	12/1986	Olson	.....	E04D 13/064
					248/48.2
D301,953	S *	7/1989	Evenson	.....	D8/349
D418,047	S *	12/1999	Hirano	.....	D8/382
D688,115	S *	8/2013	Wiegmann	.....	D8/349
D821,850	S *	7/2018	Tyrer	.....	D8/354

D830,818	S *	10/2018	Hynek	.....	D8/382
D856,781	S *	8/2019	Hendry	.....	D8/354
D858,256	S *	9/2019	Smith	.....	D8/354
D880,982	S *	4/2020	Morehead	.....	D8/349
D881,792	S *	4/2020	Tang	.....	D12/412
D883,776	S *	5/2020	Pejic	.....	D8/381
D890,602	S *	7/2020	Gori	.....	D8/394
2002/0104161	A1 *	8/2002	Kuo	.....	A63H 33/006
					5/93.1

\* cited by examiner

*Primary Examiner* — Mark A Goodwin  
*Assistant Examiner* — Benjamin M Weeks  
(74) *Attorney, Agent, or Firm* — Oppenhuizen Law PLC;  
David L. Oppenhuizen

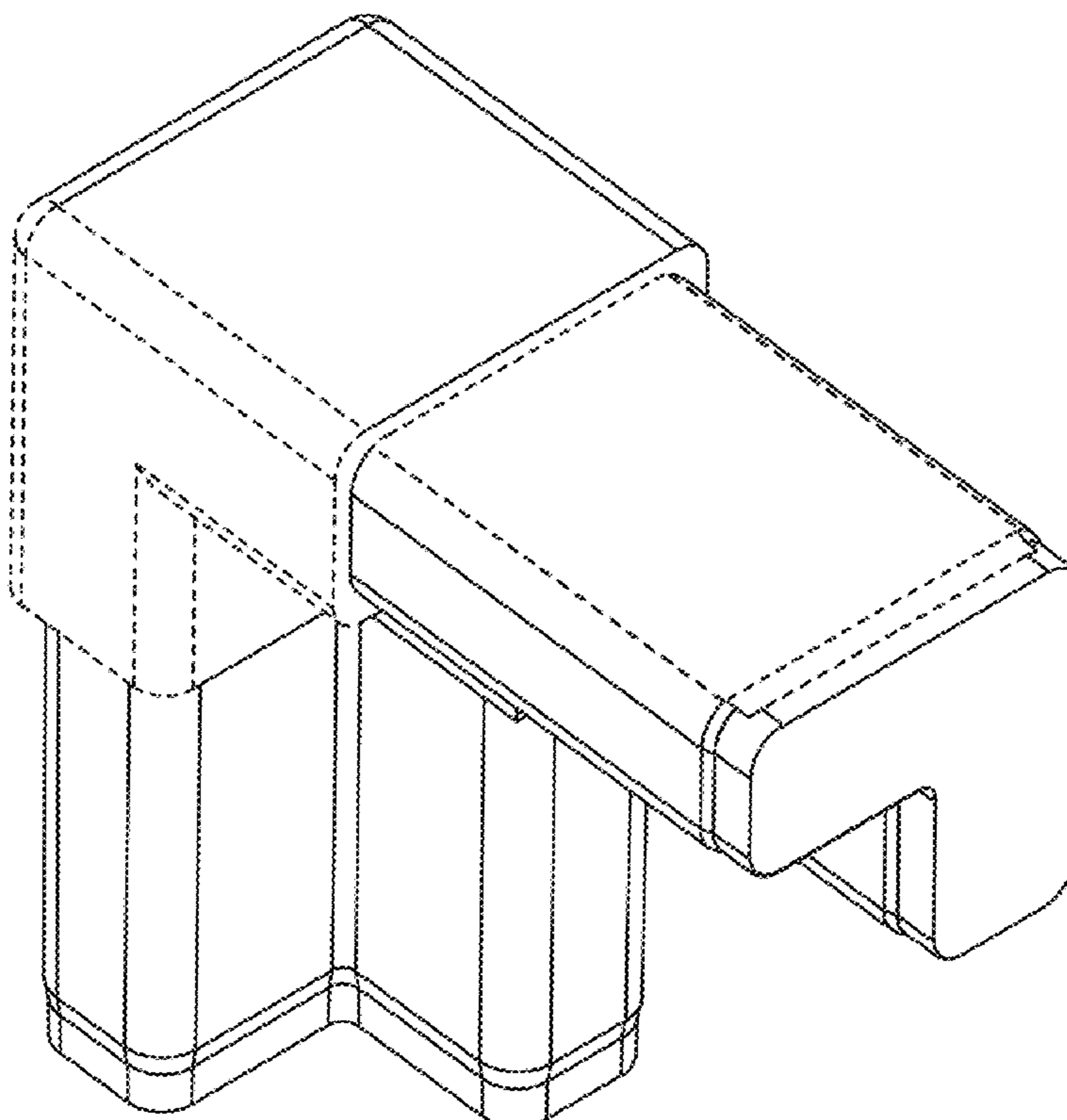
(57) **CLAIM**

The ornamental design for a bracket, as shown and described.

**DESCRIPTION**

FIG. 1 is a front perspective view of a bracket showing the new design;  
FIG. 2 is a front view thereof;  
FIG. 3 is a right side view;  
FIG. 4 is a rear view;  
FIG. 5 is a left side view;  
FIG. 6 is a top view; and,  
FIG. 7 is a bottom view.  
The dashed broken lines represent structure or features that form no part of the claimed design.

**1 Claim, 3 Drawing Sheets**



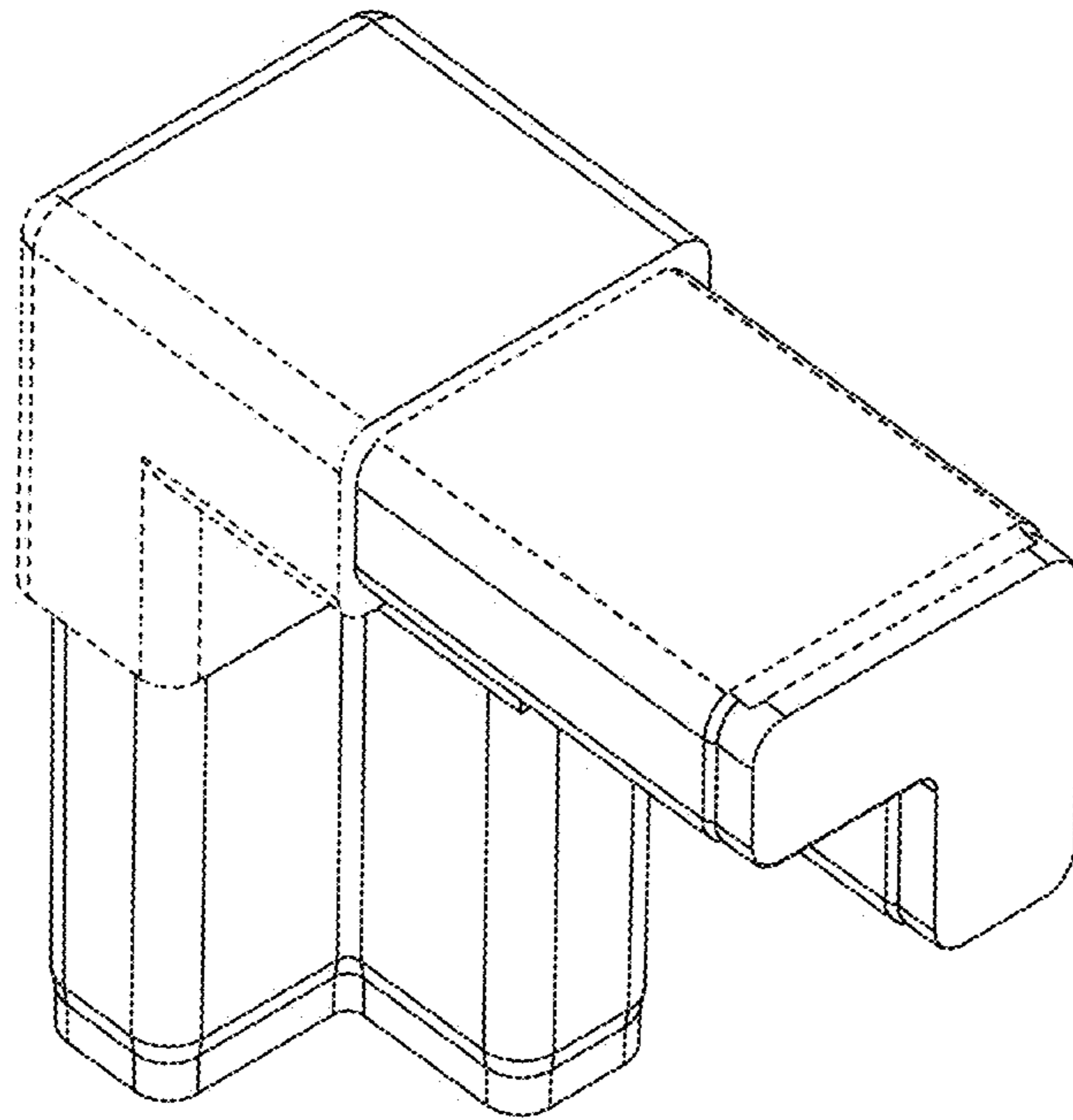


FIG. 1

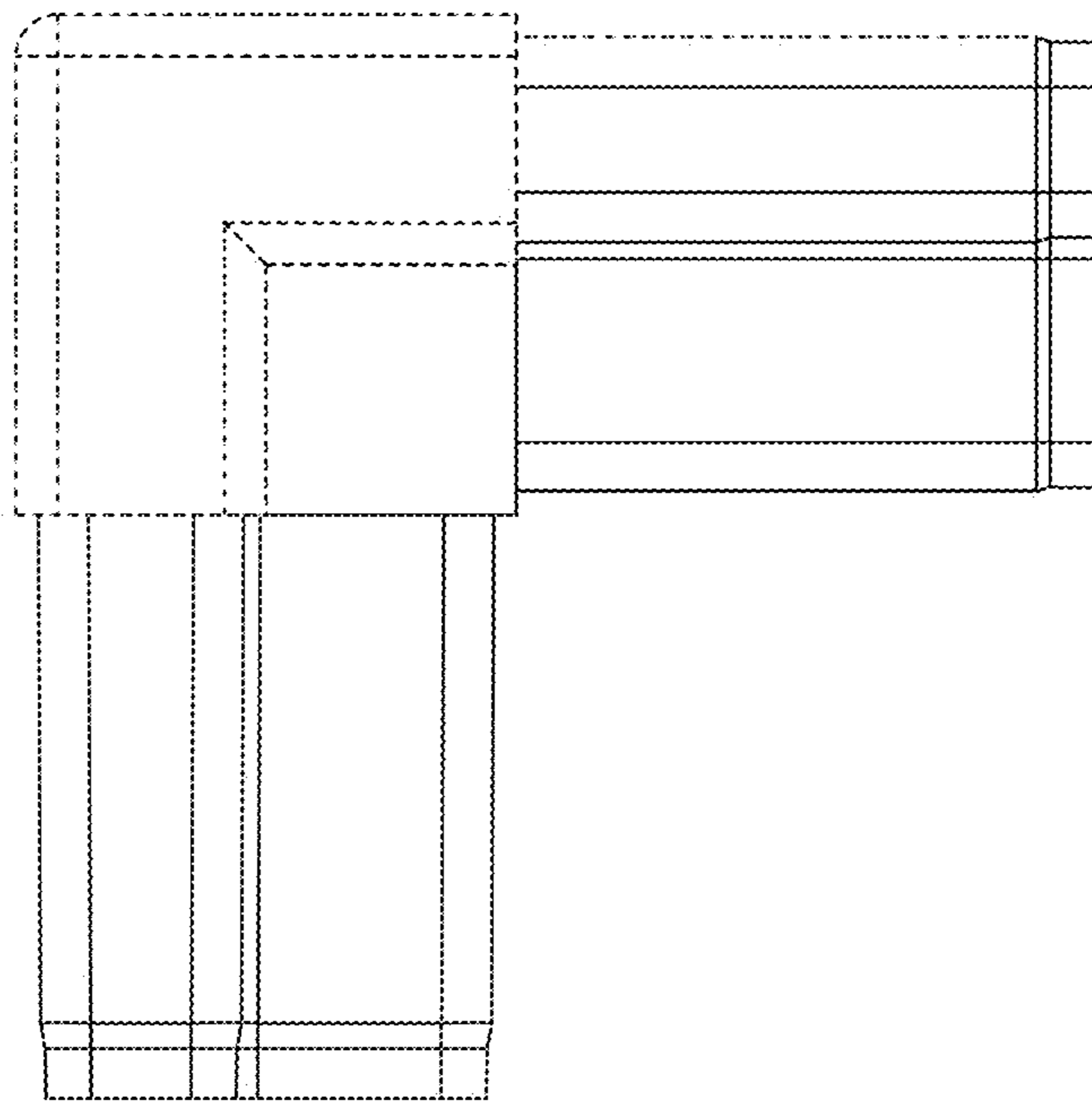


FIG. 2

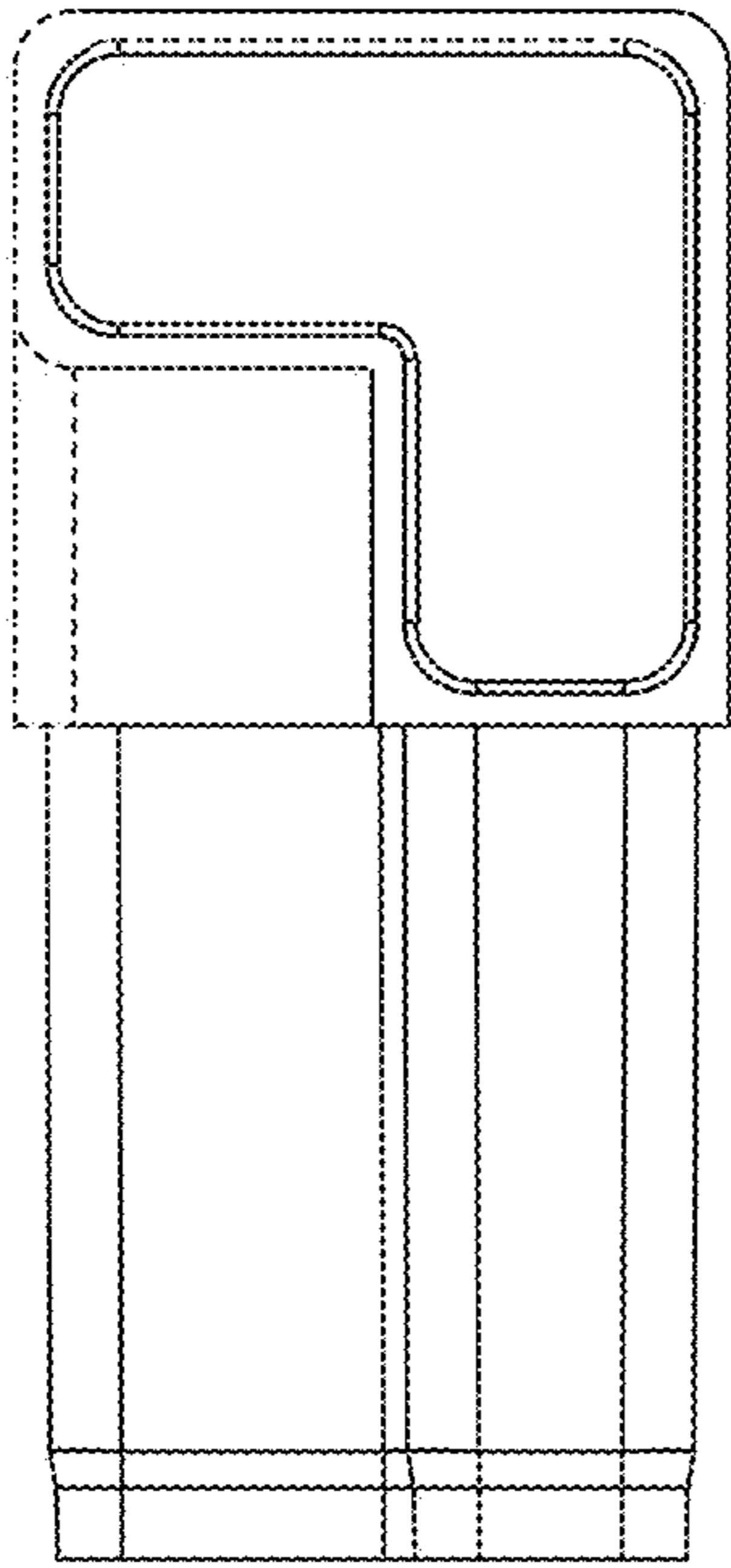


FIG. 3

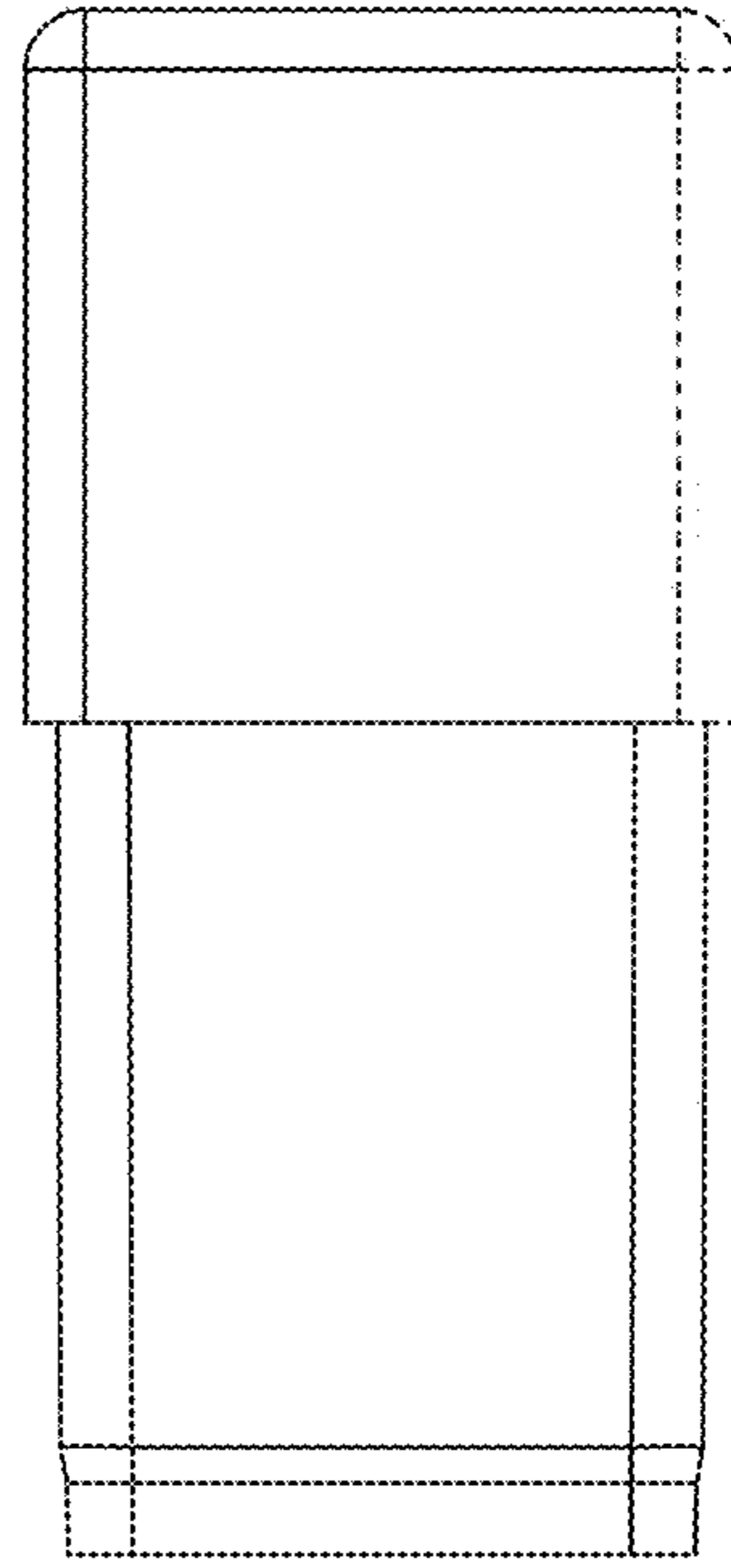


FIG. 5

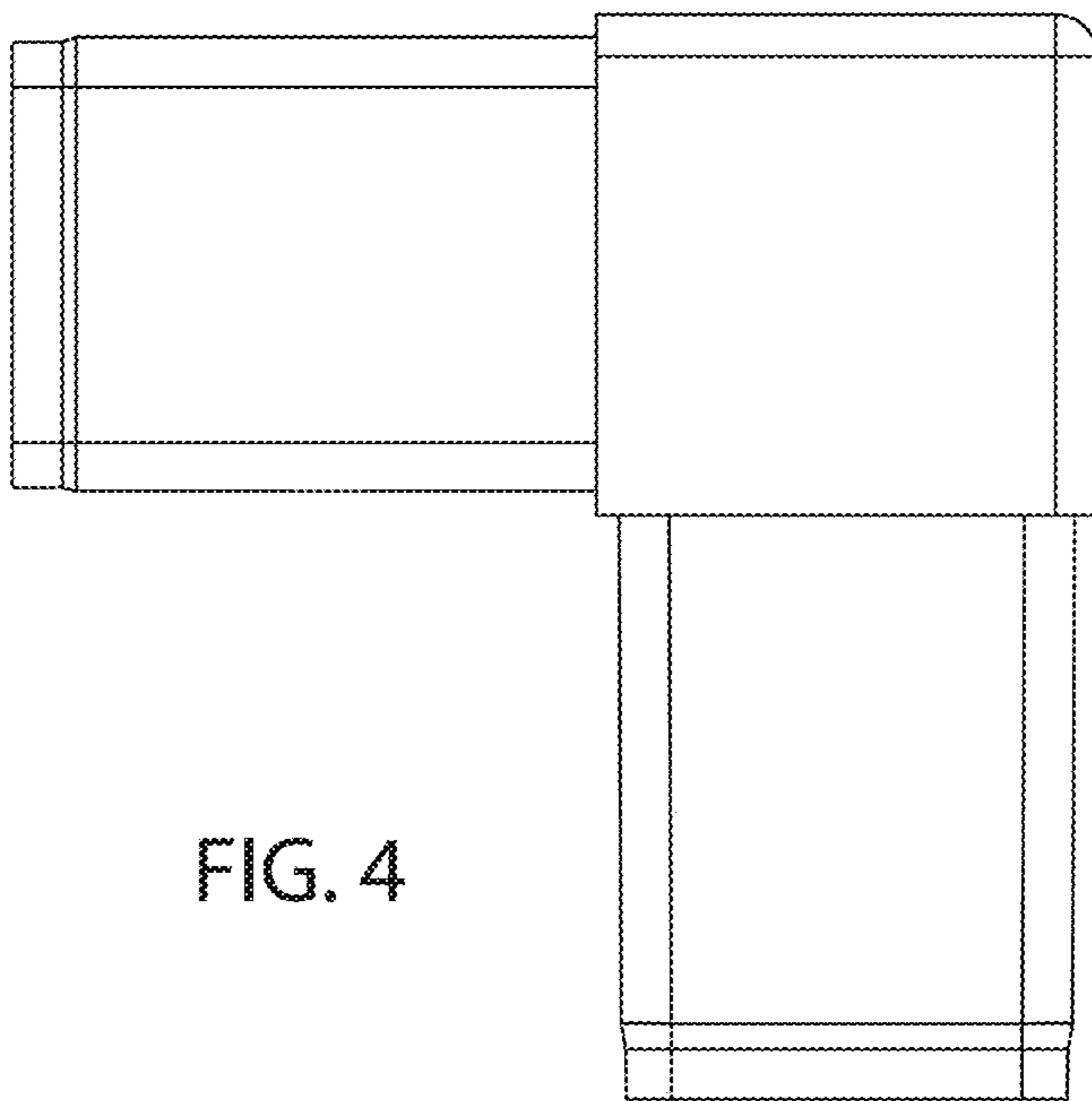


FIG. 4

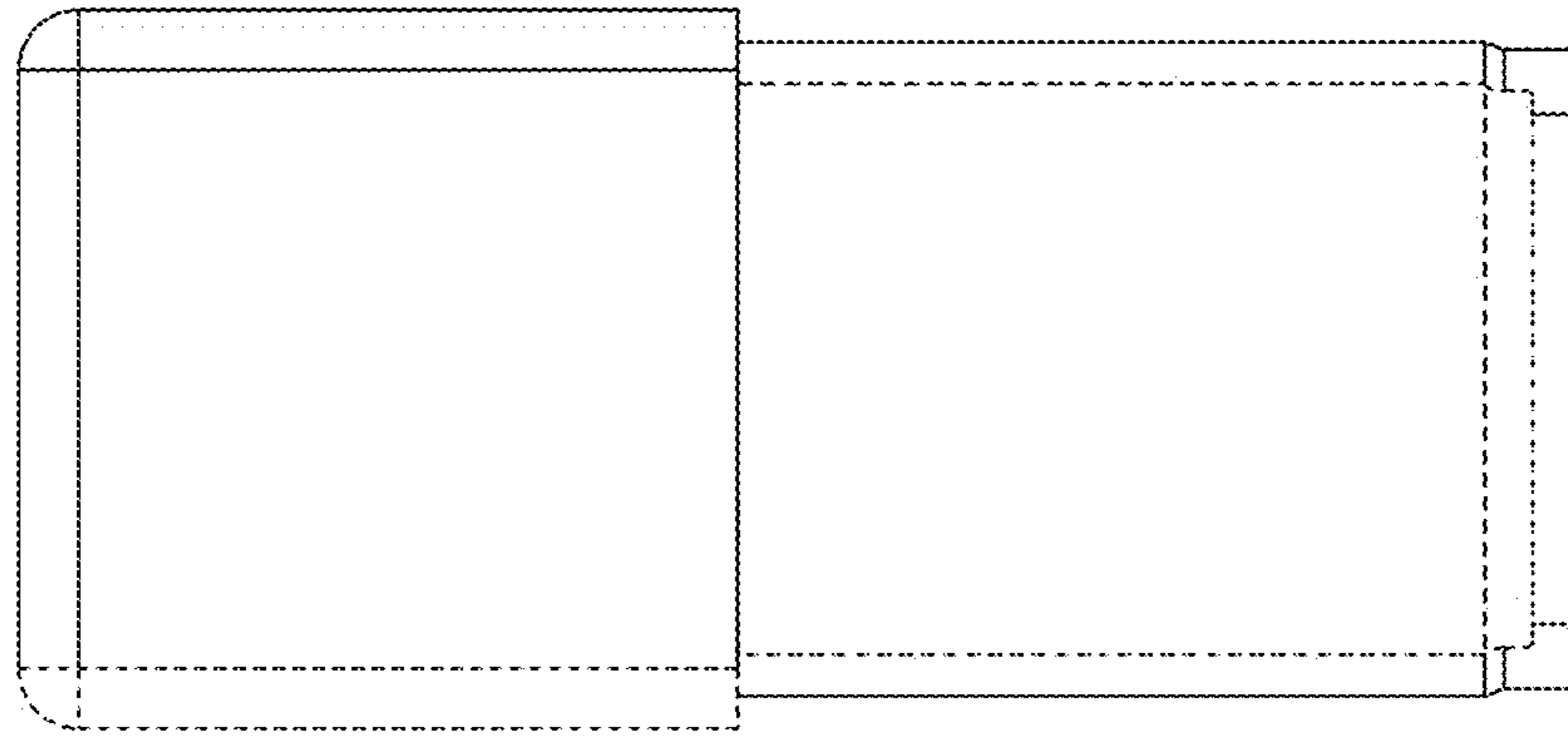


FIG. 6

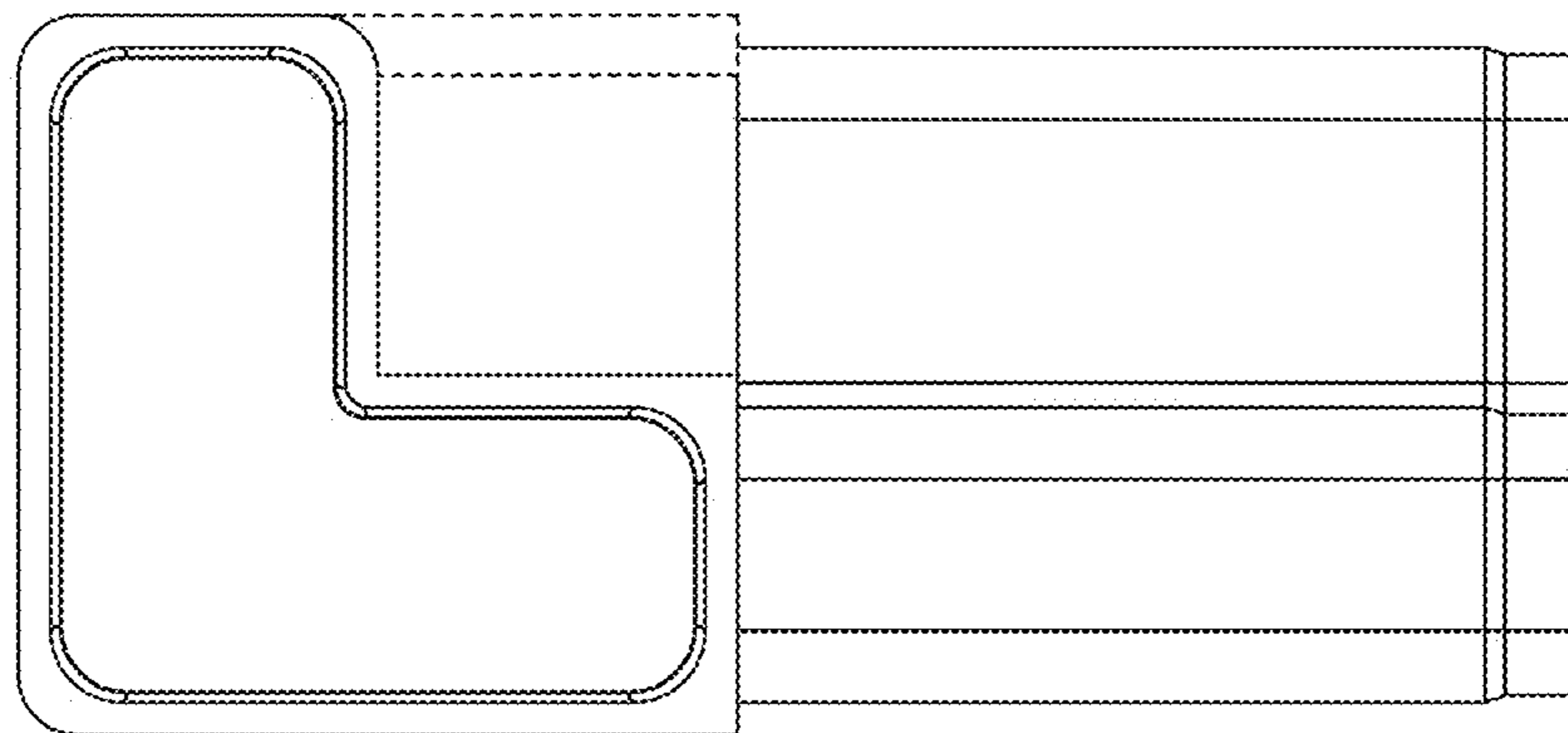


FIG. 7