



US00D918015S

(12) **United States Design Patent** (10) **Patent No.:** **US D918,015 S**
Orban et al. (45) **Date of Patent:** **** May 4, 2021**

(54) **KEY**
(71) Applicant: **CASCADES CANADA ULC,**
Montreal (CA)

(72) Inventors: **Benoit Orban,** Saint-Lambert (CA);
Gabrielle Poirier, Longueuil (CA);
Richard Paré, Boucherville (CA)

(73) Assignee: **CASCADES CANADA ULC,**
Montreal (CA)

(**) Term: **15 Years**

(21) Appl. No.: **29/758,662**

(22) Filed: **Nov. 17, 2020**

Related U.S. Application Data

(62) Division of application No. 29/662,586, filed on Sep. 6, 2018, now Pat. No. Des. 906,090.

(30) **Foreign Application Priority Data**

May 31, 2018 (CA) CA 181706

(51) **LOC (13) Cl.** **08-07**

(52) **U.S. Cl.**
USPC **D8/347**

(58) **Field of Classification Search**
USPC D8/347
CPC E05B 35/001; E05B 35/008; E05B 19/00;
E05B 19/0017; E05B 19/0041; E05B
19/0047; E05B 27/02
See application file for complete search history.

(56) **References Cited**

U.S. PATENT DOCUMENTS

D253,160 S 10/1979 Steinbach
D350,062 S 8/1994 Hoffman et al.
D575,137 S 8/2008 Stansberry et al.

D602,340 S * 10/2009 Wurdack D8/330
D623,042 S * 9/2010 Ranshaw D8/347
9,097,035 B2 8/2015 Litwinski
(Continued)

Primary Examiner — Doris Clark

(74) *Attorney, Agent, or Firm* — Marshall, Gerstein & Borun LLP

(57) **CLAIM**

The ornamental design for a key, as shown and described.

DESCRIPTION

The file of this patent contains at least one drawing/photograph executed in color. Copies of this patent with colored drawing(s)/photograph(s) will be provided by the Office upon request and payment of the necessary fee.

FIG. 1 is a perspective view of a key in accordance with a first variant;

FIG. 2 is a front elevation view of the key shown in FIG. 1, the rear elevation view being identical;

FIG. 3 is a right-side elevation view of the key shown in FIG. 1, the left-side being a mirror image thereof;

FIG. 4 is top plan view of the key shown in FIG. 1;

FIG. 5 is bottom plan view of the key shown in FIG. 1;

FIG. 6 is a perspective view of the key in accordance with a second variant;

FIG. 7 is a front elevation view of the key shown in FIG. 6, the rear elevation view being identical;

FIG. 8 is a right-side elevation view of the key shown in FIG. 6, the left-side being a mirror image thereof;

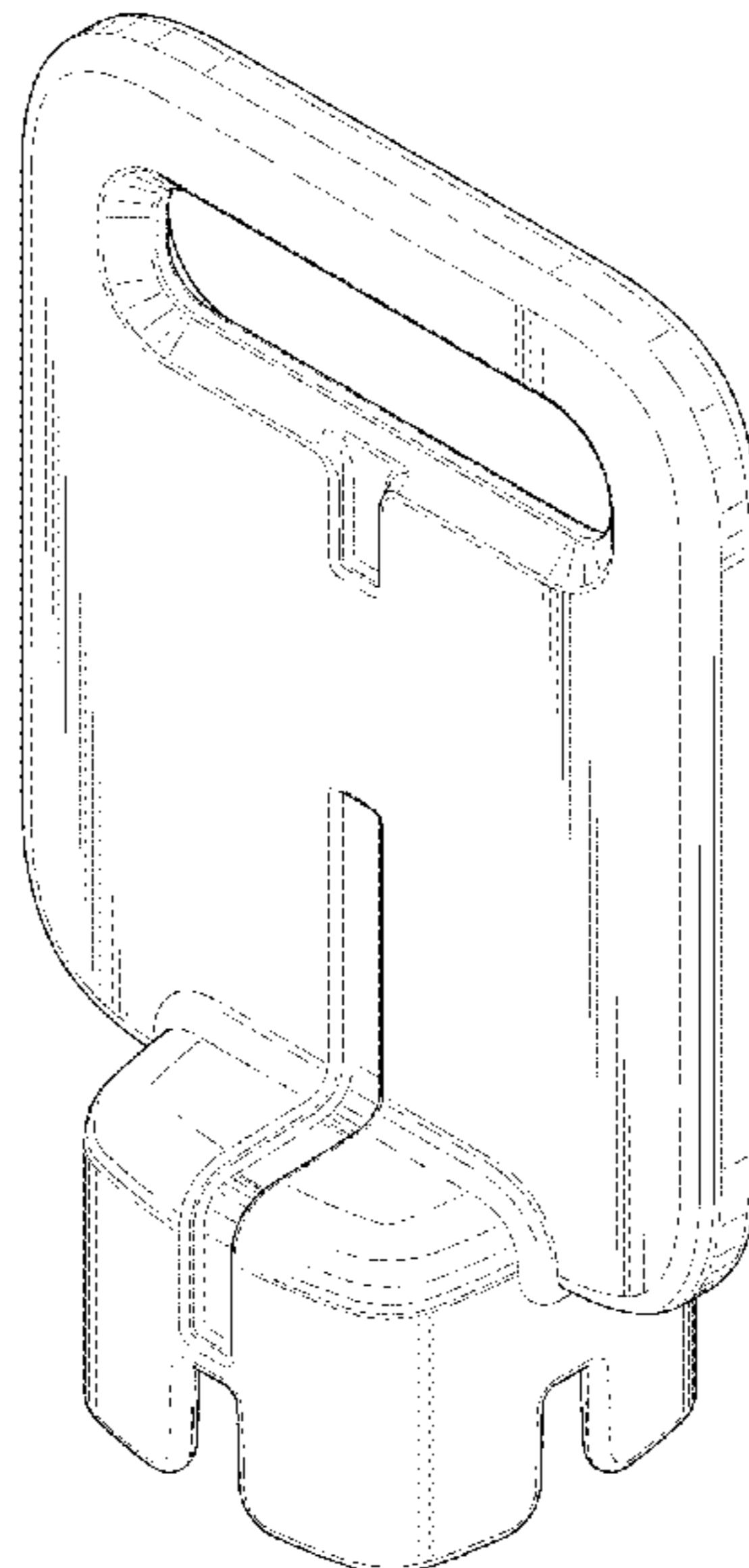
FIG. 9 is top plan view of the key shown in FIG. 6; and,

FIG. 10 is bottom plan view of the key shown in FIG. 6.

For FIGS. 6 to 10, submitted in color, the design is directed to the visual features of the blue key. Color forms part of the claimed design.

The broken lines are for illustrative purposes only that form no part of the claimed design.

1 Claim, 8 Drawing Sheets
(4 of 8 Drawing Sheet(s) Filed in Color)



(56)

References Cited

U.S. PATENT DOCUMENTS

9,435,140 B2	9/2016	Chen
D825,314 S	8/2018	Wild et al.
10,287,803 B2	5/2019	Reime
10,358,842 B2	7/2019	Wehr
10,703,252 B2	7/2020	Westfall

* cited by examiner

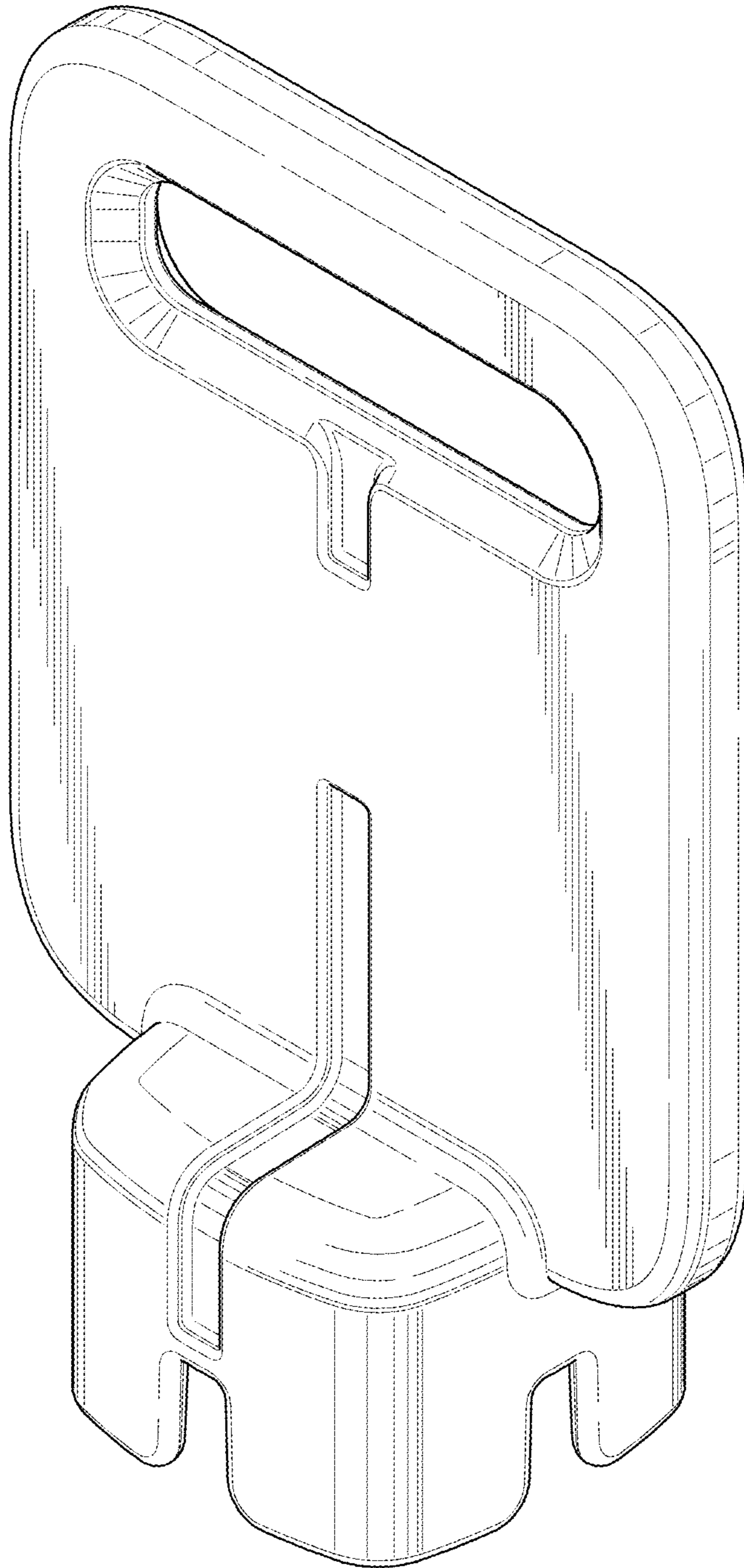


FIG. 1

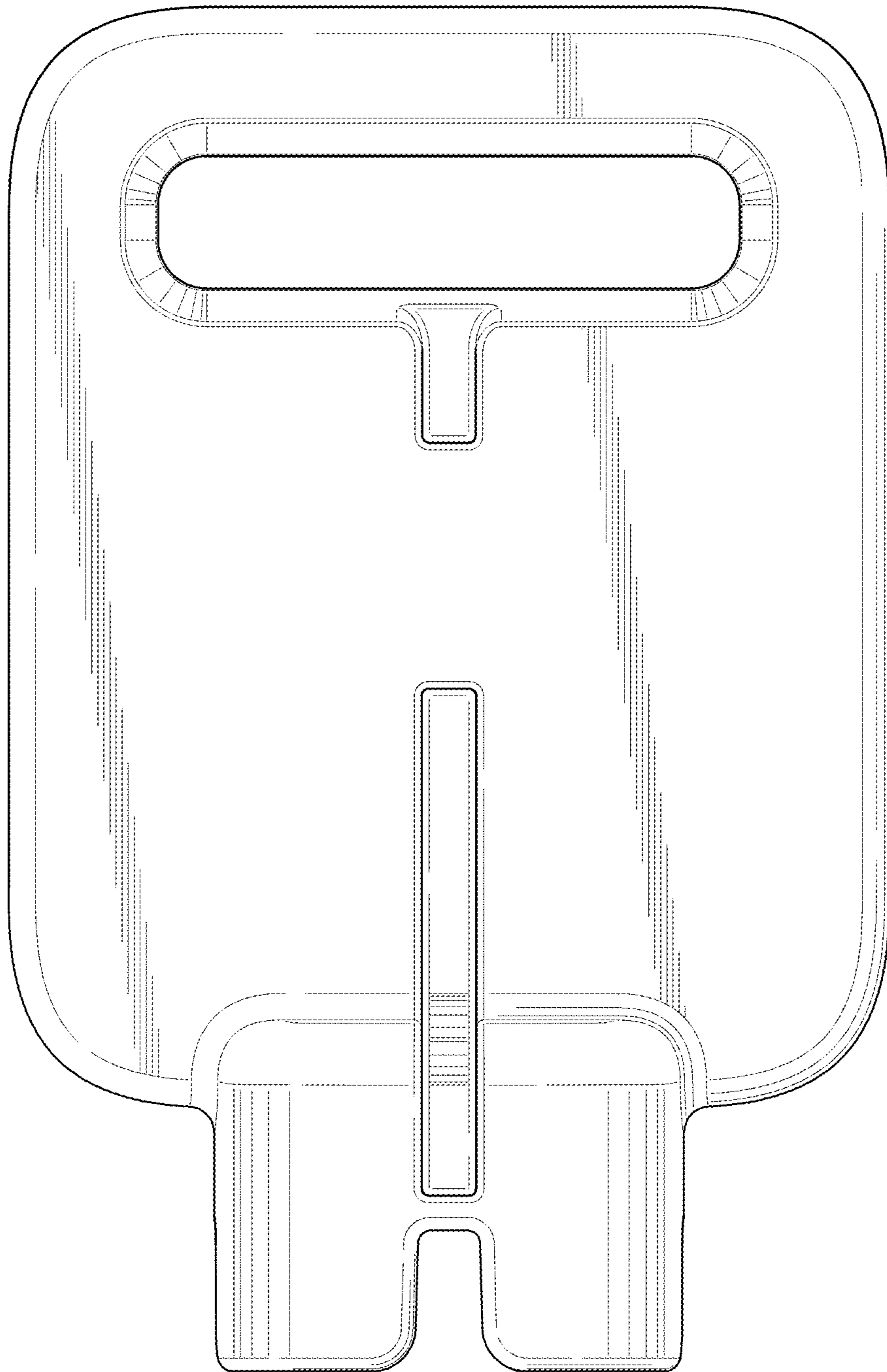


FIG. 2

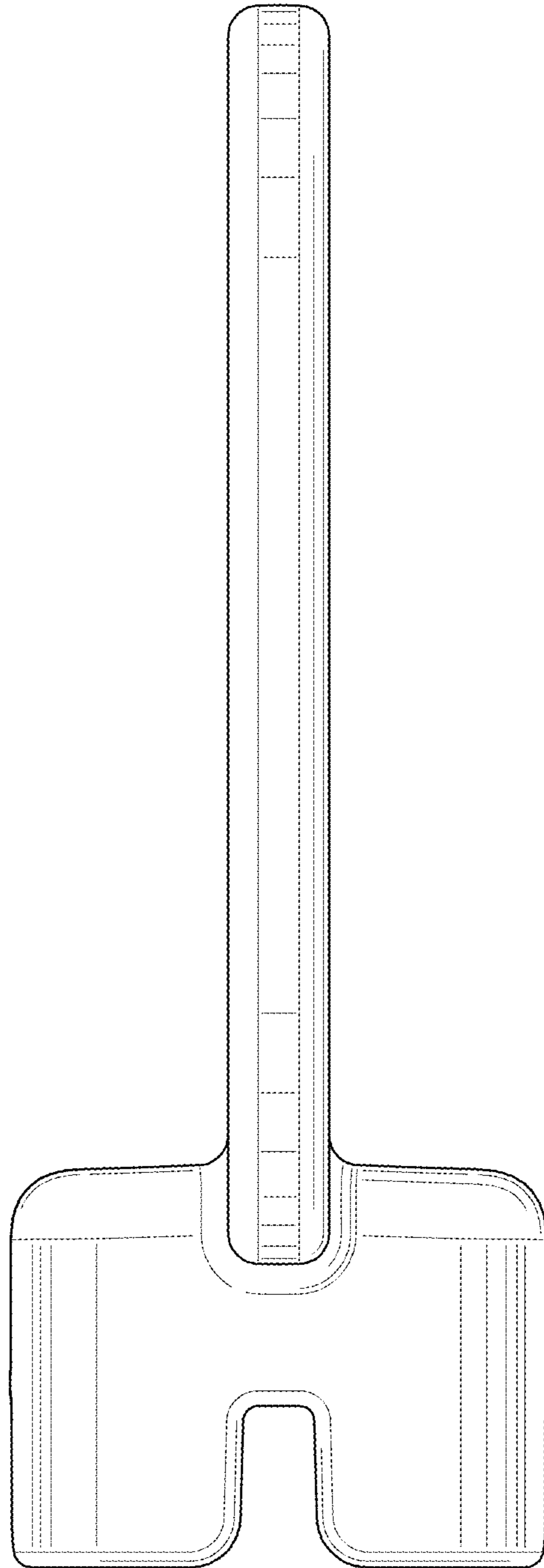


FIG. 3

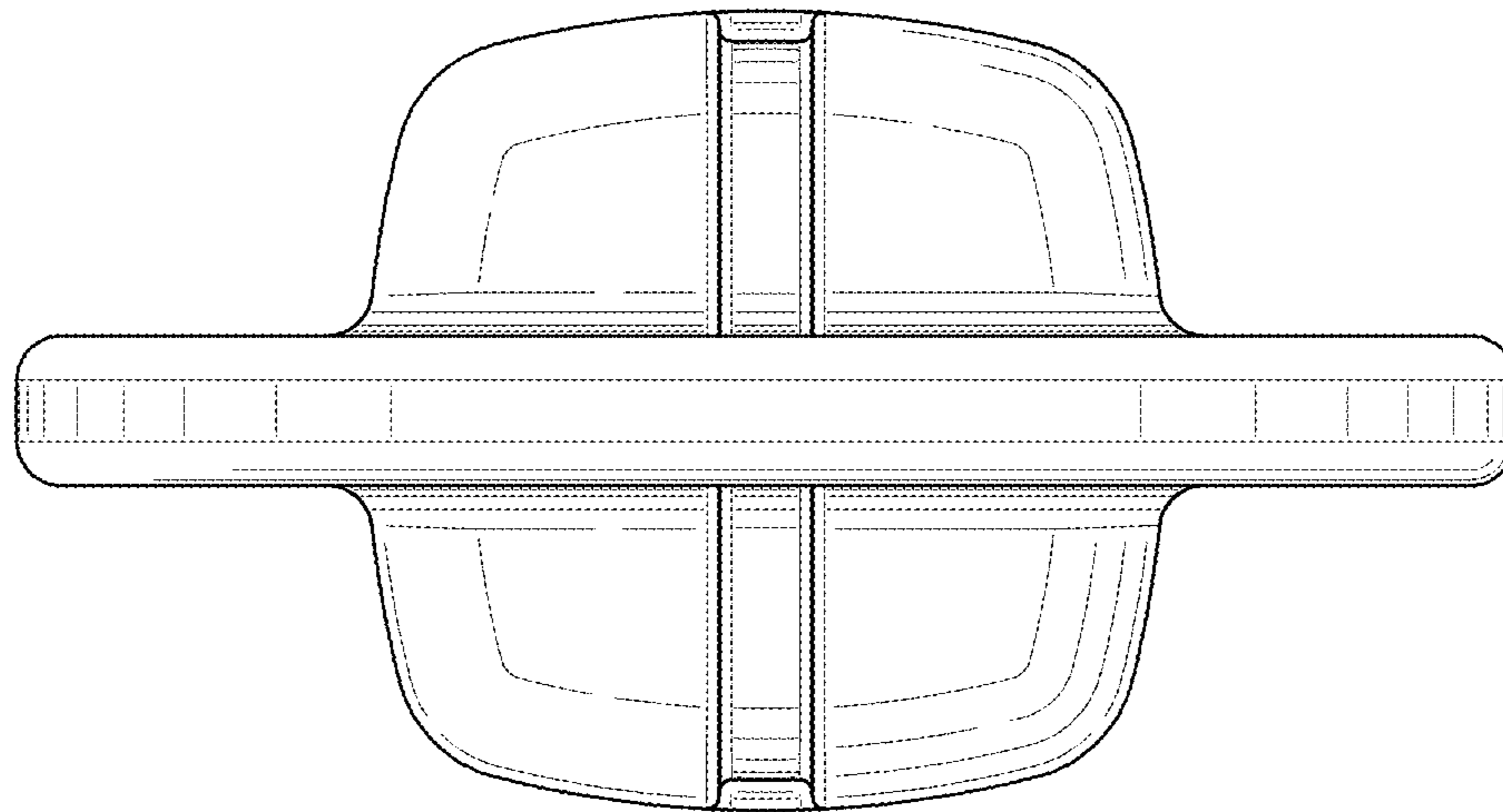


FIG. 4

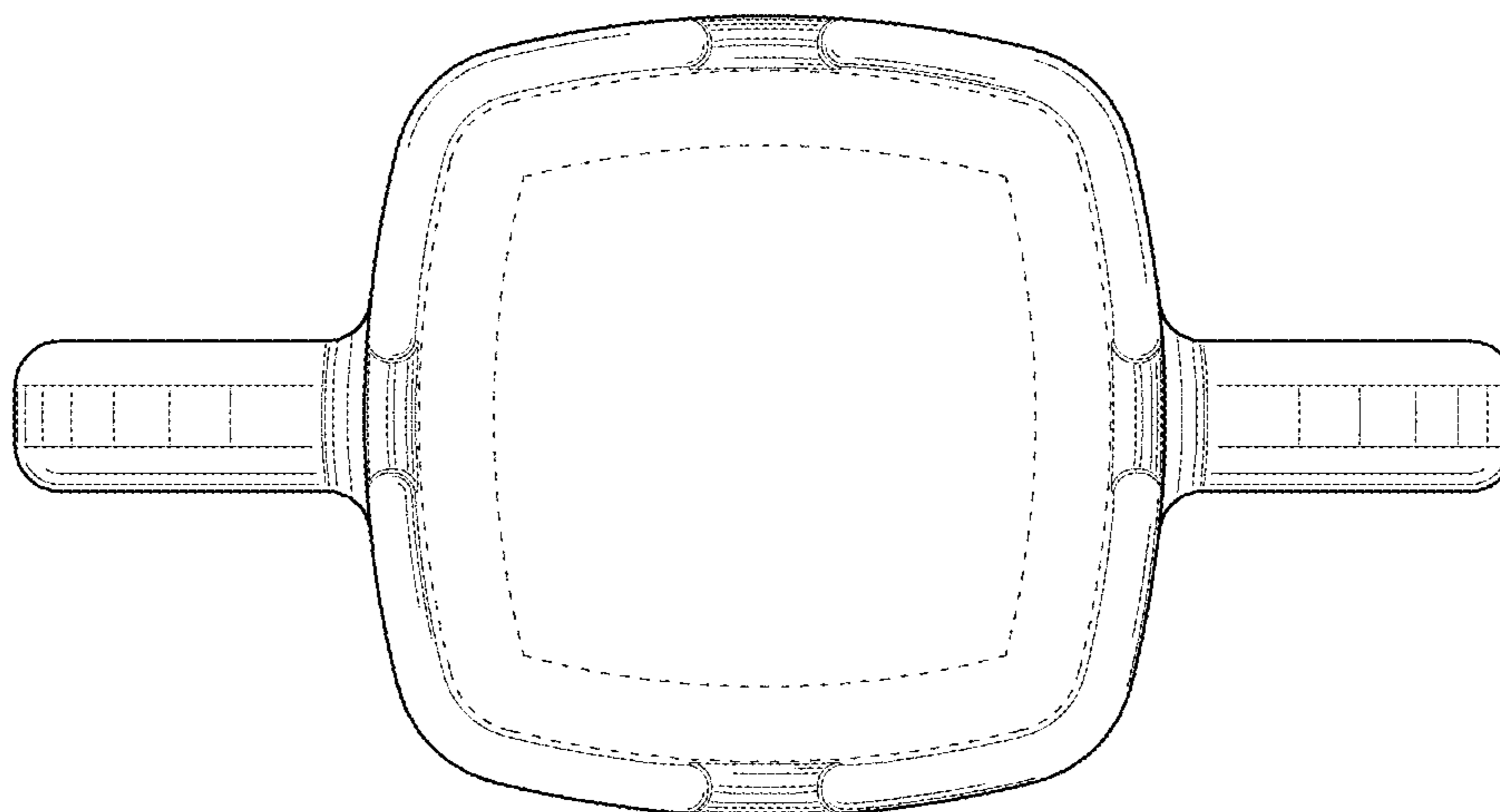


FIG. 5

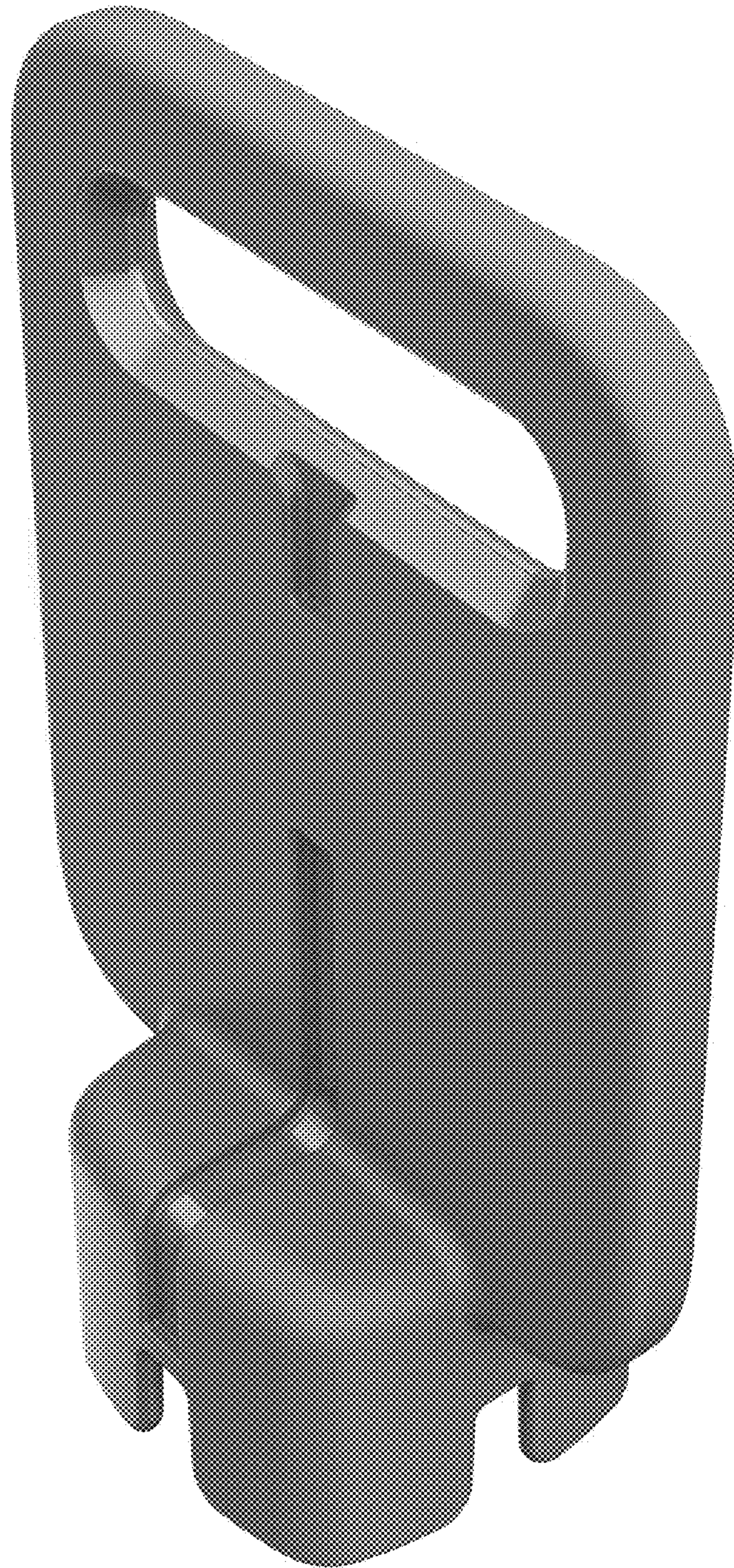


FIG. 6



FIG. 7

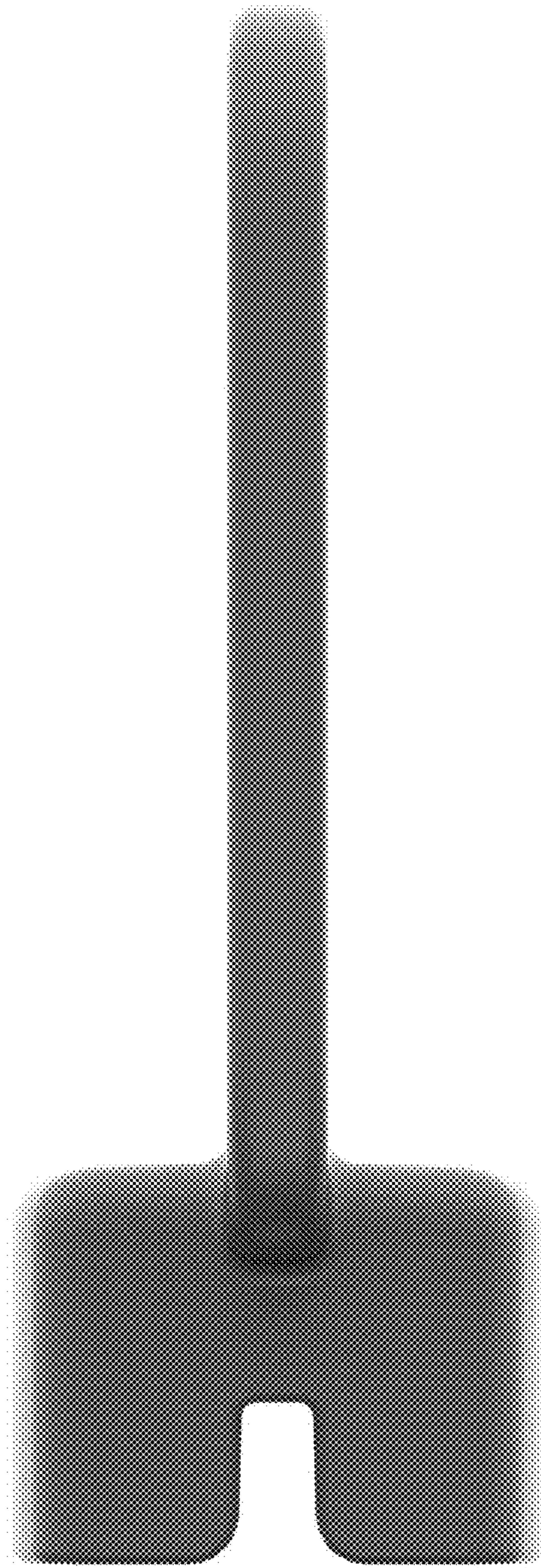


FIG. 8

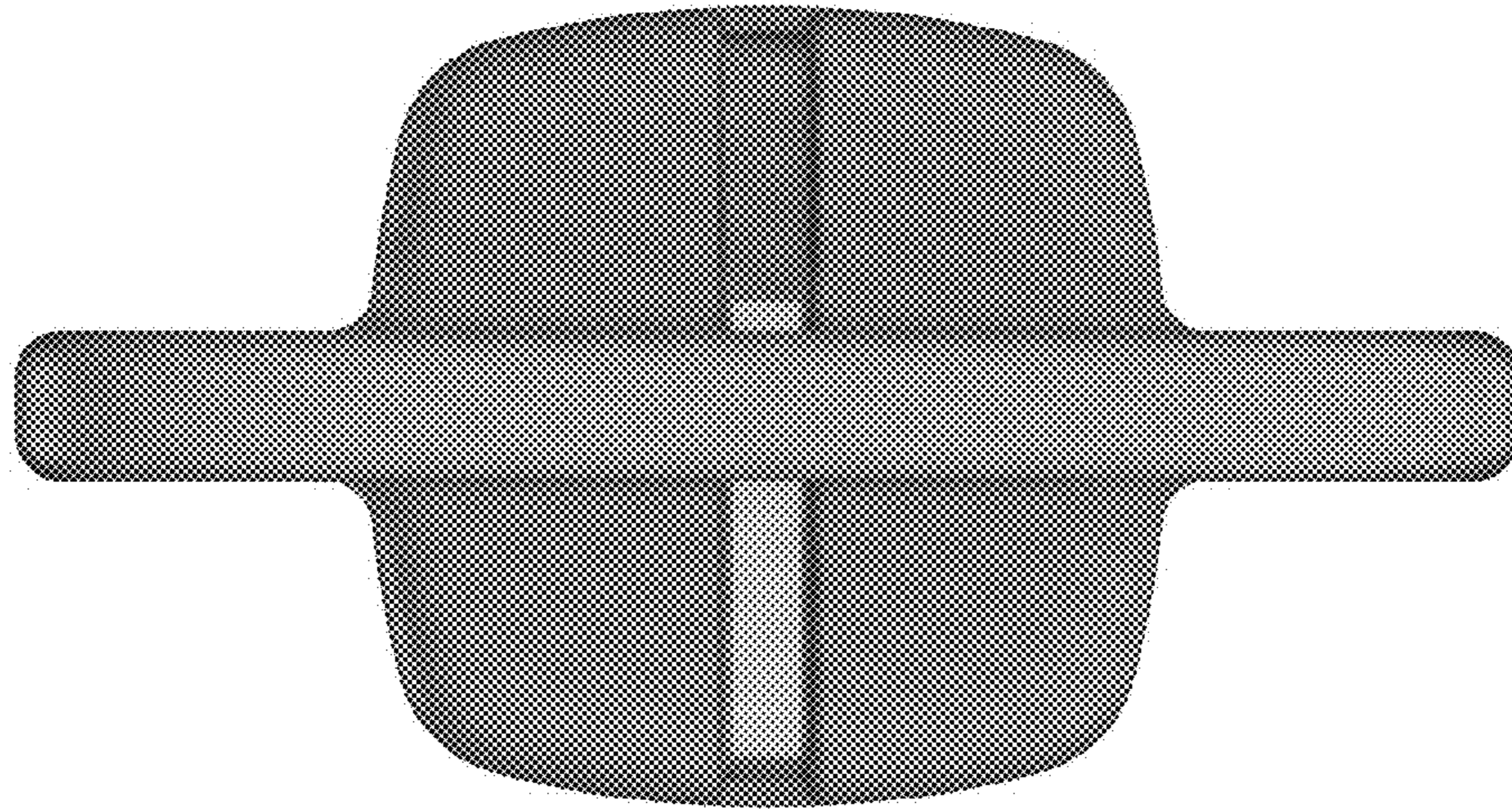


FIG. 9



FIG. 10