



US00D918013S

(12) **United States Design Patent**  
**Yang**

(10) **Patent No.:** **US D918,013 S**

(45) **Date of Patent:** **\*\* May 4, 2021**

(54) **MULTI-FUNCTION WIRE ROPE LOCK**

9,816,296 B2 \* 11/2017 Denny ..... B62H 5/003  
10,132,105 B1 \* 11/2018 Hawkins ..... H02G 1/00  
10,550,608 B2 \* 2/2020 Lam ..... E05B 63/0065

(71) Applicant: **Dongguan Guofeng Manufacture CO., LTD**, Dongguan (CN)

\* cited by examiner

(72) Inventor: **Efron Yang**, Dongguan (CN)

*Primary Examiner* — Doris Clark

(\*\*) Term: **15 Years**

(21) Appl. No.: **29/701,553**

(22) Filed: **Aug. 13, 2019**

(51) **LOC (13) Cl.** ..... **08-07**

(52) **U.S. Cl.** ..... **D8/333**  
USPC .....

(58) **Field of Classification Search**

USPC ..... D25/333, 330, 339, 394, 383, 343  
CPC . Y10T 292/34; Y10T 292/17; Y10T 292/087;  
Y10T 292/0872; Y10T 70/40; Y10T  
70/435; Y10T 70/483; Y10T 70/487;  
E05B 73/0005; E05B 73/0029; E05B  
67/003

See application file for complete search history.

(56) **References Cited**

**U.S. PATENT DOCUMENTS**

D657,226 S \* 4/2012 Benson ..... D8/333  
9,334,678 B2 \* 5/2016 Allen ..... E05B 71/00

(57) **CLAIM**

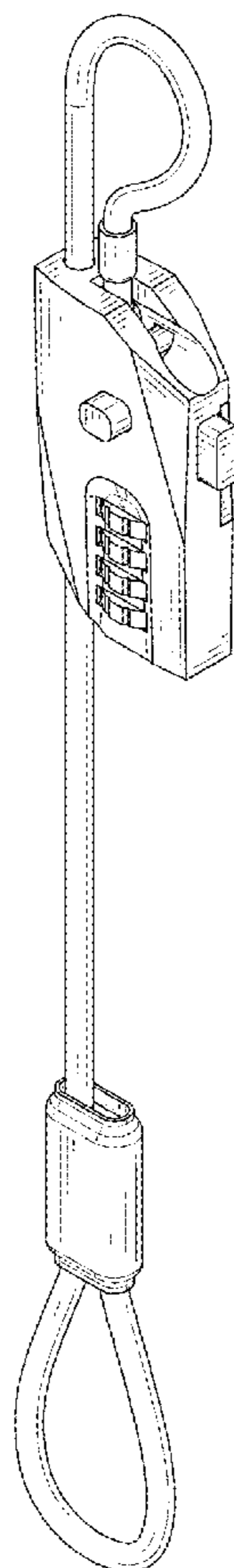
The ornamental design for a multi-function wire rope lock, as shown and described.

**DESCRIPTION**

FIG. 1 is a first perspective view of a multi-function wire rope lock showing my design;  
FIG. 2 is a second perspective view thereof;  
FIG. 3 is a front view thereof;  
FIG. 4 is a back view thereof;  
FIG. 5 is a left side view thereof;  
FIG. 6 is a right side view thereof;  
FIG. 7 is a top view thereof; and,  
FIG. 8 is a bottom view thereof.

The broken lines shown in the drawings depict portions of the multi-function wire rope lock in which the design is embodied that form no part of the claimed design.

**1 Claim, 8 Drawing Sheets**



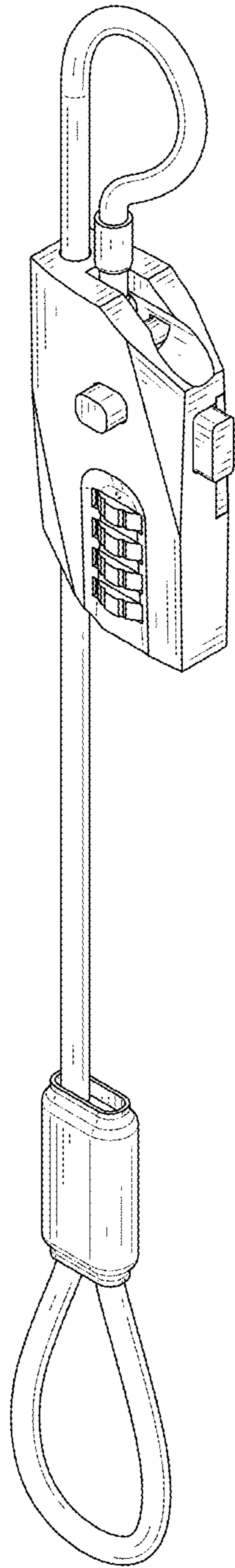


FIG. 1

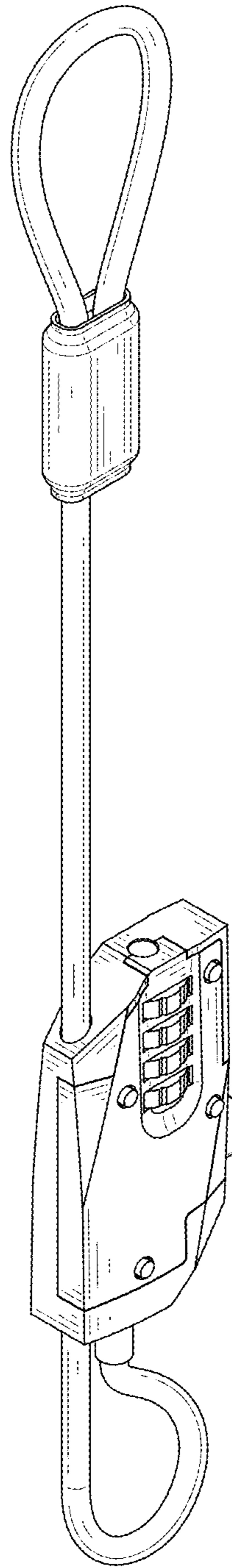


FIG. 2

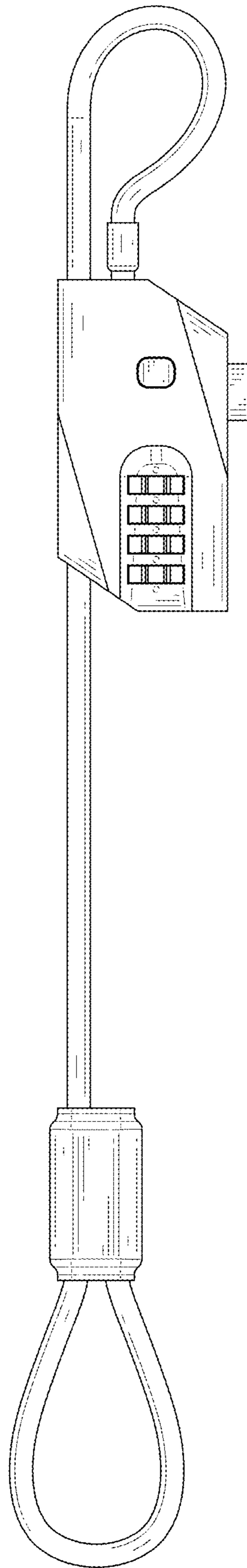


FIG. 3

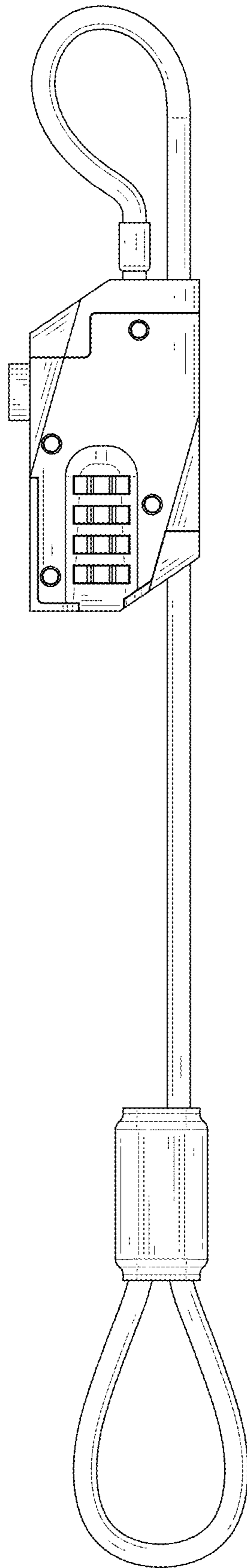


FIG. 4

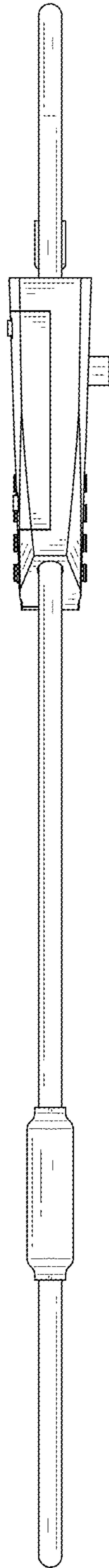


FIG. 5

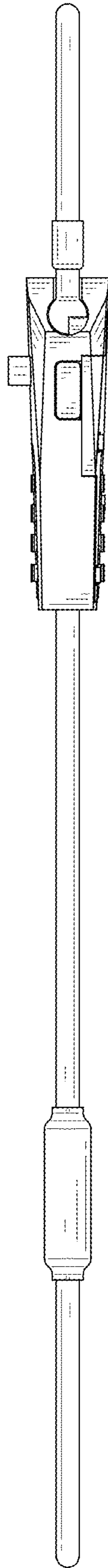


FIG. 6

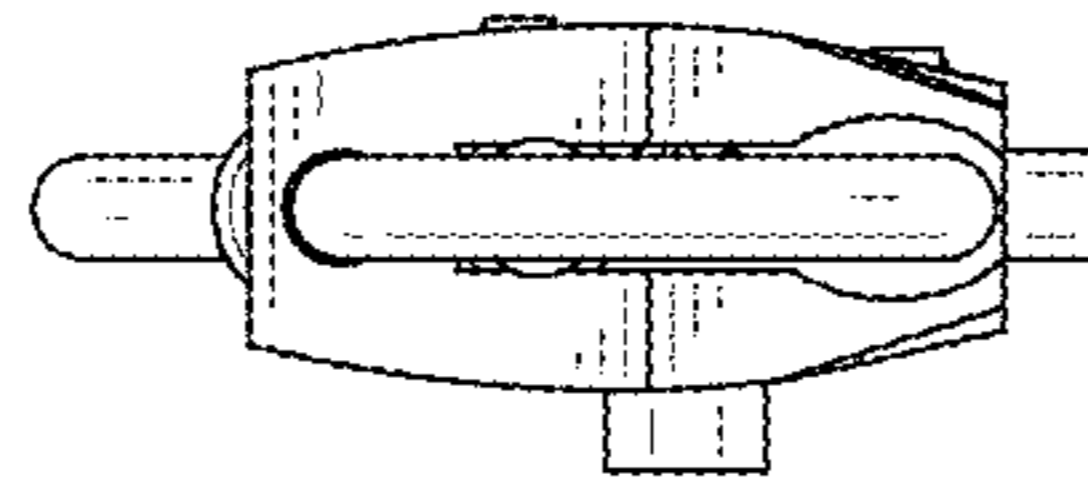


FIG. 7



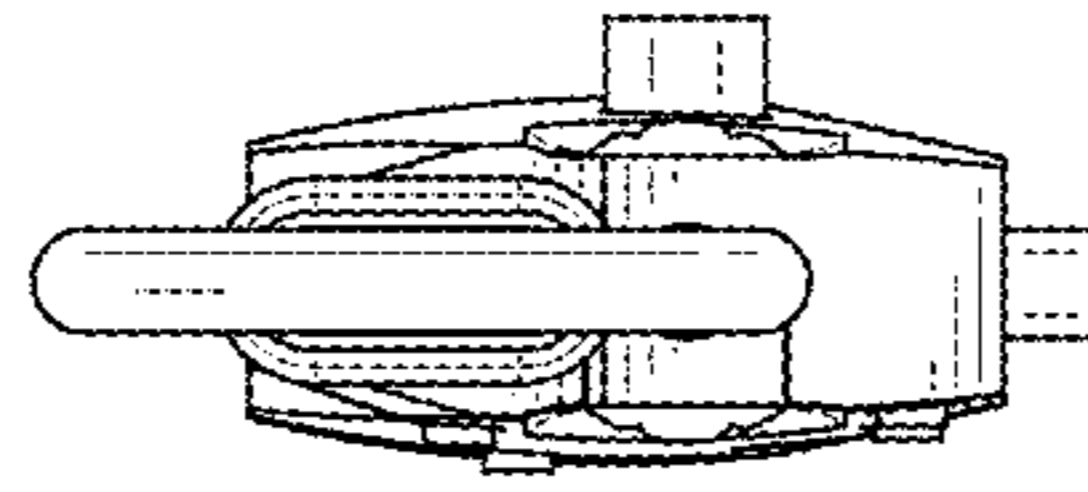


FIG. 8