



US00D918012S

(12) **United States Design Patent**
Wikstrom

(10) **Patent No.:** **US D918,012 S**

(45) **Date of Patent:** **** May 4, 2021**

- (54) **TAMPER-EVIDENT BOX LOCK**
- (71) Applicant: **Todd Wikstrom**, Las Vegas, NV (US)
- (72) Inventor: **Todd Wikstrom**, Las Vegas, NV (US)
- (**) Term: **15 Years**
- (21) Appl. No.: **29/722,055**
- (22) Filed: **Jan. 25, 2020**

- D58,185 S * 6/1921 Downey et al. D26/30
 - D92,232 S * 5/1934 Damme D18/24
 - D92,586 S * 6/1934 Damme D18/24
- (Continued)

FOREIGN PATENT DOCUMENTS

- CN 305208065 * 8/2018
 - CN 305234784 * 2/2019
- (Continued)

OTHER PUBLICATIONS

MARGREITER TECHNIK, Security Seal Drum S, [online]retrieved Nov. 17, 2020, available from internet, <https://www.margreiter-technik.com/> (Year: 2020).*

(Continued)

Primary Examiner — Keli L Hill
Assistant Examiner — Sara S Sahneh
(74) *Attorney, Agent, or Firm* — Quickpatents, LLC;
Kevin Prince

Related U.S. Application Data

- (63) Continuation-in-part of application No. 29/694,703, filed on Jun. 12, 2019.
 - (51) **LOC (13) Cl.** **08-07**
 - (52) **U.S. Cl.**
USPC **D8/331**; D8/330
 - (58) **Field of Classification Search**
USPC D8/232–334, 336–350; 292/341, 341.1, 292/340, 344, 343, 18, 201, 216, 332, 292/335, 428, 163, 319, 317, 307 R, 292/307 A, 320, 327; 70/279.1, 277; D10/106.9, 106.91, 106.4, 109; D21/722, D21/707, 312; D26/30; D11/57, 73, D11/157, 99; D18/24, 25, 26
CPC E05B 81/06; E05B 77/26; E05B 81/34; E05B 83/36; E05B 79/04; E05B 15/1635; E05B 85/24; E05B 13/301; E05B 35/00; E05B 65/0811; E05B 63/0065; E05B 47/0012; Y10T 292/1082; Y10T 70/65; Y10T 292/0969; Y10T 292/494; E05Y 2900/531; E05C 1/04; B66B 3/002; B64C 1/00; B64C 1/14; G09F 3/0311; G09F 2003/0208; G09F 3/03
- See application file for complete search history.

(57) **CLAIM**

The ornamental design for a tamper-evident box lock, as shown and described.

DESCRIPTION

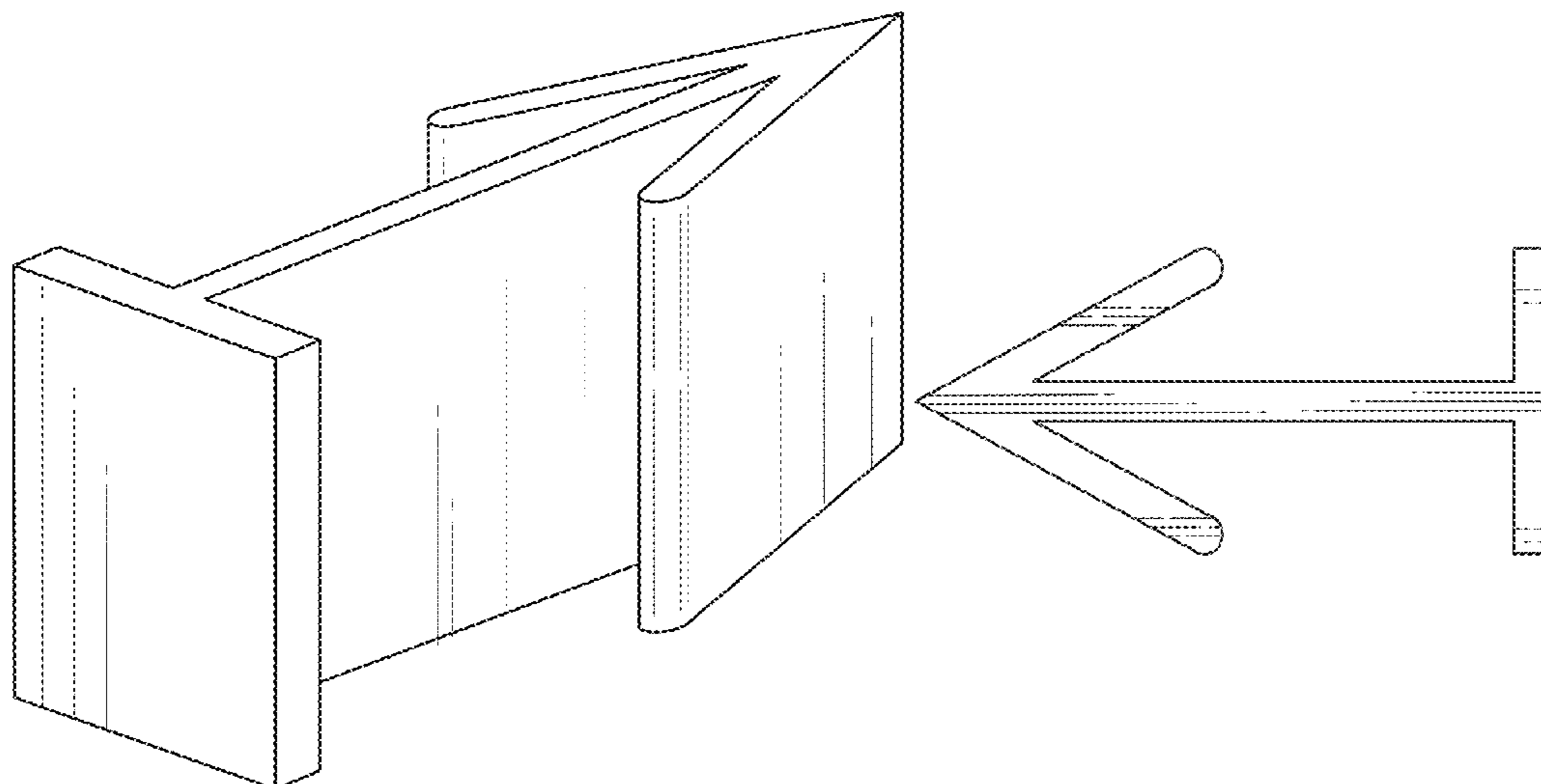
FIG. 1 is a perspective view of a tamper-evident box lock, showing my new design;
FIG. 2 is an enlarged perspective view thereof;
FIG. 3 is a top plan view thereof, the bottom plan view being a mirror image thereof;
FIG. 4 is a left-side elevational view thereof, the right-side elevational view being a mirror image thereof;
FIG. 5 is a front elevational view thereof; and,
FIG. 6 is a rear elevational view thereof.
The broken lines showing a pizza box in FIG. 1 depict environmental matter and form no part of the claimed design.

(56) **References Cited**

U.S. PATENT DOCUMENTS

- D33,666 S * 12/1900 Boettcher D21/707
- D39,604 S * 10/1908 Ryan D21/707

1 Claim, 3 Drawing Sheets



(56)

References Cited

U.S. PATENT DOCUMENTS

D94,020 S * 12/1934 Chernow D18/24
 D124,876 S * 1/1941 Rinehart D26/30
 D141,796 S * 7/1945 Brand D11/73
 2,760,710 A * 8/1956 Fritz B65D 5/665
 229/158
 2,944,539 A * 7/1960 Wheeler F41B 5/0005
 124/22
 3,109,051 A * 10/1963 Vogel H01R 4/22
 174/87
 D240,237 S * 6/1976 McVicker D11/157
 D248,936 S * 8/1978 Lohan D11/157
 D250,580 S * 12/1978 Hart D11/42
 4,137,610 A * 2/1979 Hoen F16B 5/10
 24/580.1
 D264,565 S * 5/1982 Medeiros D10/109.1
 4,534,352 A * 8/1985 Korthoff A61B 17/0643
 606/220
 4,832,557 A * 5/1989 Jacobsen E02D 17/20
 405/19
 4,994,073 A * 2/1991 Green A61B 17/064
 411/457
 5,058,315 A * 10/1991 Wagner A01G 20/30
 47/1.01 R
 5,211,722 A * 5/1993 Wagner A01G 20/30
 47/58.1 R
 5,224,439 A * 7/1993 O'Connell B60Q 7/02
 116/201
 5,468,034 A * 11/1995 Kopel F41B 5/1465
 29/278
 5,937,840 A * 8/1999 Winton F41B 5/0005
 124/24.1
 D422,524 S * 4/2000 Tam D10/114.1
 6,817,818 B2 * 11/2004 Farrell F16B 15/0015
 411/450
 D553,271 S * 10/2007 Huang D26/30

D569,766 S * 5/2008 Cavness D11/157
 D571,253 S * 6/2008 Cavness D11/157
 D594,797 S * 6/2009 Lee D12/190
 D685,289 S * 7/2013 Wang D11/99
 D709,350 S * 7/2014 Mason D8/331
 8,808,006 B2 * 8/2014 Ureles B43K 23/002
 434/415
 D744,035 S * 11/2015 Nguyen D19/113
 D789,444 S * 6/2017 Korankye D18/25
 9,844,377 B2 * 12/2017 Peterson A61B 17/08
 D808,478 S * 1/2018 Stewart D21/712
 D873,937 S * 1/2020 Kuncis D21/780
 D888,599 S * 6/2020 Weinroth D11/131
 D888,601 S * 6/2020 Weinroth D11/131
 2007/0088277 A1 * 4/2007 McGinley A61B 17/3462
 604/167.01
 2012/0305634 A1 * 12/2012 VonAlst B65D 85/36
 229/146
 2019/0098964 A1 * 4/2019 Gaddy A44B 13/0029
 2019/0119005 A1 * 4/2019 Taratuta B65D 33/1675

FOREIGN PATENT DOCUMENTS

GB 2034509 * 10/1993
 GB 2045690 * 2/1995
 IN 317980-001-0001 * 5/2019
 IN 241094-0001 * 11/2019
 WO D090739-003 * 3/2016

OTHER PUBLICATIONS

ELC Security Products, Anchor ATM Molded Seals 5-1/2"x5/64", Green, Pk250, Date first available Jul. 13, 2020, [online] retrieved Nov. 17, 2020, available from internet, https://www.amazon.com/dp/B08B1PNNJZ/ref=sspa_dk_detail_4?psc=1&pd_rd_i=B08B1PNNJZ&pd_rd_w=hGMa6&pf_rd_p=7d37a48b-2b1a-4373-8c1a (Year: 2020).*

* cited by examiner

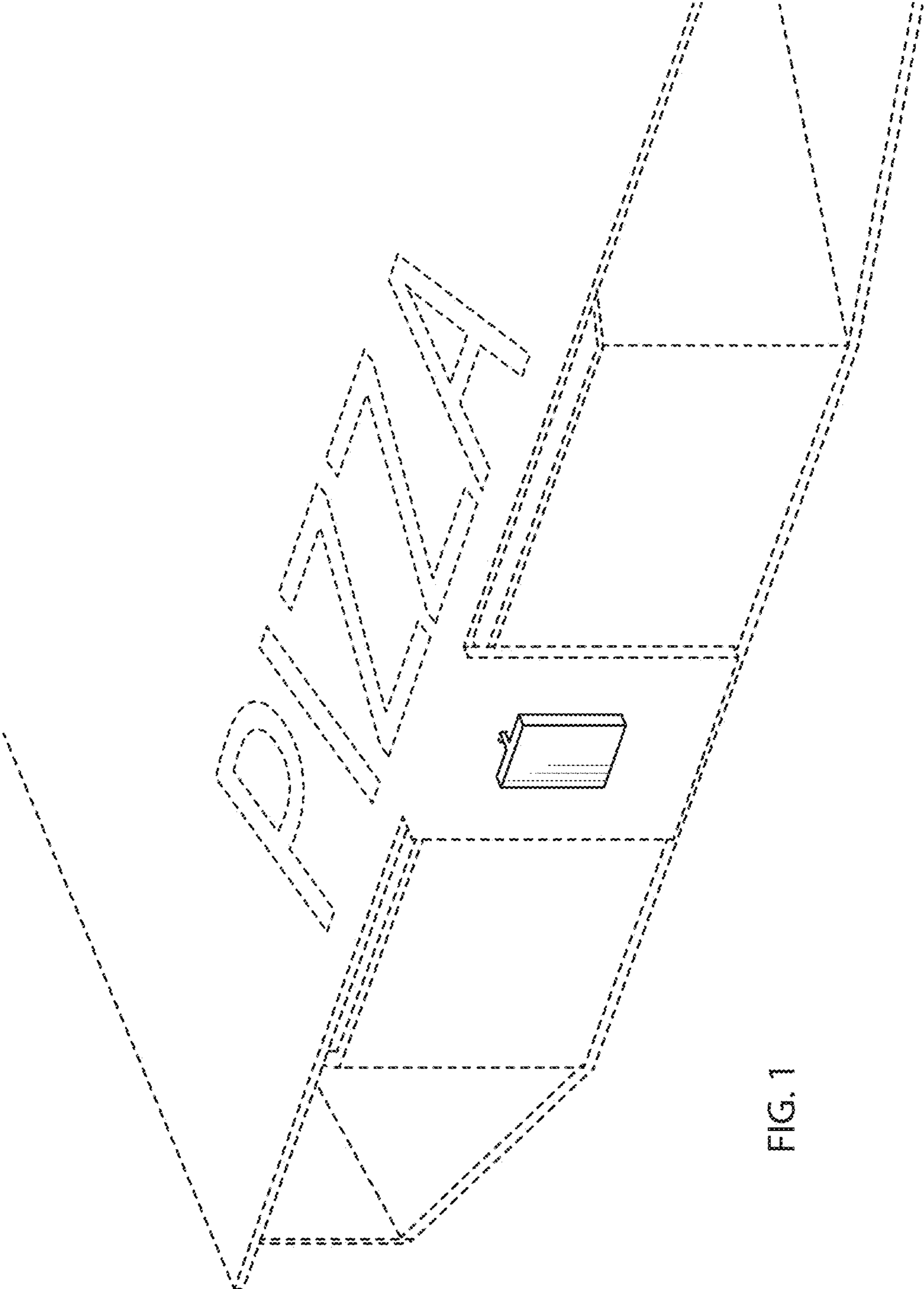


FIG. 1

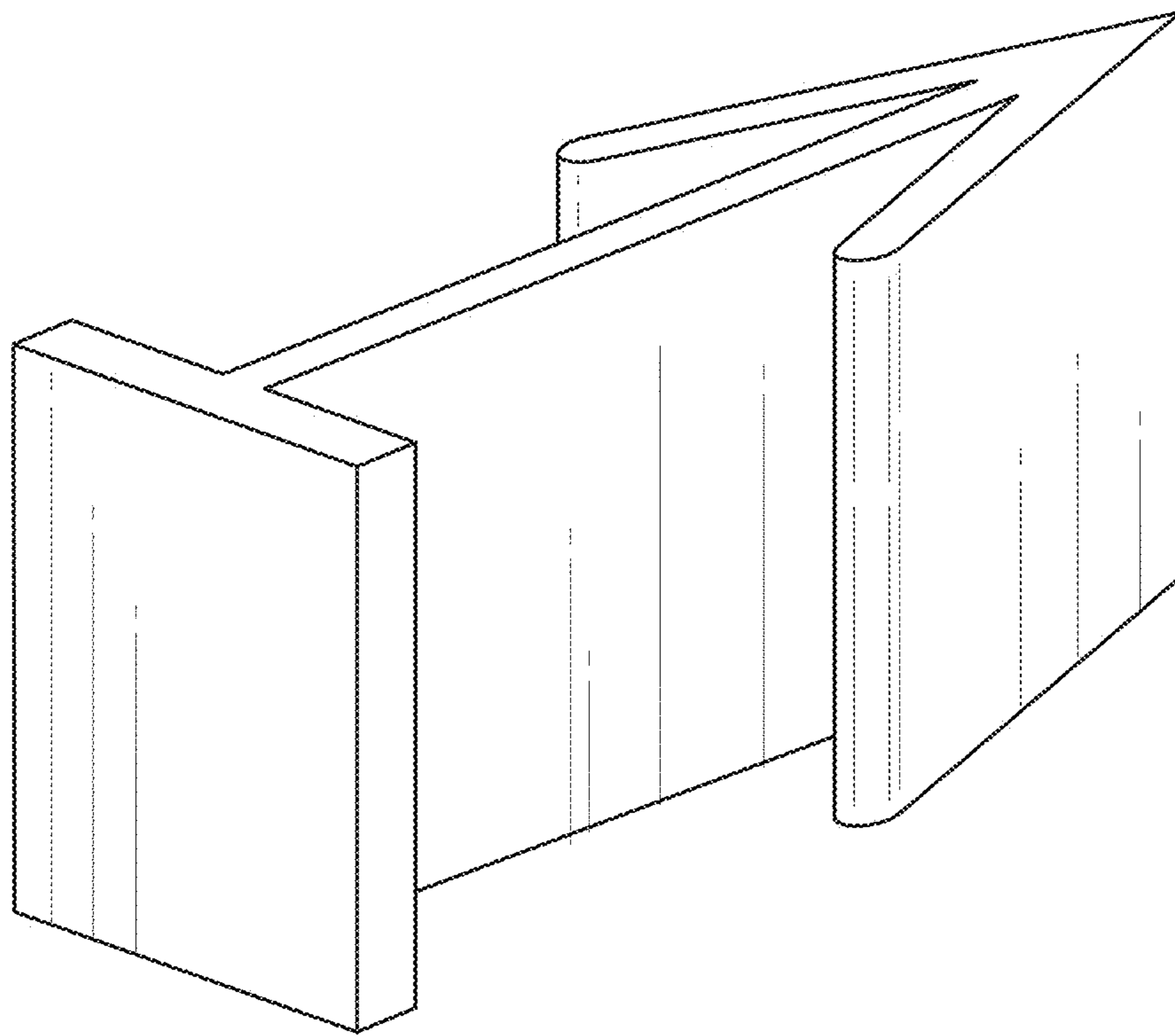


FIG. 2

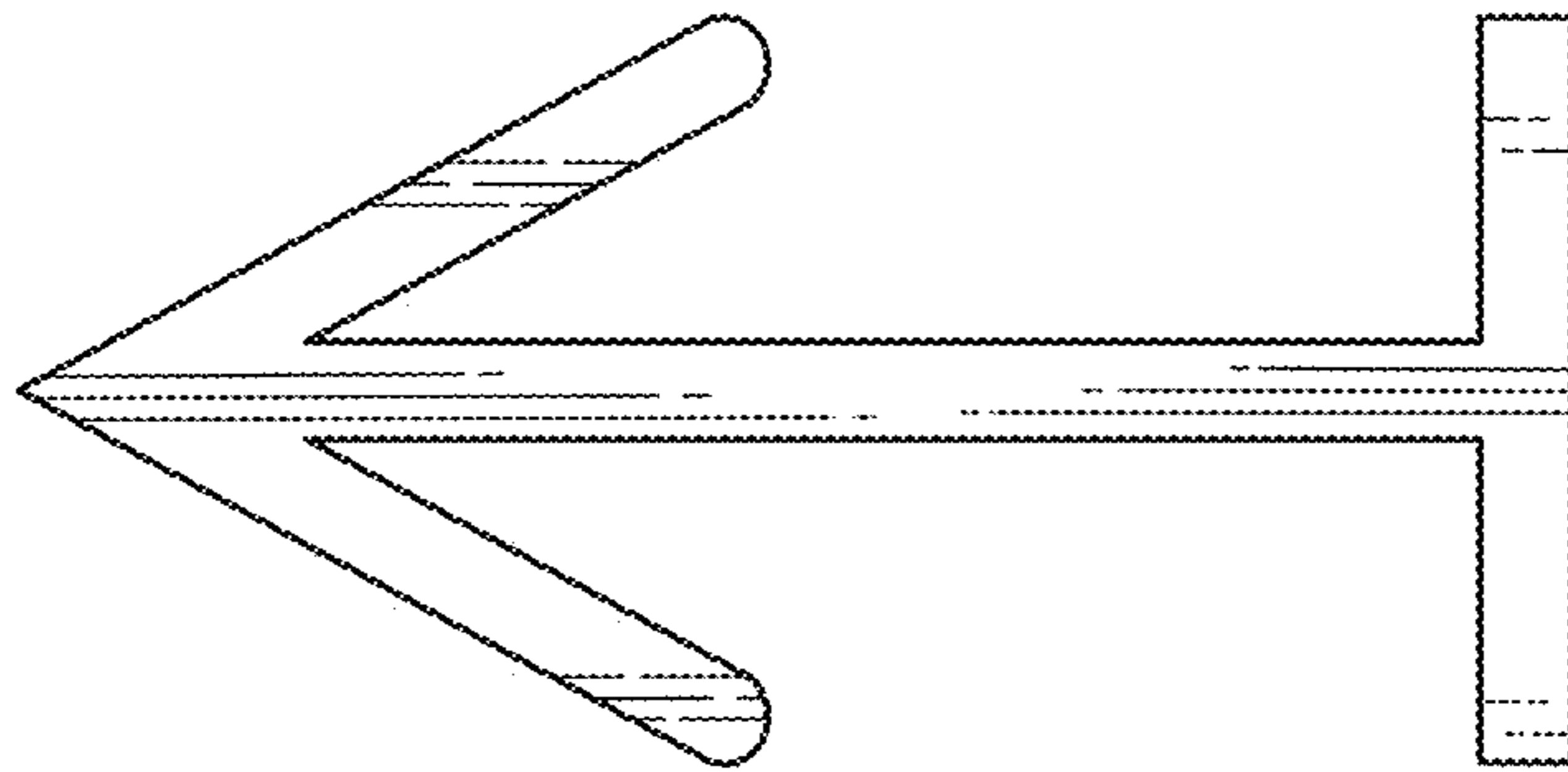


FIG. 3

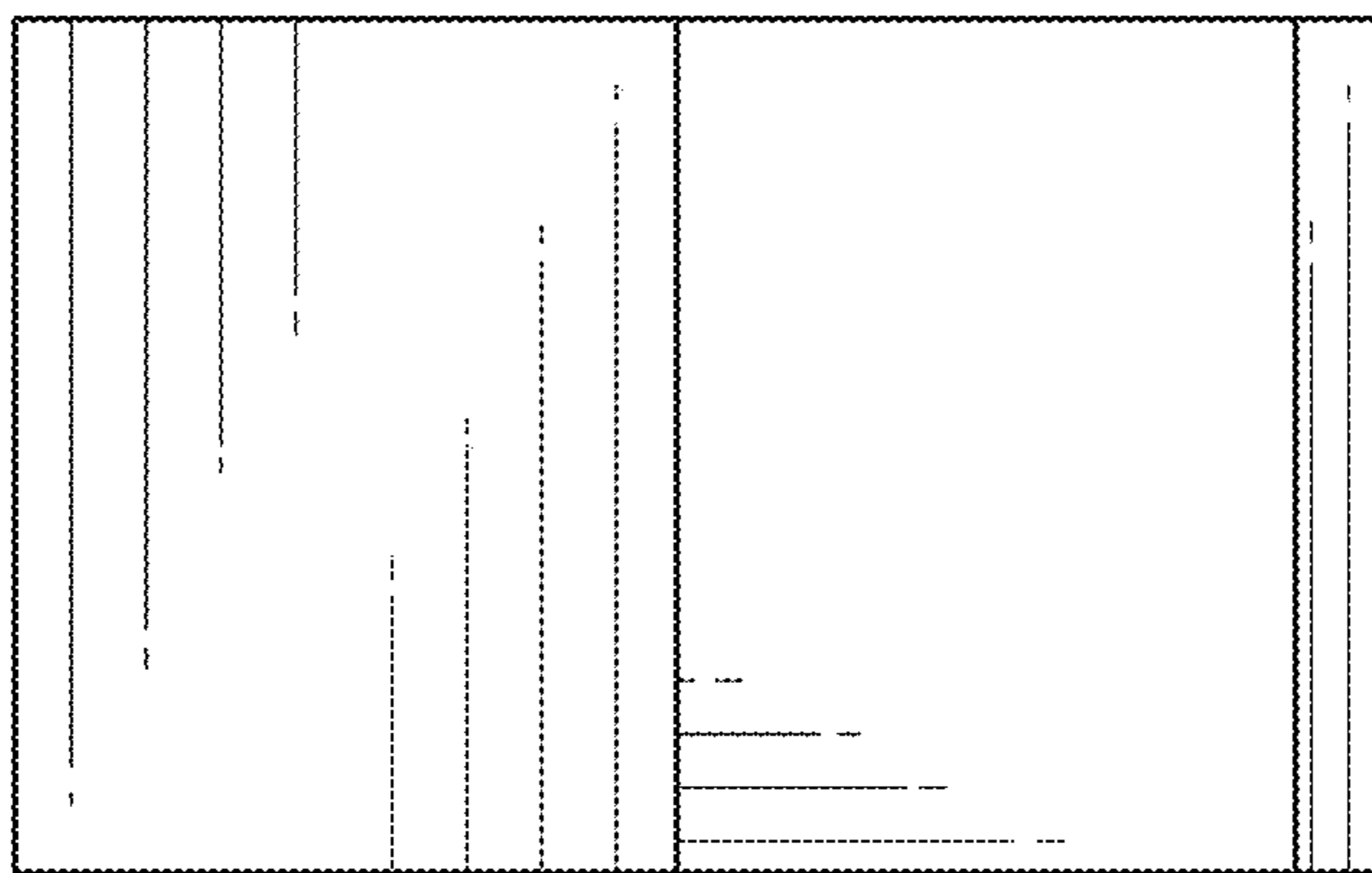


FIG. 4

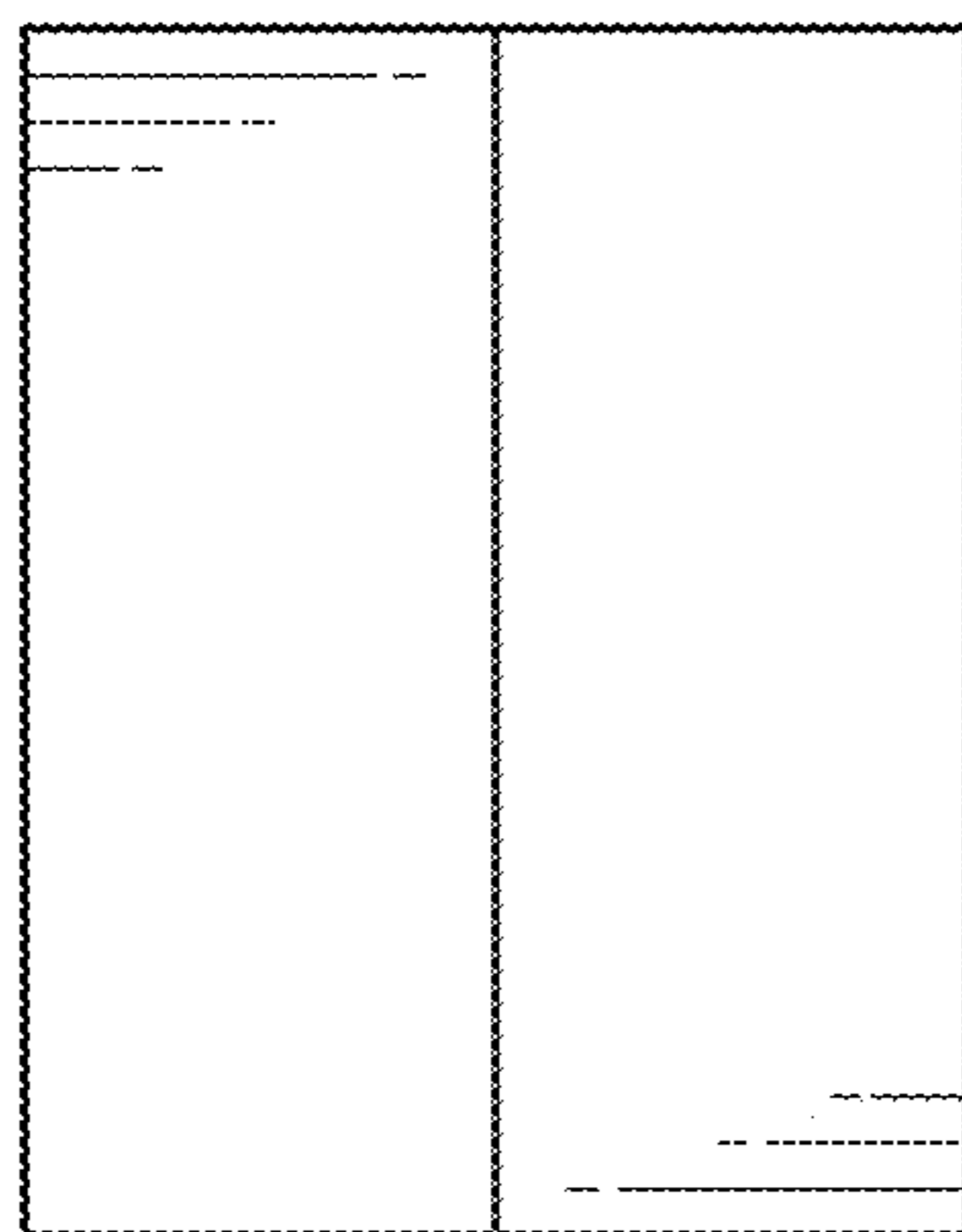


FIG. 5

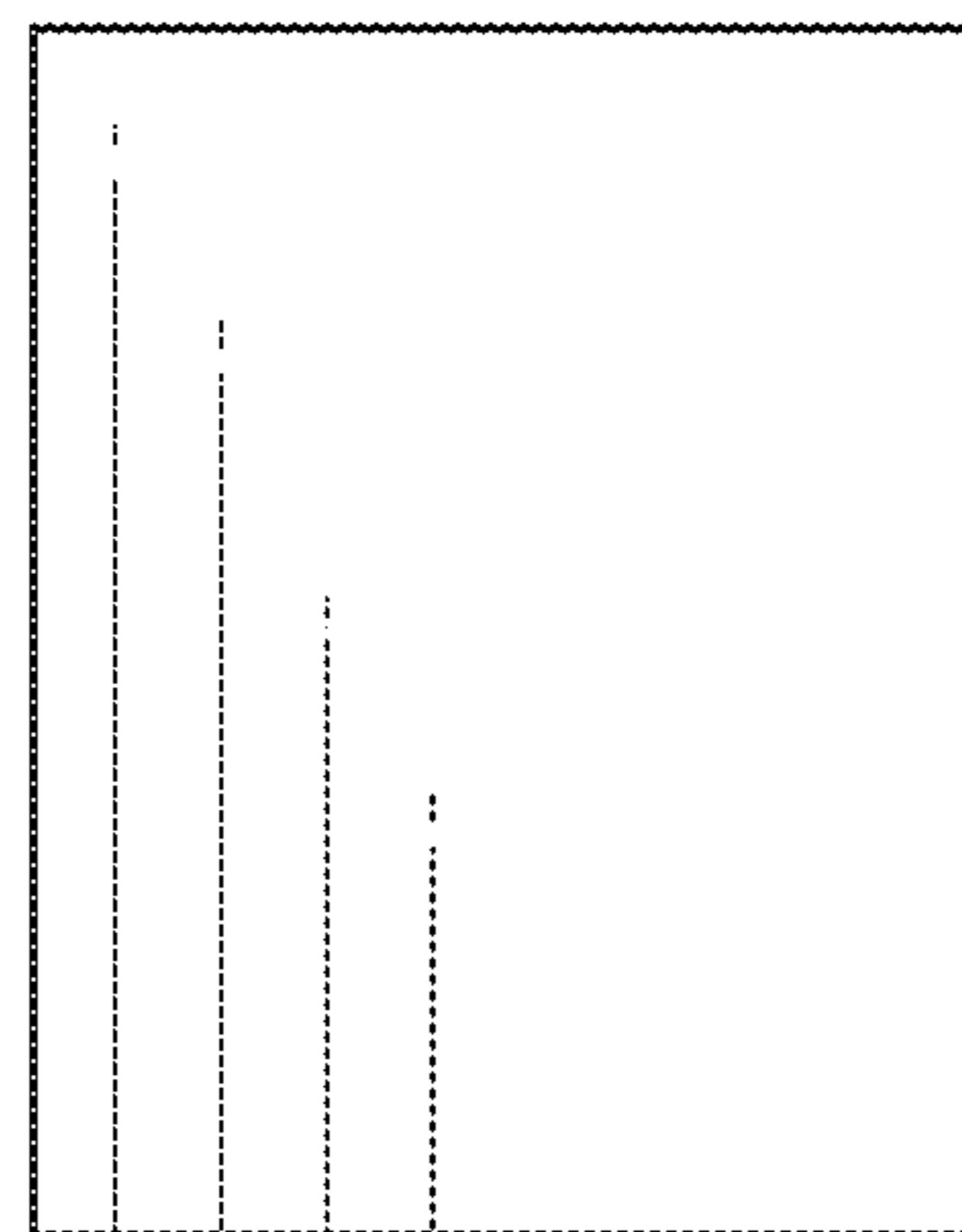


FIG. 6