



US00D918010S

(12) **United States Design Patent** (10) **Patent No.:** **US D918,010 S**
Lynn et al. (45) **Date of Patent:** **** May 4, 2021**

(54) **RESTROOM STALL DOOR LATCH
COMBINED WITH A MOBILE PHONE
HOLDER**

(71) Applicants: **John W. Lynn**, Pomona, NY (US);
Therese Valdez, Pomona, NY (US)

(72) Inventors: **John W. Lynn**, Pomona, NY (US);
Therese Valdez, Pomona, NY (US)

(**) Term: **15 Years**

(21) Appl. No.: **29/676,842**

(22) Filed: **Jan. 15, 2019**

(51) **LOC (13) Cl.** **08-07**

(52) **U.S. Cl.**
USPC **D8/331**

(58) **Field of Classification Search**
USPC D8/330, 331, 336, 338, 339, 341, 342,
D8/343; D6/553, 573; D14/432, 447,
D14/224, 251, 252
CPC Y10T 292/096; Y10T 292/03; Y10T
292/1014; Y10T 292/1022; Y10T 292/62;
Y10S 292/02; Y10S 292/54; Y10S
292/63; Y10S 292/64; A45C 11/008;
A45C 2011/002; E05B 17/00; E05B
17/22; E05B 65/0035; E05B 67/38
See application file for complete search history.

(56) **References Cited**

U.S. PATENT DOCUMENTS

- 2,627,434 A * 2/1953 Woodward E05C 3/047
292/304
- D306,929 S * 3/1990 Flowers D15/17
- D311,672 S * 10/1990 Johnson D3/215
- D321,885 S * 11/1991 Shel Drake D14/138 R
- D326,173 S * 5/1992 Newbold D34/1
- D340,622 S * 10/1993 Park D6/513
- D355,336 S * 2/1995 Dickey D7/620

- 5,603,184 A * 2/1997 Campbell E05B 15/10
292/145
- D416,908 S * 11/1999 Whisenant D13/177
- 5,984,386 A * 11/1999 Clemens E05C 19/18
292/162
- D419,350 S * 1/2000 Baron D6/553
- 6,477,872 B1 * 11/2002 Denton, Jr. E05B 67/36
70/100
- D483,939 S * 12/2003 Kountz D3/215
- D485,060 S * 1/2004 DeCotis D3/215
- D496,247 S * 9/2004 Roach D8/339
- D606,348 S * 12/2009 White D6/553
- D618,675 S * 6/2010 Thompson D14/251
- D643,659 S * 8/2011 Choi D6/553
- D667,249 S * 9/2012 London D6/553
- D684,144 S * 6/2013 Palance D14/217
- D696,657 S * 12/2013 Cohen D14/251
- 8,985,645 B2 * 3/2015 McConnell E05B 53/001
292/194
- D727,143 S * 4/2015 Gomez D14/251

(Continued)

Primary Examiner — Steven J Cxyz

(74) Attorney, Agent, or Firm — Malin Haley DiMaggio
& Bowen, P.A.

(57) **CLAIM**

The ornamental design for a restroom stall door latch combined with a mobile phone holder as shown and described, except the area enclosed in the broken line of FIG. 3 is not part of the claim.

DESCRIPTION

FIG. 1 is a front perspective view of a restroom stall door latch combined with a mobile phone holder showing our new design;

FIG. 2 is a front elevational view thereof;

FIG. 3 is a rear elevational view thereof;

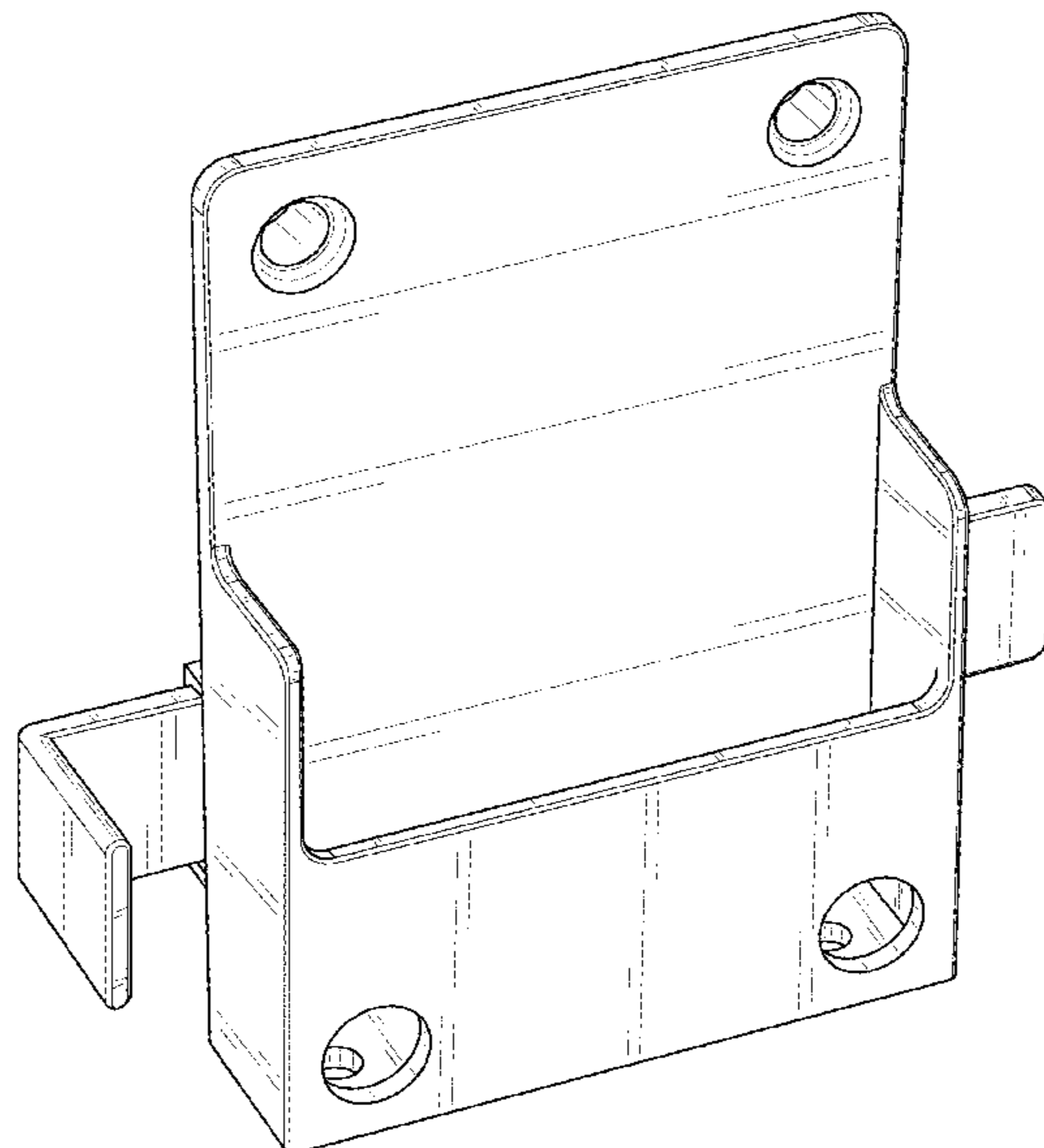
FIG. 4 is a left side elevational view thereof;

FIG. 5 is a right side elevational view thereof;

FIG. 6 is a top plan view thereof; and,

FIG. 7 is a bottom plan and view thereof.

1 Claim, 7 Drawing Sheets



(56)

References Cited

U.S. PATENT DOCUMENTS

D731,811 S * 6/2015 Jondal D6/553
D733,114 S * 6/2015 Dobben D14/251
D745,365 S * 12/2015 Dudgeon D8/334
D779,307 S * 2/2017 Nix D8/330
9,574,374 B2 * 2/2017 Klevens E05B 41/00
9,624,702 B1 * 4/2017 Faulkner E05C 19/184
9,686,390 B2 * 6/2017 Brewer H04M 1/04
9,713,374 B1 * 7/2017 Page B25H 3/00
9,752,350 B2 * 9/2017 Davis E05B 63/00
D847,800 S * 5/2019 Wengreen D14/238.1
D855,350 S * 8/2019 Holt D6/553
D878,095 S * 3/2020 Dunahay D6/553
2015/0233146 A1 * 8/2015 Klevens E05B 41/00
340/687
2018/0142497 A1 * 5/2018 Hung E05B 65/0035

* cited by examiner

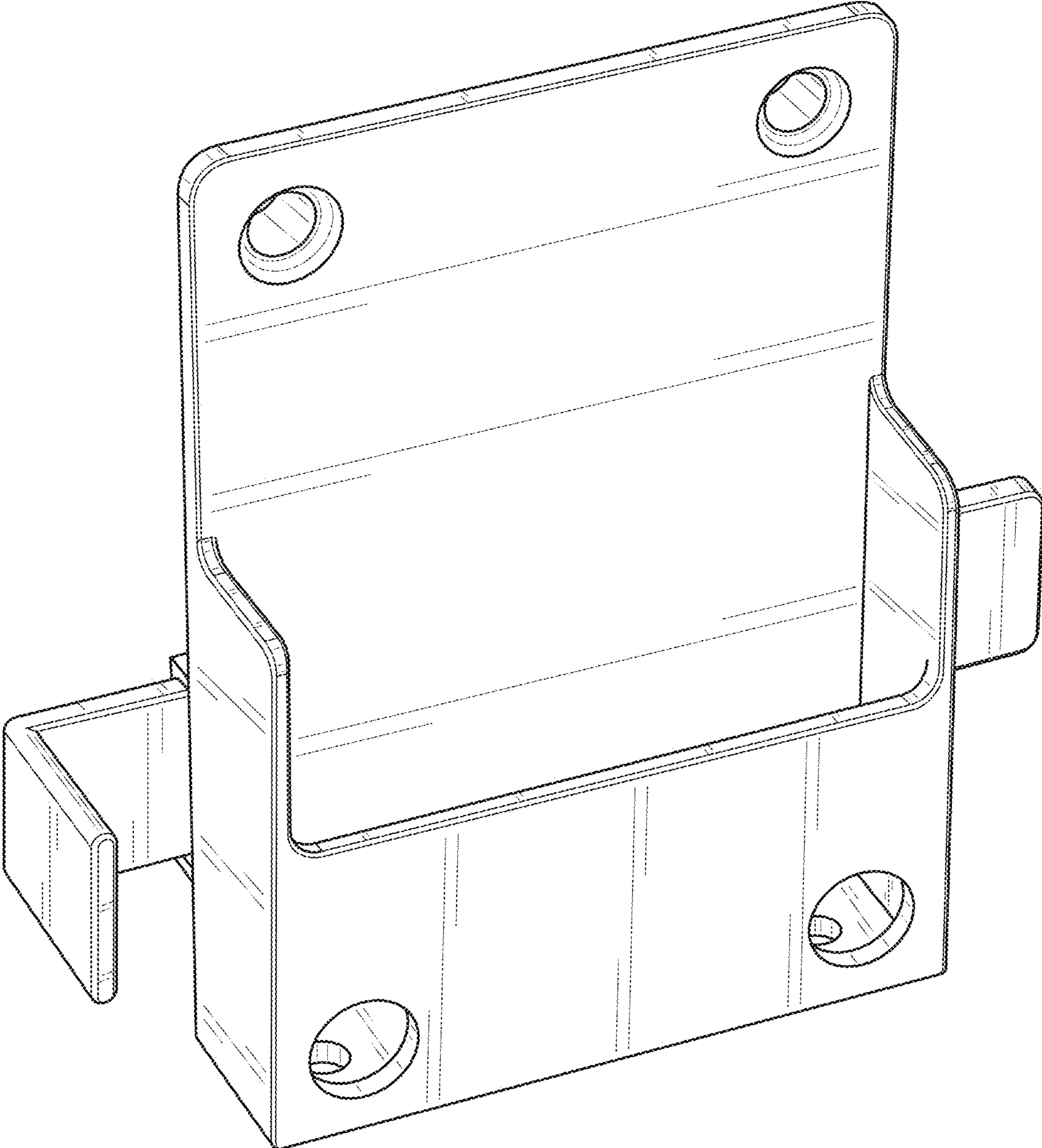


FIG. 1

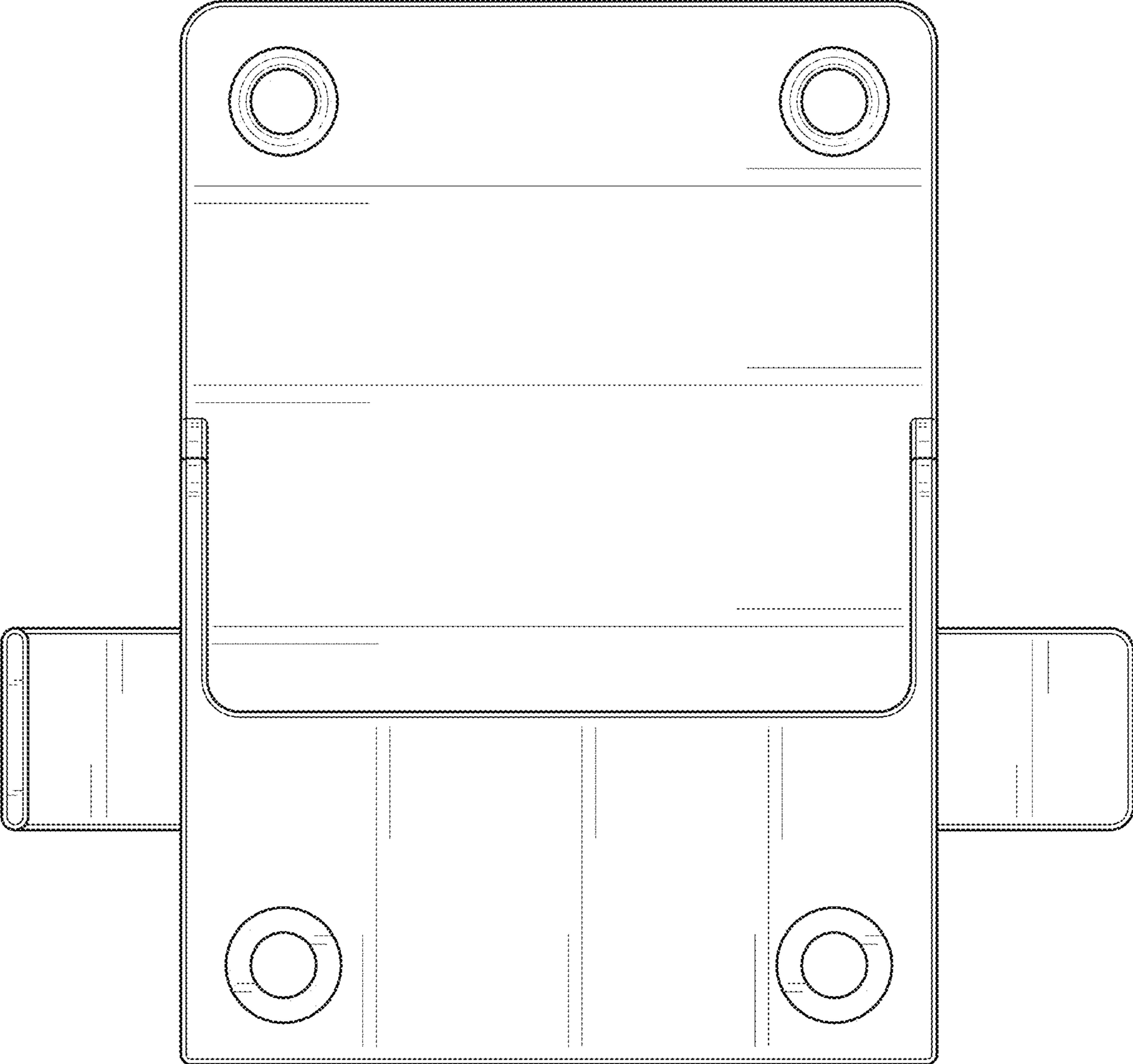


FIG. 2

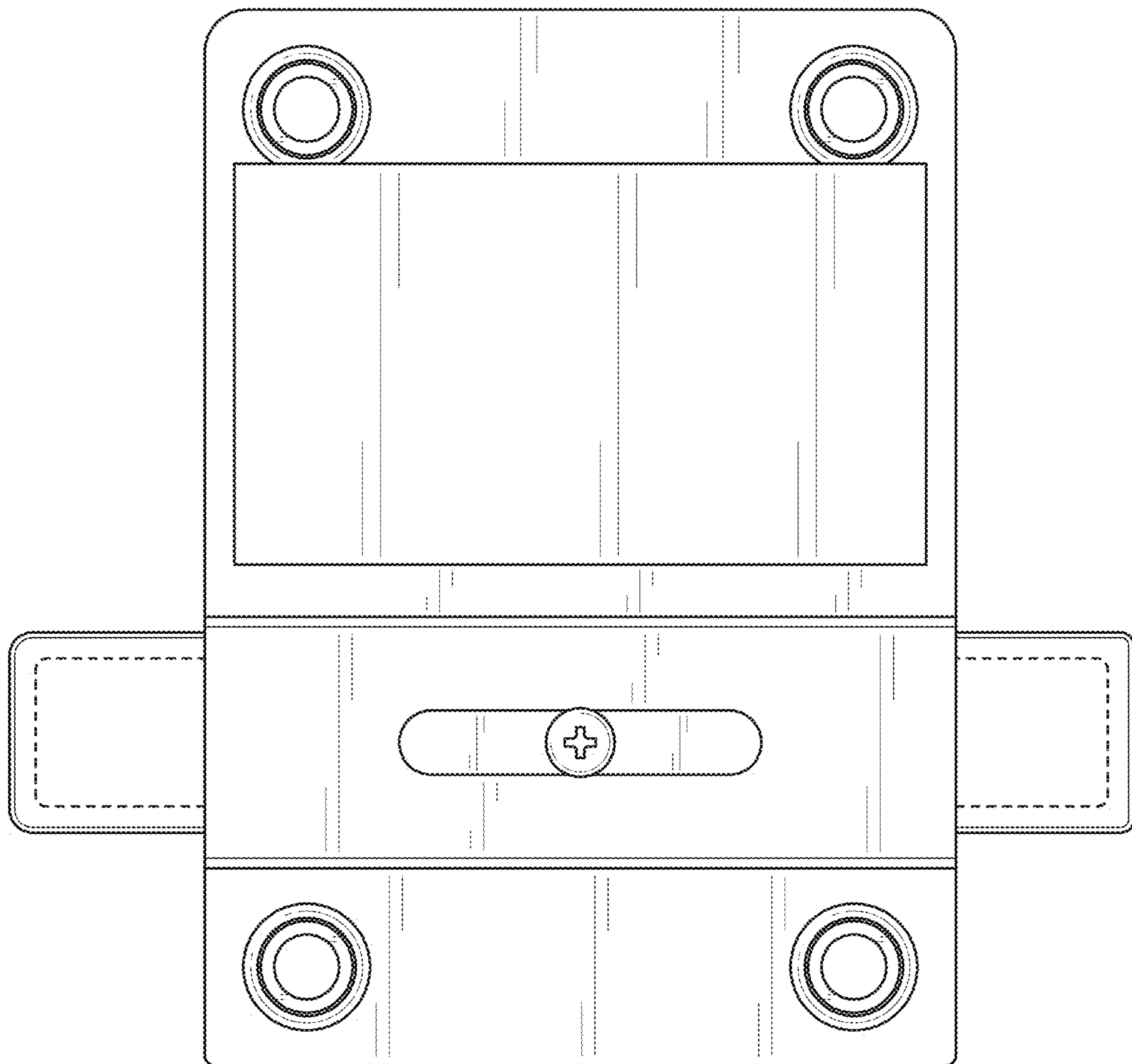


FIG. 3

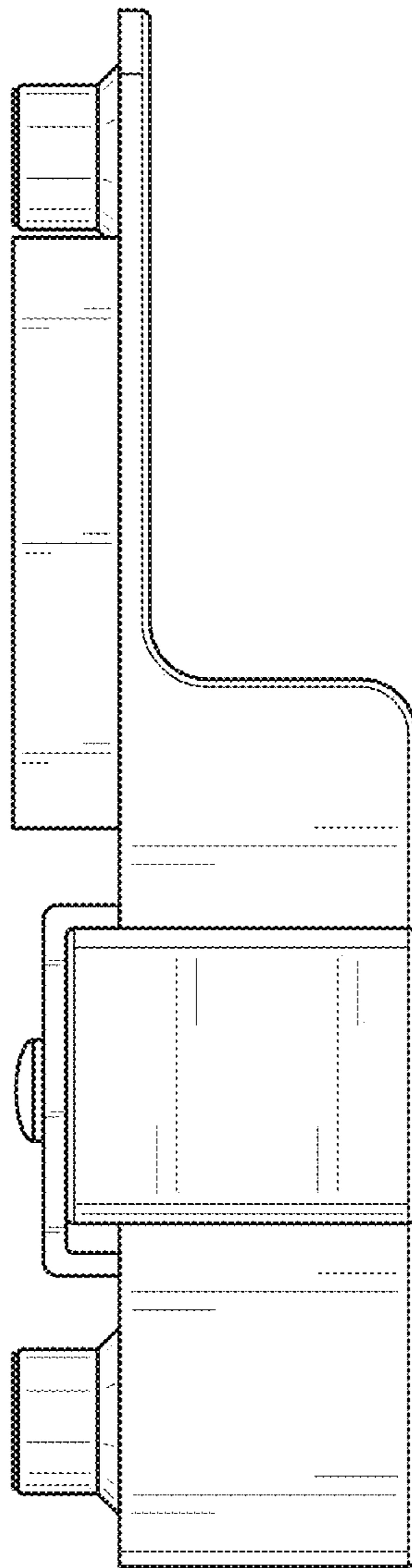


FIG. 4

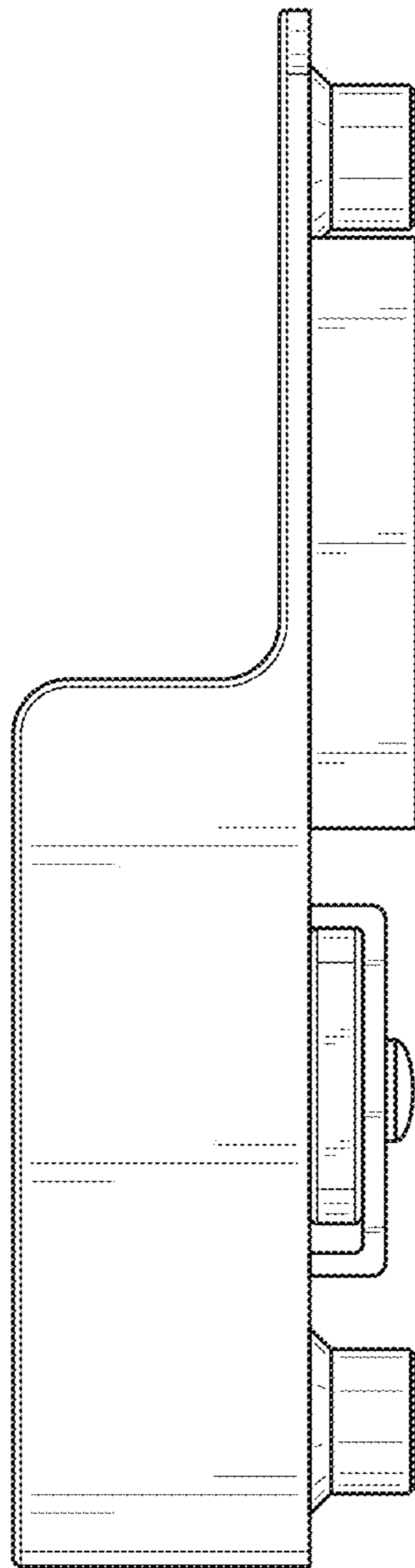


FIG. 5

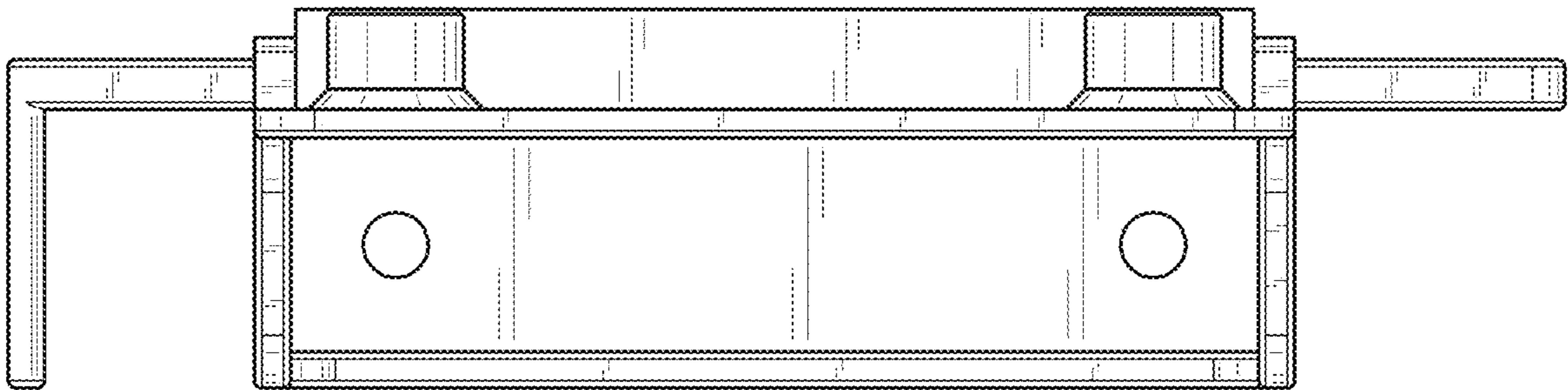


FIG. 6

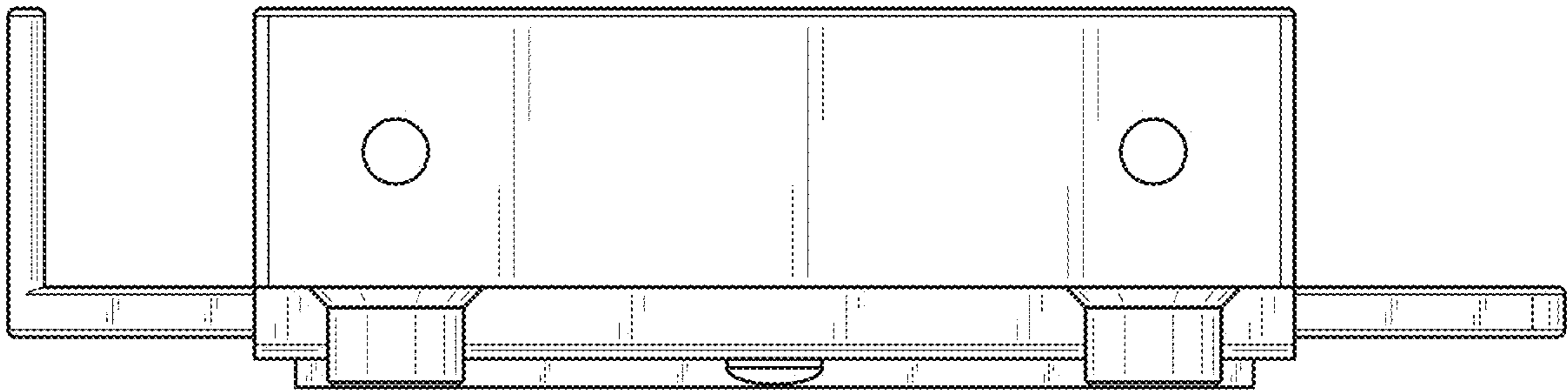


FIG. 7