



US00D918009S

(12) **United States Design Patent**
Griswold

(10) **Patent No.:** **US D918,009 S**

(45) **Date of Patent:** **** May 4, 2021**

(54) **DOOR SYSTEM**

(71) Applicant: **ASSA ABLOY Accessories and Door Controls Group, Inc.**, Monroe, NC (US)

(72) Inventor: **Lee Griswold**, Bethel, CT (US)

(73) Assignee: **ASSA ABLOY ACCESSORIES AND DOOR CONTROLS GROUP, INC.**, Monroe, NC (US)

(**) Term: **15 Years**

(21) Appl. No.: **29/719,402**

(22) Filed: **Jan. 3, 2020**

D241,512 S * 9/1976 Hiraishi et al. D8/330
D241,910 S * 10/1976 Meisner et al. D8/330
4,086,681 A * 5/1978 Nakanishi E05F 3/00
16/49

(Continued)

OTHER PUBLICATIONS

Design U.S. Appl. No. 29/638,858, filed Mar. 1, 2018.
ASSA Abloy Accessories and Door Controls Group, Inc., Canadian Application No. 183348, Examination Report, dated May 9, 2019.

Primary Examiner — Steven J Czyn

(74) *Attorney, Agent, or Firm* — Moore & Van Allen PLLC; Jeffrey R. Gray

(57) **CLAIM**

I claim the ornamental designs for a door system, as shown and described.

DESCRIPTION

Related U.S. Application Data

(63) Continuation-in-part of application No. 29/388,849, filed on Mar. 1, 2018, now abandoned.

(51) **LOC (13) Cl.** **08-07**

(52) **U.S. Cl.**
USPC **D8/330**

(58) **Field of Classification Search**
USPC D8/330, 331, 336, 338, 339, 343, 344, D8/346
CPC E05F 3/00; E05F 3/02; E05F 3/102; E05F 3/10; E05F 3/22; E05F 3/04; E05F 3/221; E05F 3/225; E05F 3/227
See application file for complete search history.

FIG. 1 is a front view showing an embodiment of a door system;

FIG. 2 is a back view of the door system thereof;

FIG. 3 is a top view of the door system thereof;

FIG. 4 is a bottom view of the door system thereof;

FIG. 5 is a left side view of the door system thereof;

FIG. 6 is a right side view of the door system thereof;

FIG. 7 is a top perspective view of the door system thereof; and,

FIG. 8 is a bottom perspective view of the door system thereof.

The door system is shown with symbolic breaks in its length. The appearance of any portion of the article between the break lines forms no part of the claimed design.

The broken lines depict portions of the article that form no part of the claimed design.

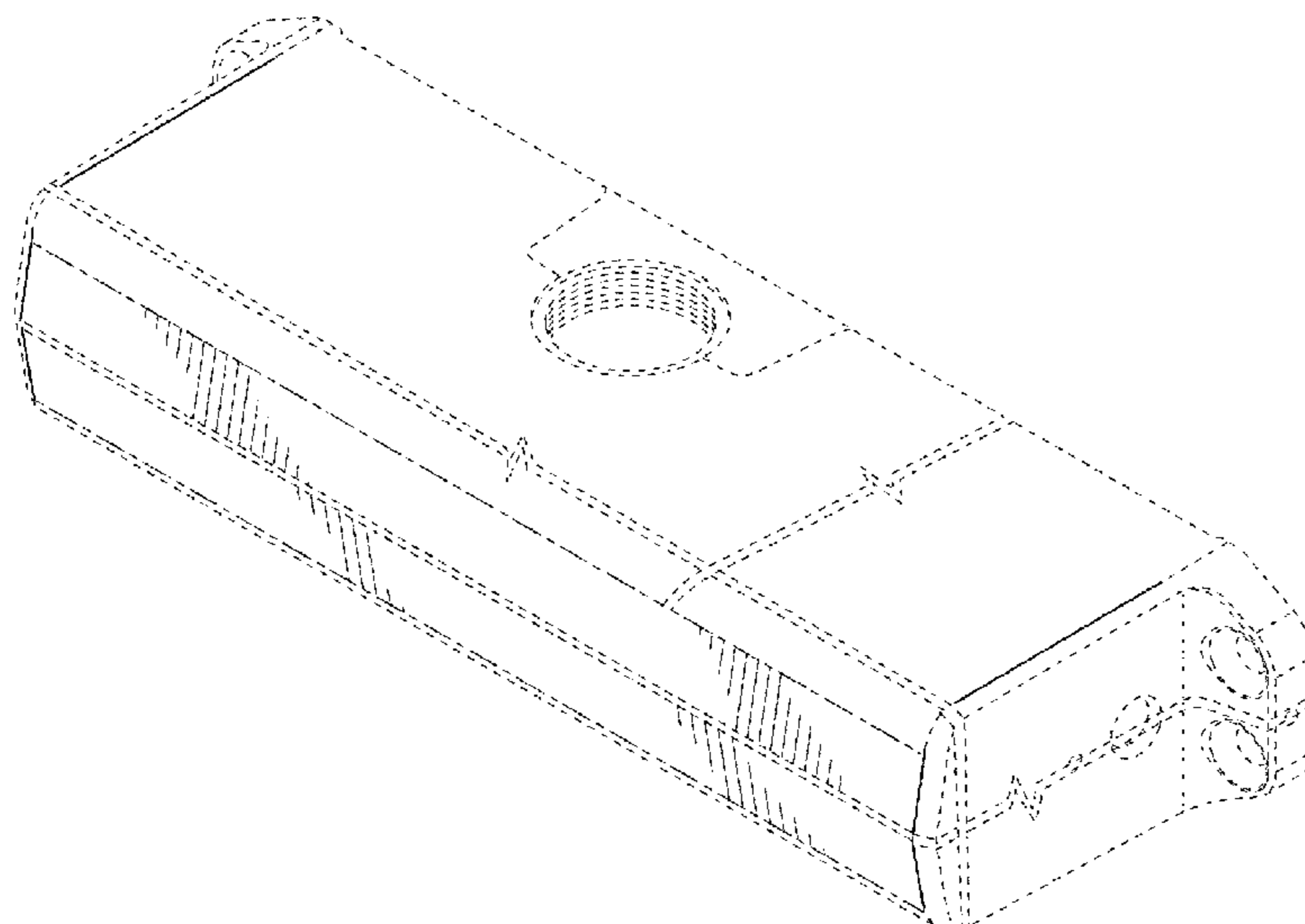
In the drawings, the evenly-spaced broken lines depict portions of the article that form no part of the claimed design; the dash-dot-dash lines represent the boundary of the claimed design and forms no part thereof.

(56) **References Cited**

U.S. PATENT DOCUMENTS

2,994,906 A * 8/1961 Check E05F 3/102
16/51
3,188,682 A * 6/1965 Check E05F 3/227
16/49
D234,938 S * 4/1975 Guerrero et al. D8/330
D241,003 S * 8/1976 Meisner et al. D8/330

1 Claim, 3 Drawing Sheets



(56)

References Cited

U.S. PATENT DOCUMENTS

4,286,412 A * 9/1981 Stevens E05C 17/28
 292/270
 D261,099 S * 10/1981 Russell D8/330
 D271,277 S * 11/1983 Okazaki D8/330
 D271,845 S * 12/1983 Matsuo D8/330
 4,419,786 A * 12/1983 Surko, Jr. E05F 3/22
 16/51
 D273,457 S * 4/1984 Matsuo D8/330
 D295,254 S * 4/1988 Matsuo D8/330
 4,837,890 A * 6/1989 Tully E05C 17/28
 16/71
 D364,081 S * 11/1995 Yates D8/330
 5,511,284 A * 4/1996 Current E05C 17/28
 16/49
 D413,055 S * 8/1999 Mullet D8/330
 D416,779 S * 11/1999 Trumpinski D8/330
 D421,561 S * 3/2000 Fenwick D8/330
 D422,195 S * 4/2000 Tonozzi D8/330
 D424,404 S * 5/2000 Jensen D8/330
 D428,793 S * 8/2000 Bruno D8/330
 D429,992 S * 8/2000 Ginzel D8/330
 D438,088 S * 2/2001 Tomlinson D8/330
 D439,131 S * 3/2001 Bruno D8/330
 6,205,615 B1 * 3/2001 Jensen E05F 3/00
 16/49
 D578,862 S * 10/2008 James D8/330

D587,092 S * 2/2009 Kaluza D8/330
 D589,781 S * 4/2009 Lee D8/330
 D638,686 S * 5/2011 Gordon D8/339
 7,971,316 B2 * 7/2011 Copeland, II E05F 3/18
 16/79
 D647,780 S * 11/2011 Kaluza D8/330
 D658,033 S * 4/2012 Kaluza D8/330
 D658,034 S * 4/2012 Kaluza D8/330
 D658,035 S * 4/2012 Kaluza D8/330
 D669,333 S * 10/2012 Tien D8/330
 D669,334 S * 10/2012 Tien D8/330
 D669,335 S * 10/2012 Tien D8/330
 D669,336 S * 10/2012 Tien D8/330
 D669,337 S * 10/2012 Tien D8/330
 D669,338 S * 10/2012 Tien D8/330
 8,499,495 B2 * 8/2013 Houser E05F 15/63
 49/340
 8,739,468 B2 * 6/2014 Yamaguchi E05F 3/106
 49/379
 9,121,211 B1 * 9/2015 White E05F 3/18
 D740,643 S * 10/2015 Watson D8/330
 D804,930 S * 12/2017 Heitz D8/330
 D804,931 S * 12/2017 Heitz D8/330
 D816,461 S * 5/2018 Heitz D8/330
 D818,344 S * 5/2018 Heitz D8/330
 D850,885 S * 6/2019 Ronge D8/330
 2014/0259927 A1 * 9/2014 McNally, II E05F 15/70
 49/13

* cited by examiner

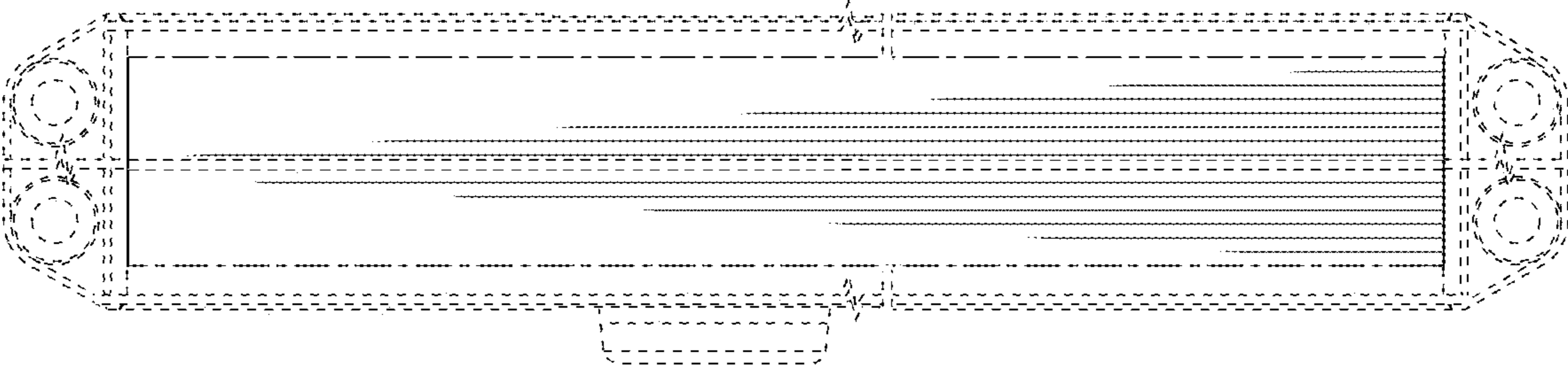


FIG. 1

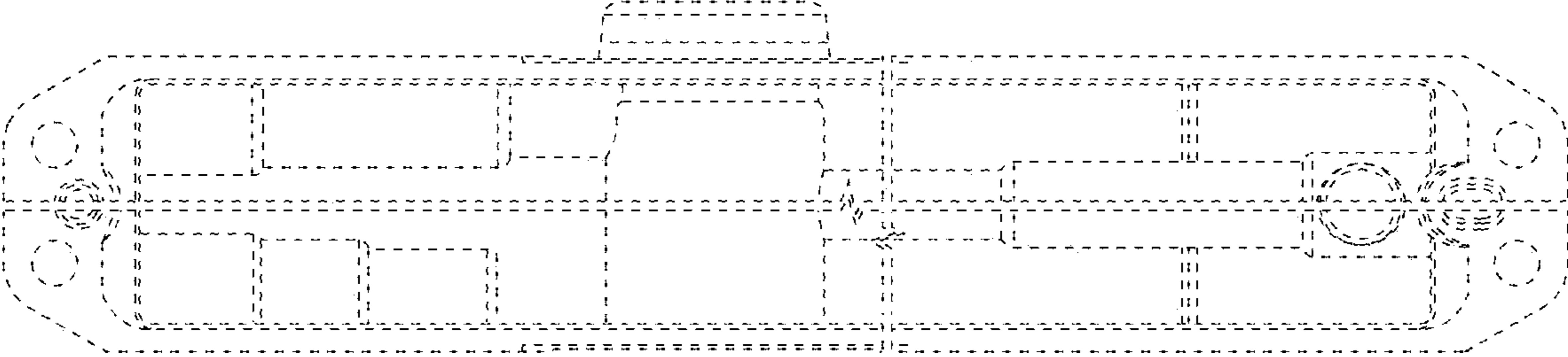


FIG. 2

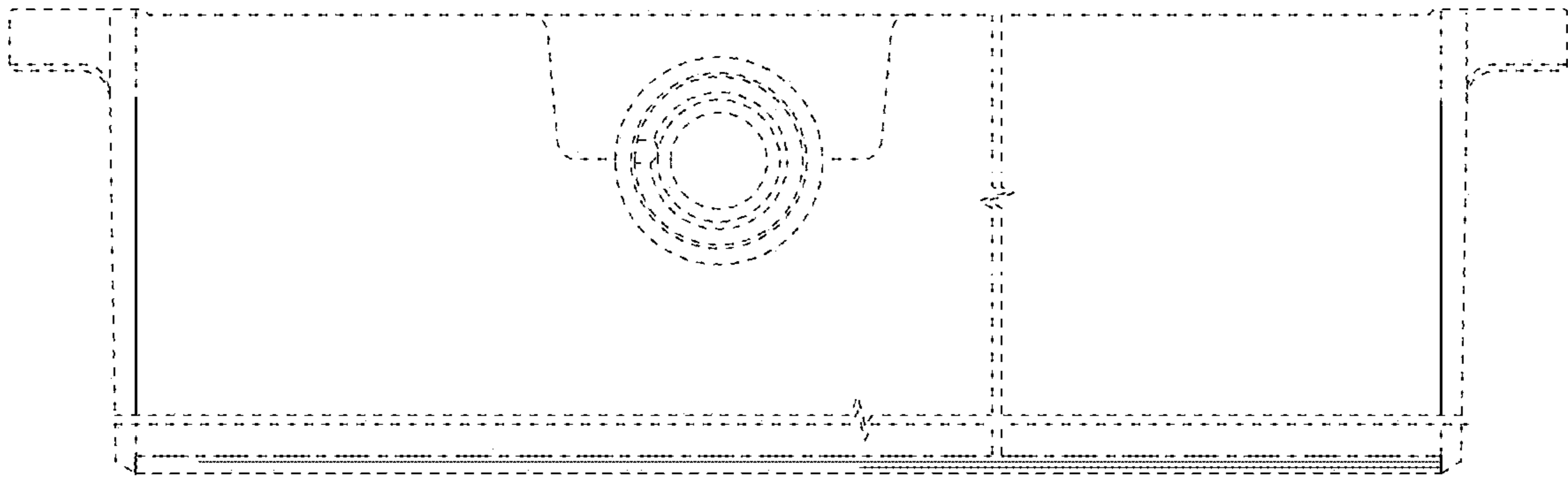


FIG. 3

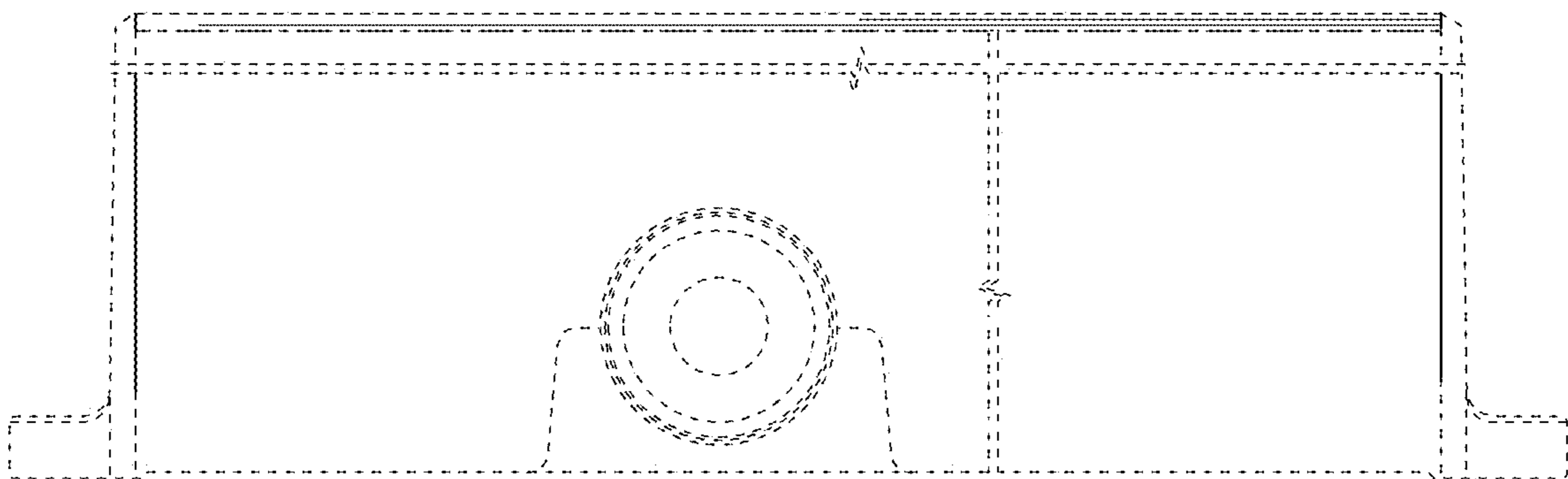


FIG. 4

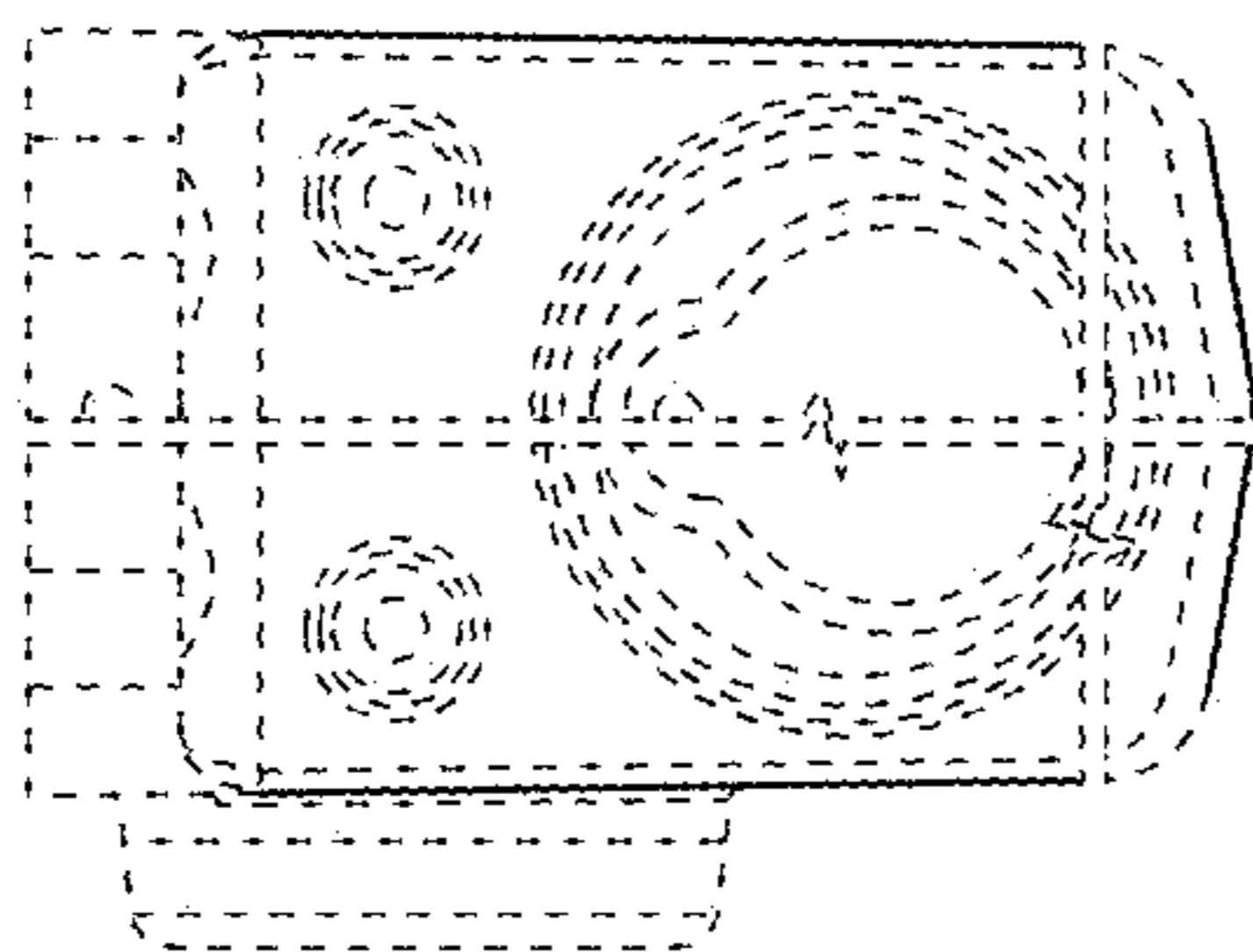


FIG. 5

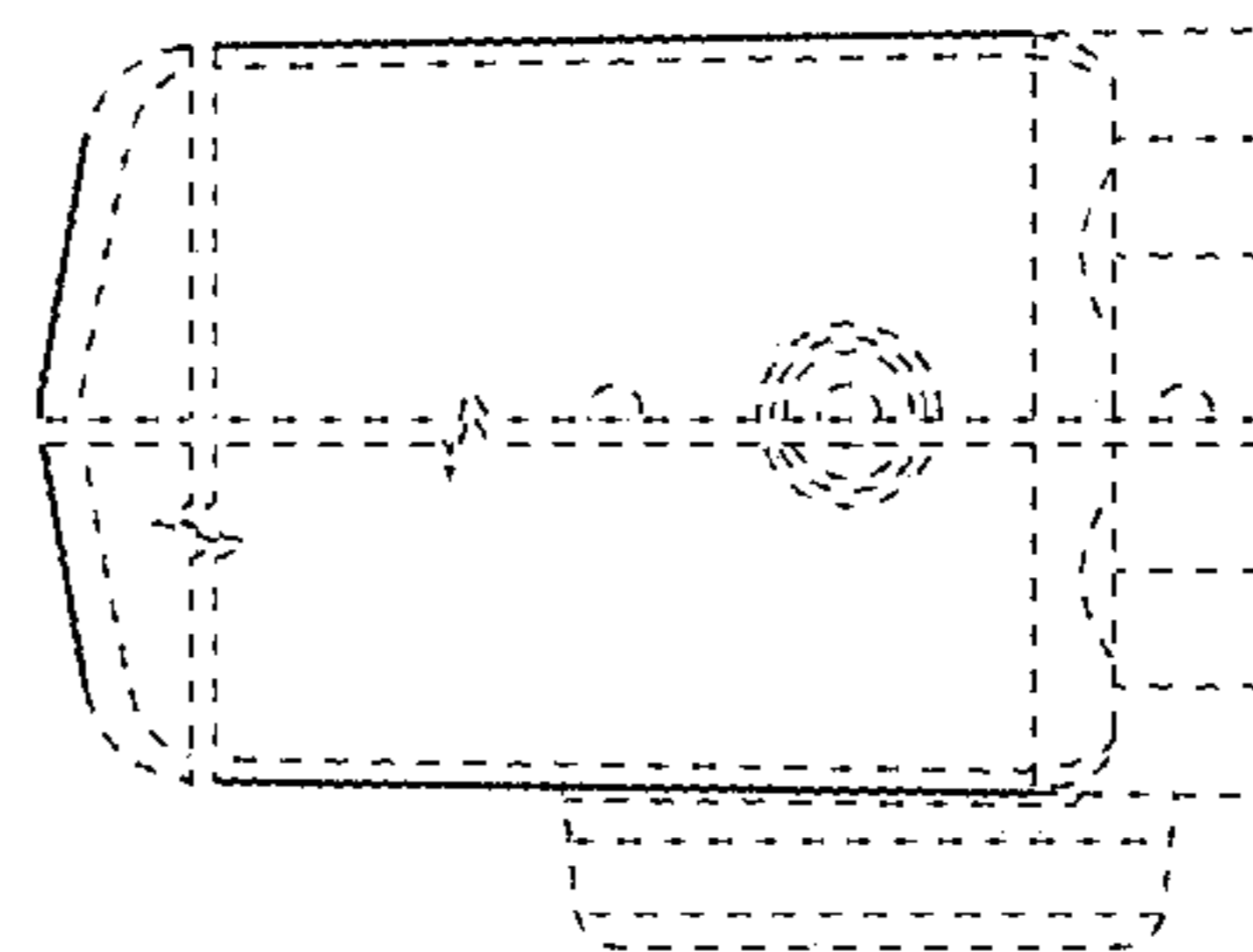


FIG. 6

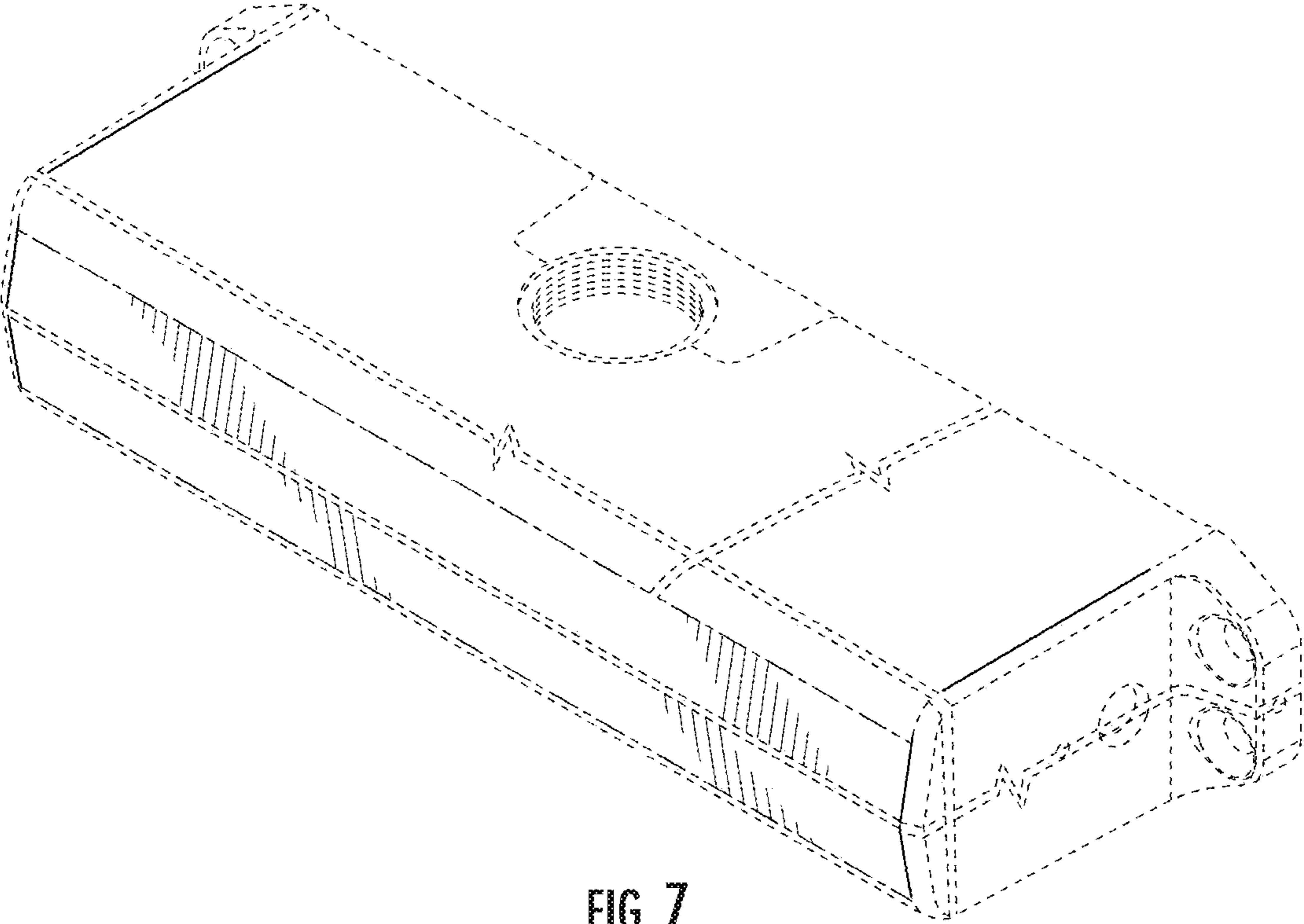


FIG. 7

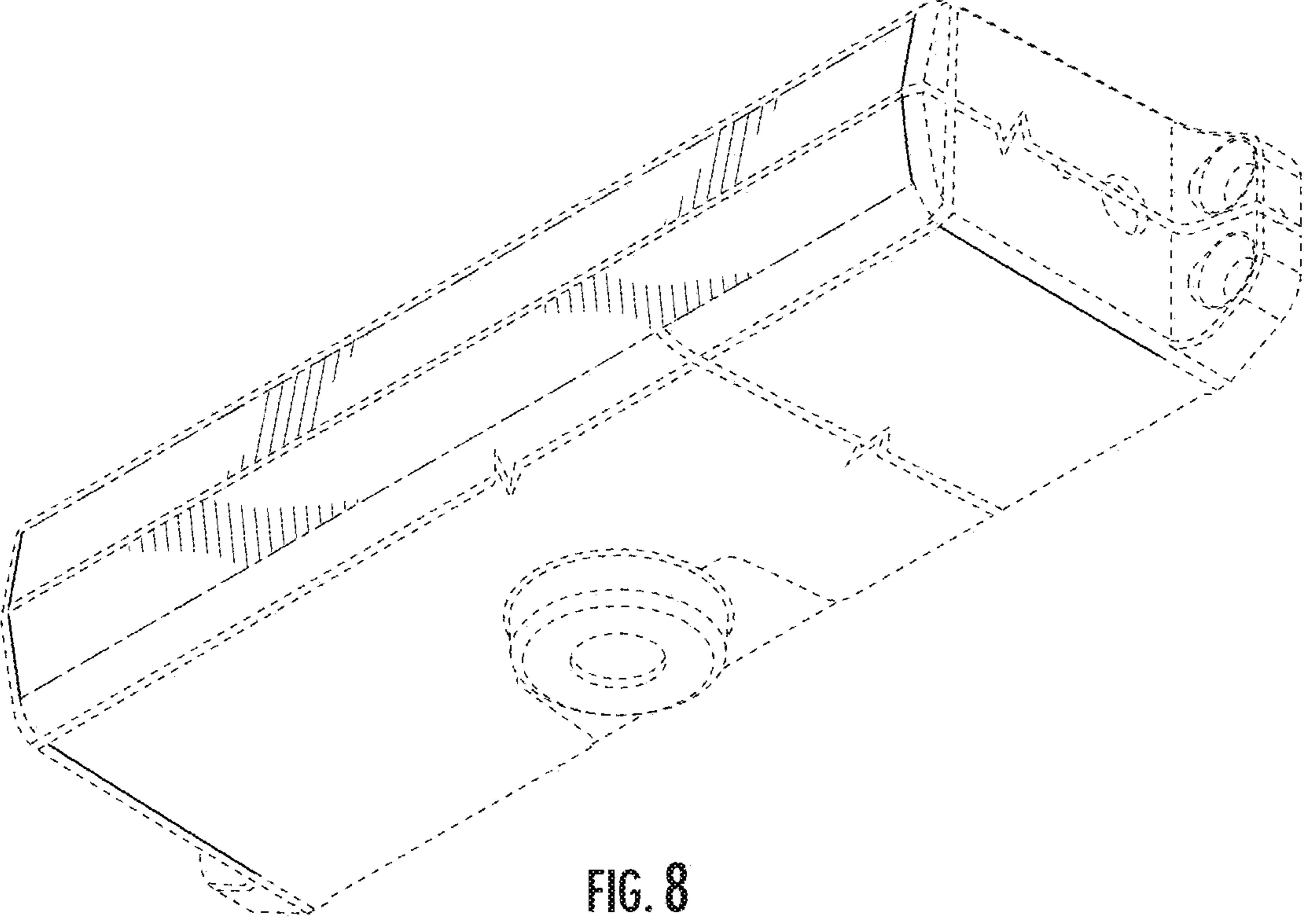


FIG. 8

UNITED STATES PATENT AND TRADEMARK OFFICE
CERTIFICATE OF CORRECTION

PATENT NO. : D918,009 S
APPLICATION NO. : 29/719402
DATED : May 4, 2021
INVENTOR(S) : Lee Griswold

Page 1 of 1

It is certified that error appears in the above-identified patent and that said Letters Patent is hereby corrected as shown below:

On the Title Page

Change item (63) Related U.S. Application Data to:
Continuation-in-part of application No. 29/638,849, filed on Mar. 1, 2018, now abandoned.

Signed and Sealed this
Seventeenth Day of August, 2021



Drew Hirshfeld
*Performing the Functions and Duties of the
Under Secretary of Commerce for Intellectual Property and
Director of the United States Patent and Trademark Office*