



US00D918008S

(12) **United States Design Patent**  
**Suh et al.**

(10) **Patent No.:** **US D918,008 S**

(45) **Date of Patent:** **\*\* May 4, 2021**

(54) **HINGE FOR FOLDABLE CONTAINER**

(71) Applicant: **KOREA PALLET POOL Co., LTD,**  
Seoul (KR)

(72) Inventors: **Byong Yoon Suh**, Seoul (KR); **Yong Jun Lee**, Cheonan-si (KR); **Shin Joon Kang**, Osan-si (KR); **Nu Ree Lee**, Seoul (KR)

(73) Assignee: **KOREA PALLET POOL CO., LTD.,**  
Seoul (KR)

(\*\*) Term: **15 Years**

(21) Appl. No.: **29/720,049**

(22) Filed: **Jan. 9, 2020**

(30) **Foreign Application Priority Data**

Jul. 9, 2019 (KR) ..... 30-2019-0032869

(51) **LOC (13) Cl.** ..... **08-06**

(52) **U.S. Cl.**  
USPC ..... **D8/323**

(58) **Field of Classification Search**  
USPC ..... D8/323, 327, 328, 329; 16/250, 251  
CPC .. E05D 1/00; E05D 11/06; E05D 5/11; E05D  
3/02; E05D 1/02; E05D 11/082; E05D  
5/12; A47K 13/12  
See application file for complete search history.

(56) **References Cited**

**U.S. PATENT DOCUMENTS**

D30,721 S \* 5/1899 Decker ..... D8/323  
D293,003 S \* 12/1987 Larkin ..... D12/217

D498,136 S \* 11/2004 Parker ..... D8/323  
D563,199 S \* 3/2008 Liao ..... D8/323  
D639,634 S \* 6/2011 Arai ..... D8/323  
D652,286 S \* 1/2012 Mair ..... D8/356  
D661,174 S \* 6/2012 Ogawa ..... D8/323  
8,477,505 B2 \* 7/2013 Samuels ..... G06F 1/1632  
361/728  
D705,640 S \* 5/2014 Wiese ..... D8/323  
D777,554 S \* 1/2017 Elbaz ..... D8/323  
D782,273 S \* 3/2017 Cramer-Kelly ..... D8/323  
D789,767 S \* 6/2017 Lu ..... D8/323  
D829,530 S \* 10/2018 Johnston ..... D8/323  
D834,915 S \* 12/2018 Boyce ..... A63B 67/06  
D8/323  
10,626,651 B2 \* 4/2020 Chang ..... E05F 3/20  
D890,748 S \* 7/2020 Lin ..... D14/327  
2004/0137970 A1 \* 7/2004 Han ..... H04M 1/0216  
455/575.3

\* cited by examiner

*Primary Examiner* — Cynthia R Underwood

(74) *Attorney, Agent, or Firm* — Rabin & Berdo, P.C.

(57) **CLAIM**

The ornamental design for a hinge for foldable container, as shown and described.

**DESCRIPTION**

FIG. 1 is a perspective view of a hinge for foldable container showing my new design;  
FIG. 2 is a front elevational view thereof;  
FIG. 3 is a rear elevational view thereof;  
FIG. 4 is a left side elevational view thereof;  
FIG. 5 is a right side elevational view thereof;  
FIG. 6 is a top plan view thereof;  
FIG. 7 is a bottom plan view thereof; and,  
FIG. 8 is an exploded perspective view thereof.

**1 Claim, 5 Drawing Sheets**

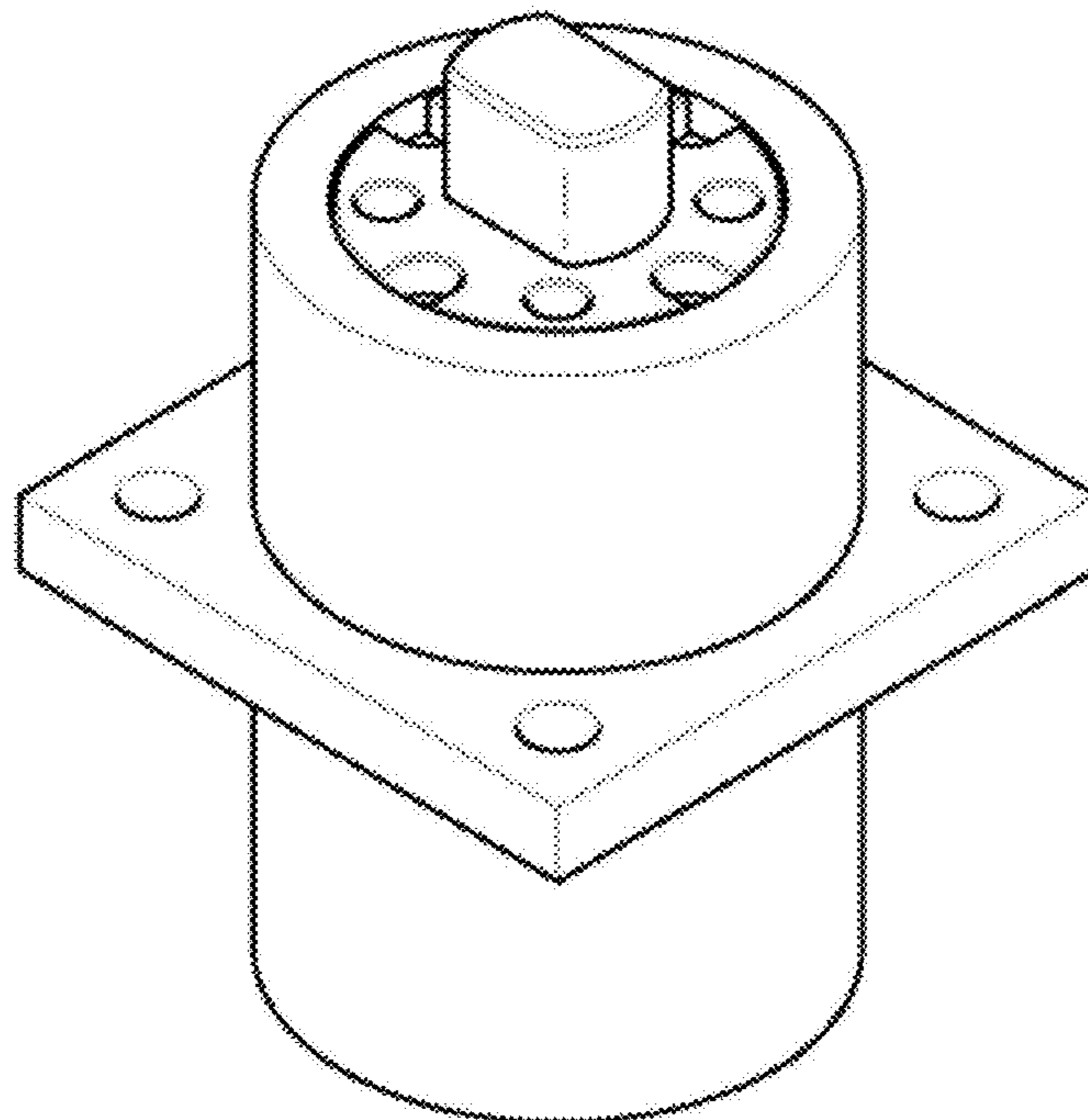


FIG. 1

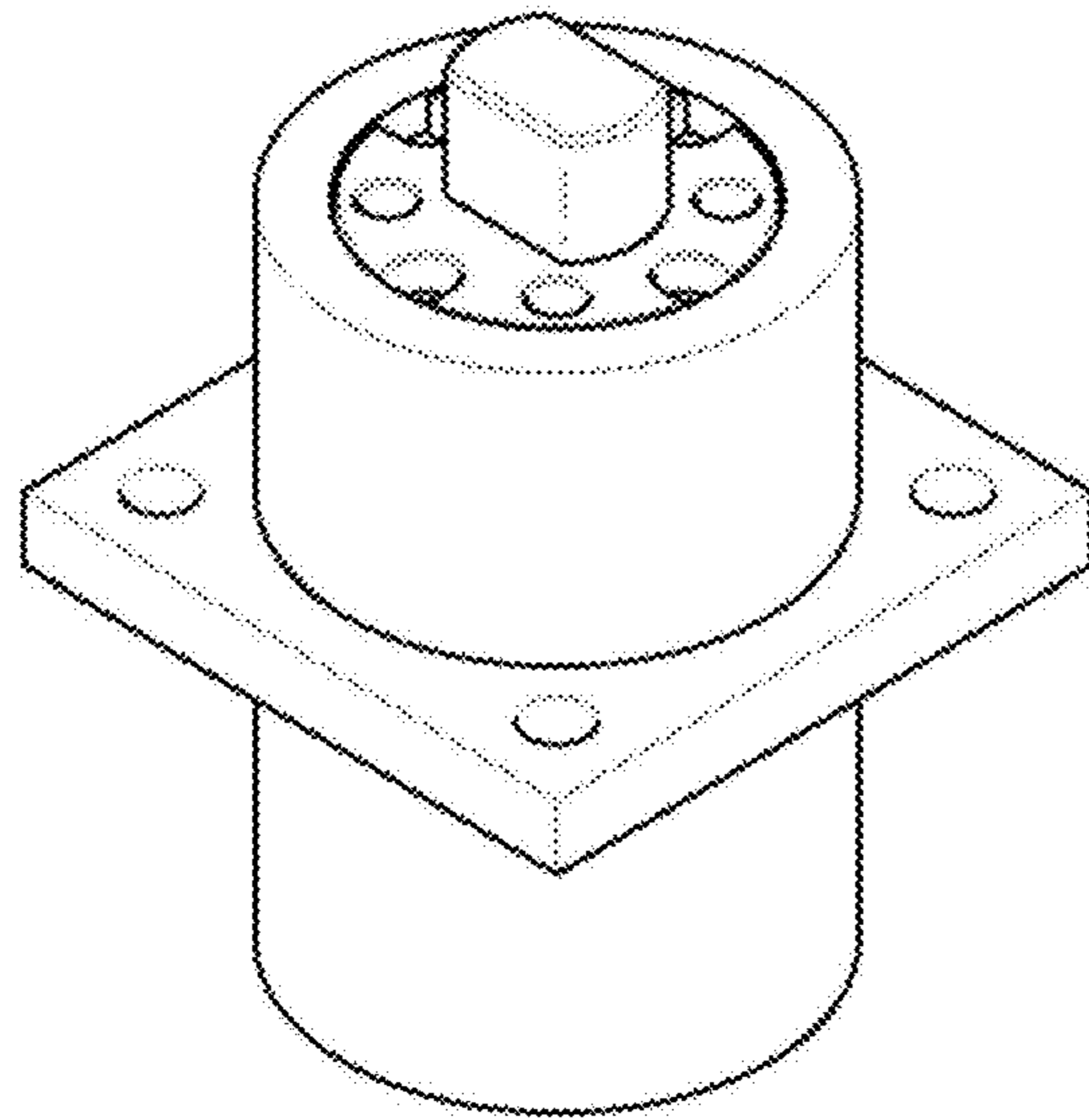


FIG. 2

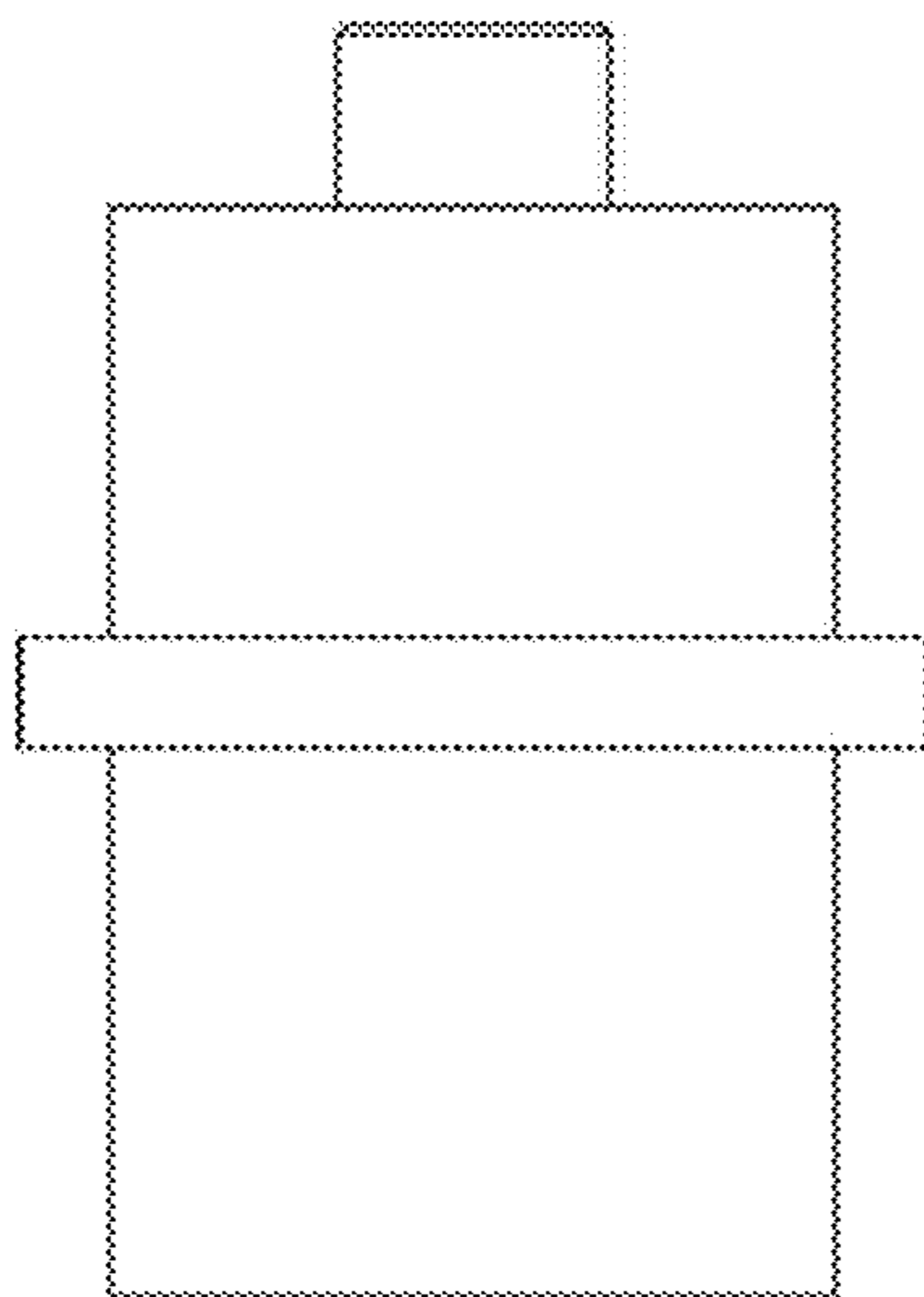


FIG. 3

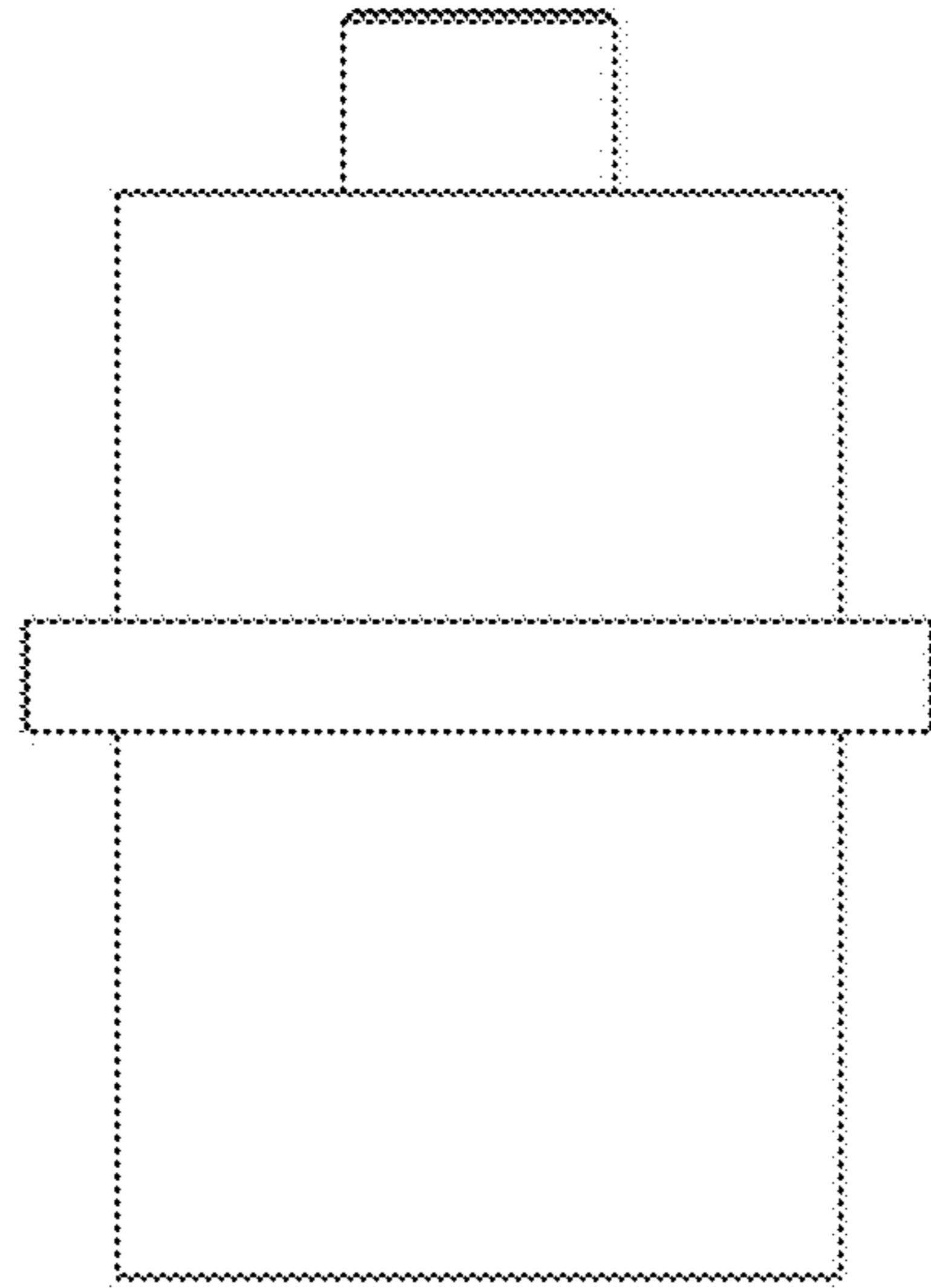
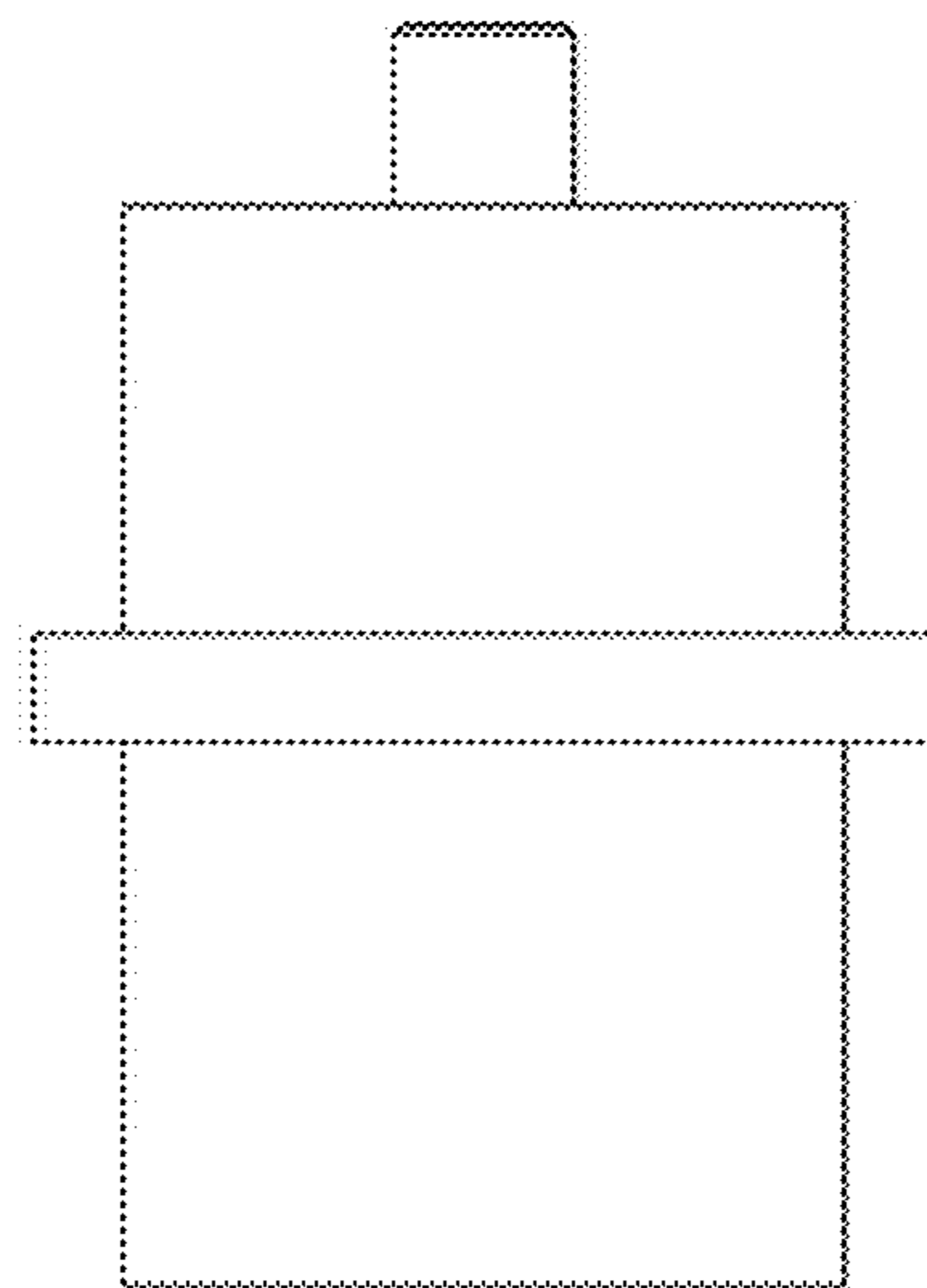


FIG. 4



**FIG. 5**

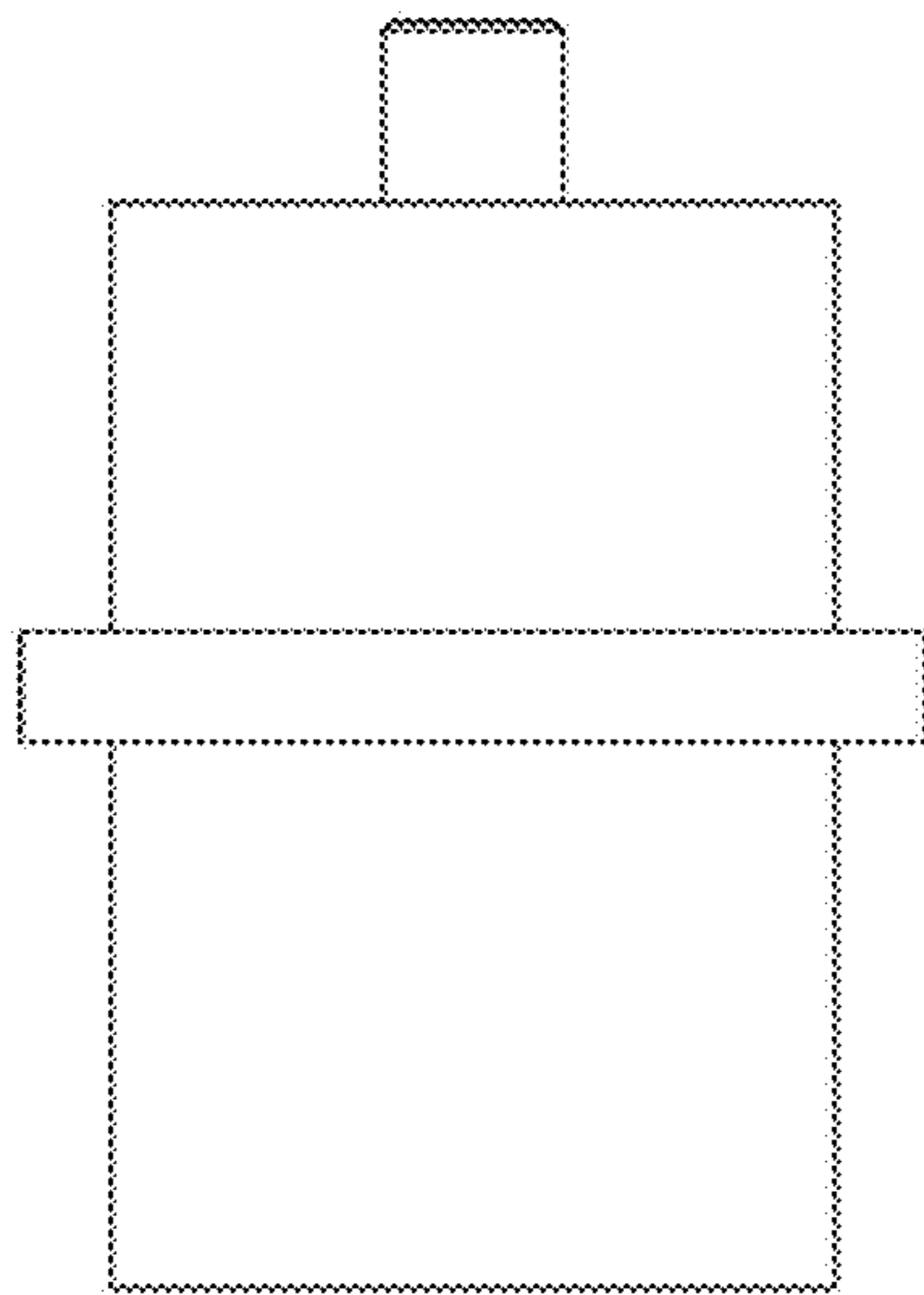


FIG. 6

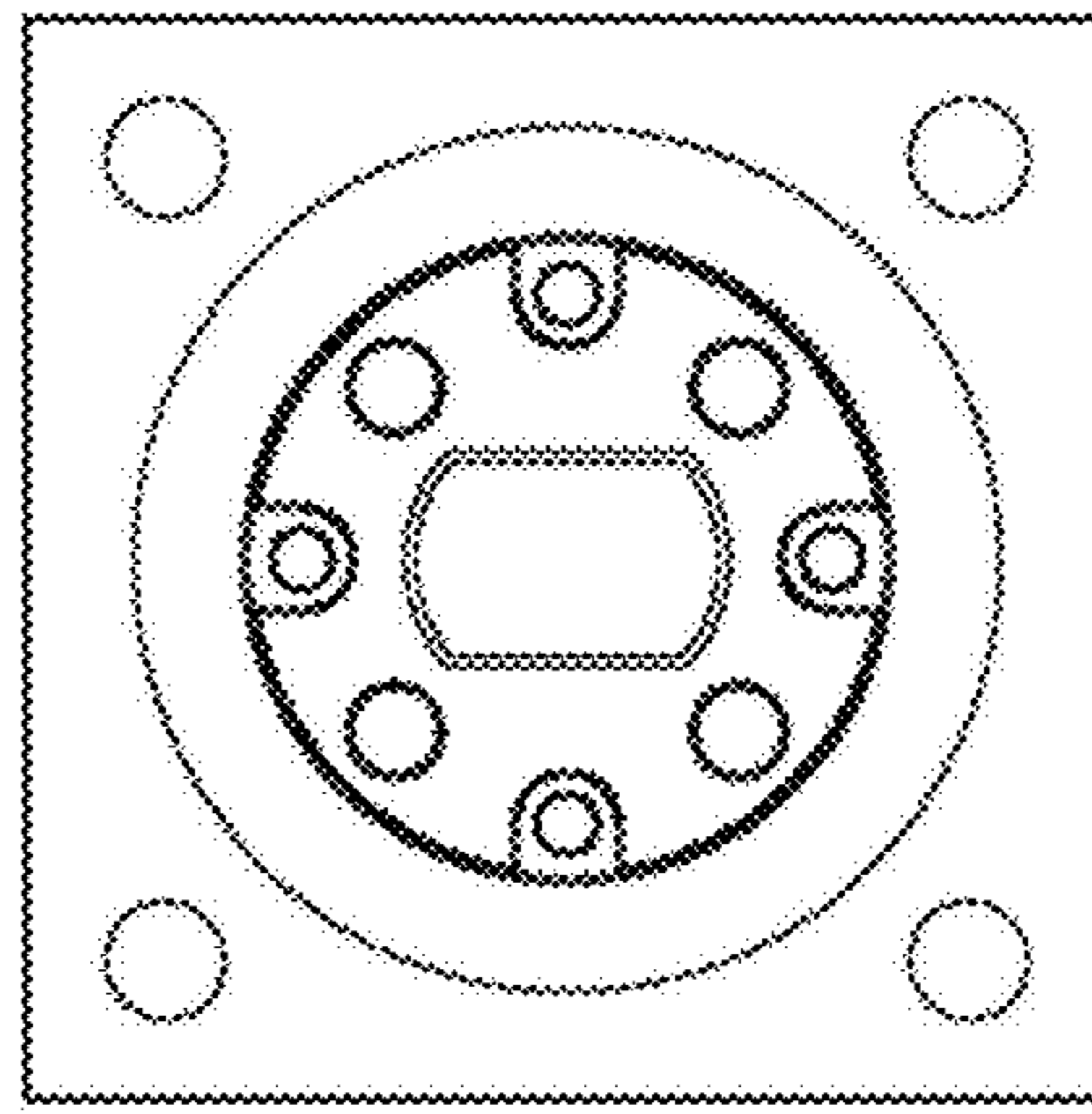


FIG. 7

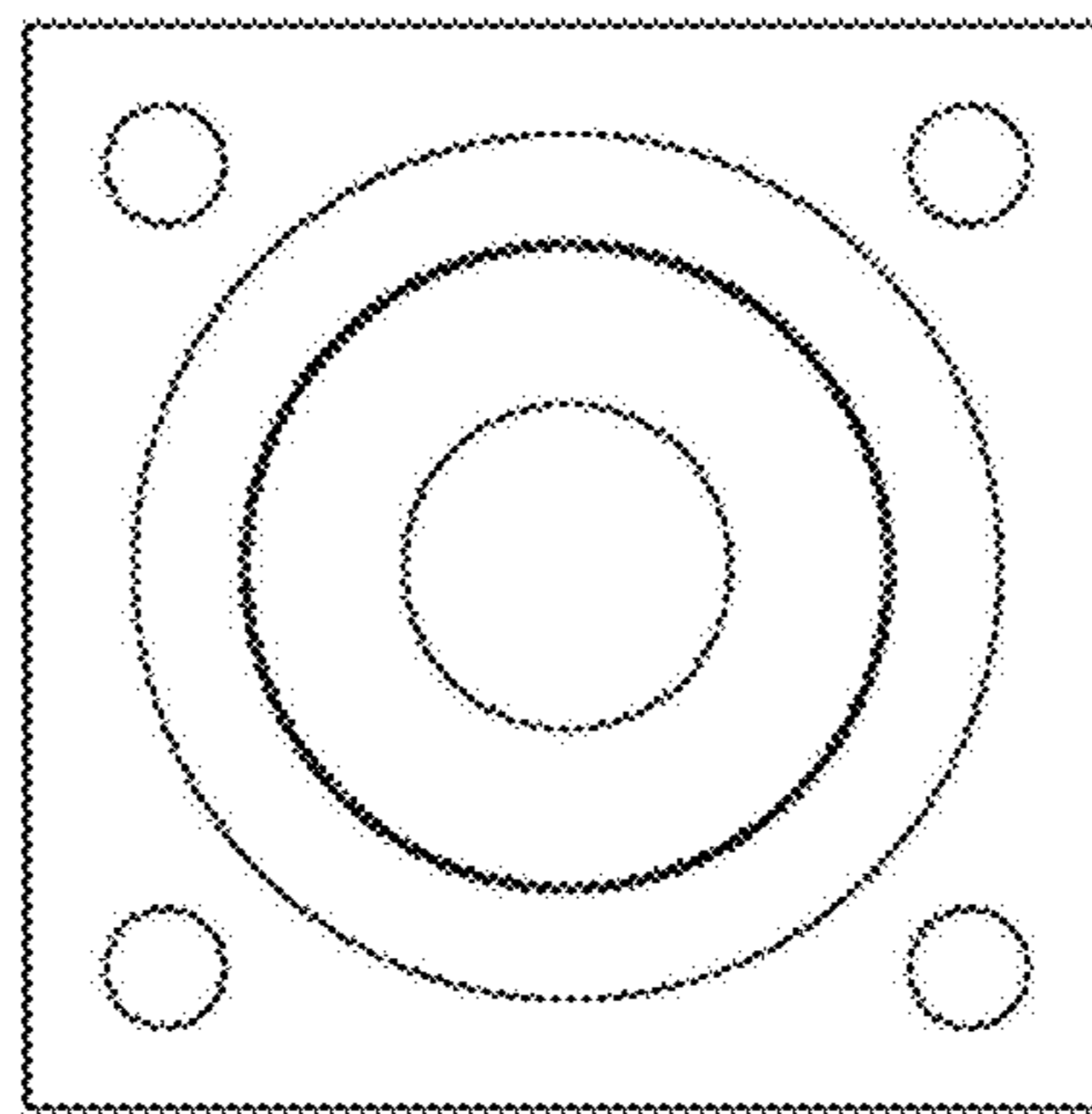


FIG. 8

