



US00D918007S

(12) **United States Design Patent** (10) **Patent No.:** **US D918,007 S**
Unger (45) **Date of Patent:** **** May 4, 2021**

- (54) **WHEEL CARRIER BRACKET ASSEMBLY**
- (71) Applicant: **Polaris Industries Inc.**, Medina, MN (US)
- (72) Inventor: **Troy Unger**, El Cajon, CA (US)
- (73) Assignee: **Polaris Industries Inc.**, Medina, MN (US)
- (**) Term: **15 Years**
- (21) Appl. No.: **29/684,786**
- (22) Filed: **Mar. 24, 2019**
- (51) **LOC (13) Cl.** **08-06**
- (52) **U.S. Cl.**
USPC **D8/323**
- (58) **Field of Classification Search**
USPC D8/323, 349, 328, 373, 354; D12/412;
16/250, 338, 227
CPC E05D 11/082; E05D 5/12; E05D 1/02;
B64G 1/222; B60N 2/01508
See application file for complete search history.

(56) **References Cited**

U.S. PATENT DOCUMENTS

D523,803 S *	6/2006	Smith	D12/223
D650,774 S *	12/2011	Molter	D14/239
D698,224 S *	1/2014	Ridges	D8/331
D758,829 S *	6/2016	Bennett	D8/328
D818,343 S *	5/2018	Ignarra	D8/328
D835,972 S *	12/2018	Patil	F01N 3/2066 D8/354
10,227,097 B2	3/2019	Smith		
D851,569 S *	6/2019	DiCanzio	D12/202
D883,066 S *	5/2020	Yu	D8/323
D888,649 S *	6/2020	Bennett	D12/412
D895,399 S *	9/2020	Ferreira	D8/349
D902,698 S *	11/2020	Walterscheid	D8/356

OTHER PUBLICATIONS

Rugged Ridge, Jeep Parts and Accessories, Bumpers, Lift Kits, Seat Covers, Soft Tops, Wheels, Winches, 8 pages, <http://www.ruggedridge.com/spartacus-hd-tire-carrier-hinge-casting-18-19-jl-11546-56.html> (2019).

Chinese Office Action dated Mar. 18, 2020 in corresponding Chinese Design Application No. 2019305224676.
First Notification for Making Rectification in corresponding Chinese Application No. 2020304902754, dated Sep. 3, 2020.
Canadian Examination Report in corresponding Canadian Application No. 190108, dated Nov. 27, 2020.

* cited by examiner

Primary Examiner — Cynthia R Underwood
(74) *Attorney, Agent, or Firm* — Harness, Dickey & Pierce, P.L.C.

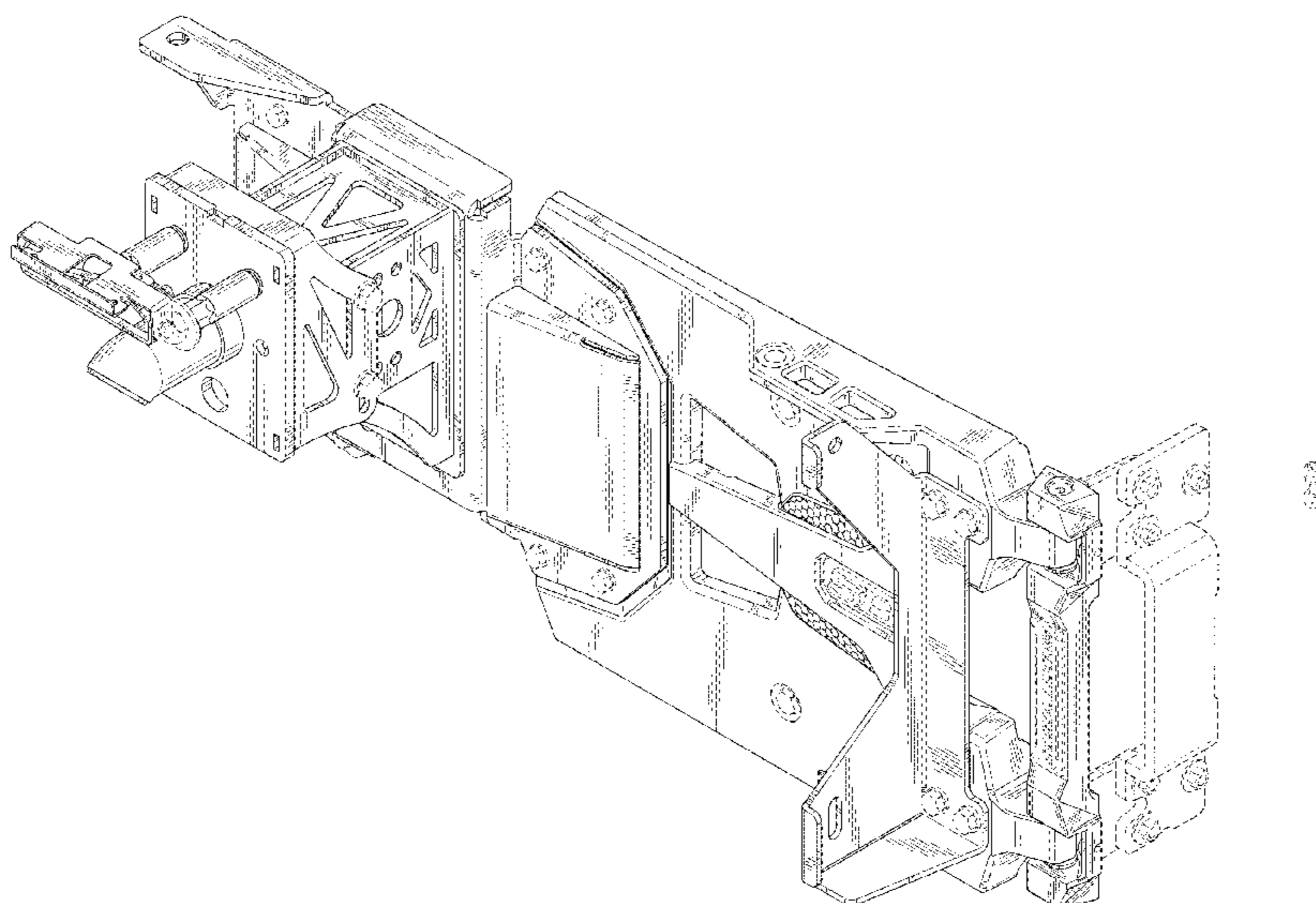
(57) **CLAIM**

The ornamental design for a wheel carrier bracket assembly, as shown and described.

DESCRIPTION

FIG. 1 is a front elevation view of a wheel carrier bracket assembly;
FIG. 2 is a rear elevation view of the wheel carrier bracket assembly;
FIG. 3 is a top plan view of the wheel carrier bracket assembly;
FIG. 4 is a bottom plan view wheel carrier bracket assembly;
FIG. 5 is a first side elevation view of wheel carrier bracket assembly;
FIG. 6 is a second side elevation view of wheel carrier bracket assembly;
FIG. 7 is a top front perspective view from the second side of wheel carrier bracket assembly; and,
FIG. 8 is a bottom rear perspective view from the first side of wheel carrier bracket assembly.
The broken lines represent portions of the structure that forms no part of the claim.

1 Claim, 8 Drawing Sheets



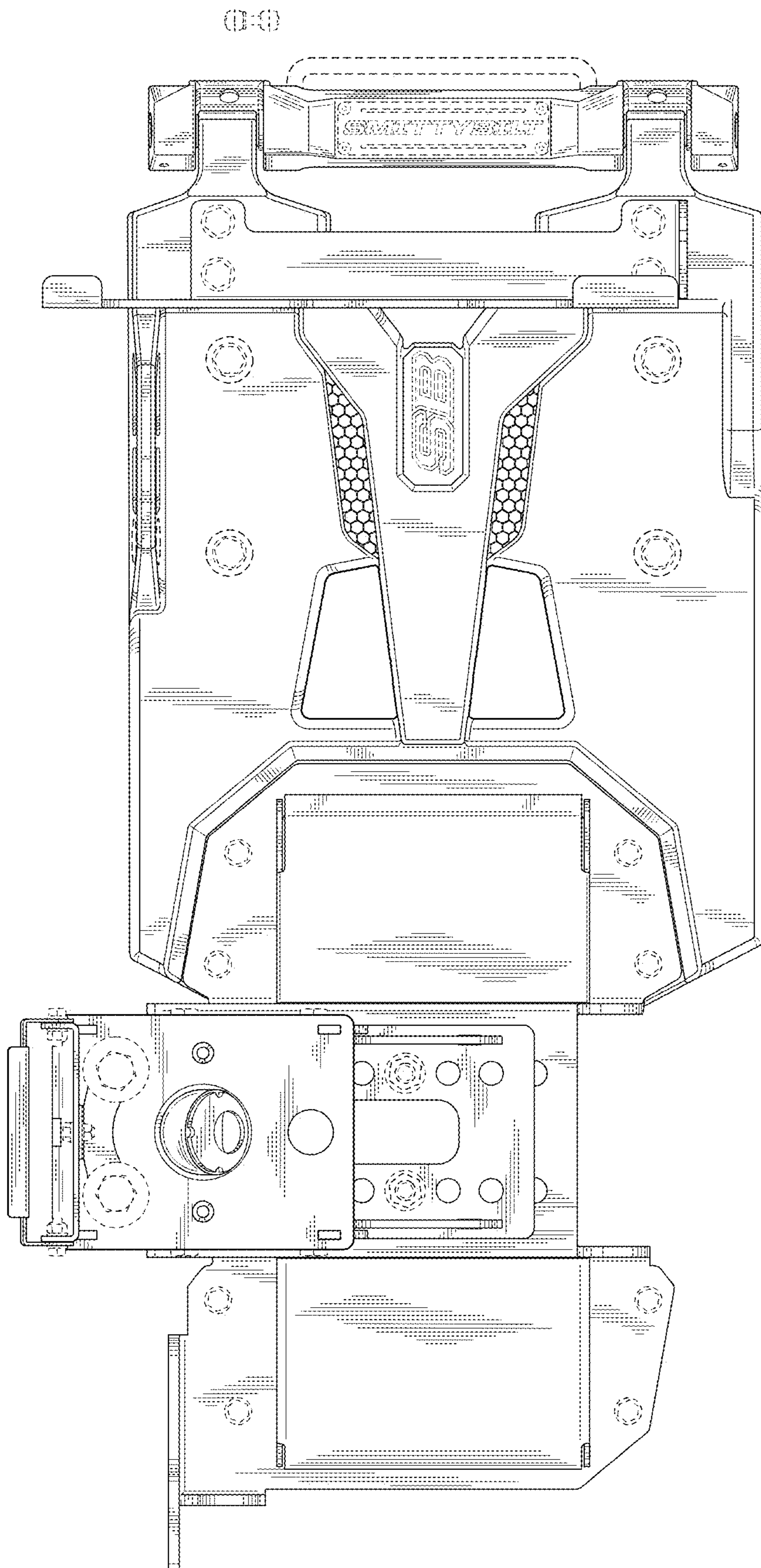


FIG. 1

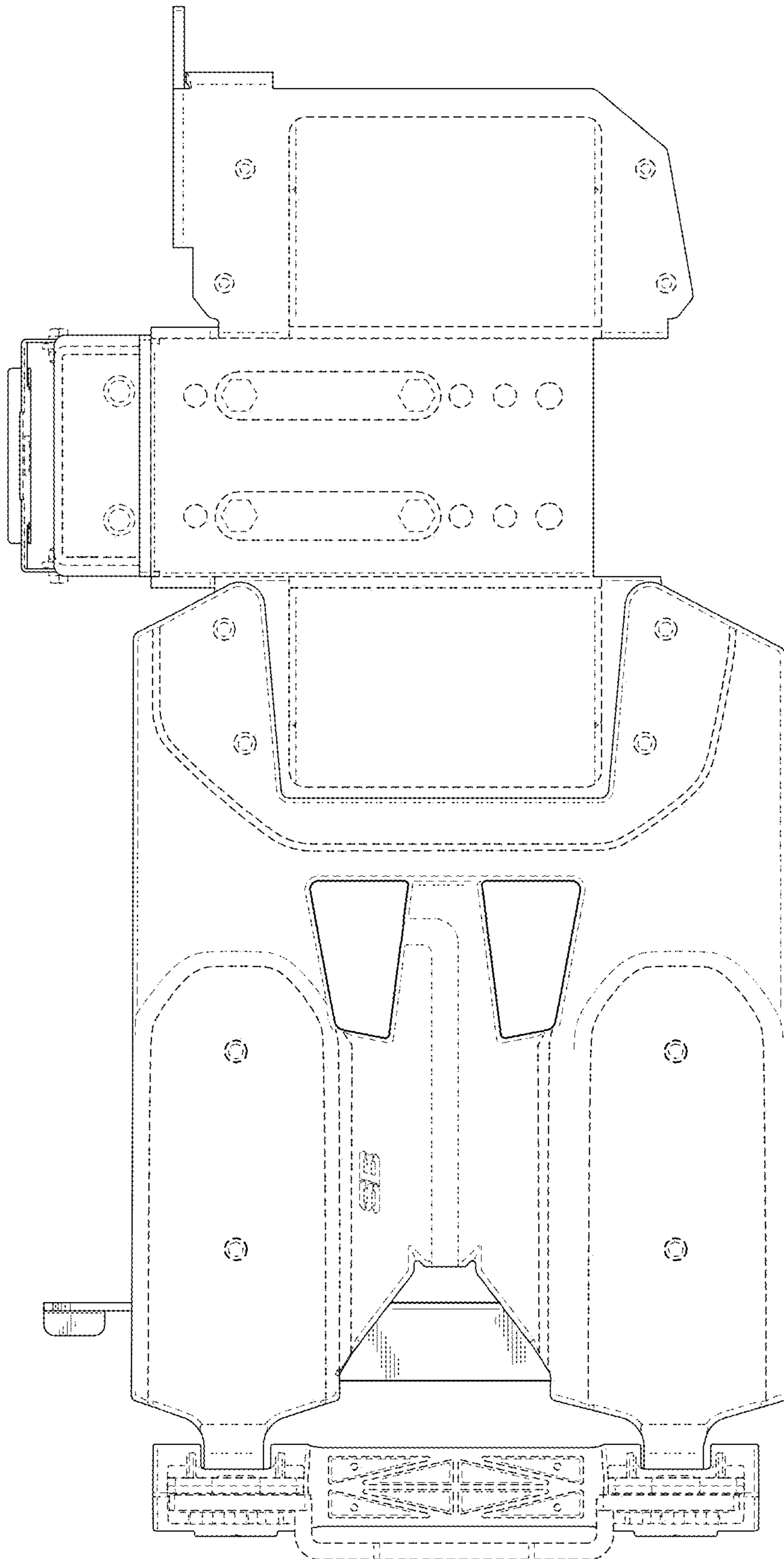


FIG. 2

(1:1)

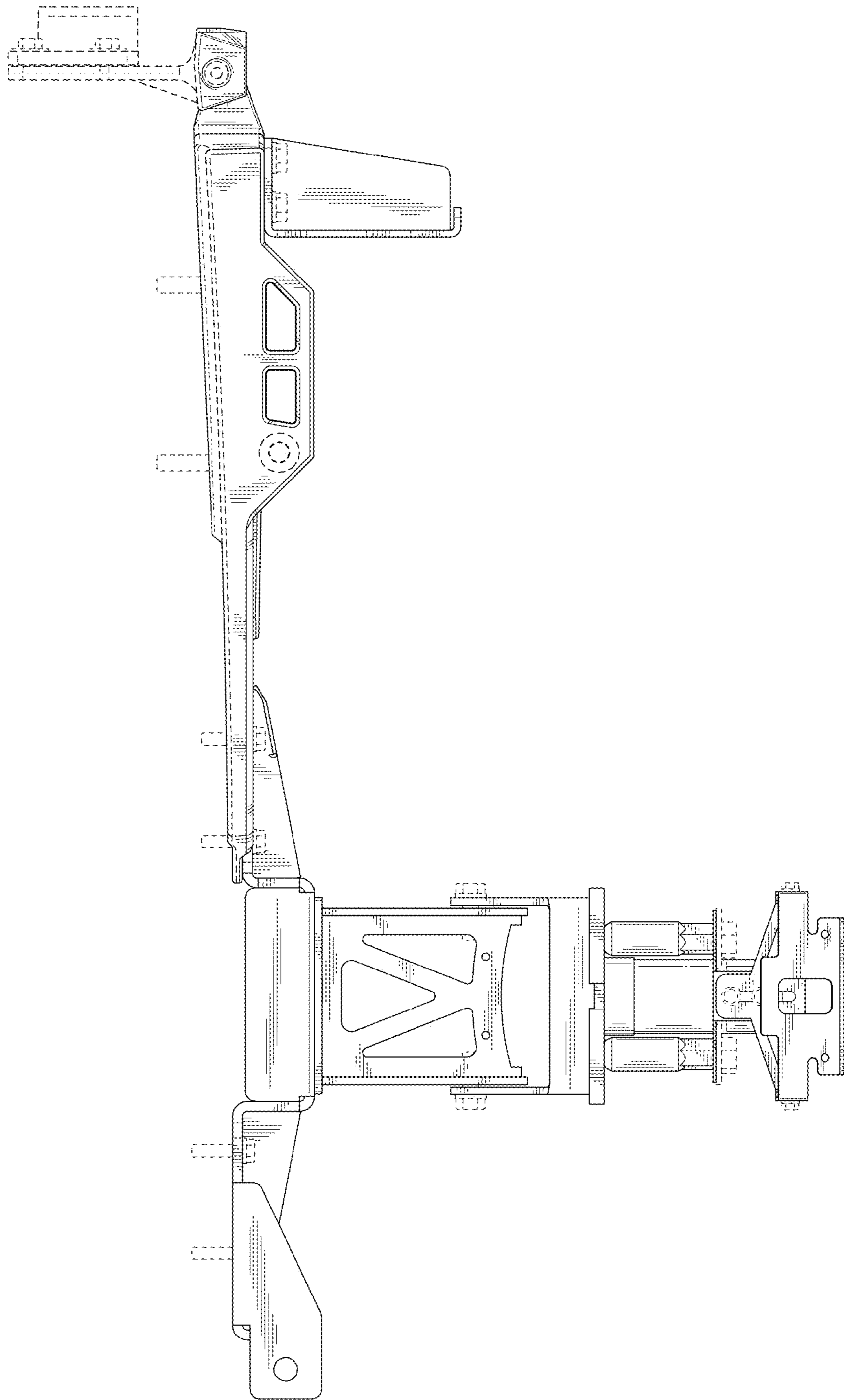


FIG. 3

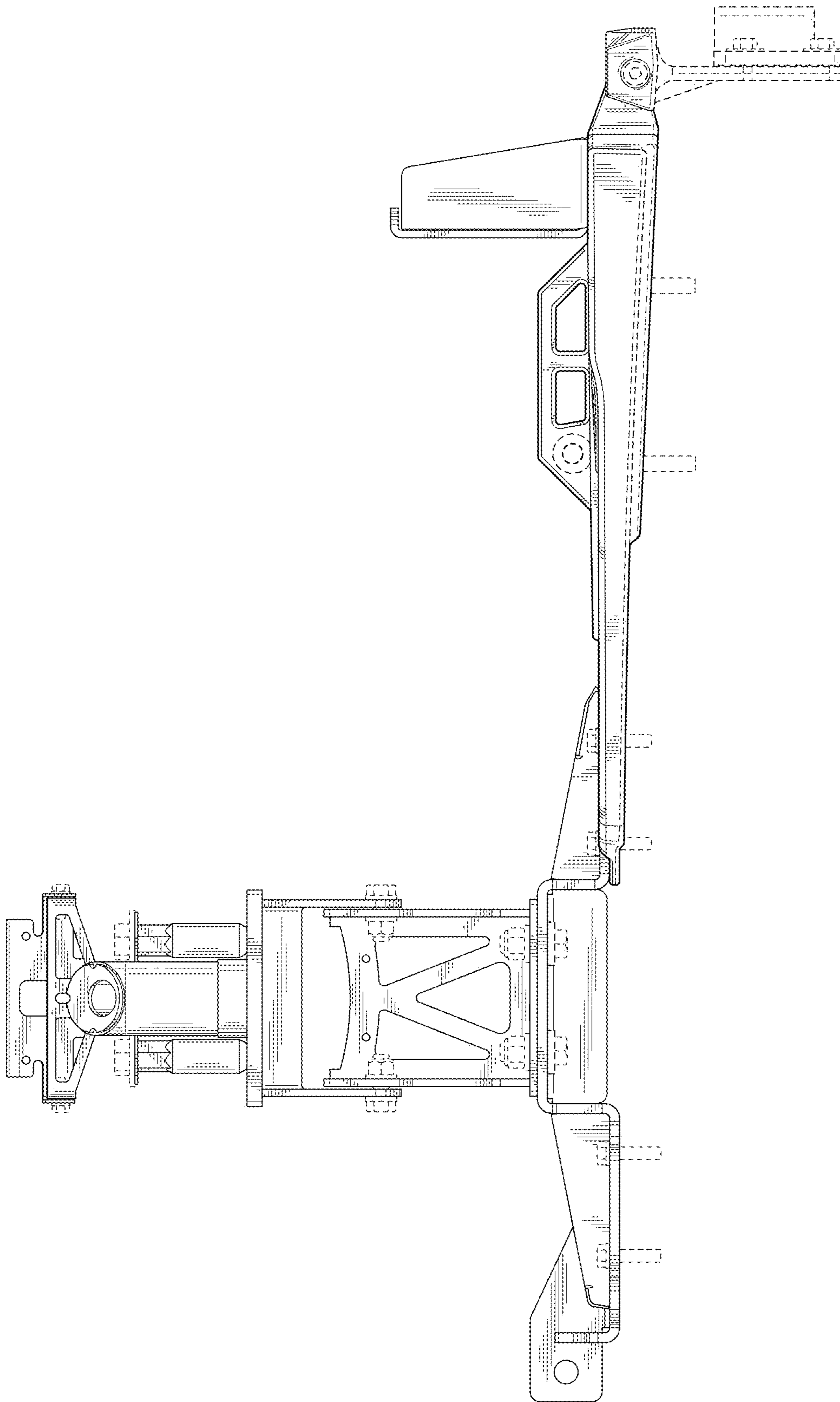


FIG. 4

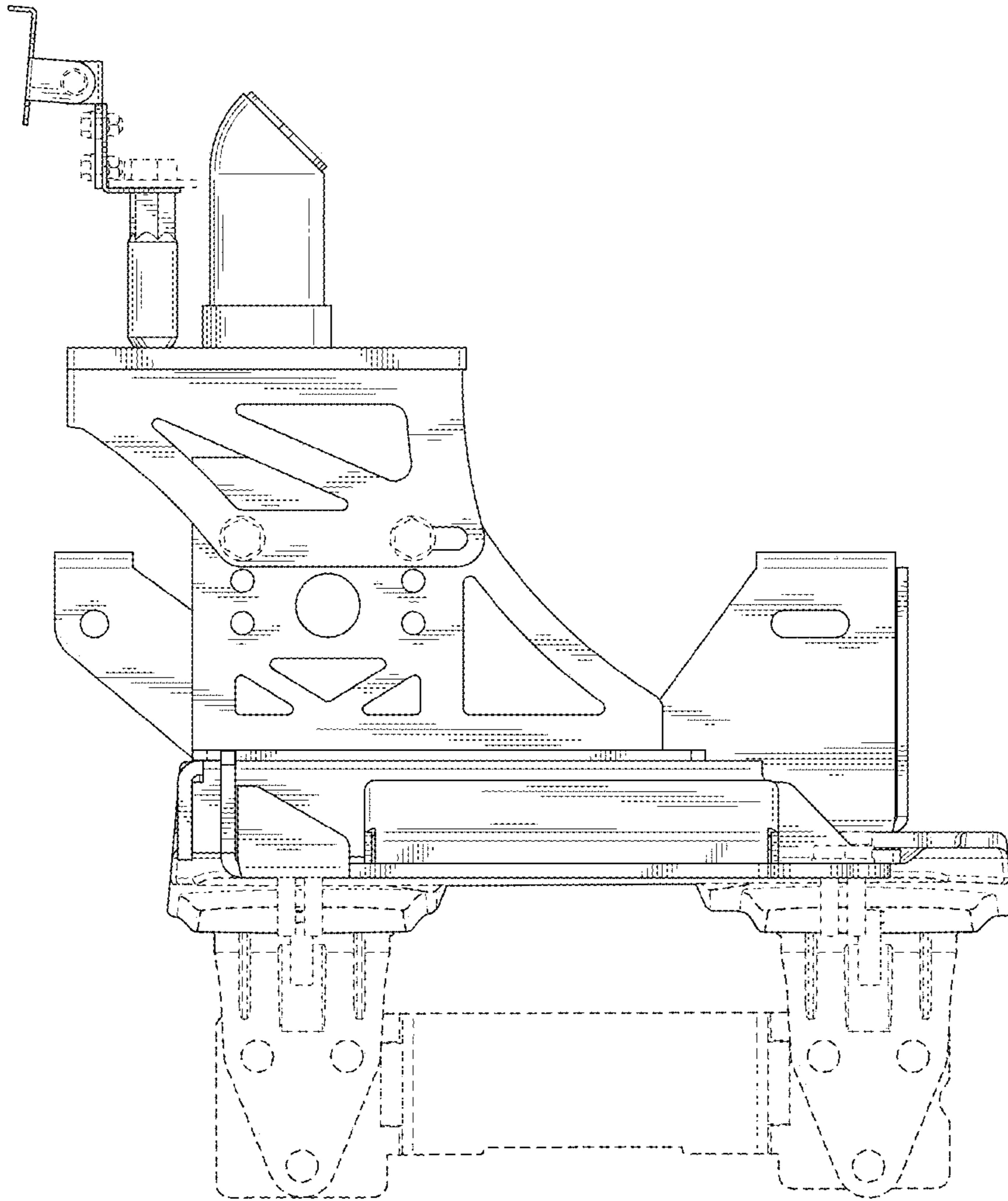


FIG. 5

FIG. 5

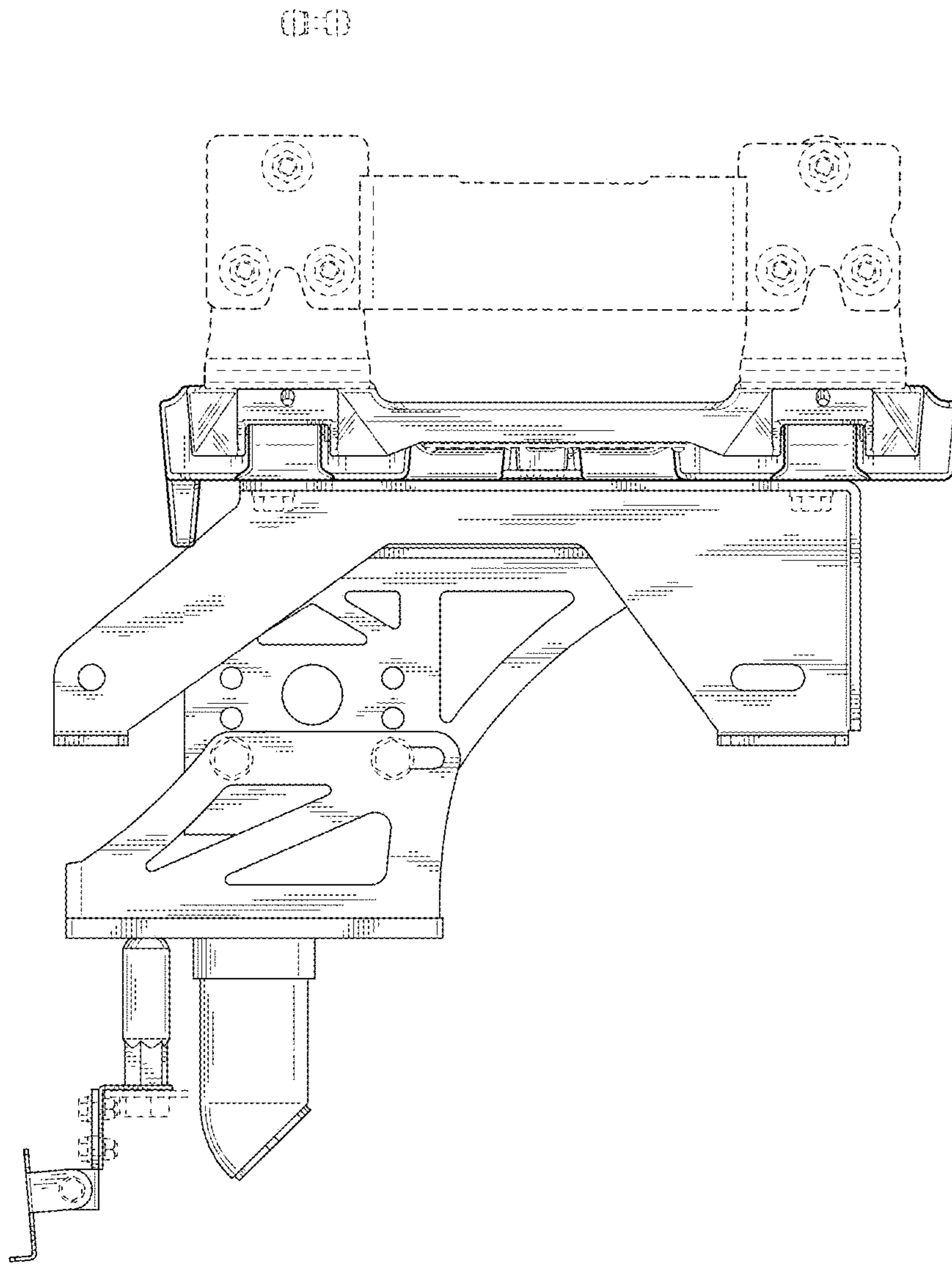


FIG. 6

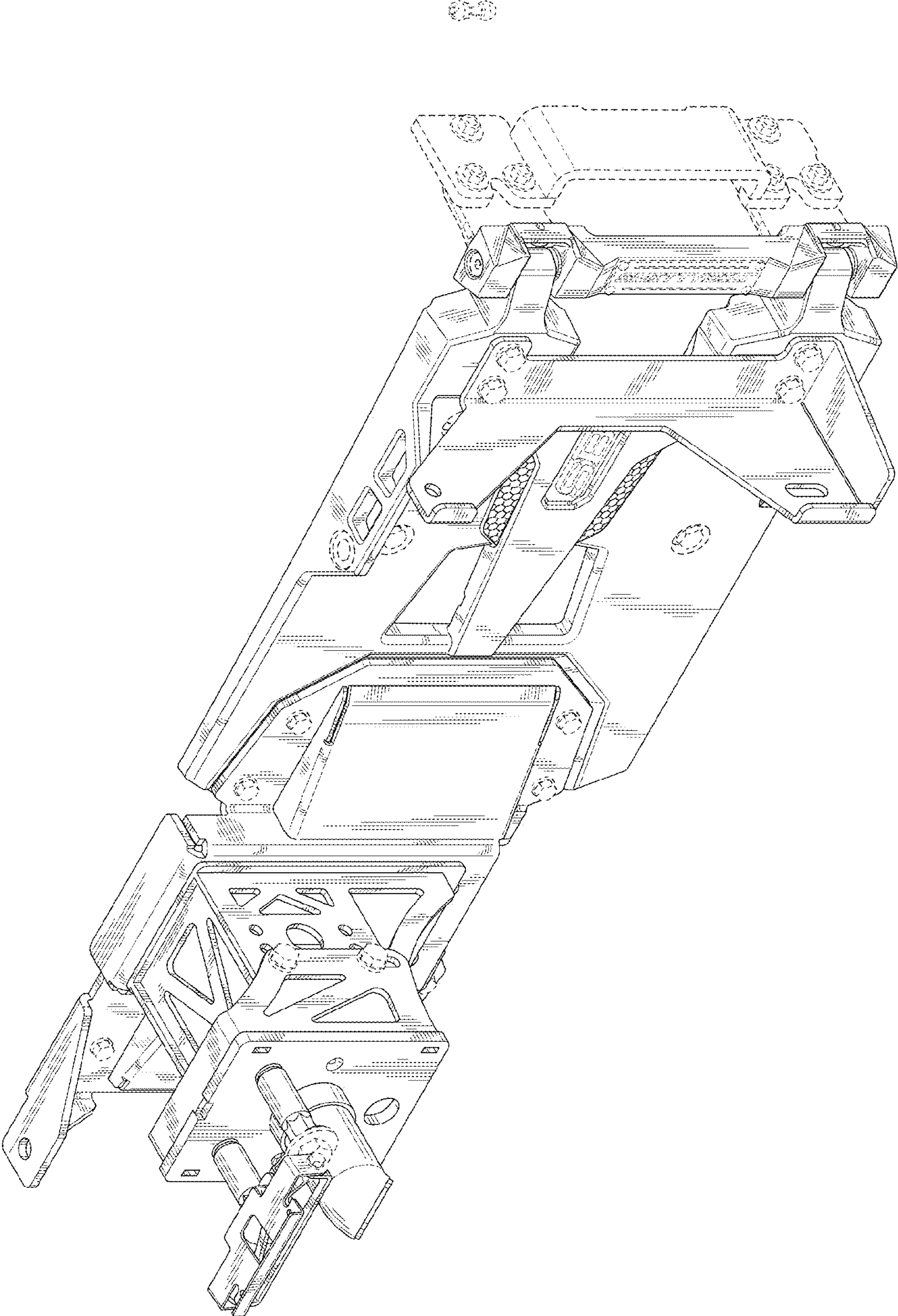


FIG. 7

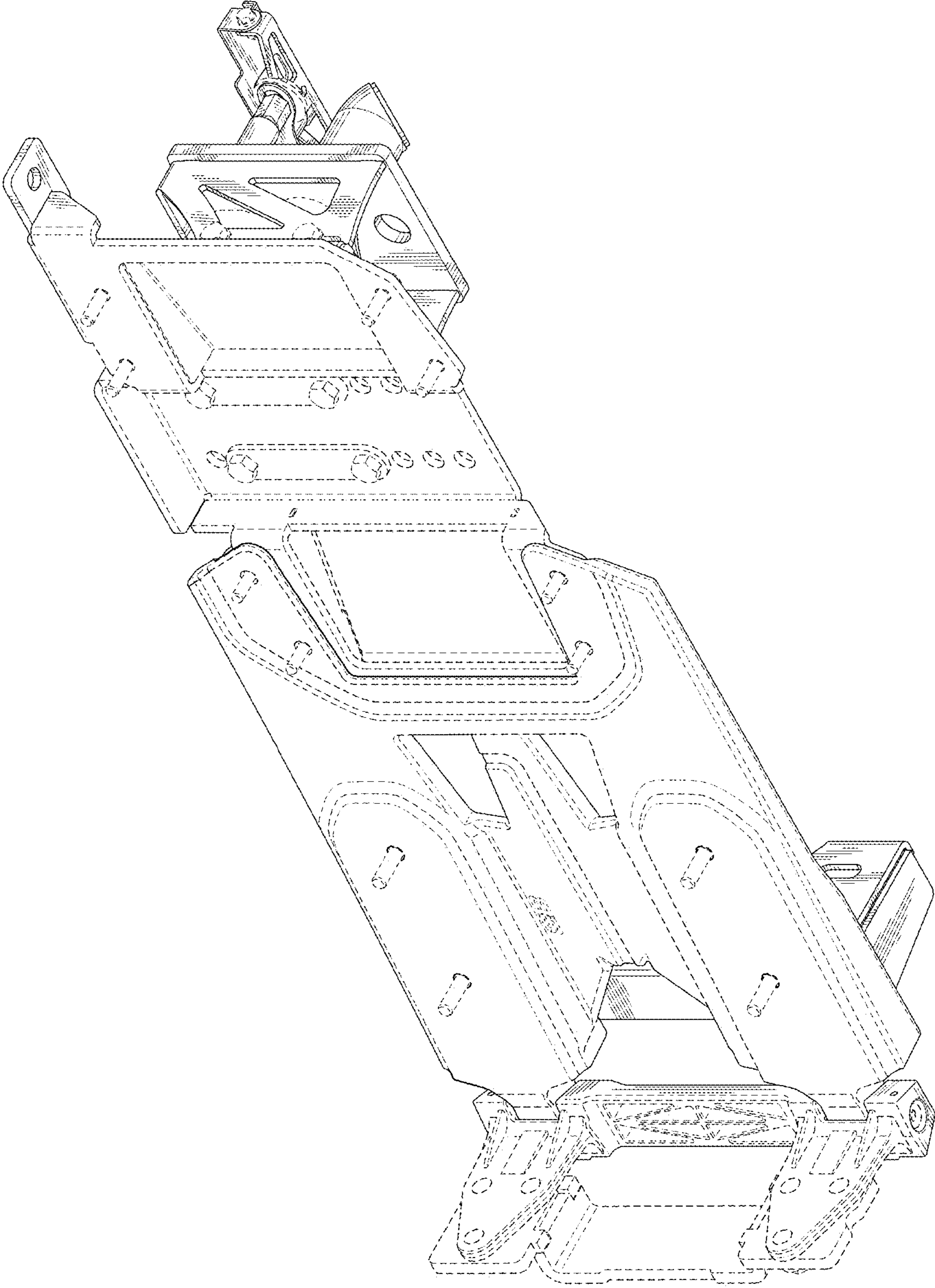


FIG. 8