



US00D918006S

(12) **United States Design Patent** (10) **Patent No.:** **US D918,006 S**  
**Hanks** (45) **Date of Patent:** **\*\* May 4, 2021**

(54) **KNOB FOR A COOKING STATION** 7,203,998 B2 \* 4/2007 Howie, Jr. .... G05G 1/105  
16/414  
(71) Applicant: **North Atlantic Imports, LLC**, Logan, UT (US) D576,445 S 9/2008 Coudurier  
D577,540 S 9/2008 Magnouloux  
D582,210 S \* 12/2008 McKenzie ..... D7/402  
(72) Inventor: **Christopher L. Hanks**, Logan, UT (US) D634,156 S 3/2011 Fuller et al.  
D644,912 S 9/2011 Benold  
D651,458 S 1/2012 Segers et al.  
D652,249 S 1/2012 Munari  
D684,006 S 6/2013 Munari  
(73) Assignee: **North Atlantic Imports, LLC**, Logan, UT (US) D696,068 S 12/2013 Baacke et al.  
D703,997 S 5/2014 Munari

(Continued)

(\*\*) Term: **15 Years**

*Primary Examiner* — Lauren R Calve

(21) Appl. No.: **29/707,619**

(74) *Attorney, Agent, or Firm* — David L. Stott

(22) Filed: **Sep. 30, 2019**

(57) **CLAIM**

(51) **LOC (13) Cl.** ..... **08-06**

The ornamental design for a knob for a cooking station, as shown and described.

(52) **U.S. Cl.**

**DESCRIPTION**

USPC ..... **D8/311**

(58) **Field of Classification Search**

USPC ..... D8/107, 300, 301, 307, 310, 311, 312;  
D10/102; D23/250, 421; D7/393, 394,  
D7/396, 543, 545, 547, 548

CPC ... Y10T 292/57; Y10T 292/82; Y10T 16/469;  
Y10T 16/44; Y10T 16/476; Y10T  
74/2084; Y10T 292/85; Y10T 74/2087;  
Y10T 16/4713; Y10T 16/506; Y10T  
74/20876; Y10T 74/20612; Y10T  
70/5765; Y10T 16/459; Y10T 74/2066;  
Y10T 16/487; Y10T 74/20822

See application file for complete search history.

FIG. 1 is an isometric front view of a knob for a cooking station shown in environmental use;  
FIG. 2 is an enlarged view of the knob for a cooking station according to broken circle "A" shown in FIG. 1;  
FIG. 3 is a front view of the knob;  
FIG. 4 is a left-side view of the knob;  
FIG. 5 is a right-side view of the knob;  
FIG. 6 is a top view of the knob;  
FIG. 7 is a bottom view of the knob;  
FIG. 8 is an isometric front view of a second embodiment of a knob for a cooking station;  
FIG. 9 is a front view of the knob;  
FIG. 10 is a left-side view of the knob;  
FIG. 11 is a right-side view of the knob;  
FIG. 12 is a top view of the knob; and,  
FIG. 13 is a bottom view of the knob.

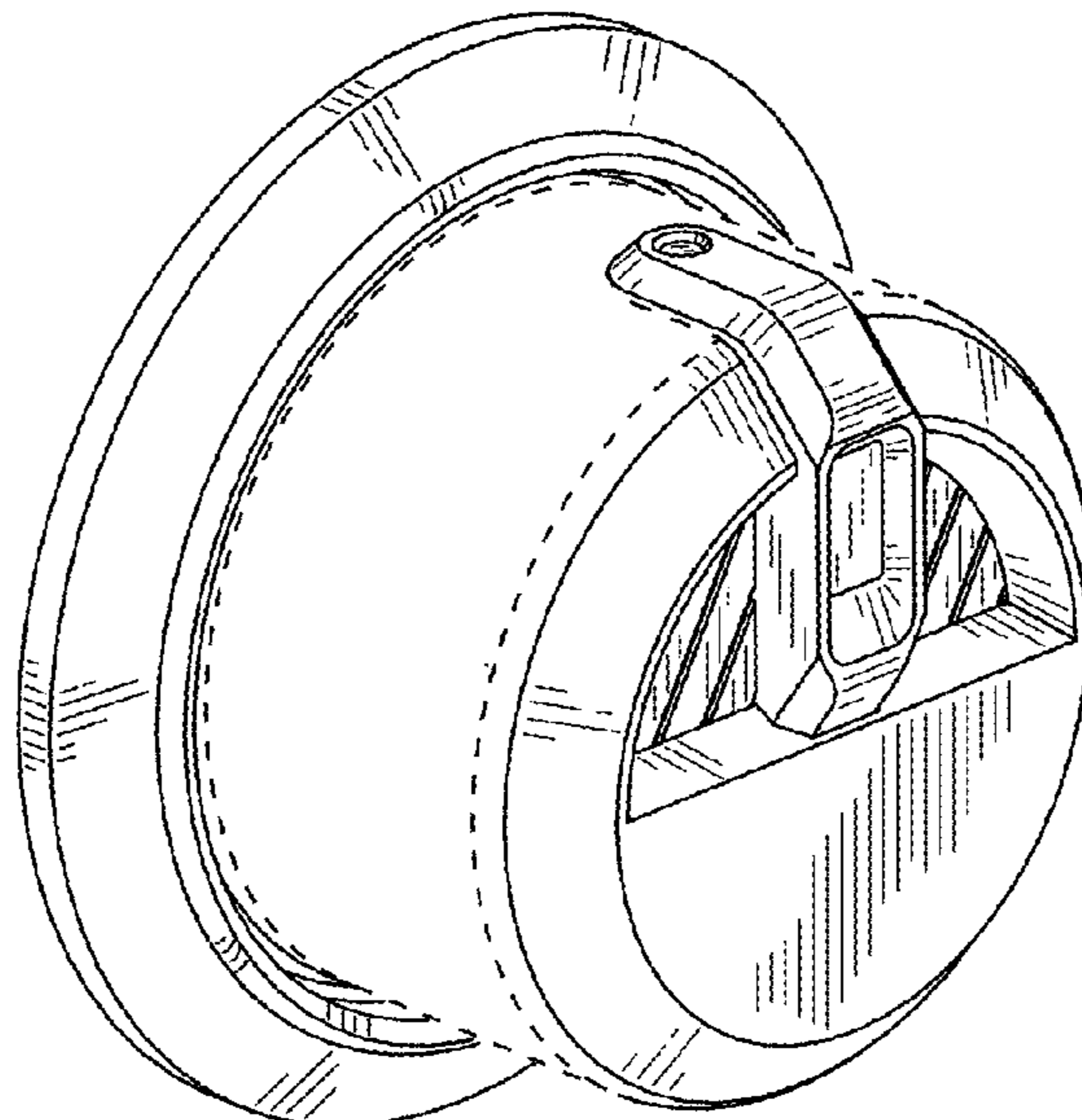
The broken lines in the drawings represent portions of the knob and the cooking station that form no part of the claimed design.

(56) **References Cited**

**U.S. PATENT DOCUMENTS**

2,699,141 A \* 1/1955 Gaguski ..... H01H 13/023  
116/332  
D461,993 S 8/2002 Coudurier  
D475,270 S \* 6/2003 Loyd ..... D8/312  
D493,090 S \* 7/2004 Chen ..... D8/310  
D524,097 S 7/2006 Magnouloux

**1 Claim, 6 Drawing Sheets**



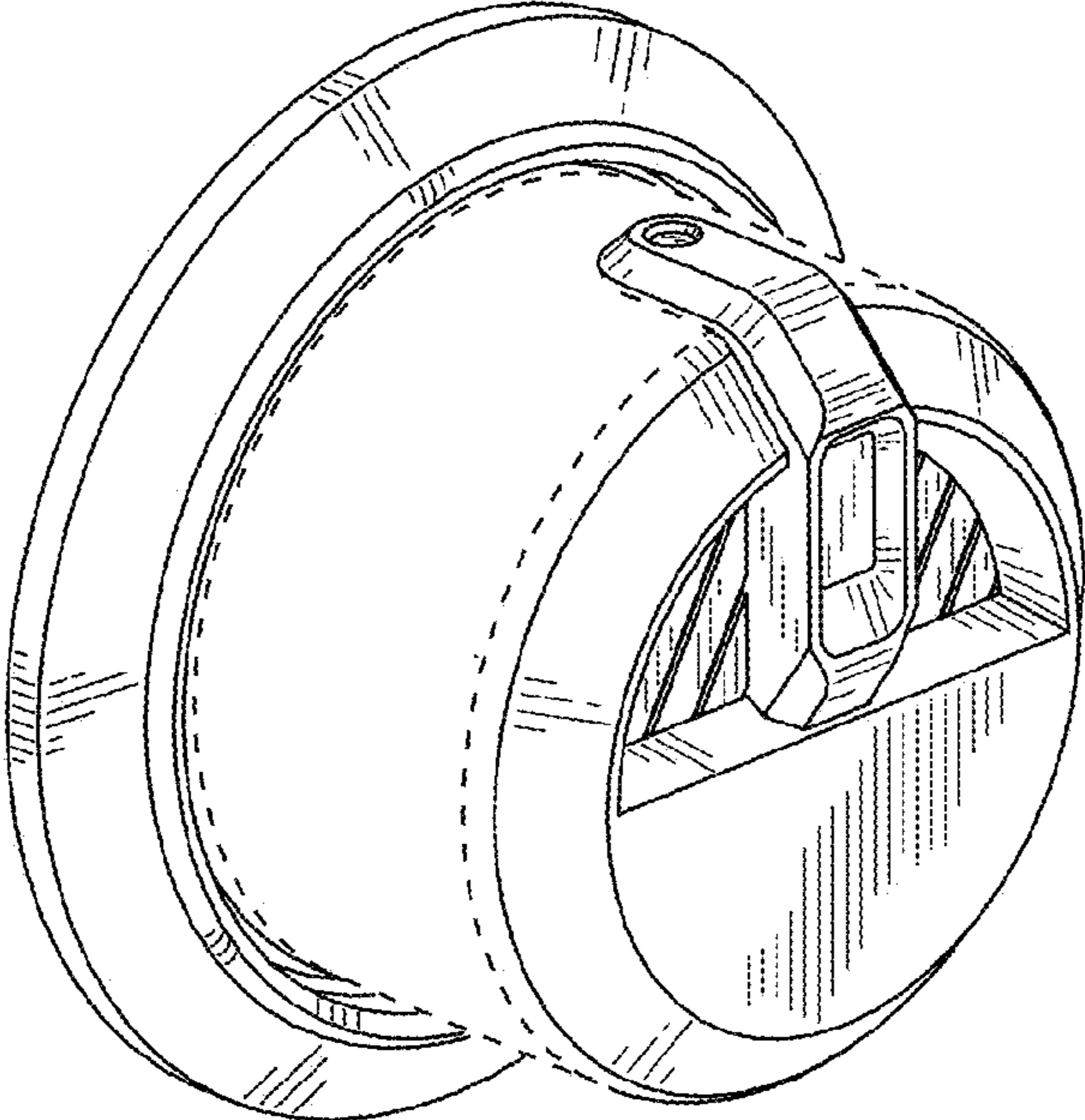
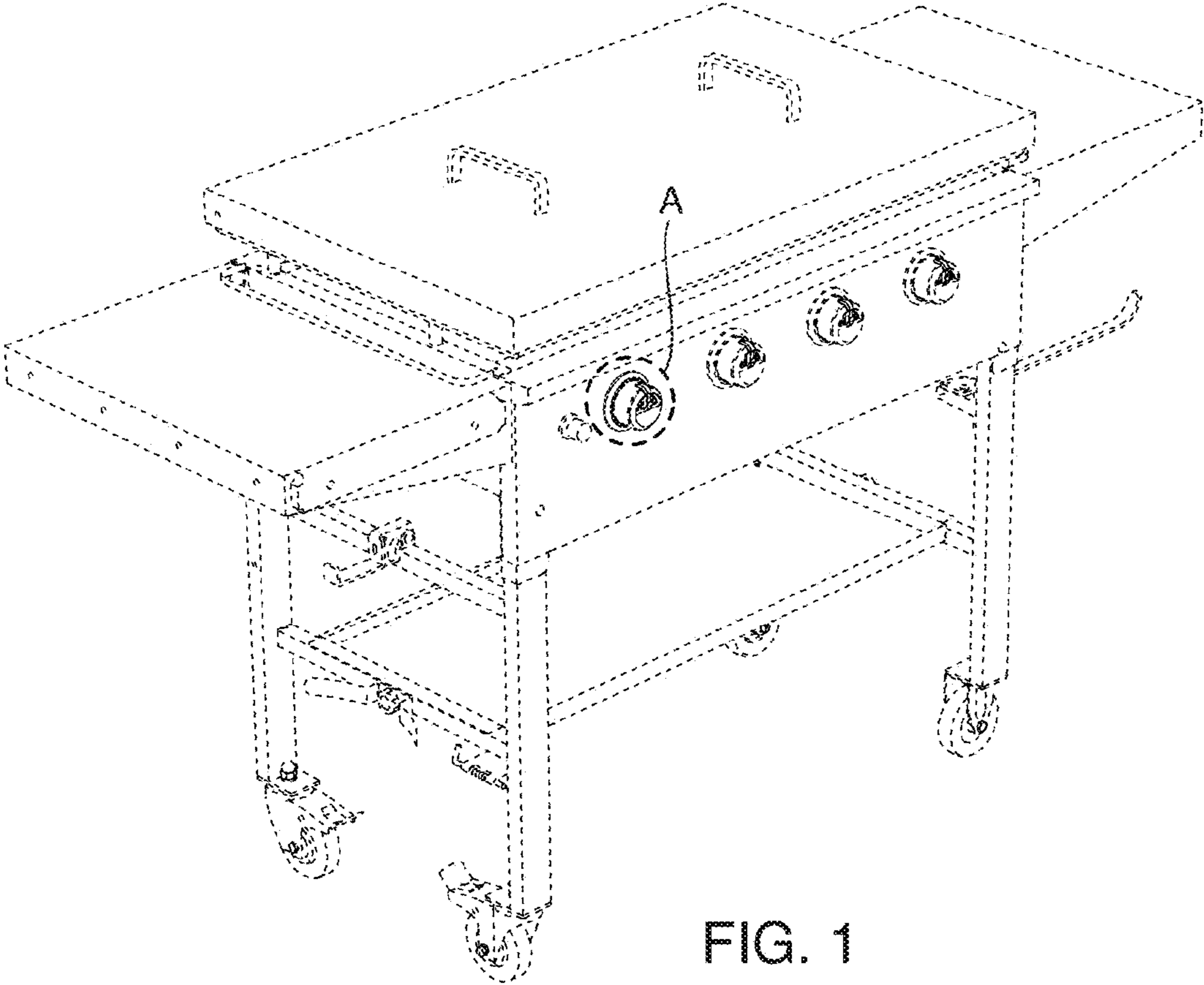
(56)

**References Cited**

U.S. PATENT DOCUMENTS

8,733,204 B2 \* 5/2014 Voss ..... A47J 37/0786  
74/553  
D734,093 S 7/2015 Munari  
D754,472 S 4/2016 Munari  
D793,199 S \* 8/2017 Nilssen ..... D8/311  
D834,394 S \* 11/2018 Kang ..... D8/311  
D842,072 S \* 3/2019 Nilssen ..... D8/311  
D848,239 S \* 5/2019 Pedersen ..... D8/312  
10,691,158 B2 \* 6/2020 Livolsi ..... G05G 5/06  
2006/0237294 A1 \* 10/2006 Greer ..... H01H 1/5805  
200/313  
2011/0240455 A1 \* 10/2011 Kulczycki ..... G06F 3/04883  
200/600  
2017/0185099 A1 \* 6/2017 Edinger ..... F24C 7/08

\* cited by examiner



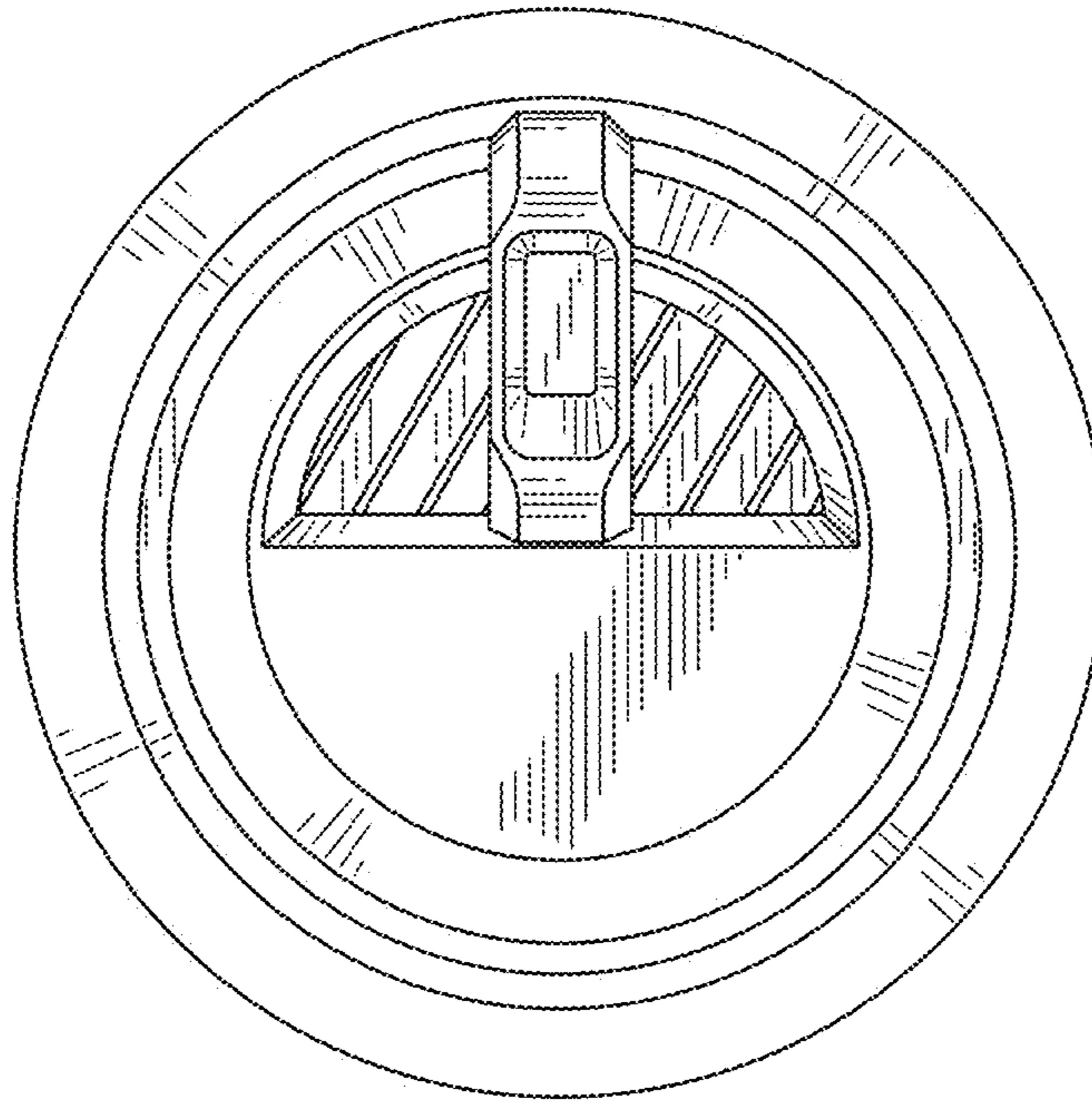


FIG. 3

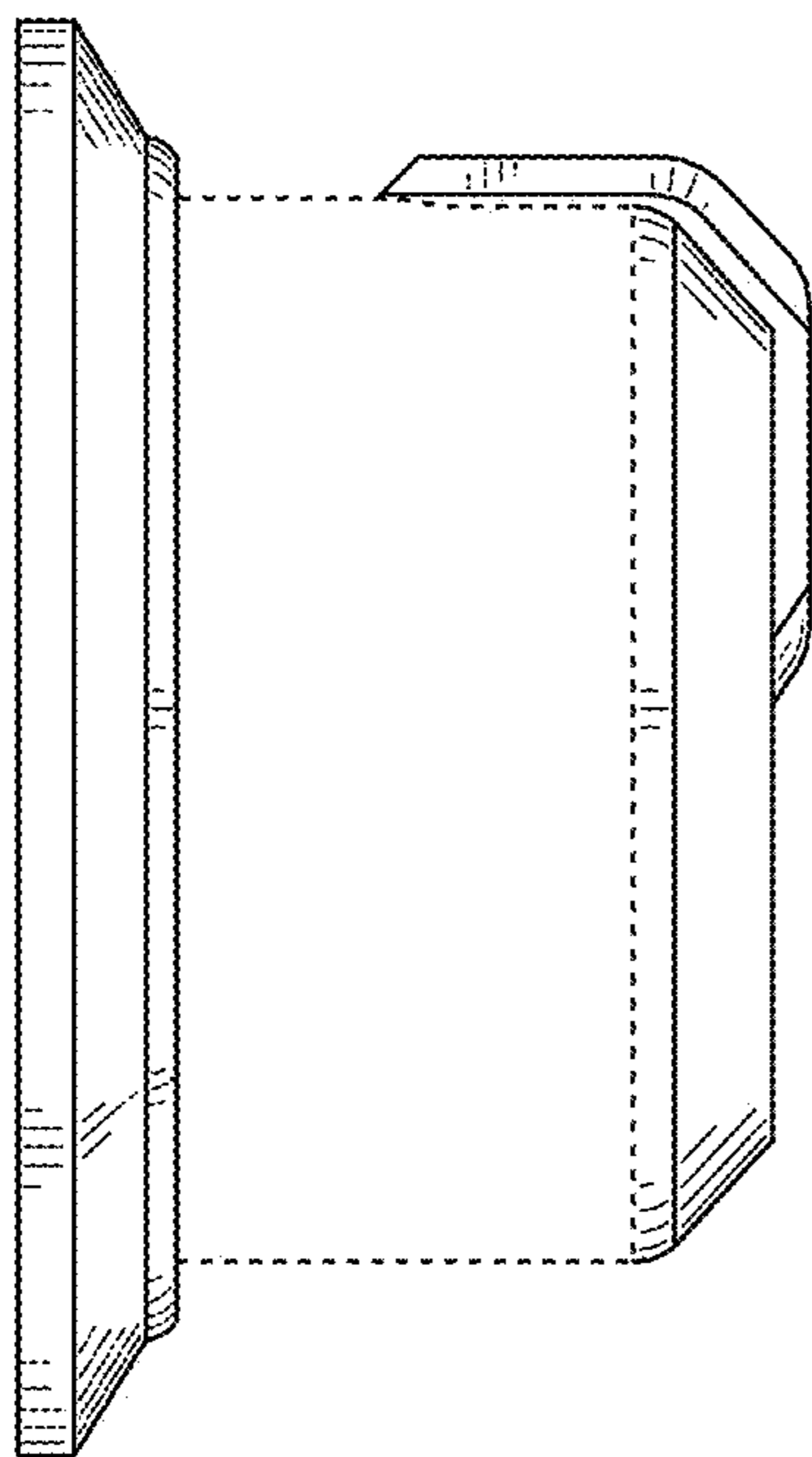


FIG. 4

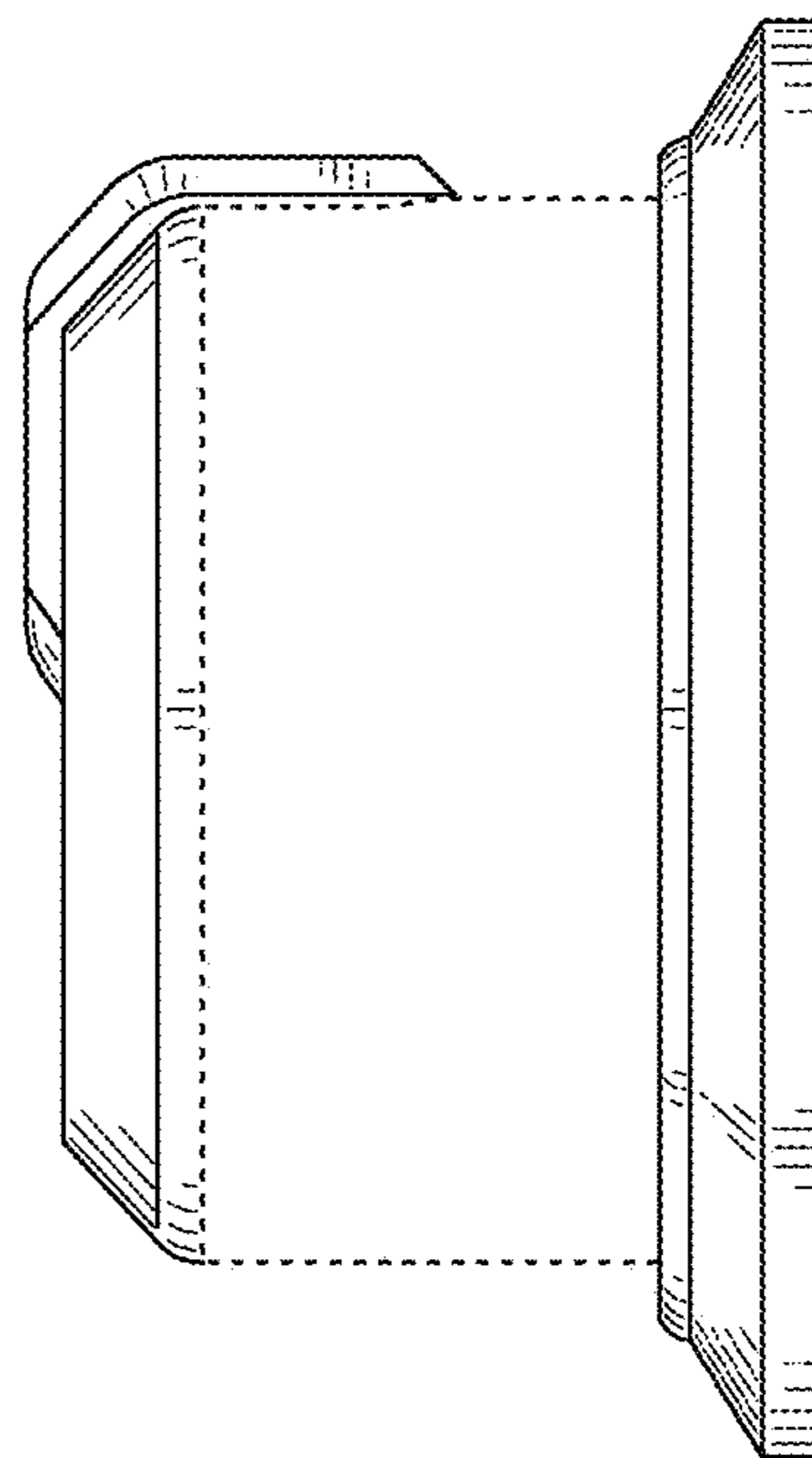


FIG. 5

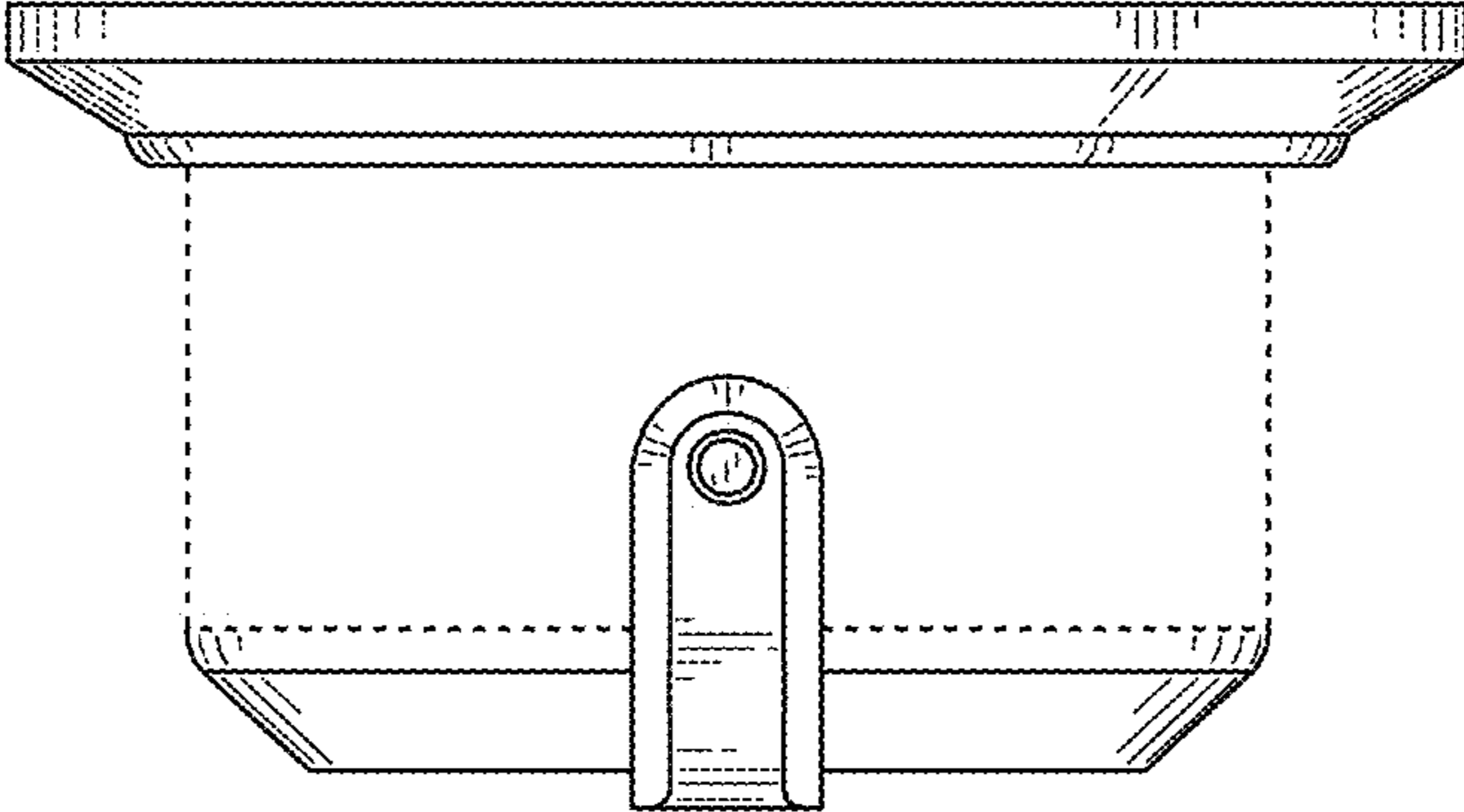


FIG. 6

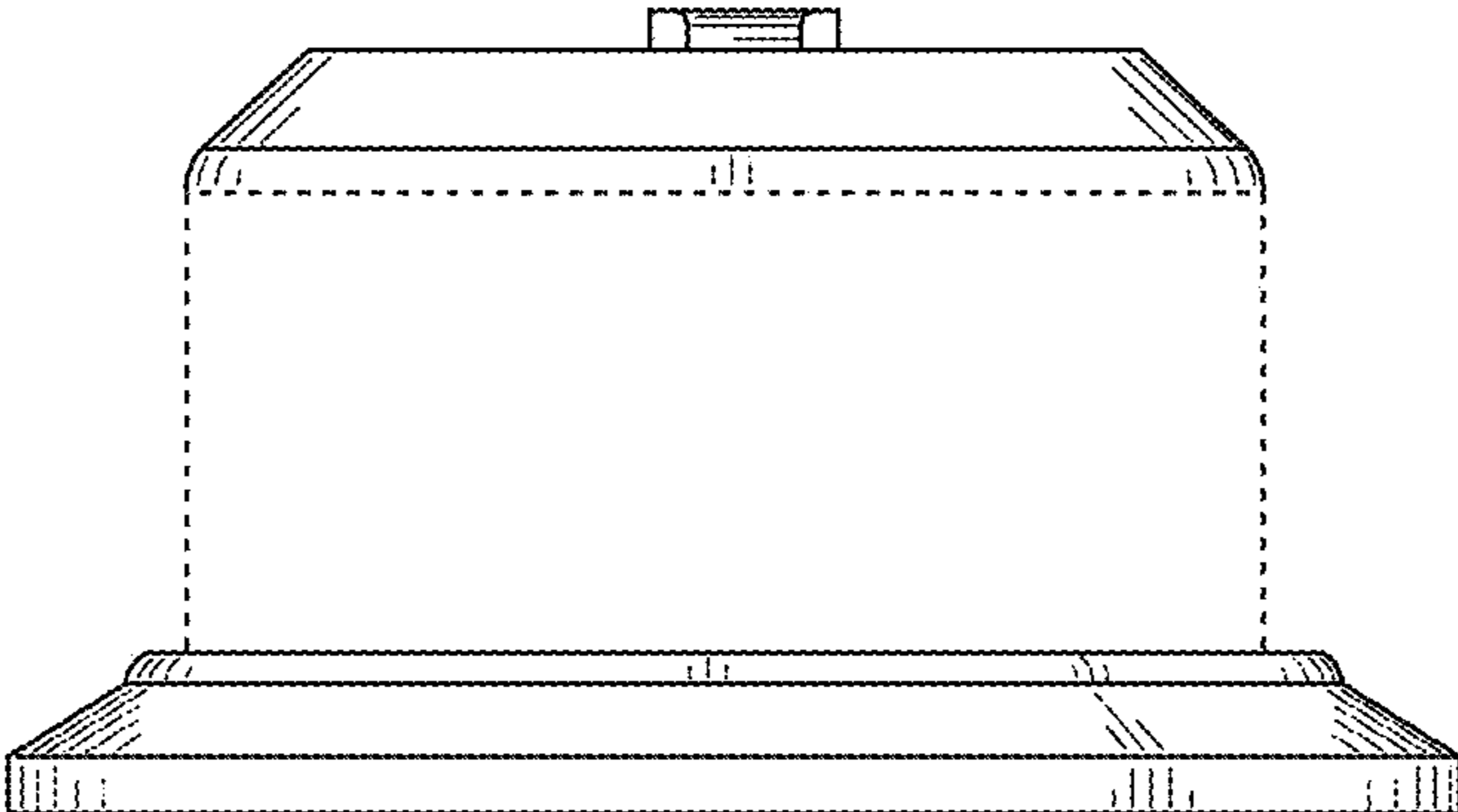


FIG. 7

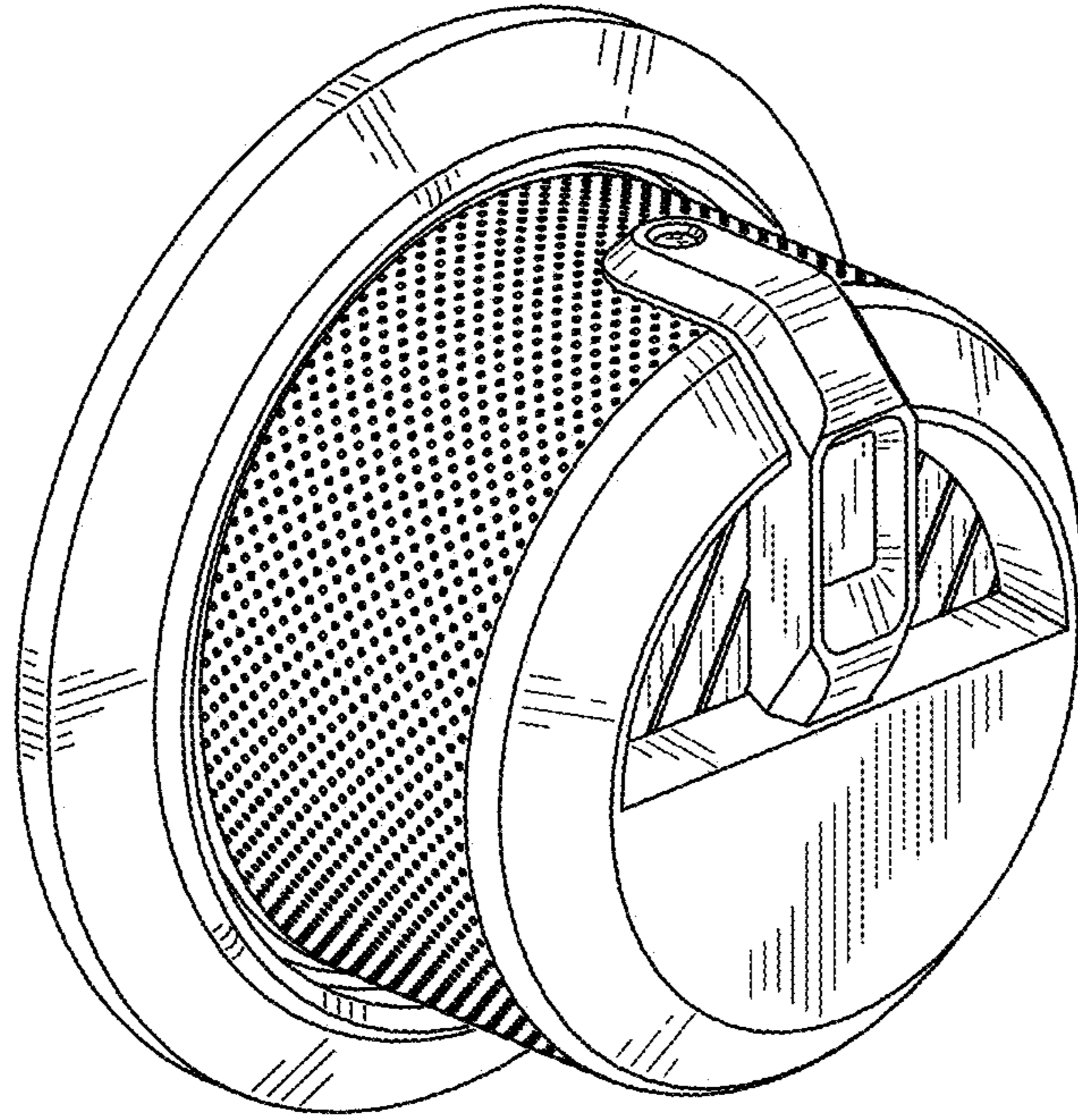


FIG. 8

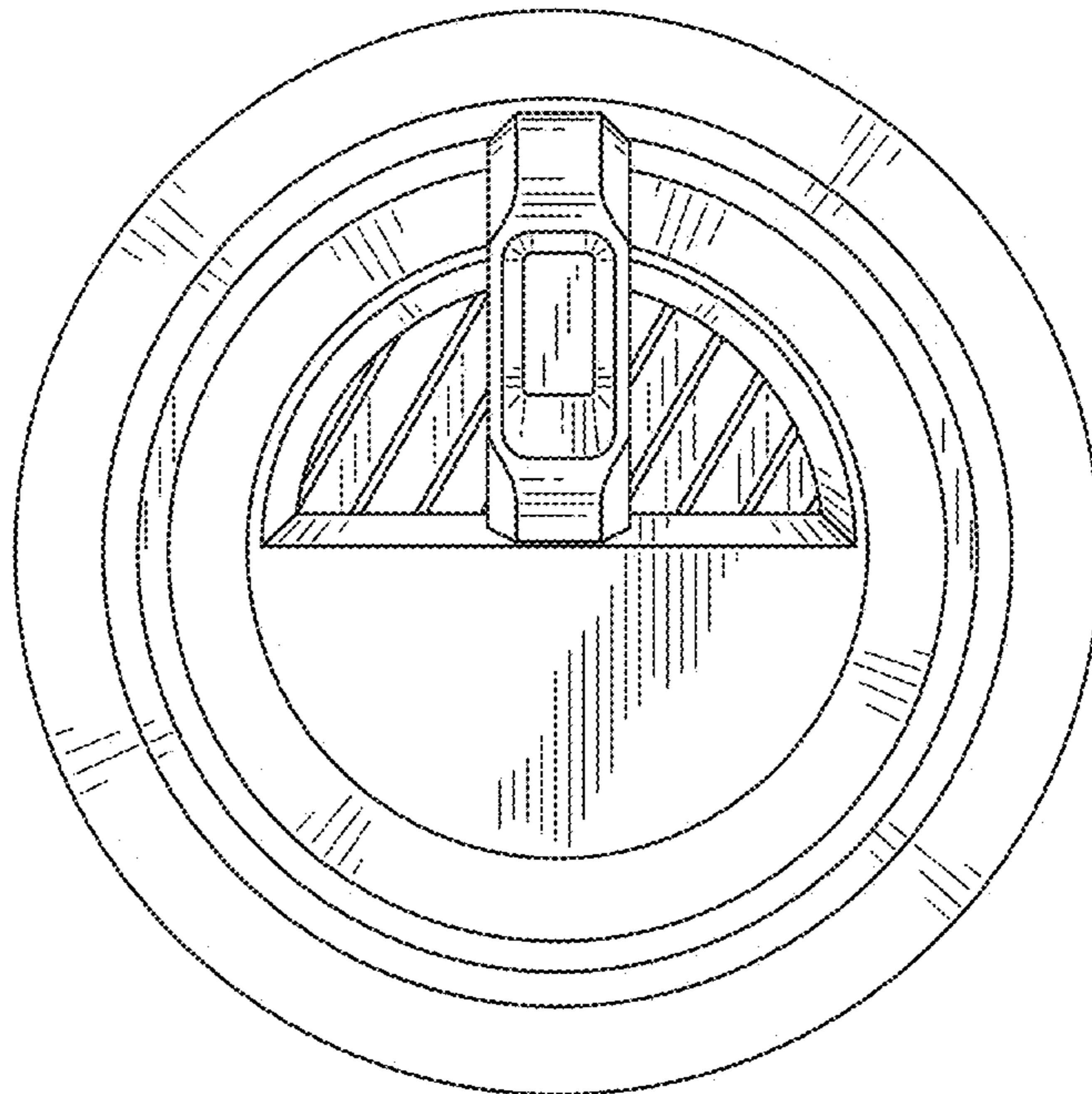


FIG. 9

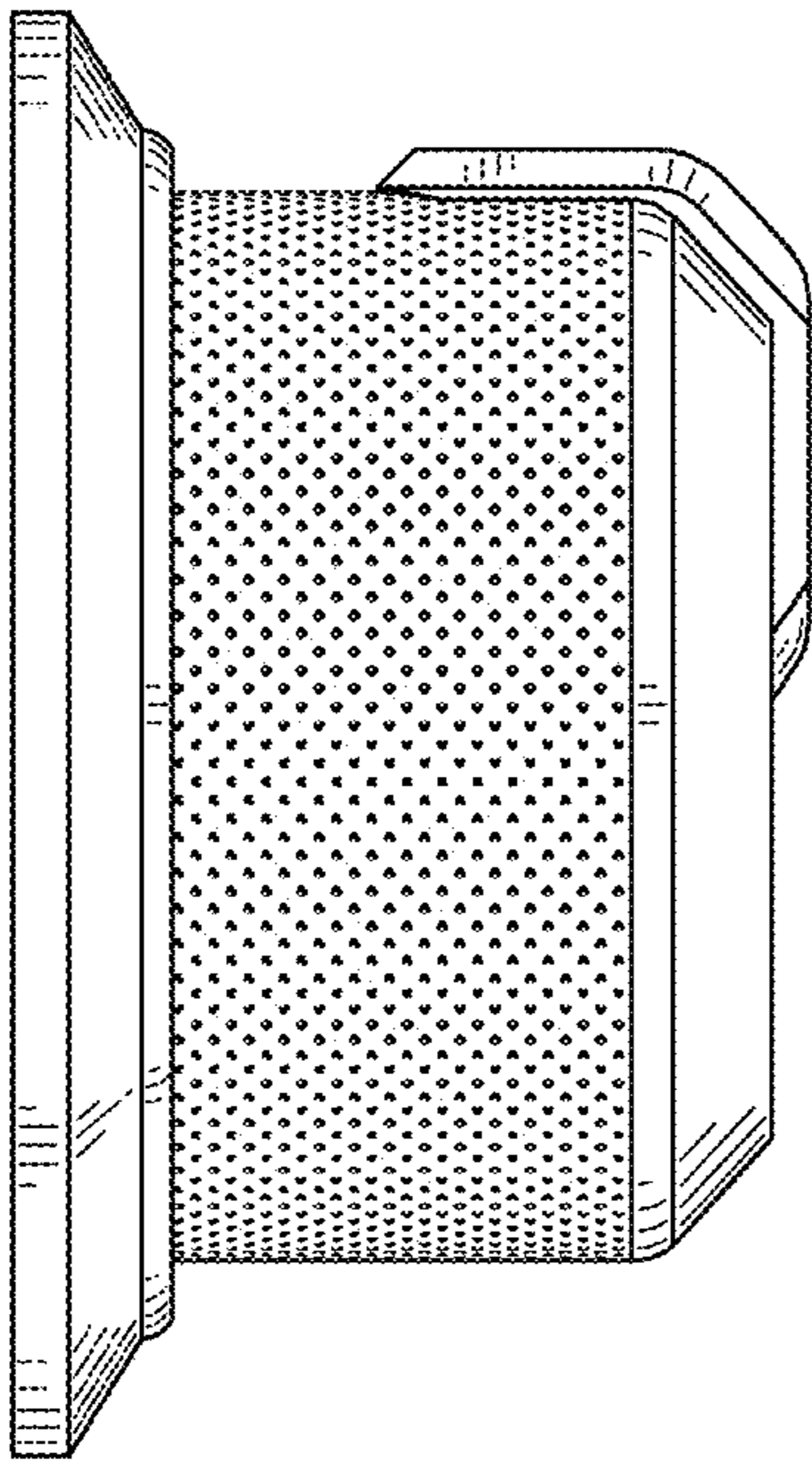


FIG. 10

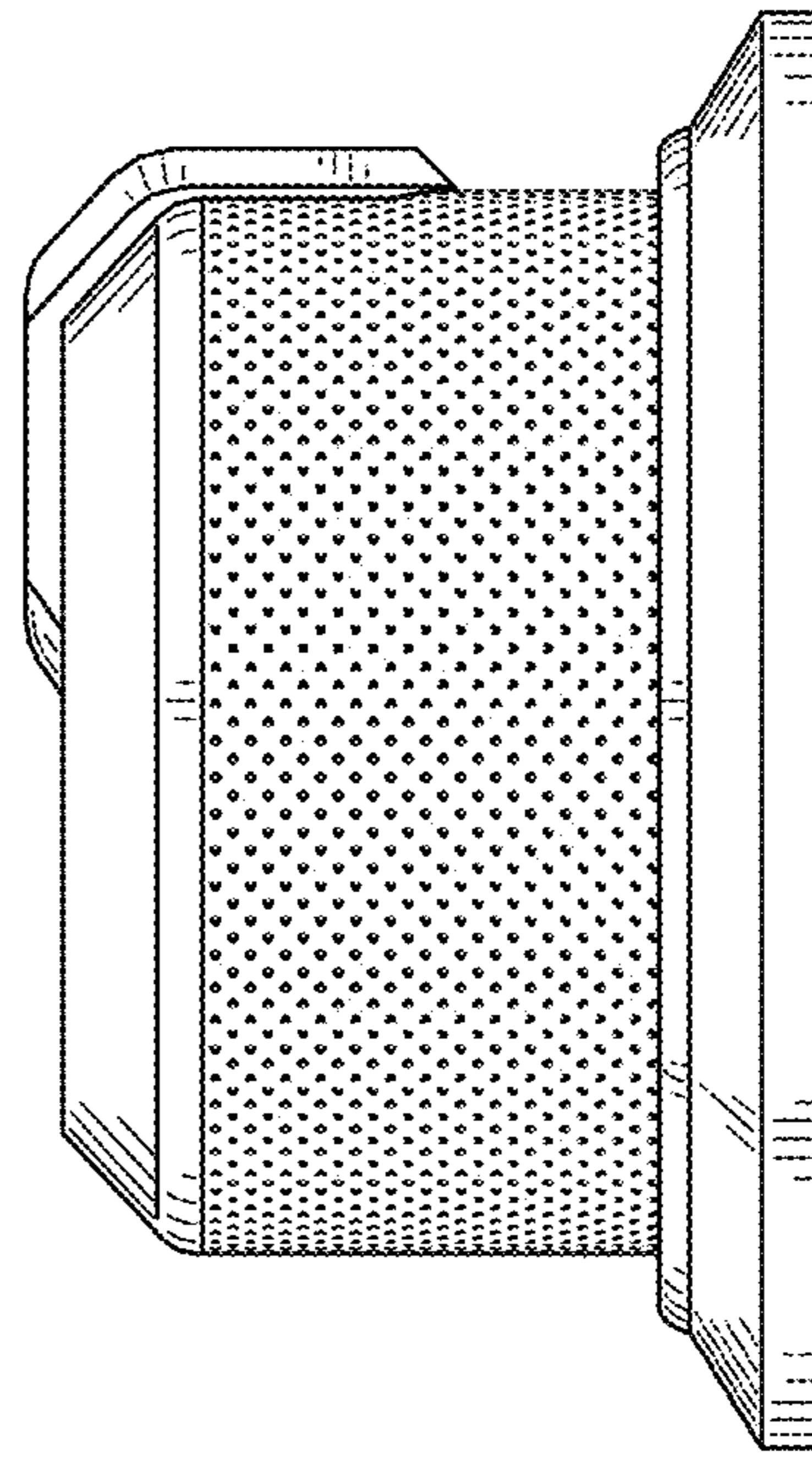


FIG. 11

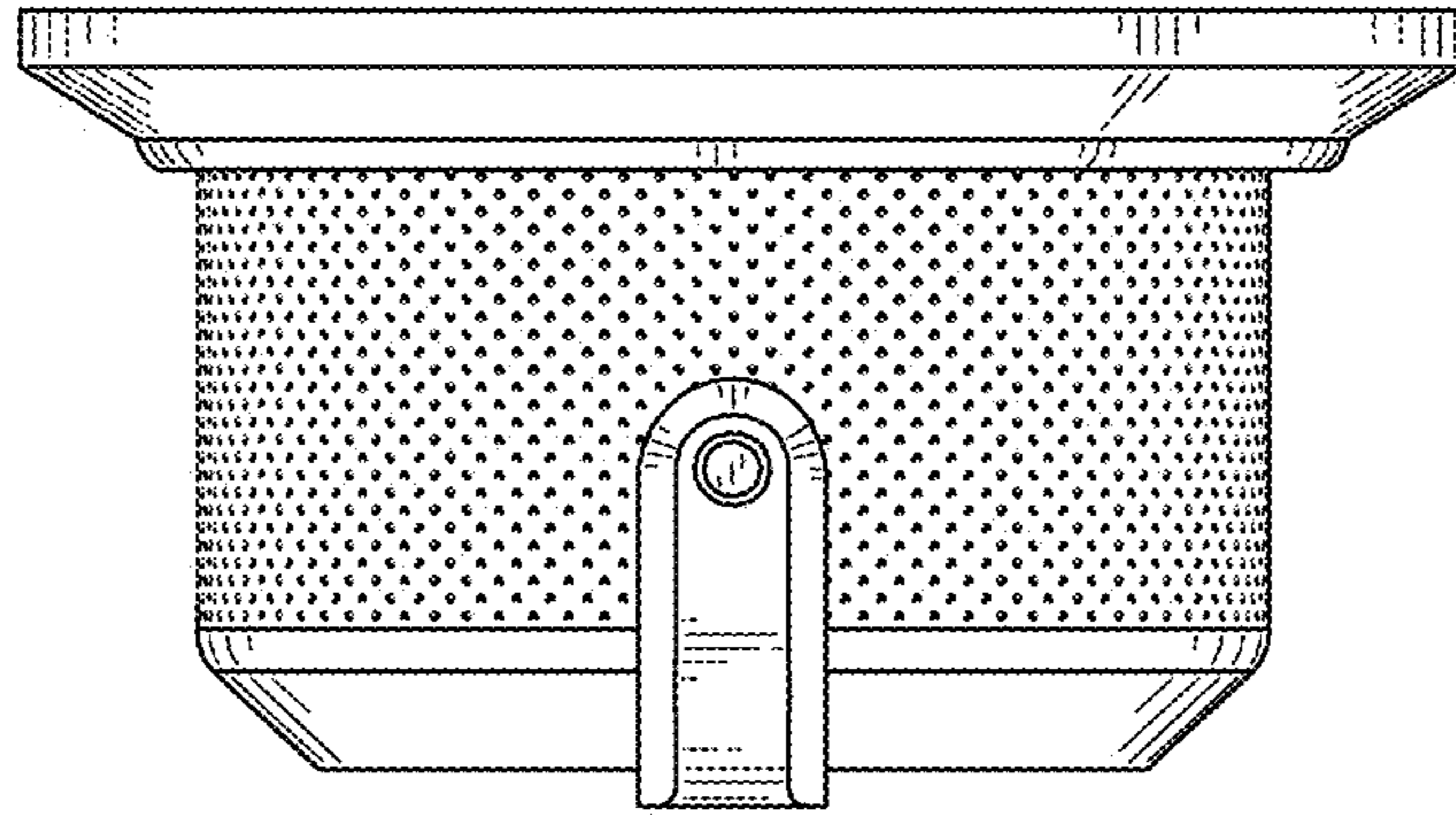


FIG. 12

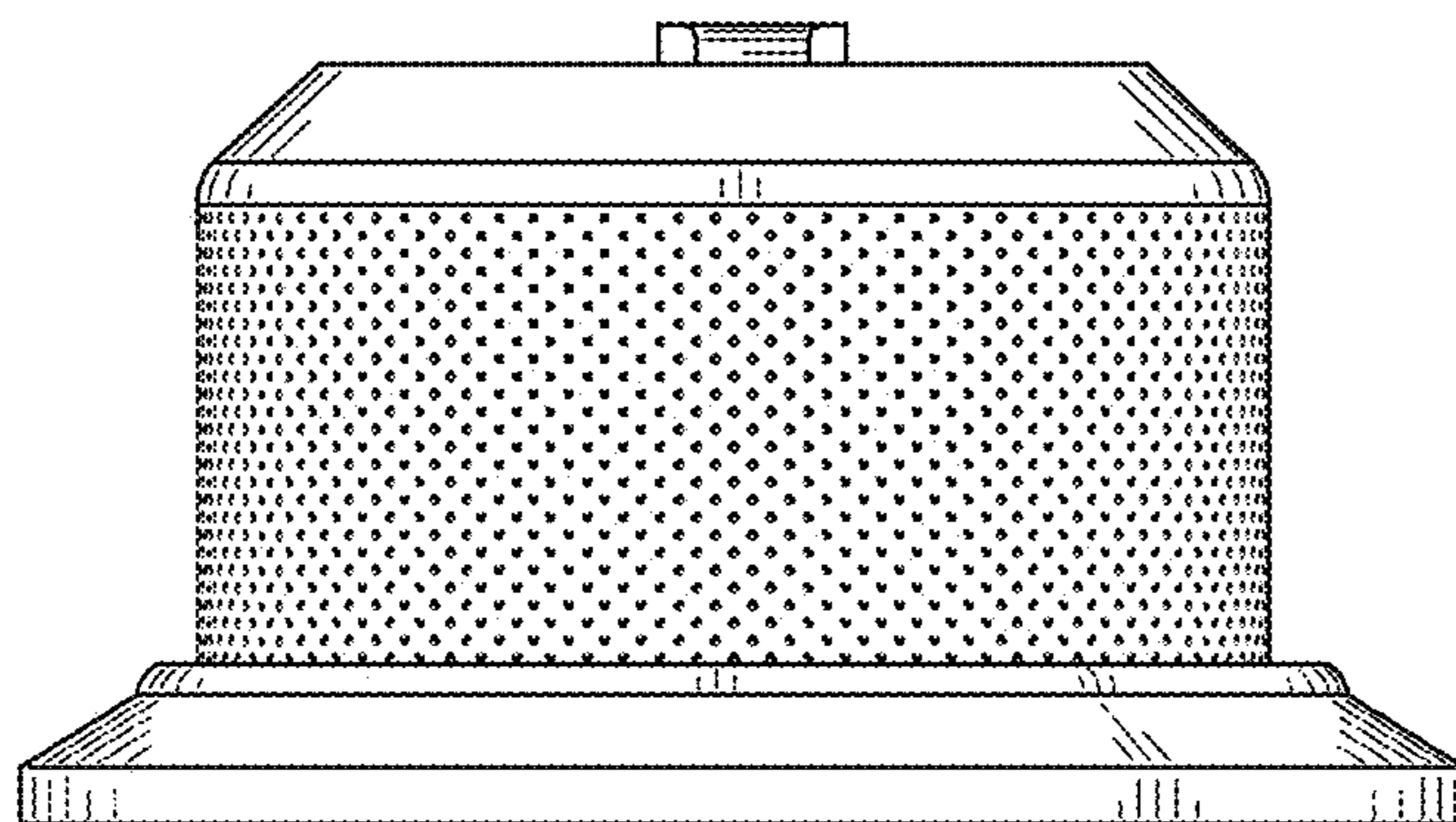


FIG. 13