



US00D918005S

(12) **United States Design Patent**
Hall

(10) **Patent No.:** **US D918,005 S**

(45) **Date of Patent:** **** May 4, 2021**

(54) **DOOR HANDLE**

(71) Applicant: **KINGSWAY ENTERPRISES (UK) LIMITED**, Swanley (GB)

(72) Inventor: **Benjamin Hall**, Swanley (GB)

(73) Assignee: **Kingsway Enterprises (UK) Limited**, Kent (GB)

(**) Term: **15 Years**

(21) Appl. No.: **29/723,808**

(22) Filed: **Feb. 11, 2020**

(30) **Foreign Application Priority Data**

Oct. 9, 2019 (GB) 6073262

(51) **LOC (13) Cl.** **08-06**

(52) **U.S. Cl.**
USPC **D8/302; D8/338**

(58) **Field of Classification Search**

USPC D8/300-302, 330, 331, 338, 341, 343

CPC E05C 1/10; E05C 2007/007; E05C 1/04;

E05C 9/02; Y10T 292/1041; Y10T

292/0806; Y10T 292/1039; Y10T

292/1089; Y10T 292/1092; Y10T

292/1031; Y10T 292/1045; E05B 17/185;

E05B 7/00

See application file for complete search history.

(56) **References Cited**

U.S. PATENT DOCUMENTS

D196,713 S * 10/1963 Ahlgren, III D8/341

D302,651 S * 8/1989 Mosch D8/337

D350,275 S * 9/1994 Olsen D8/338

D489,596 S * 5/2004 Costello D8/338

6,983,963 B2 * 1/2006 Eslick E05B 13/002

292/209

D548,037 S * 8/2007 Ott D8/302

8,205,920 B2 * 6/2012 Flory E05B 13/004

292/241

2008/0012358 A1 * 1/2008 Liang E05C 3/043

292/241

2013/0214545 A1 * 8/2013 Wolf E05B 63/06

292/241

2017/0152688 A1 * 6/2017 Liang E06B 3/5063

* cited by examiner

Primary Examiner — Lauren R Calve

(74) *Attorney, Agent, or Firm* — Erise IP, P.A.

(57) **CLAIM**

The ornamental design for a door handle, as shown and described.

DESCRIPTION

FIG. 1 is a perspective view of a door handle embodying the design;

FIG. 2 is a front view thereof;

FIG. 3 is a back view thereof;

FIG. 4 is a left side view thereof;

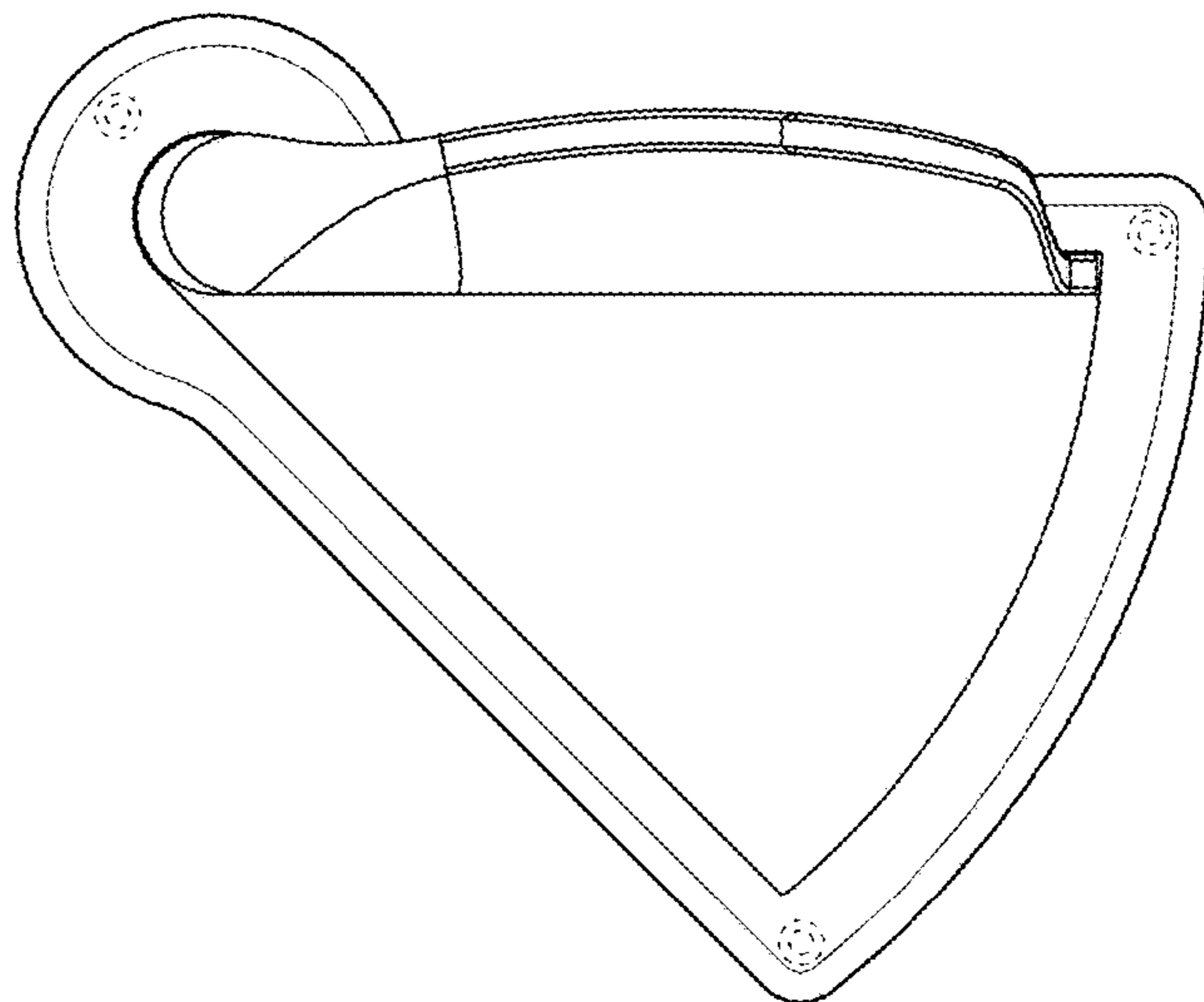
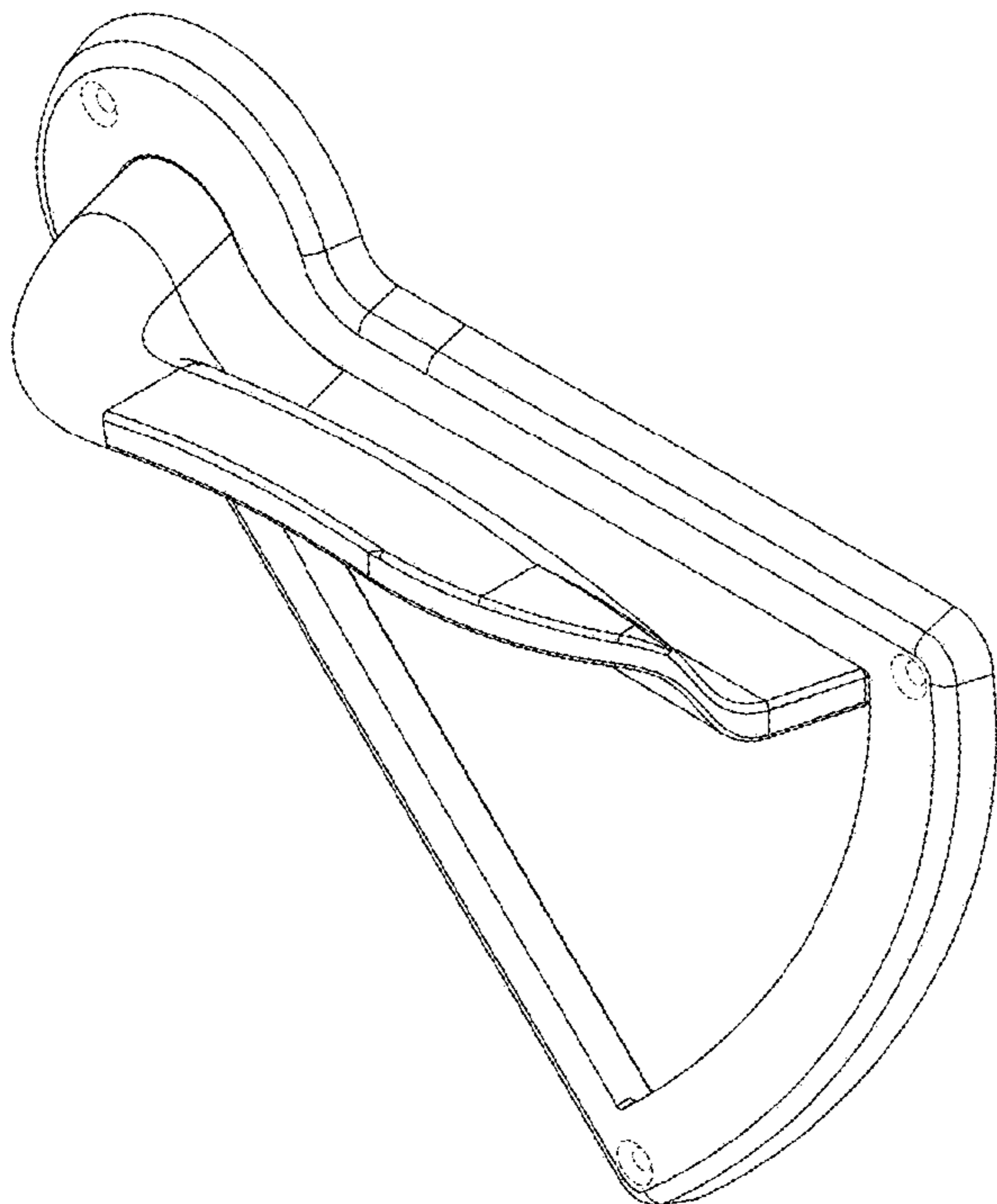
FIG. 5 is a right side view thereof;

FIG. 6 is a top view thereof; and,

FIG. 7 is a bottom view thereof.

The broken lines are for the purpose of illustrating portions of the door handle that form no part of the claimed design.

1 Claim, 7 Drawing Sheets



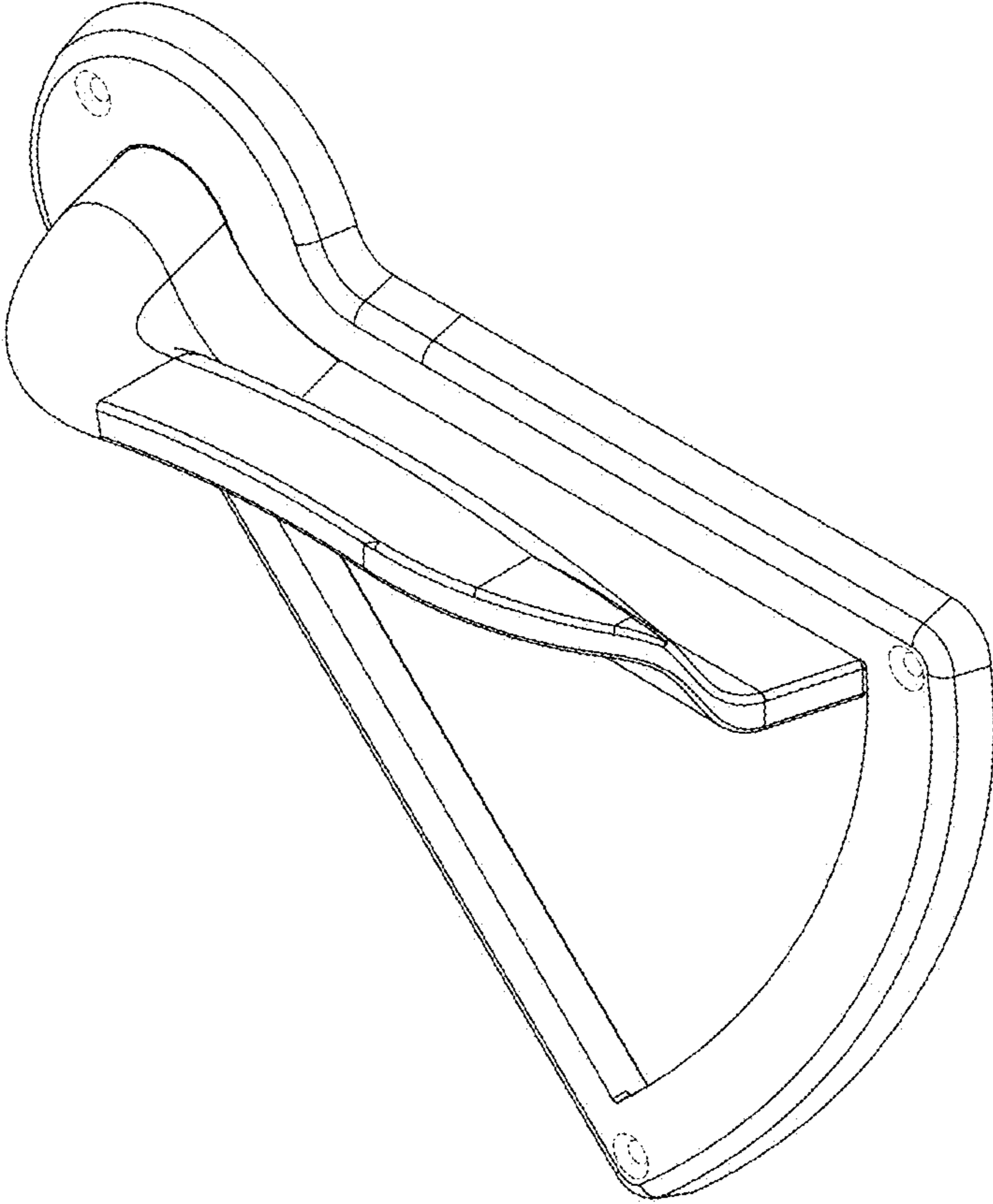


FIG. 1

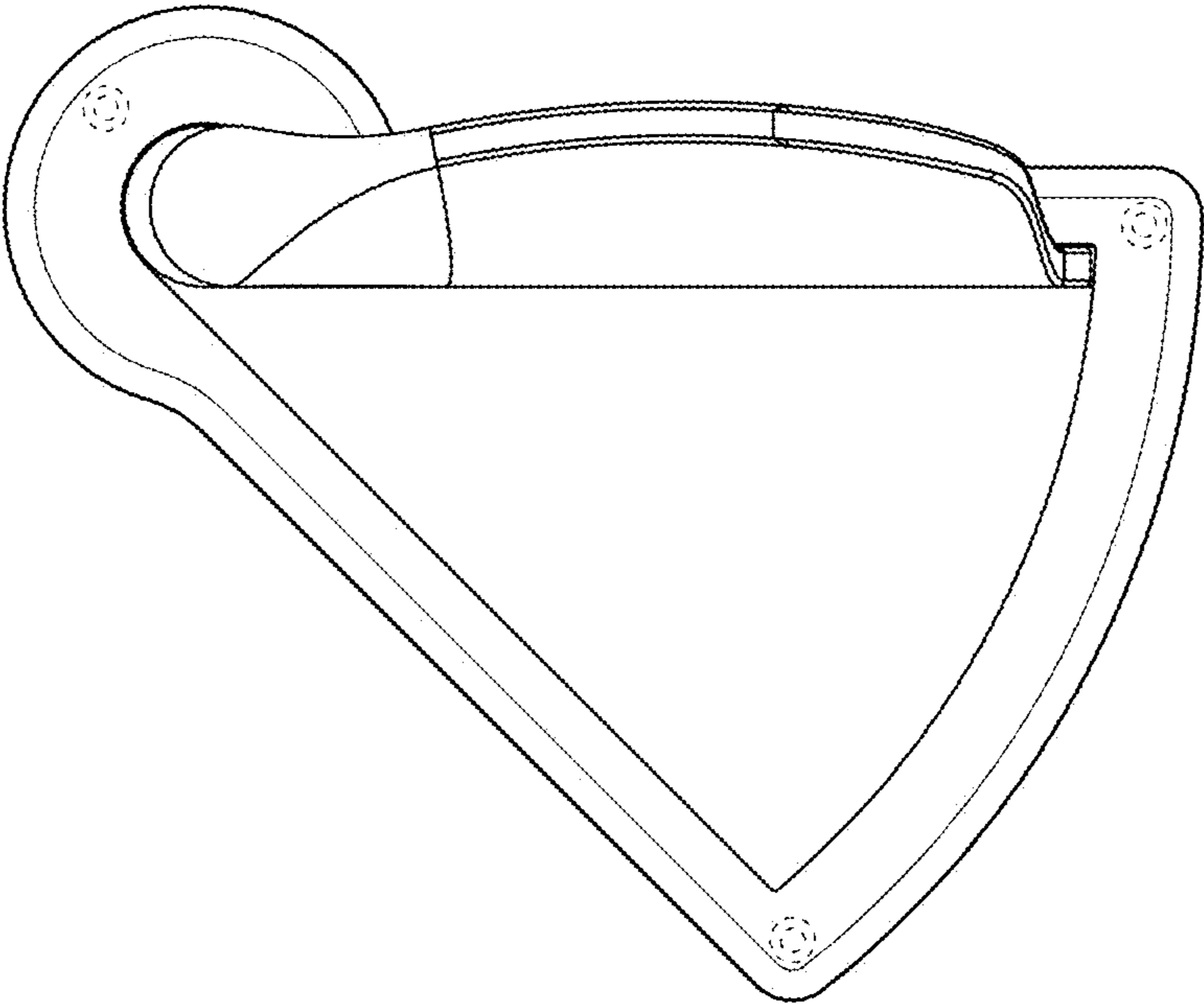


FIG. 2

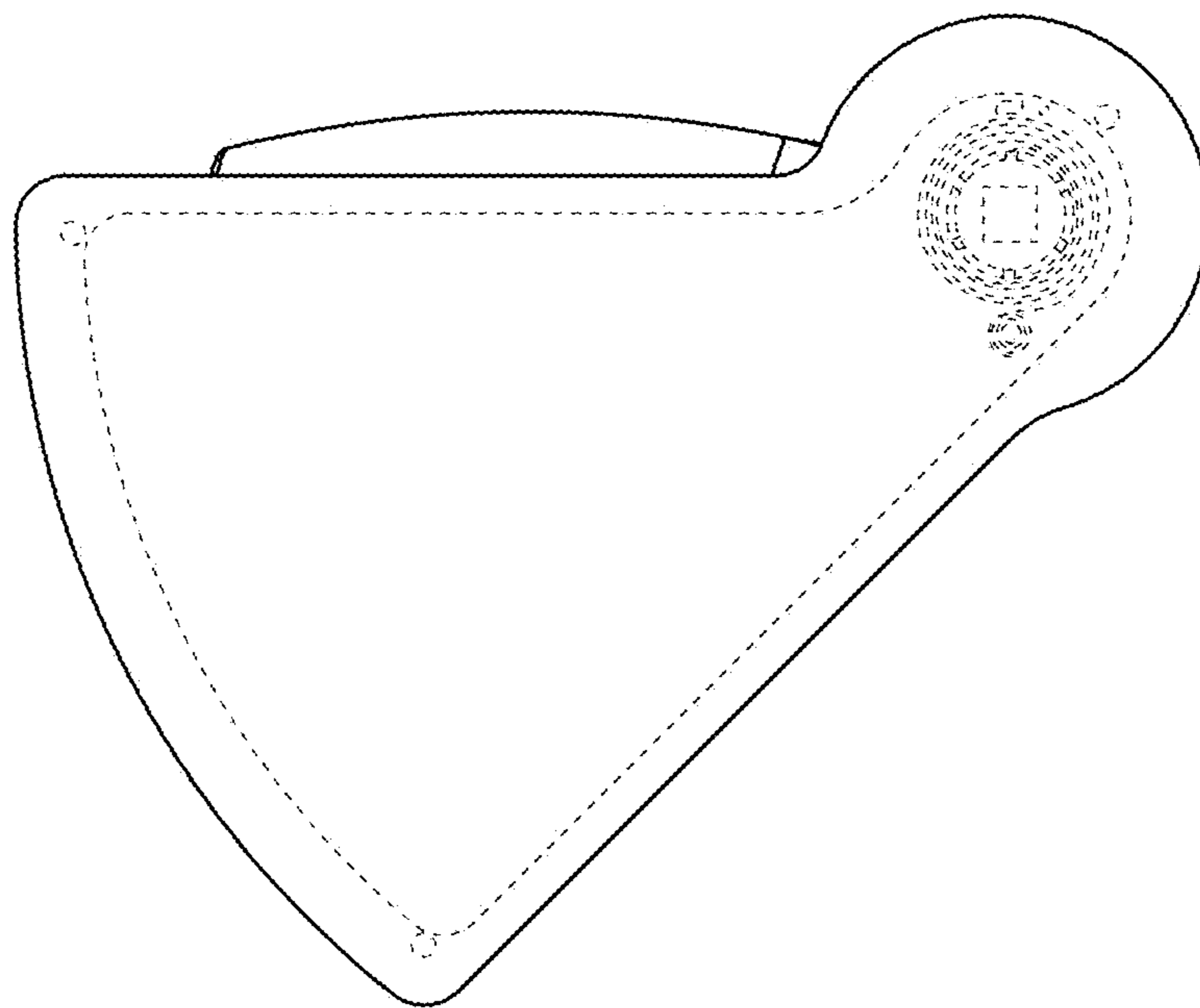


FIG. 3

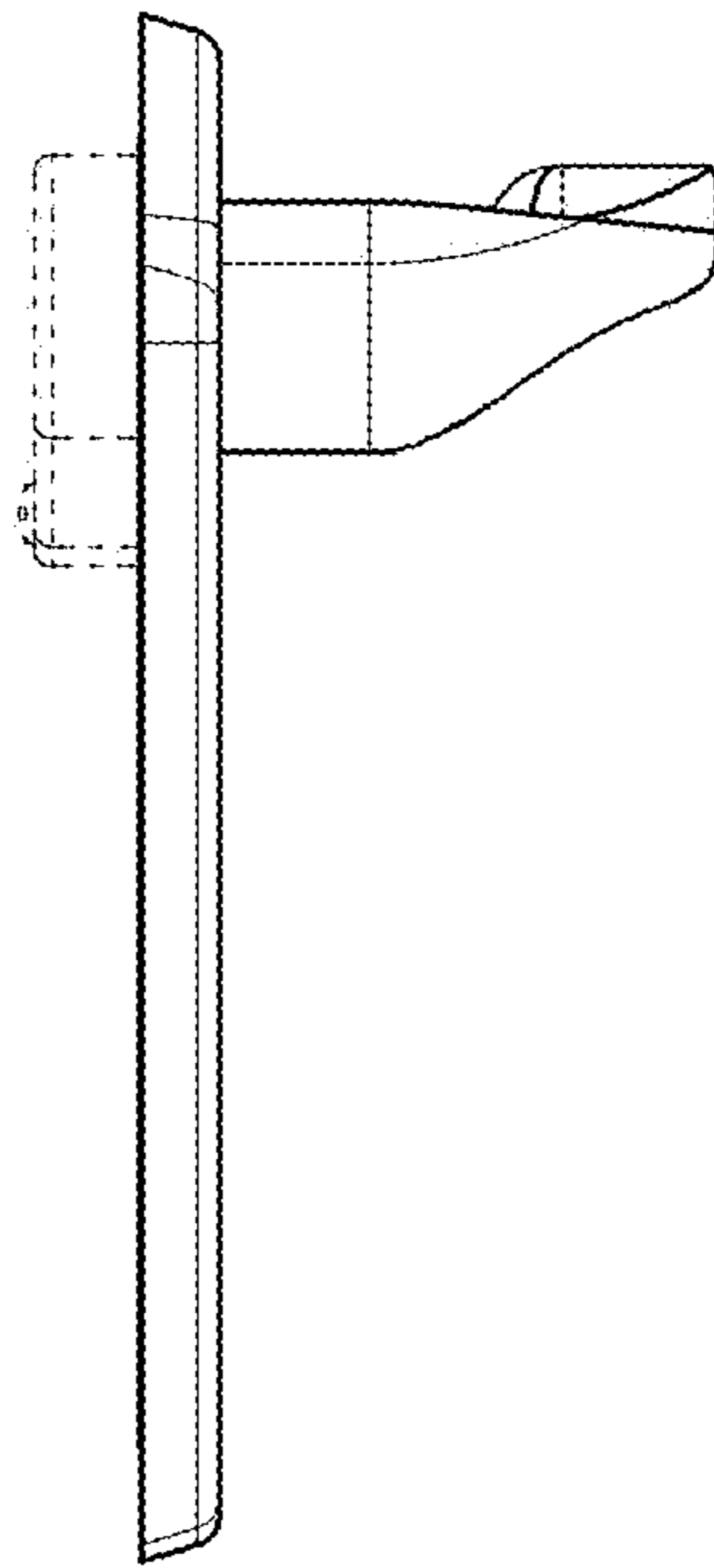


FIG. 4

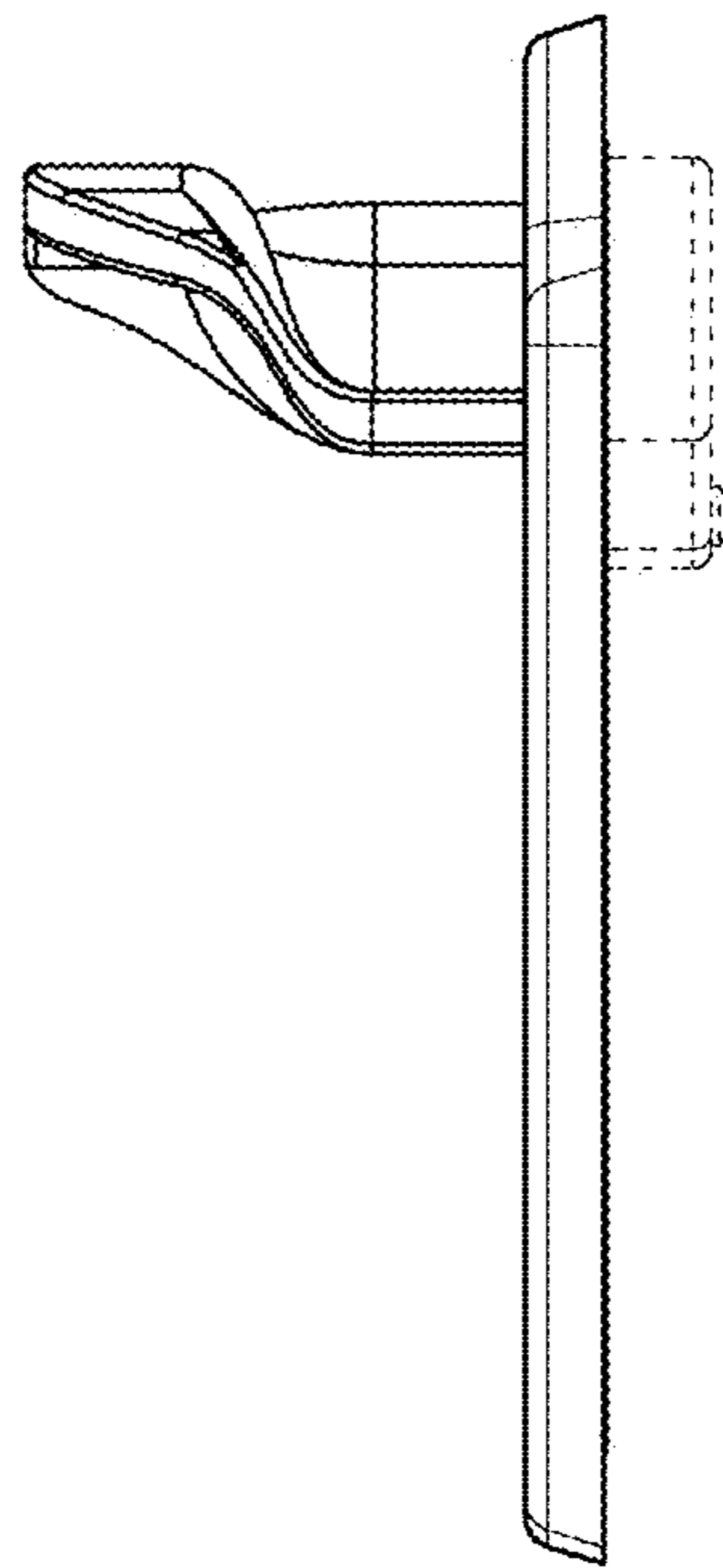


FIG. 5

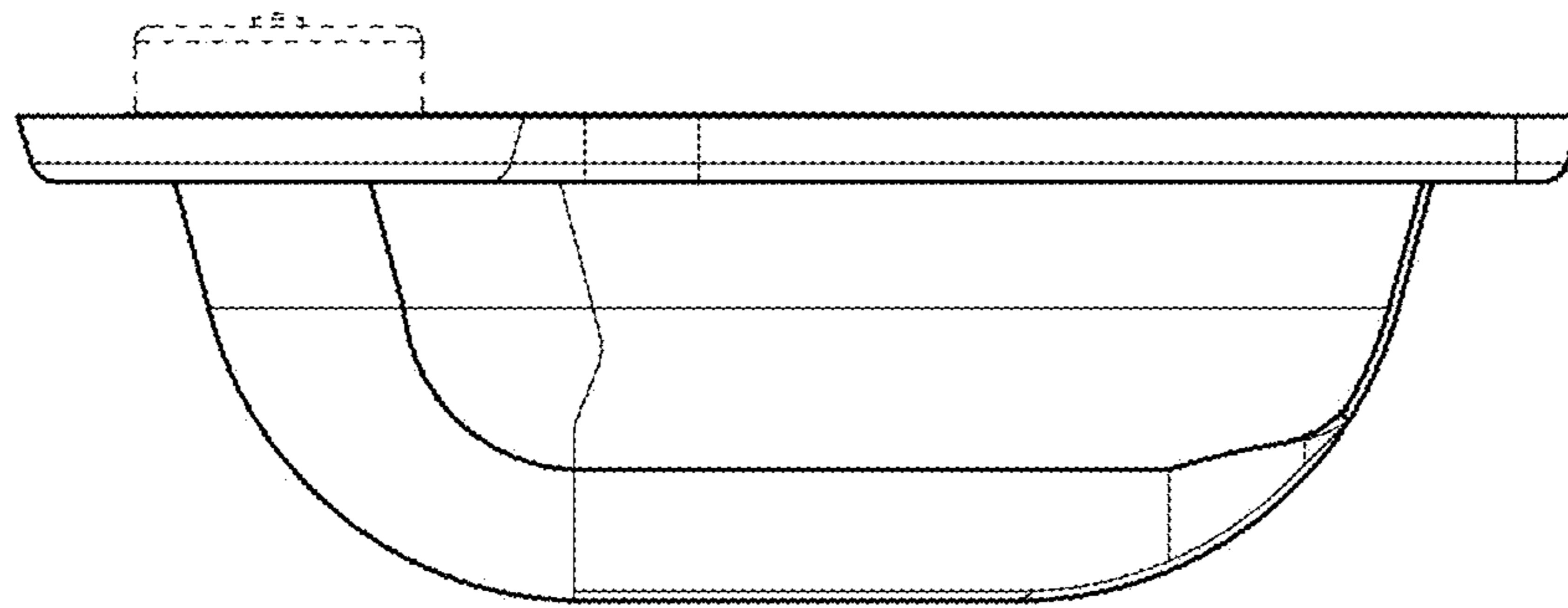


FIG. 6

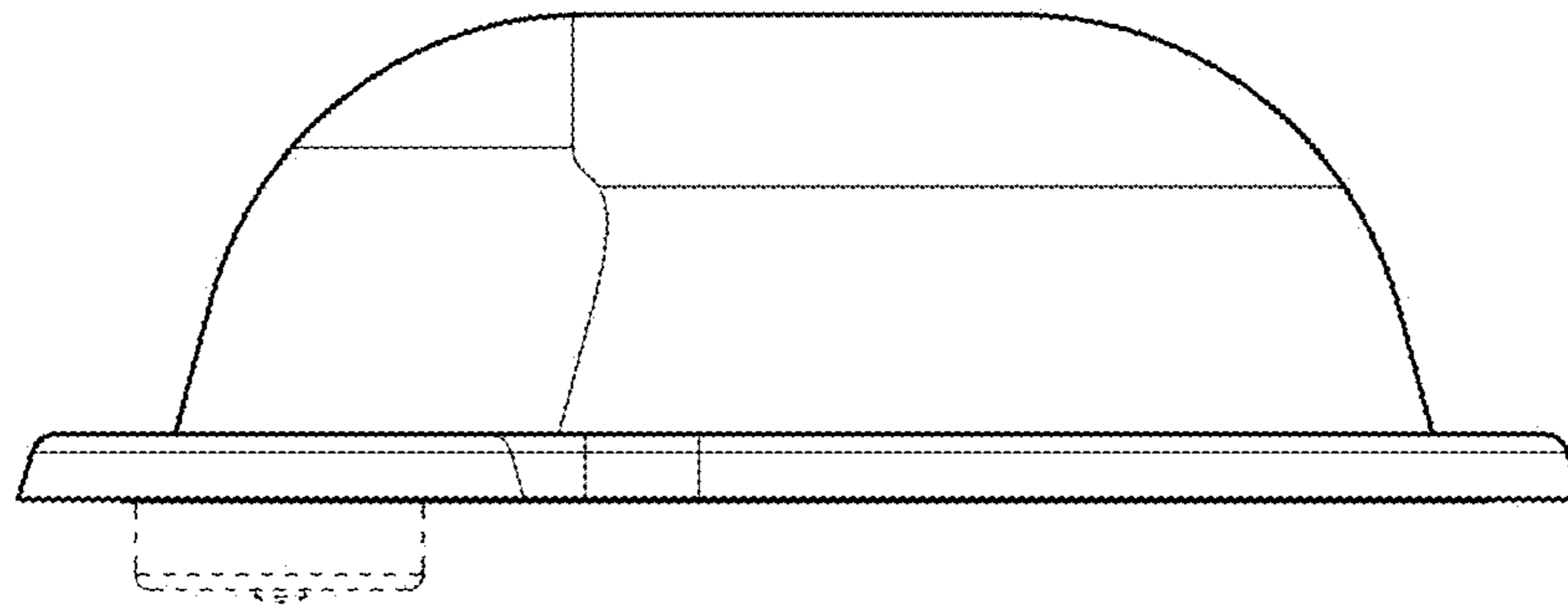


FIG. 7