



US00D918004S

(12) **United States Design Patent**
Thompson

(10) **Patent No.:** **US D918,004 S**

(45) **Date of Patent:** **** May 4, 2021**

(54) **HAND TOOL**

(71) Applicant: **BLACK & DECKER INC.**, New Britain, CT (US)

(72) Inventor: **Samuel P. Thompson**, Newcastle Upon Tyne (GB)

(73) Assignee: **BLACK & DECKER INC.**, New Britain, CT (US)

(**) Term: **15 Years**

(21) Appl. No.: **29/715,351**

(22) Filed: **Dec. 2, 2019**

(51) **LOC (13) Cl.** **08-04**

(52) **U.S. Cl.**
USPC **D8/107; D8/83**

(58) **Field of Classification Search**
USPC D8/14, 51, 82, 3, 84, 85, 105, 107, 300;
D7/395; D24/133; D32/46, 49
CPC B25B 15/02; B25B 15/04; B25B 15/06;
B25B 1/025; B25B 1/005; B25B 1/085;
B25G 1/005; B25G 1/025; B25G 1/105;
B25G 1/063

See application file for complete search history.

(56) **References Cited**

U.S. PATENT DOCUMENTS

D419,846 S * 2/2000 Hasan D8/83
D422,475 S * 4/2000 Su D8/107
D520,325 S * 5/2006 Su D8/83

D554,967 S * 11/2007 Lin D8/107
D616,277 S * 5/2010 Molina D8/82
D640,144 S * 6/2011 Tonohori D10/32
D645,717 S * 9/2011 Ou D8/83
D656,806 S * 4/2012 Molina D8/83
D753,978 S * 4/2016 Ranieri D8/83
D811,190 S * 2/2018 Ou D8/83
D819,423 S * 6/2018 Anderson D8/83
D889,234 S * 7/2020 Johnson D8/83
2017/0197299 A1 * 7/2017 Sun B25B 23/16

* cited by examiner

Primary Examiner — Philip S Hyder

(74) *Attorney, Agent, or Firm* — Adan Ayala

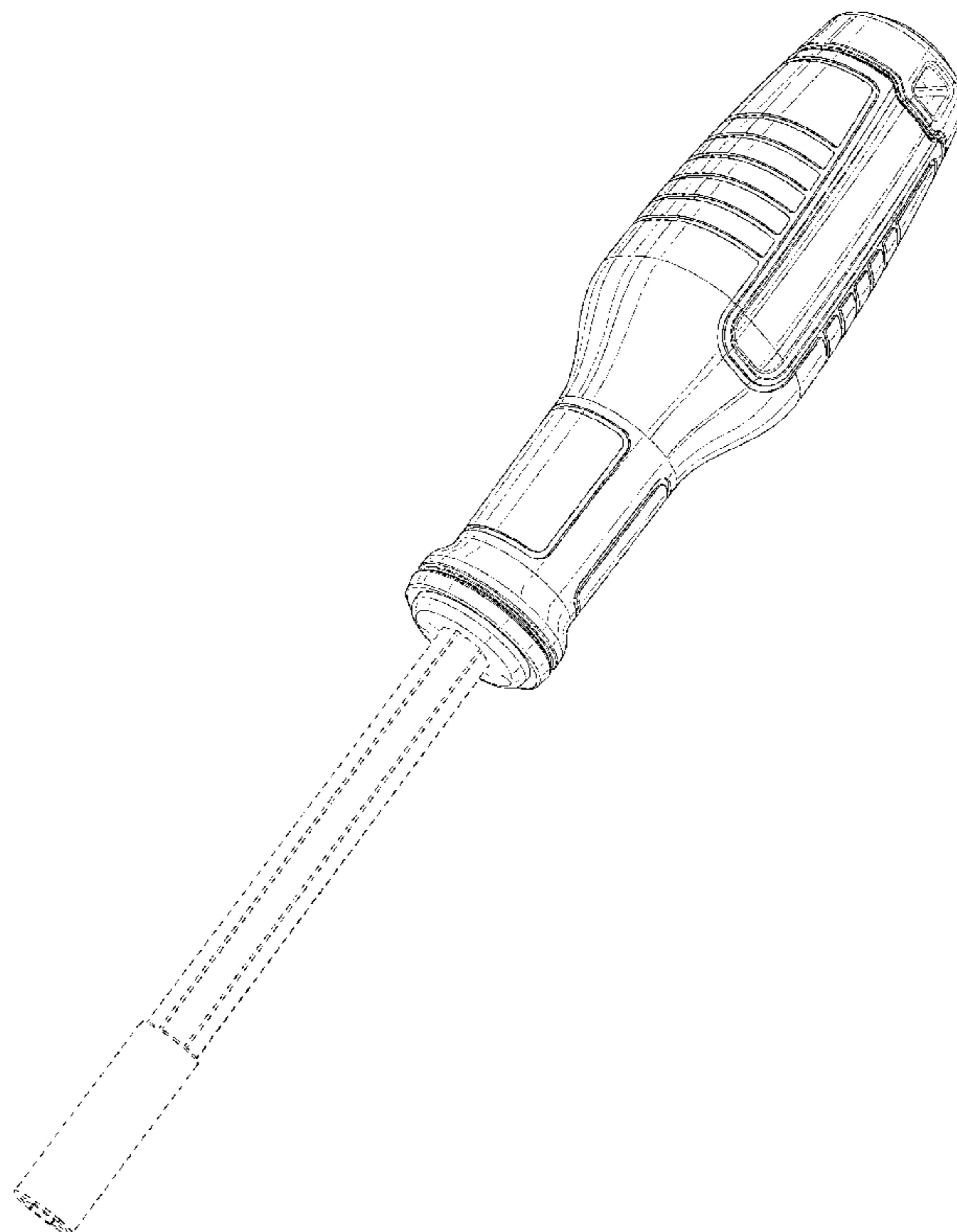
(57) **CLAIM**

The ornamental design for a hand tool, as shown and described.

DESCRIPTION

FIG. 1 is a front perspective view of the hand tool showing the new design;
FIG. 2 is a rear perspective view of the hand tool of FIG. 1;
FIG. 3 is a front elevation view of the hand tool of FIG. 1;
FIG. 4 is a rear elevation view of the hand tool of FIG. 1;
FIG. 5 is a left side elevation view of the hand tool of FIG. 1;
FIG. 6 is a right side elevation view of the hand tool of FIG. 1;
FIG. 7 is a top plan view of the hand tool of FIG. 1; and,
FIG. 8 is a bottom plan view of the hand tool of FIG. 1.
The broken line showing of portions of the hand tool are not part of the claimed design.

1 Claim, 7 Drawing Sheets



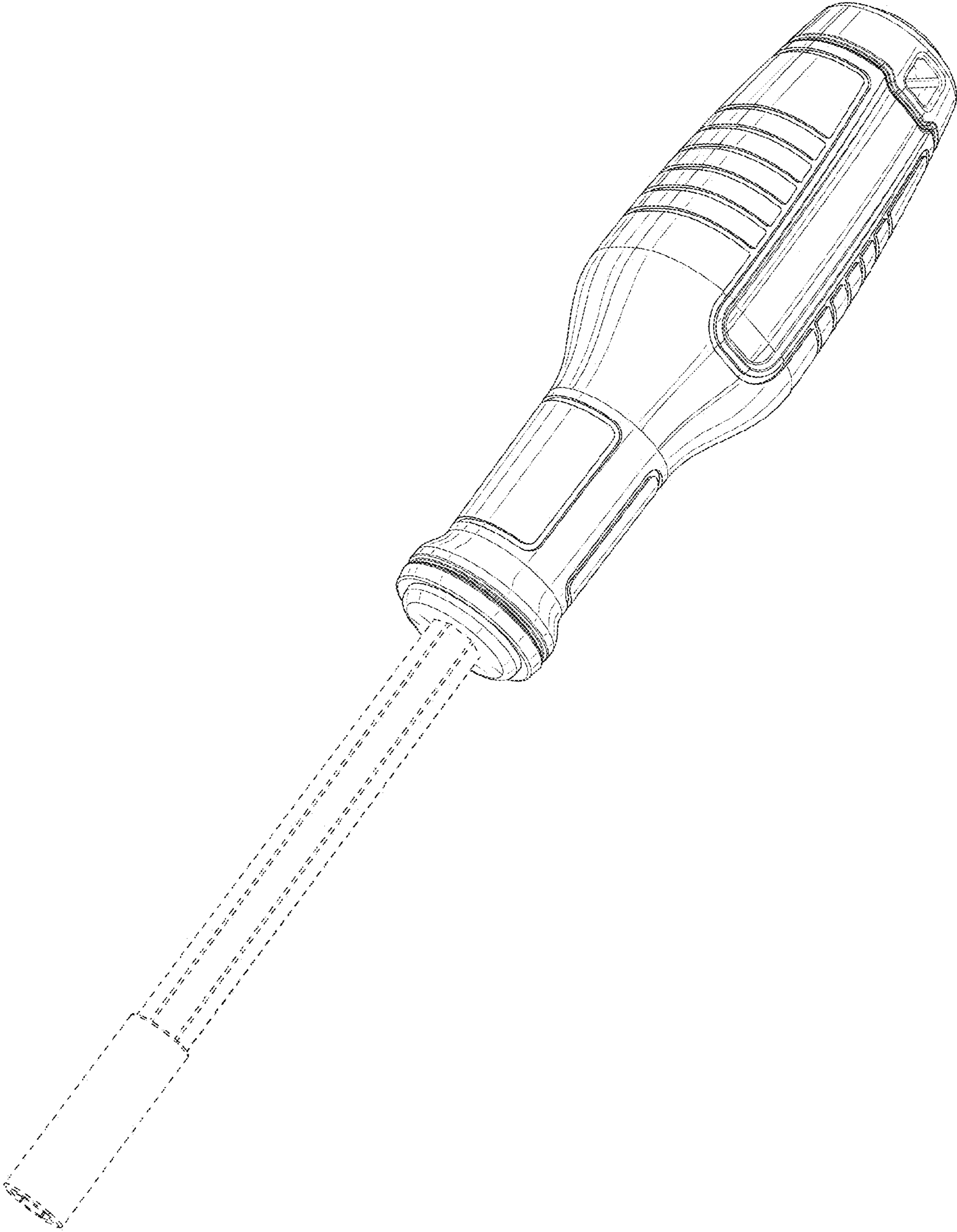


FIG. 1

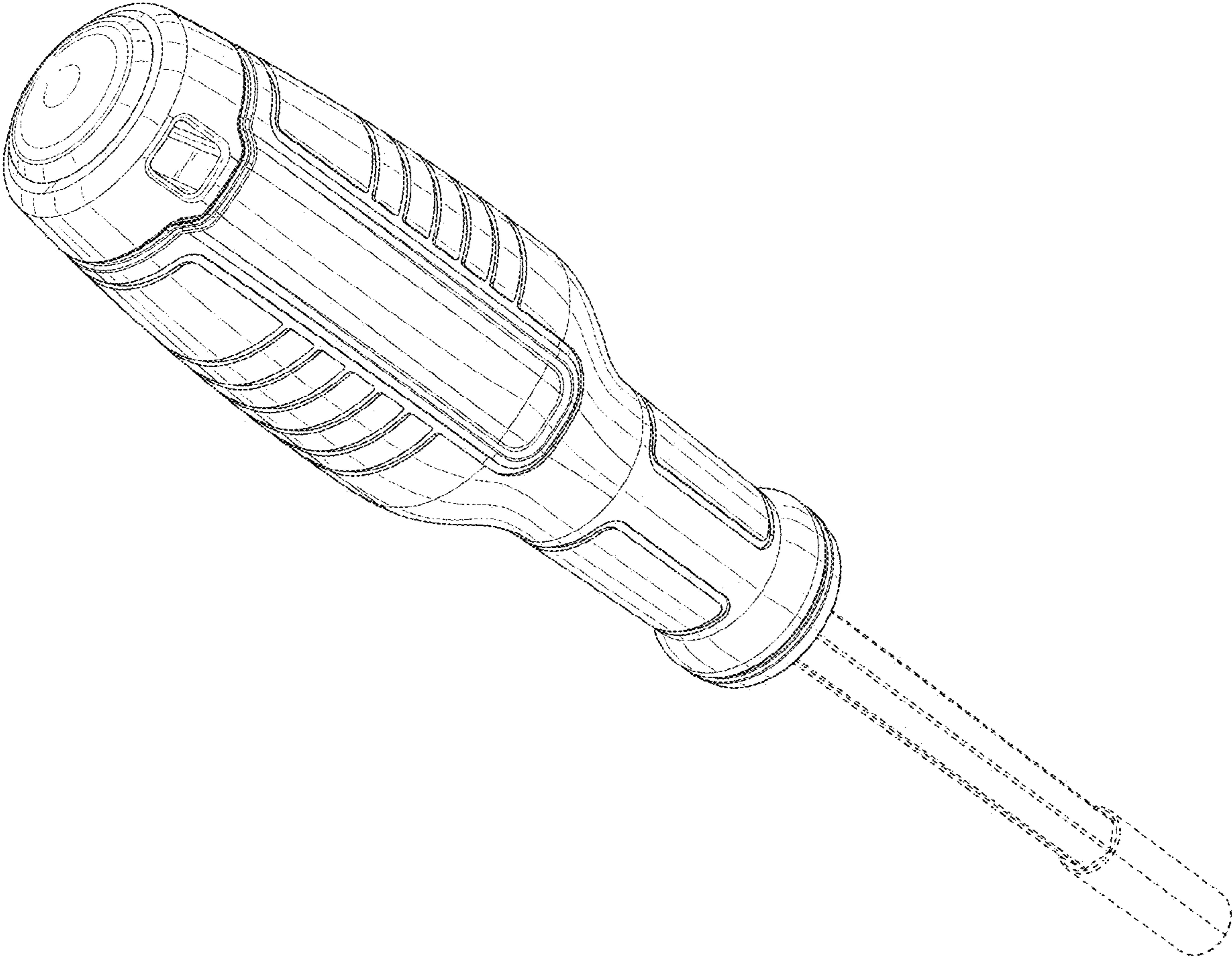


FIG. 2

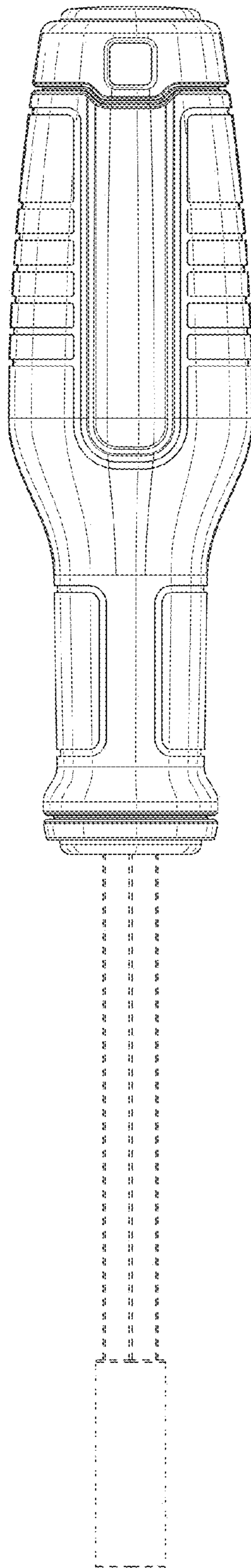


FIG. 3

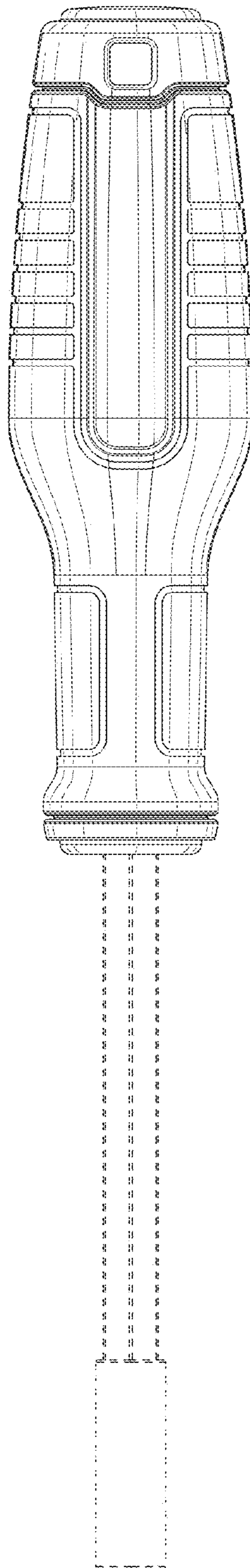


FIG. 4

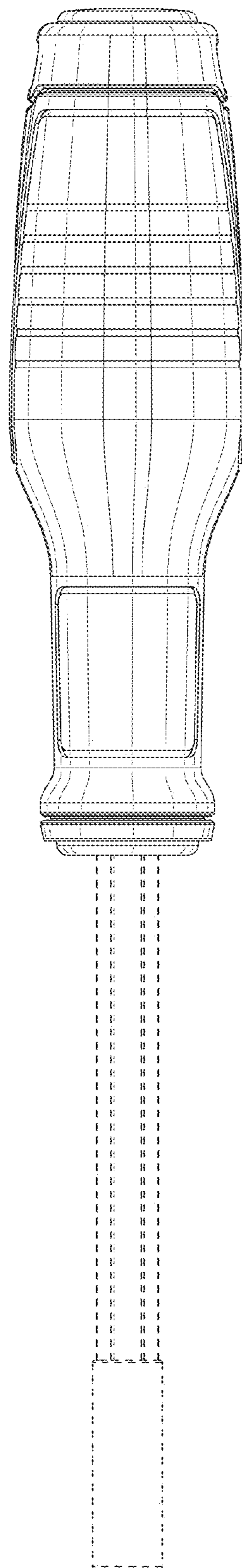


FIG. 5

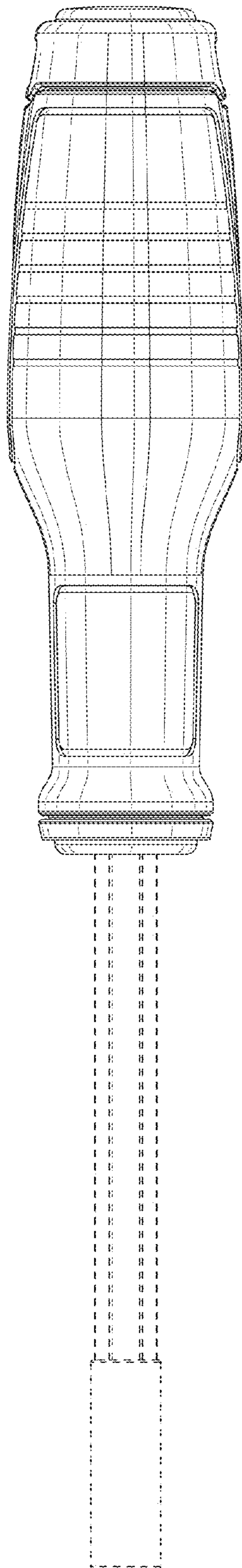


FIG. 6

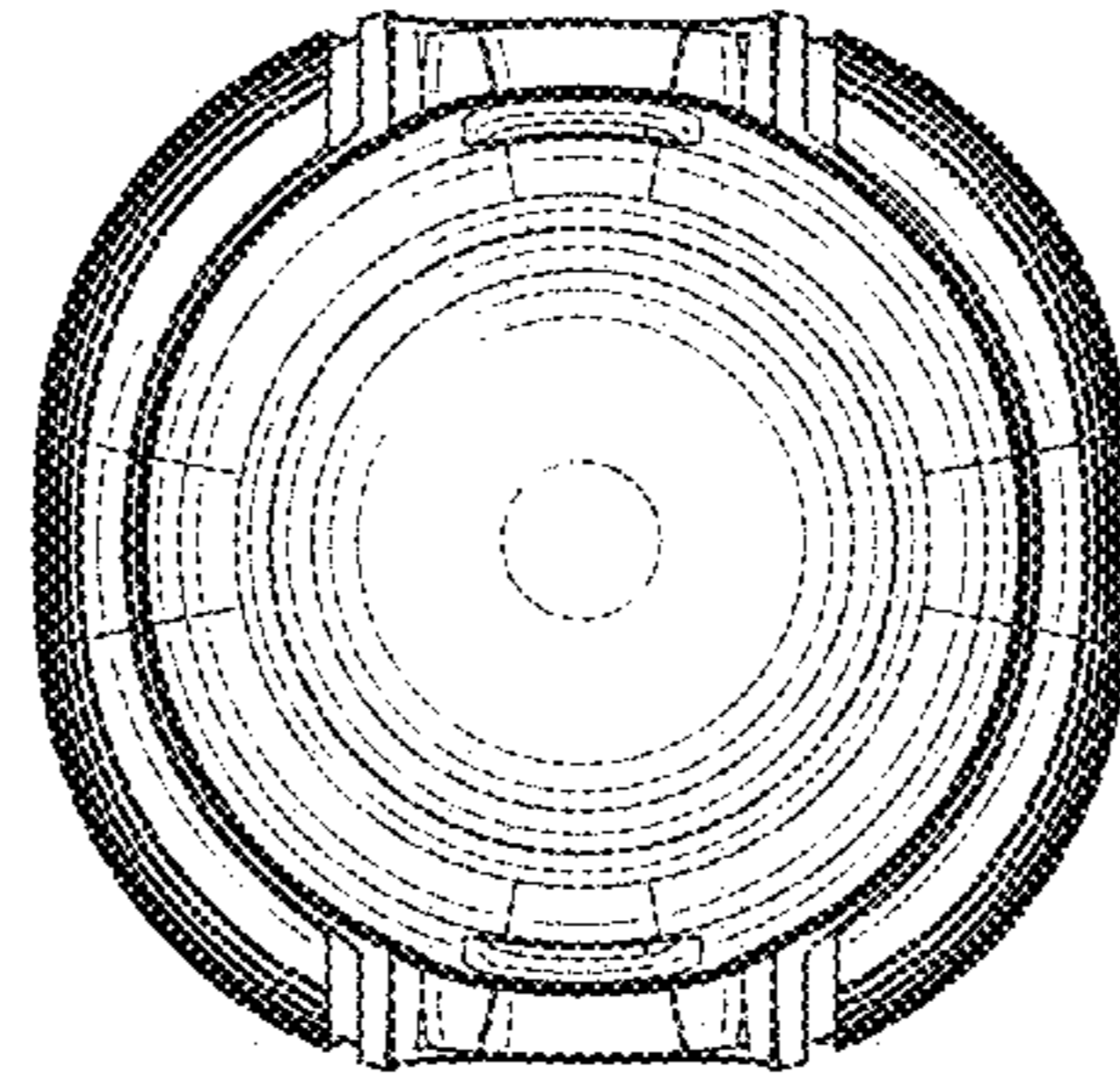


FIG. 7

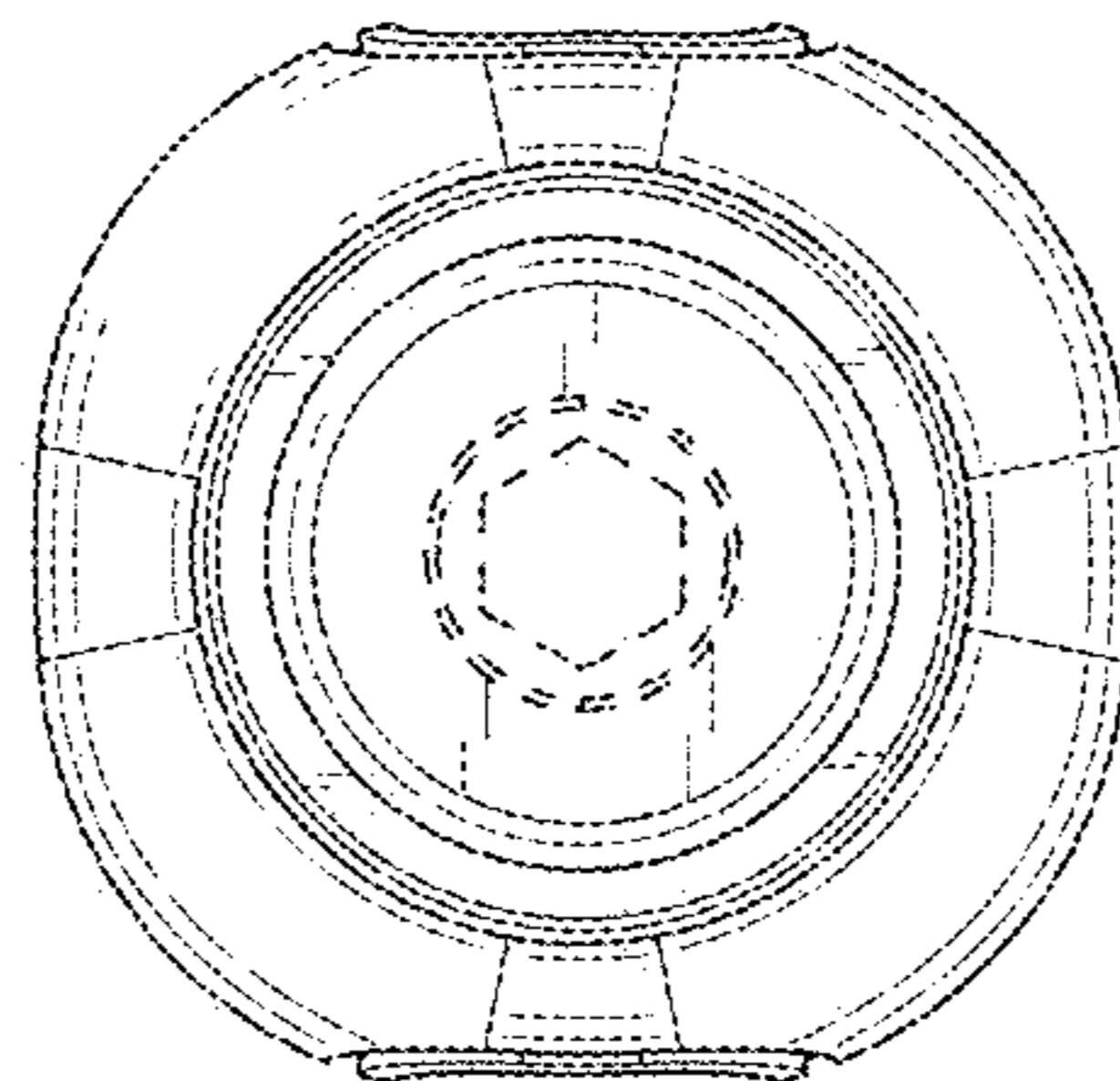


FIG. 8