



US00D918000S

(12) **United States Design Patent** (10) **Patent No.:** **US D918,000 S**  
**Chen et al.** (45) **Date of Patent:** **\*\* May 4, 2021**

(54) **ECCENTRIC BLOCK DEVICE**  
(71) Applicants: **YongKang HaoWei Tools Co., Ltd.,**  
**YongKang (CN); Griot's Garage Inc.,**  
**Tacoma, WA (US)**  
(72) Inventors: **Yingjie Chen, YongKang (CN); Jeffrey**  
**Lee Brown, Tacoma, WA (US)**  
(73) Assignee: **YongKang HaoWei Tools Co., Ltd.,**  
**YongKang (CN)**

D646,539 S \* 10/2011 Maras ..... D8/70  
D646,540 S \* 10/2011 Maras ..... D8/70  
D646,542 S \* 10/2011 Wackwitz ..... D8/70  
D708,497 S \* 7/2014 Hoglund ..... D8/70  
D719,197 S \* 12/2014 Tsuchiya ..... D15/138  
D738,177 S \* 9/2015 Finnas ..... D8/70  
D738,178 S \* 9/2015 Eisinger ..... D8/70  
D740,637 S \* 10/2015 Finnas ..... D8/70  
D765,328 S \* 8/2016 Brown ..... D32/40  
D845,359 S \* 4/2019 Geldenhuys ..... D15/138  
D859,481 S \* 9/2019 Nishimiya ..... D15/130  
D871,877 S \* 1/2020 Terris ..... D8/70  
D880,266 S \* 4/2020 Knowlton ..... D8/70

(\*\*) Term: **15 Years**

\* cited by examiner

(21) Appl. No.: **29/702,275**

*Primary Examiner* — Michael C Stout

(22) Filed: **Aug. 18, 2019**

*Assistant Examiner* — Fritzgerald L Butac

(51) **LOC (13) Cl.** ..... **08-05**

(74) *Attorney, Agent, or Firm* — Zhihua Han; WEN IP  
LLC

(52) **U.S. Cl.**  
USPC ..... **D8/70**

(57) **CLAIM**

(58) **Field of Classification Search**  
USPC ..... D8/61, 62, 66, 70; D15/122, 127, 138,  
D15/139, 140, 141, 143; D32/19  
CPC ..... H02K 7/06; H02K 7/065; H02K 7/075  
See application file for complete search history.

We claim the ornamental design for the eccentric block device, as shown and described.

**DESCRIPTION**

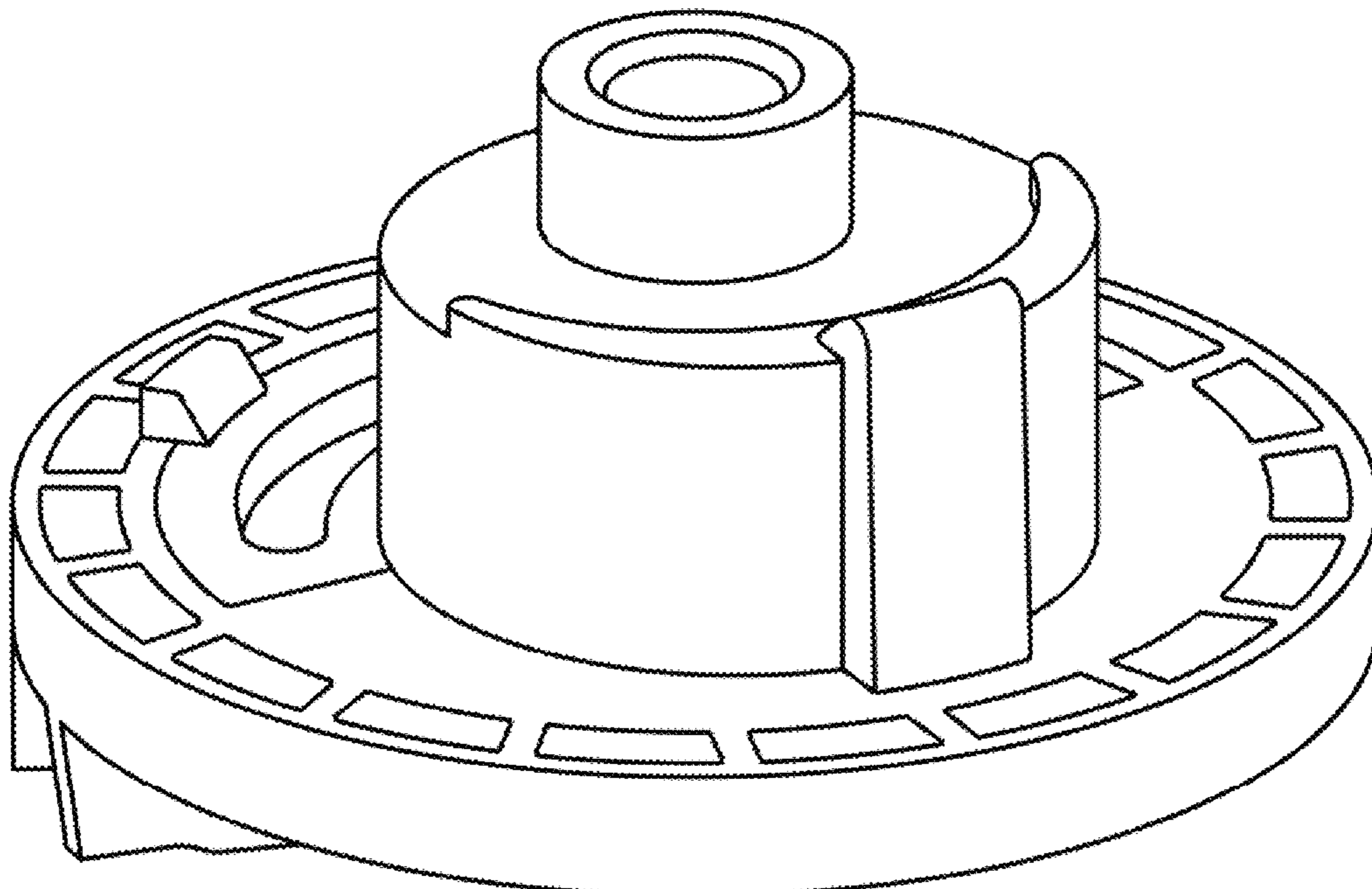
(56) **References Cited**

U.S. PATENT DOCUMENTS

D275,617 S \* 9/1984 Pichelman ..... D32/25  
D283,590 S \* 4/1986 Ibaraki ..... D8/62  
D377,362 S \* 1/1997 Mihailovic ..... D15/126  
D415,664 S \* 10/1999 Rapoport ..... D8/21  
D424,076 S \* 5/2000 Dibbern ..... D15/140  
D463,965 S \* 10/2002 Lee ..... D15/126  
D476,119 S \* 6/2003 Boyer ..... D32/15  
D520,688 S \* 5/2006 Bakker ..... D32/19  
D579,296 S \* 10/2008 Popov ..... D8/70

FIG. 1 is a prospective view of the eccentric block device showing our new design;  
FIG. 2 is a front elevational view thereof;  
FIG. 3 is a rear elevational view thereof;  
FIG. 4 is a left side elevational view thereof;  
FIG. 5 is a right side elevational view thereof;  
FIG. 6 is a top plan view thereof;  
FIG. 7 is a bottom plan view thereof; and,  
FIG. 8 is another prospective view thereof.  
The broken lines show portions of an eccentric block device which form no part of the claimed design.

**1 Claim, 8 Drawing Sheets**



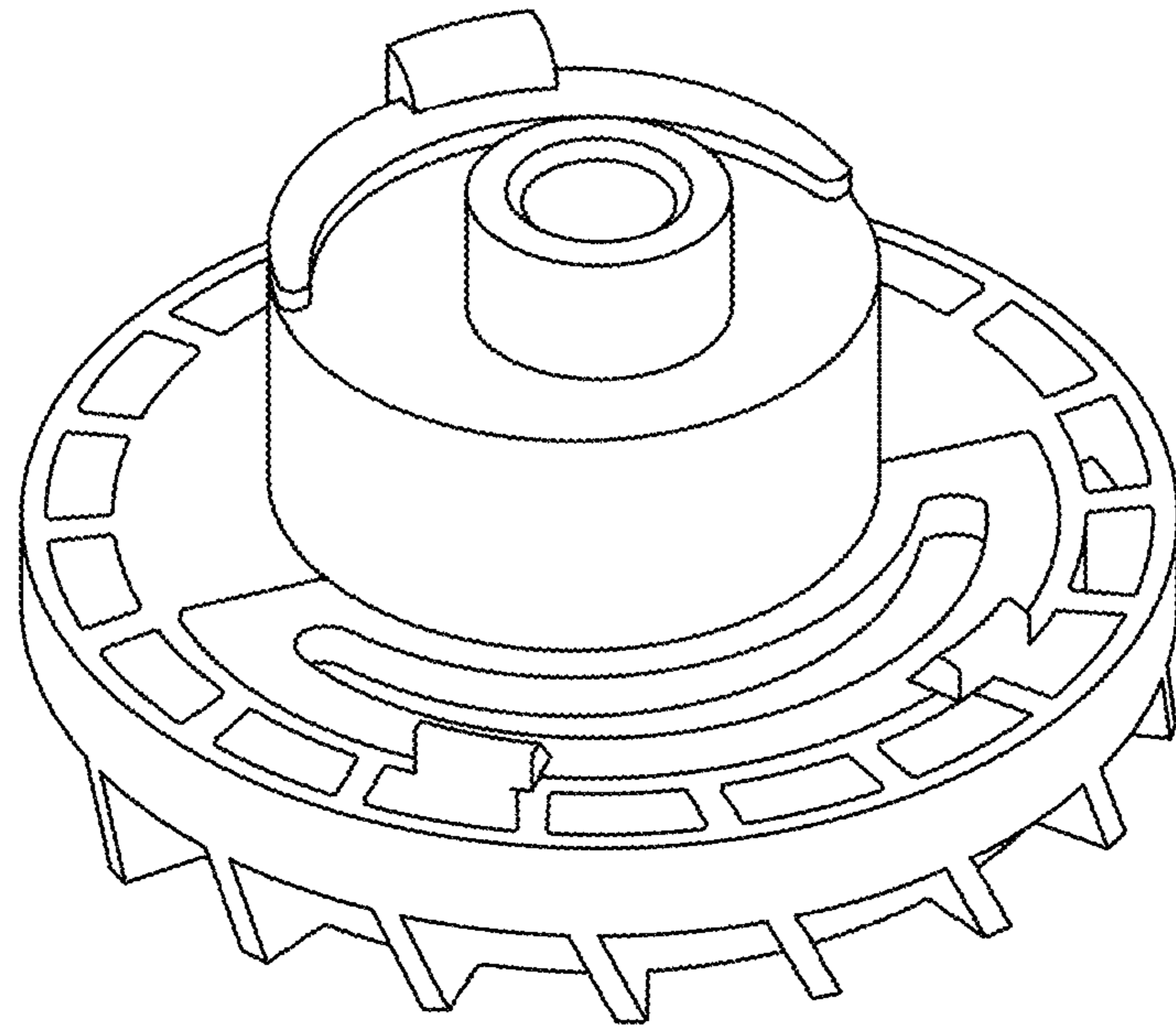


FIG. 1

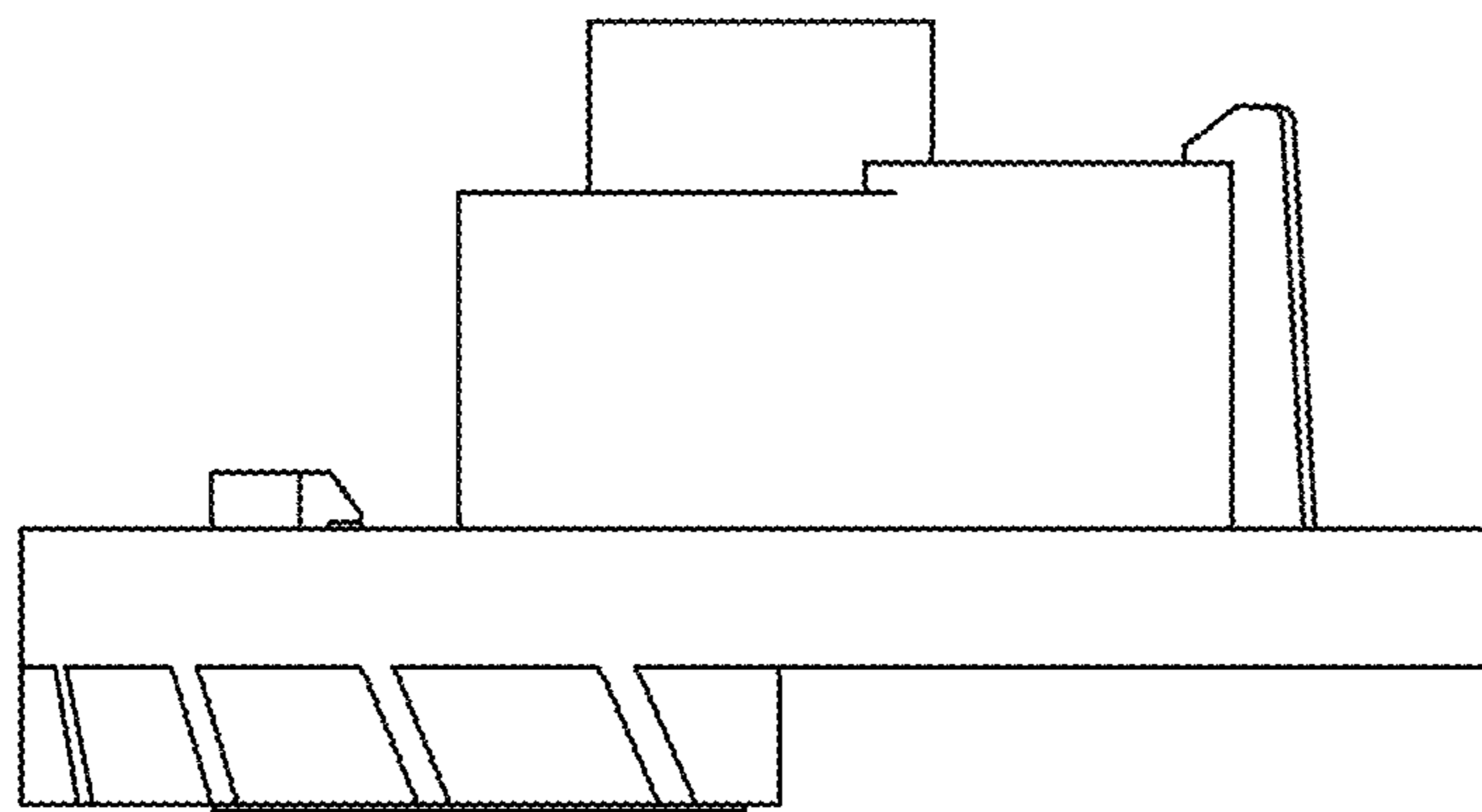


FIG. 2

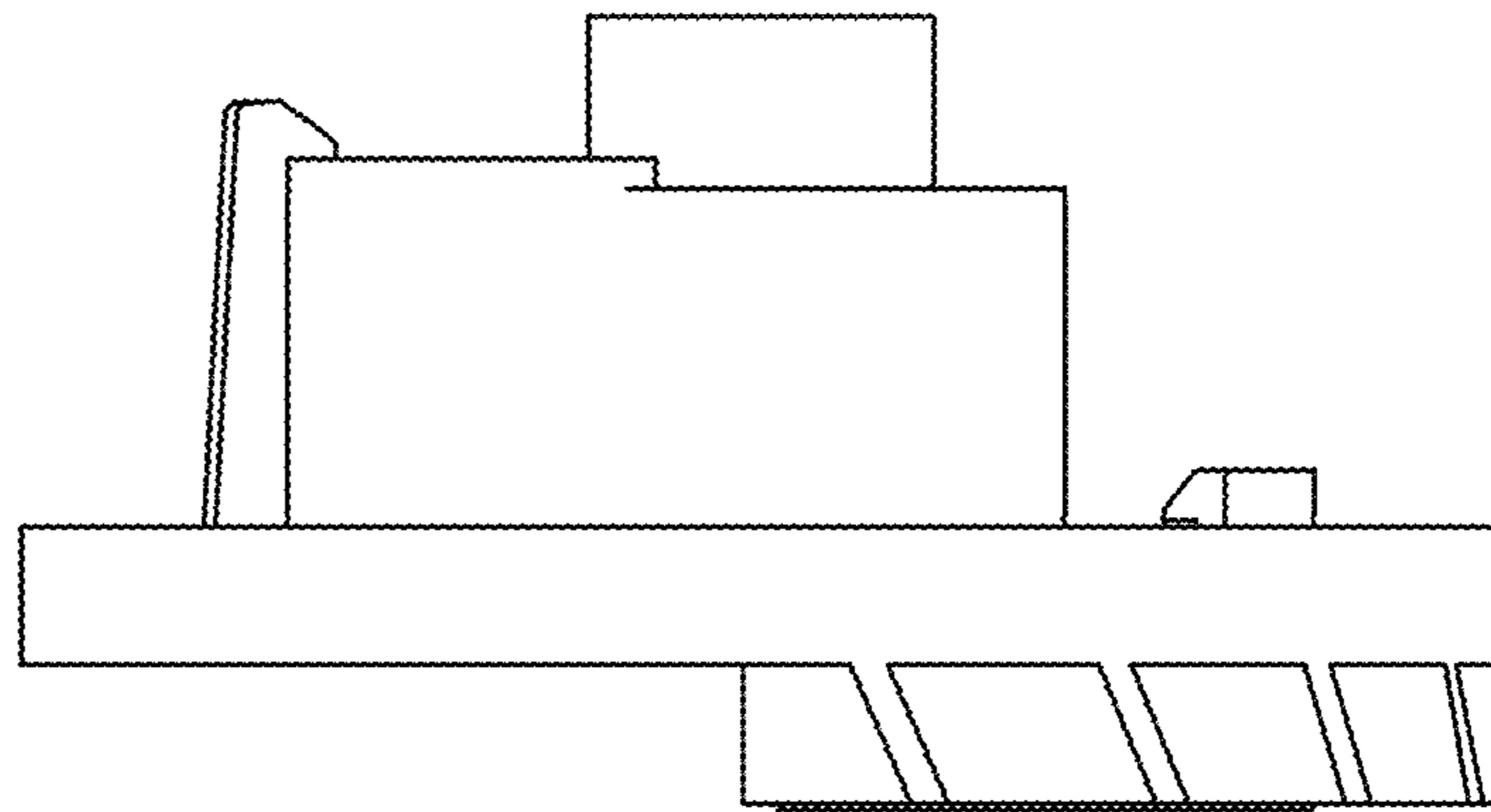


FIG. 3

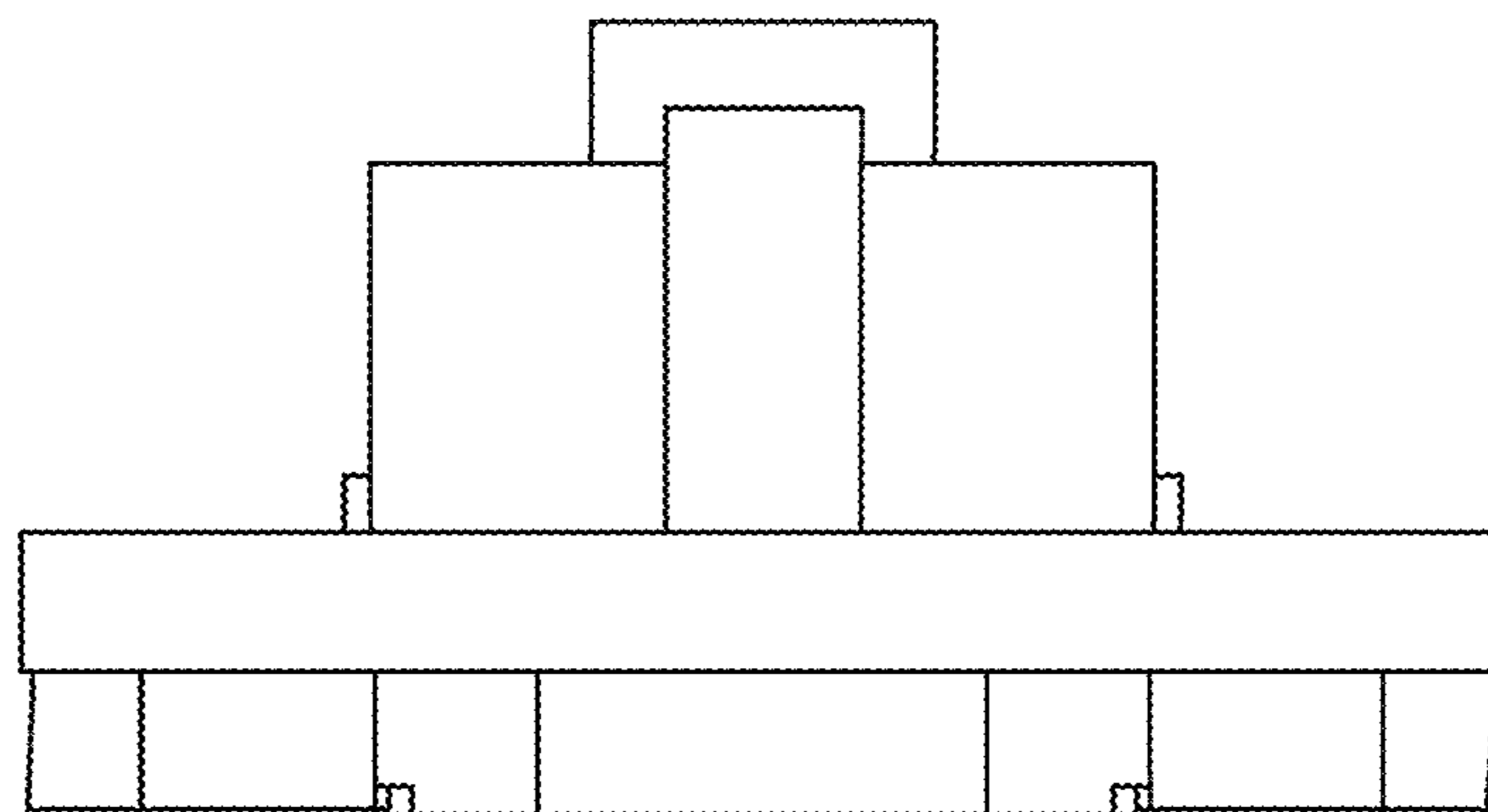


FIG. 4

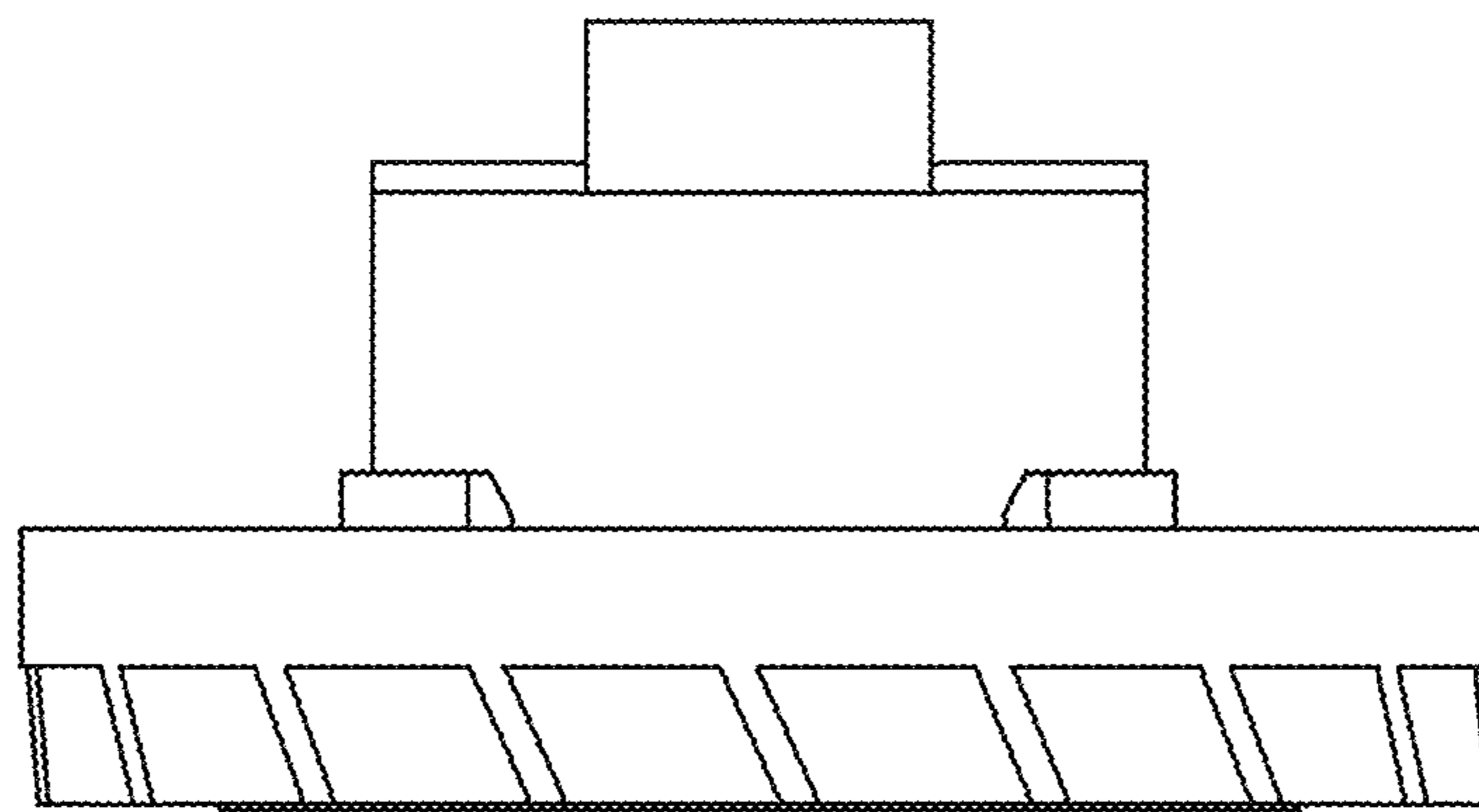


FIG. 5

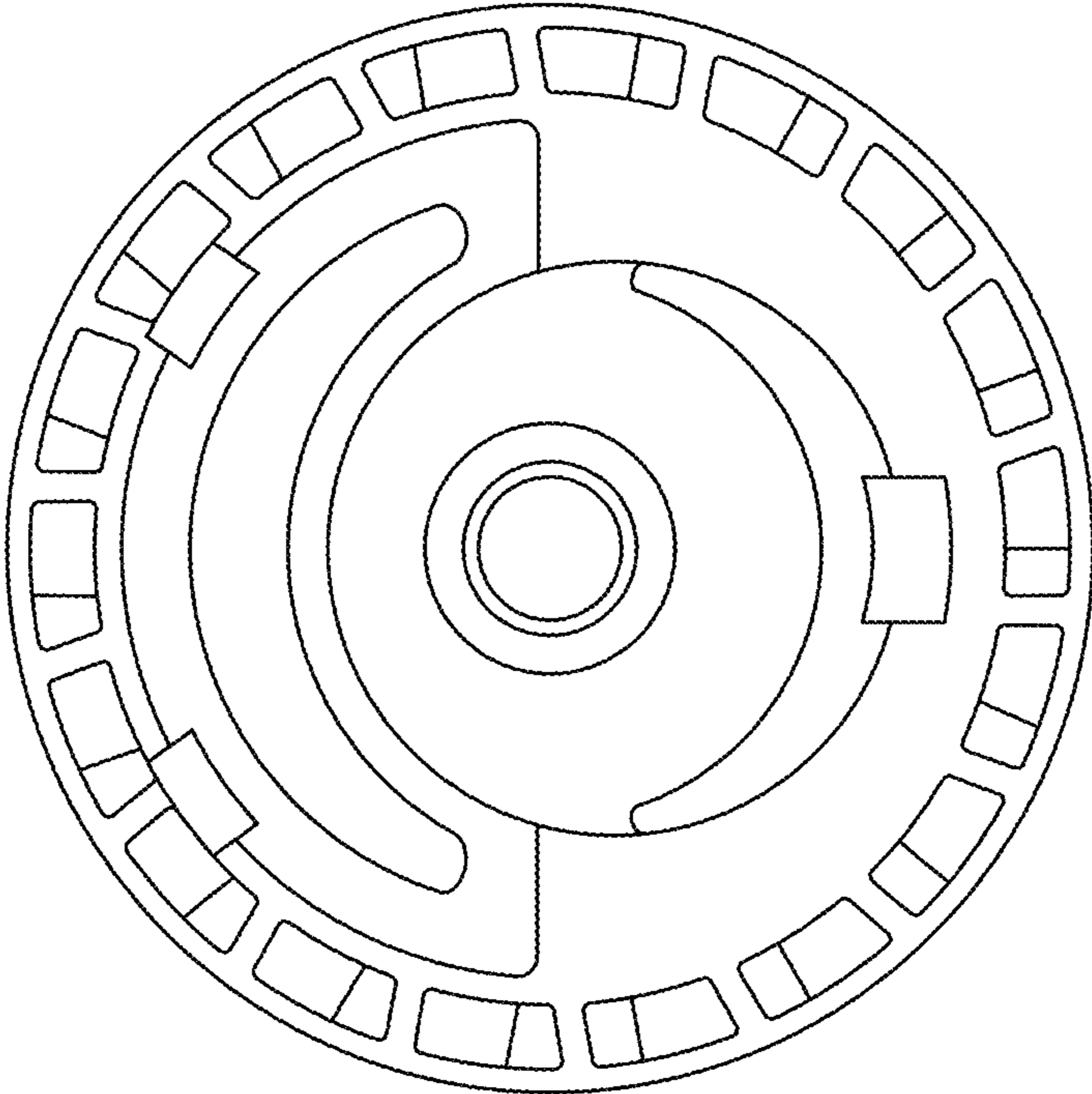


FIG. 6

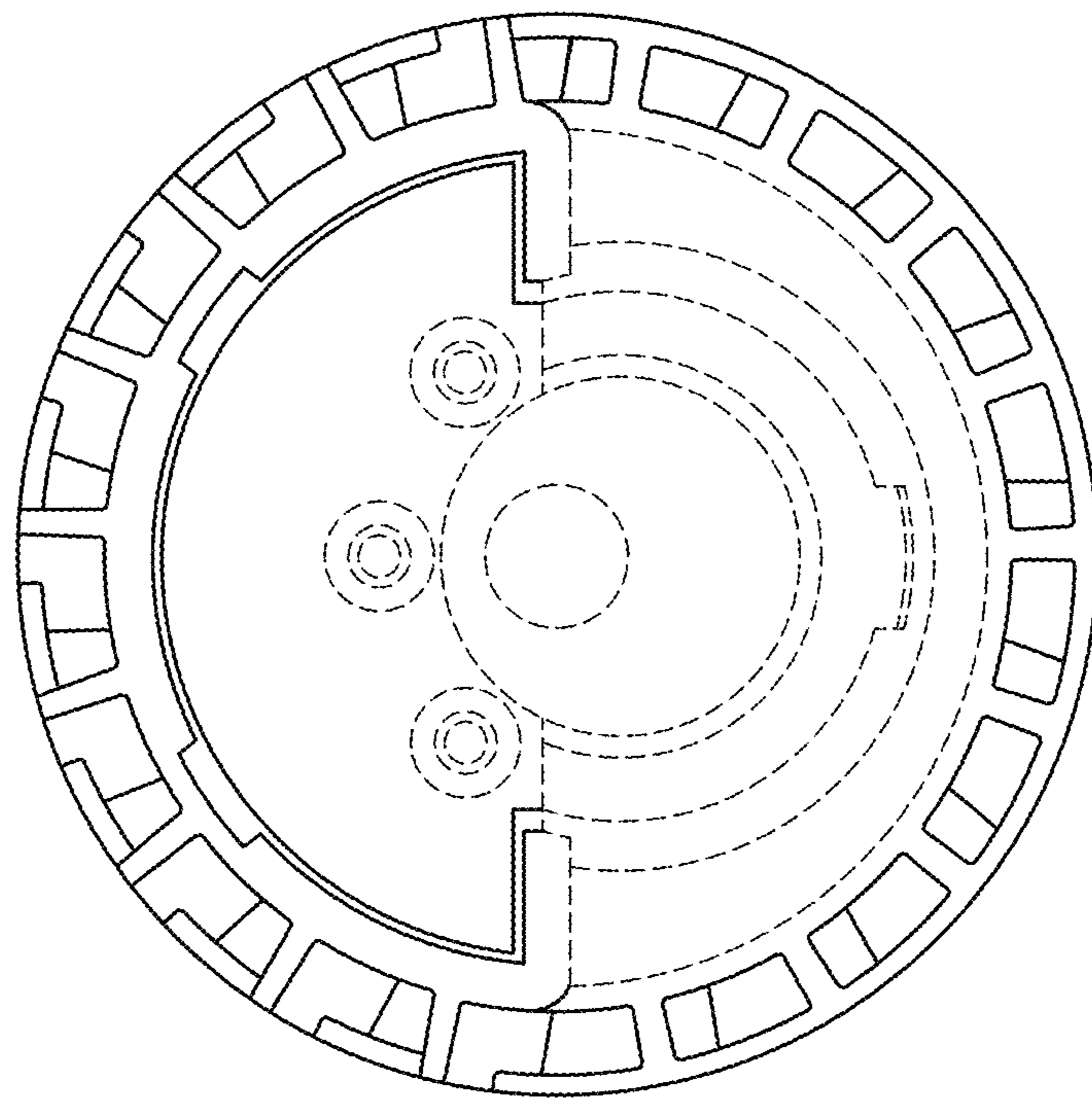


FIG. 7



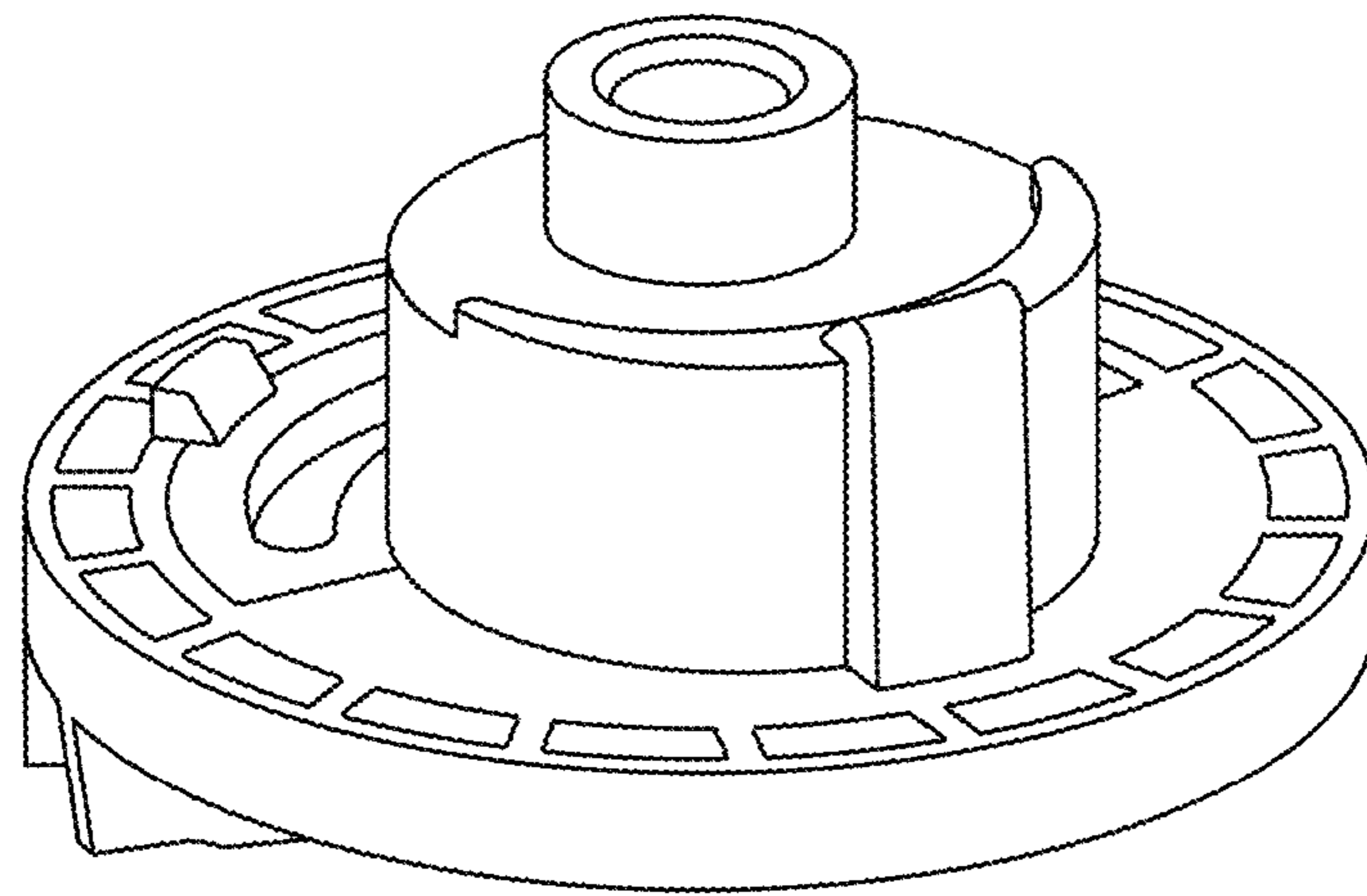


FIG. 8