



US00D917999S

(12) **United States Design Patent** (10) **Patent No.:** **US D917,999 S**  
**Inkster** (45) **Date of Patent:** **\*\* May 4, 2021**

(54) **SHROUD FOR A POWER TOOL**  
(71) Applicant: **Arbortech Industries Limited**, Malaga (AU)  
(72) Inventor: **Kevin Ross Inkster**, Malaga (AU)  
(73) Assignee: **Arbortech Industries Limited**  
(\*\*) Term: **15 Years**  
(21) Appl. No.: **29/678,592**  
(22) Filed: **Jan. 30, 2019**

(30) **Foreign Application Priority Data**

Jul. 31, 2018 (AU) ..... 201814569

(51) **LOC (13) Cl.** ..... **08-03**

(52) **U.S. Cl.**  
USPC ..... **D8/70; D8/86**

(58) **Field of Classification Search**  
USPC ..... D8/14.1, 61-71, 90, 363; D15/124-126, D15/133, 138-140; D32/1, 15, 21, 25, D32/16-18  
CPC ..... B23Q 11/0046; B23Q 11/0053; B23Q 11/0071; B23B 45/003; B25D 17/22  
See application file for complete search history.

(56) **References Cited**

**U.S. PATENT DOCUMENTS**

D376,526 S \* 12/1996 Hepburn ..... D8/70  
D407,094 S \* 3/1999 Meredith ..... D15/133  
D407,617 S \* 4/1999 Cooper ..... D8/66  
D435,259 S \* 12/2000 Brickner, Jr. .... D15/133  
D604,828 S \* 11/2009 Krohmer ..... D32/31  
D614,678 S \* 4/2010 Jorgensen ..... D15/138  
D659,922 S \* 5/2012 Krohmer ..... D32/31  
D677,547 S \* 3/2013 Rosenau ..... D8/70  
D677,548 S \* 3/2013 Rosenau ..... D8/70  
D678,028 S \* 3/2013 Rosenau ..... D8/70

D683,918 S \* 6/2013 Erlich ..... D32/25  
D695,584 S \* 12/2013 Chen ..... D8/70  
D703,401 S \* 4/2014 Hill ..... D32/31  
D719,806 S \* 12/2014 Wiedemann ..... D8/70  
D736,582 S \* 8/2015 Dietsche ..... D8/70  
D742,710 S \* 11/2015 Wiedemann ..... D8/70  
D743,230 S \* 11/2015 Wiedemann ..... D8/70  
D795,317 S \* 8/2017 Wenning ..... D15/138  
D802,102 S \* 11/2017 Mursu ..... D23/259  
D803,916 S \* 11/2017 Dammkoehler ..... D15/138  
D816,453 S \* 5/2018 Hansen ..... D8/70  
D818,788 S \* 5/2018 Dammkoehler ..... D8/70  
10,293,421 B2 \* 5/2019 Hansen ..... B23D 59/006

\* cited by examiner

*Primary Examiner* — Darlington Ly

(74) *Attorney, Agent, or Firm* — Taylor English Duma LLP

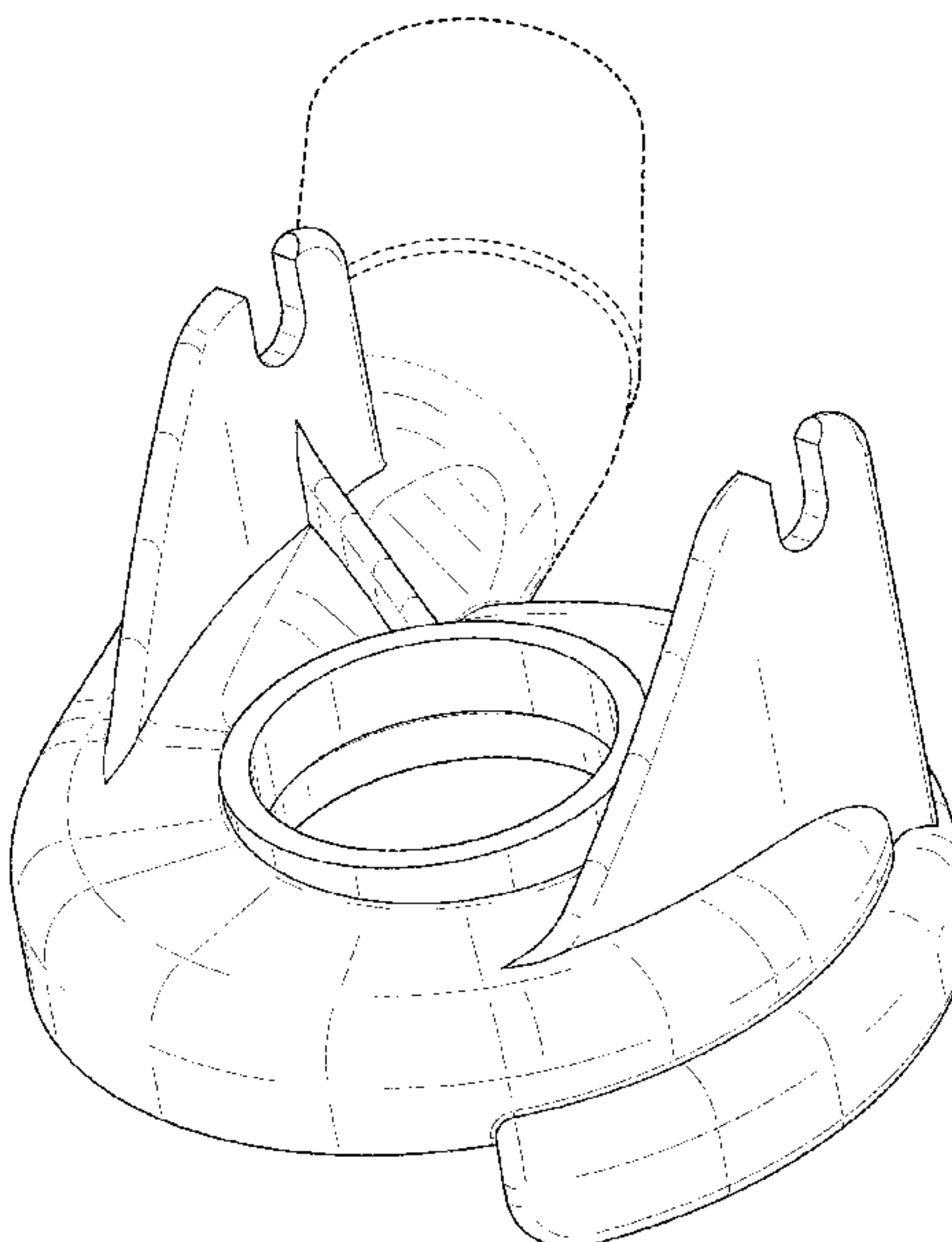
(57) **CLAIM**

I claim an ornamental design for a shroud for a power tool, as shown and described.

**DESCRIPTION**

FIG. 1 front elevation view of a shroud for a power tool embodying my new design;  
FIG. 2 is a left side elevation view thereof;  
FIG. 3 is a rear elevation view thereof;  
FIG. 4 is a right side elevation view thereof;  
FIG. 5 is a top plan view thereof;  
FIG. 6 is a bottom plan view thereof;  
FIG. 7 is a top, front, and right side perspective view thereof;  
FIG. 8 is a top, rear, and right side perspective view thereof;  
FIG. 9 is a bottom, rear, and right side perspective view thereof; and,  
FIG. 10 is a top, front, and left side perspective view thereof.  
The broken lines in the drawings illustrate portions of the shroud for a power tool that form no part of the claimed design.

**1 Claim, 10 Drawing Sheets**



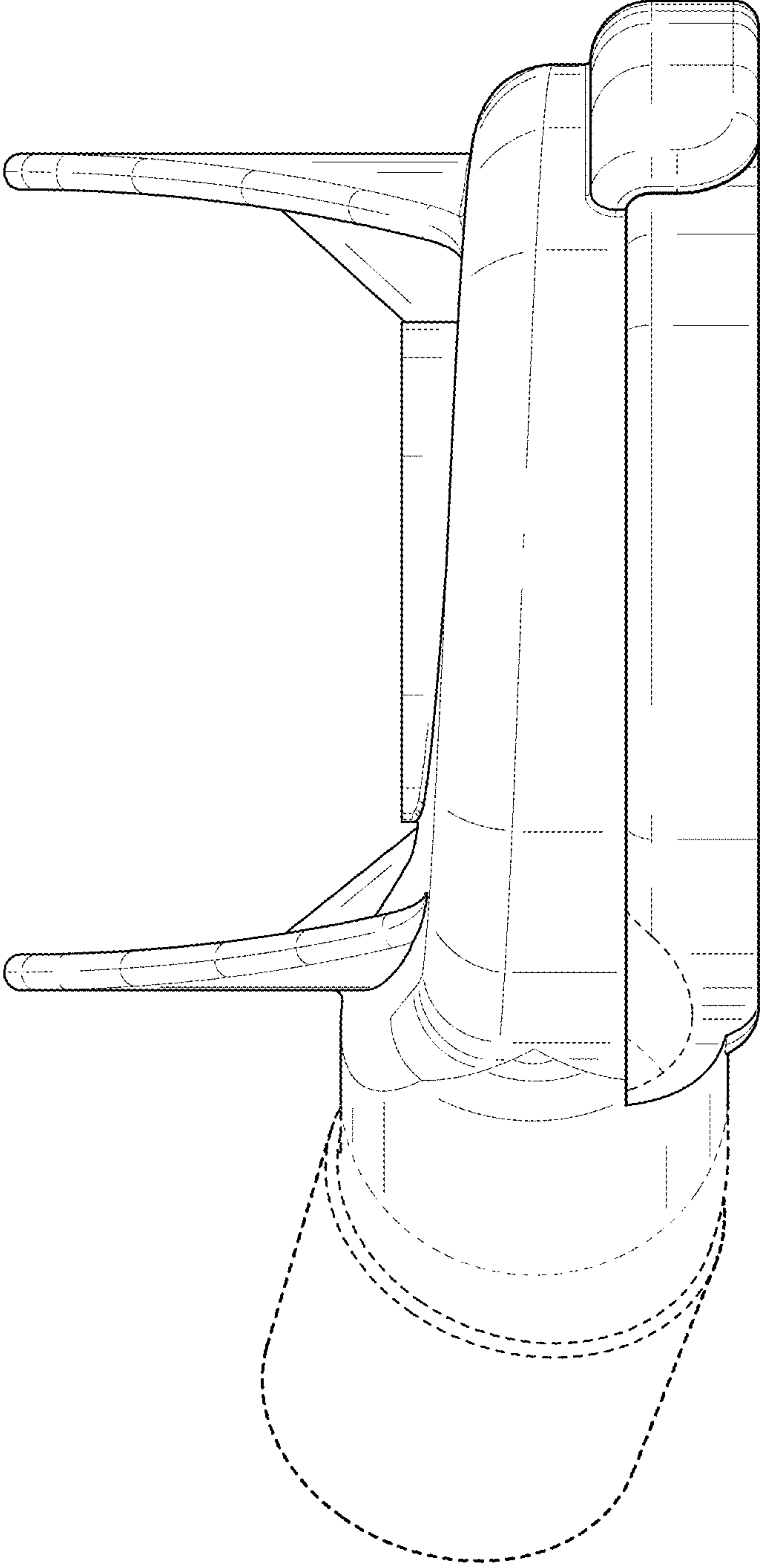


Figure 1

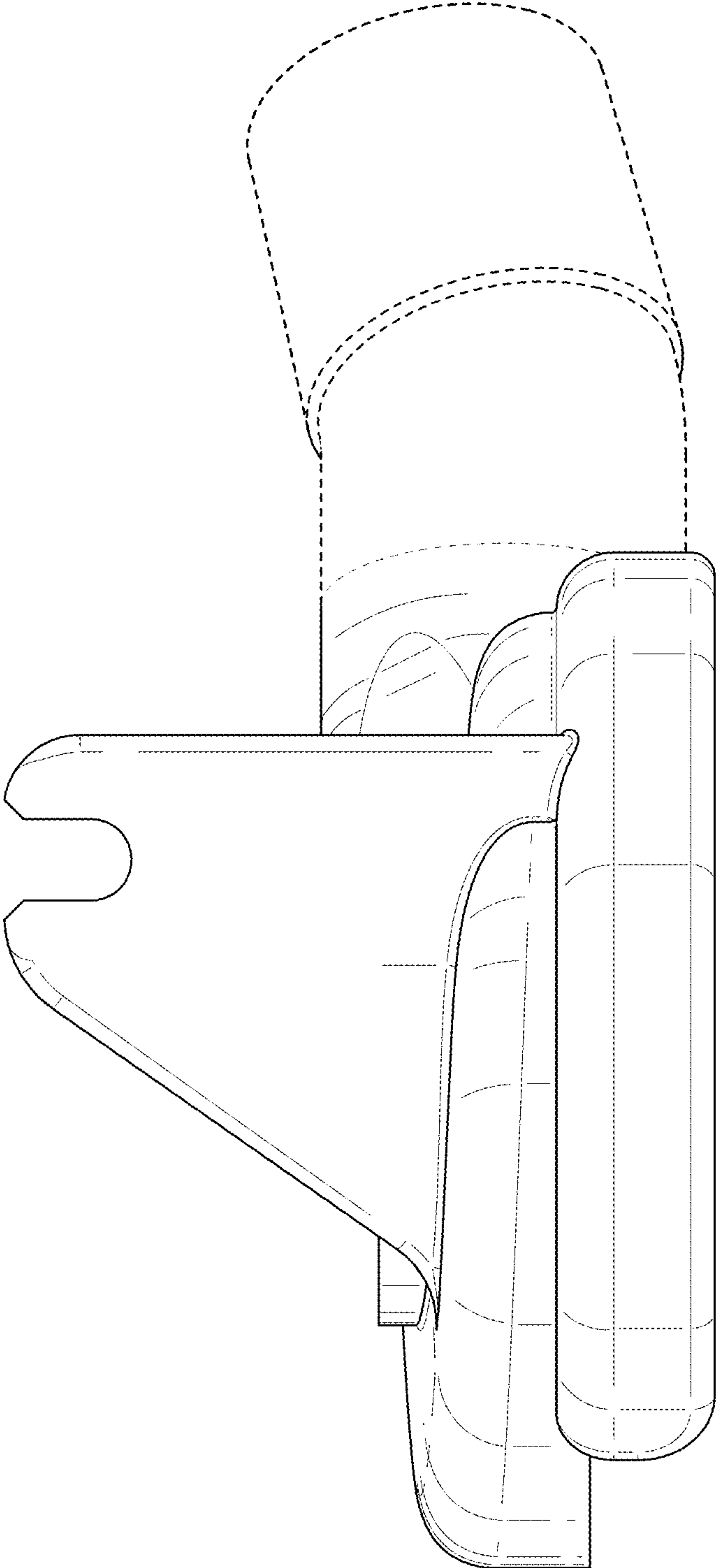


Figure 2

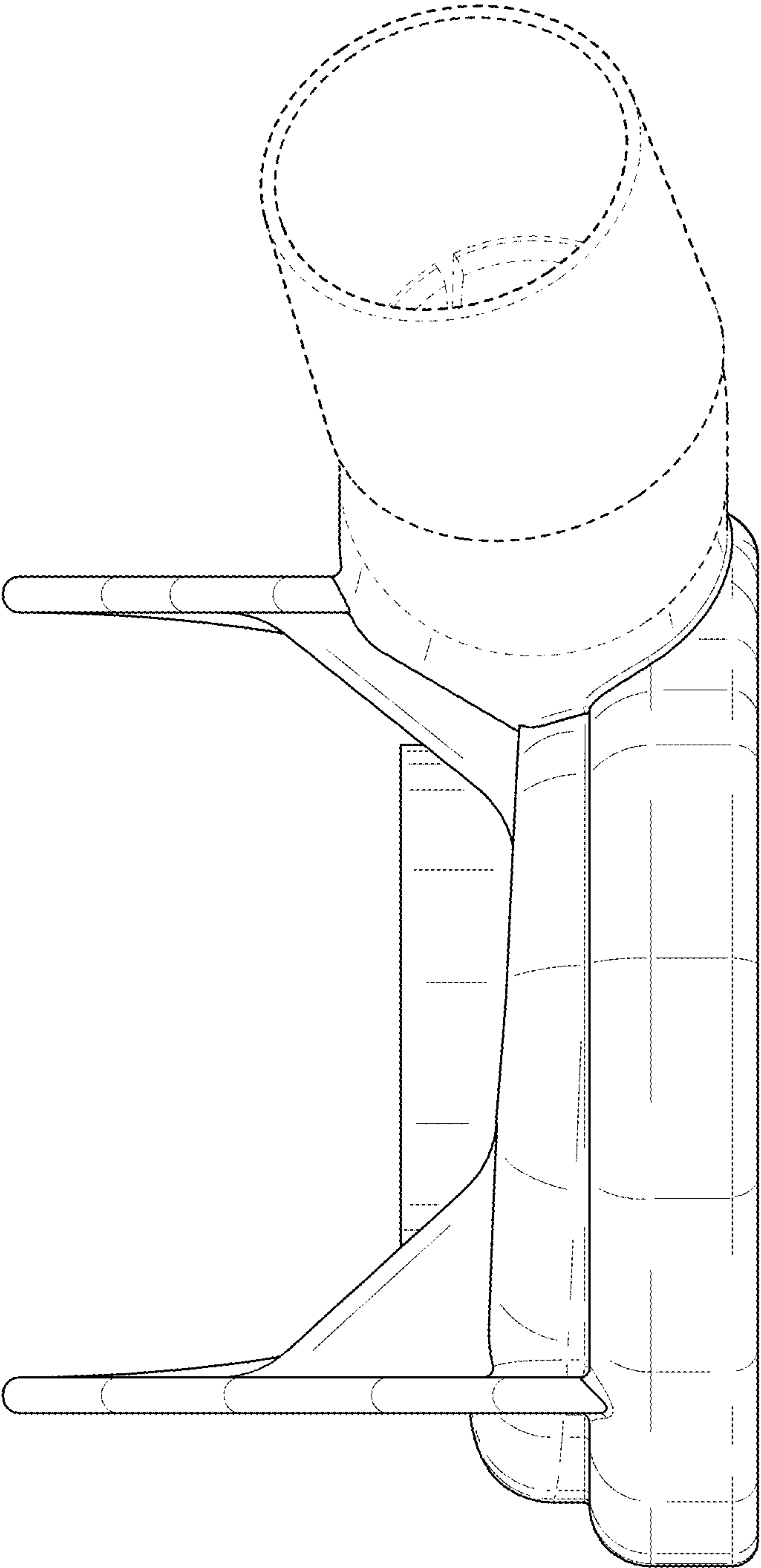


Figure 3

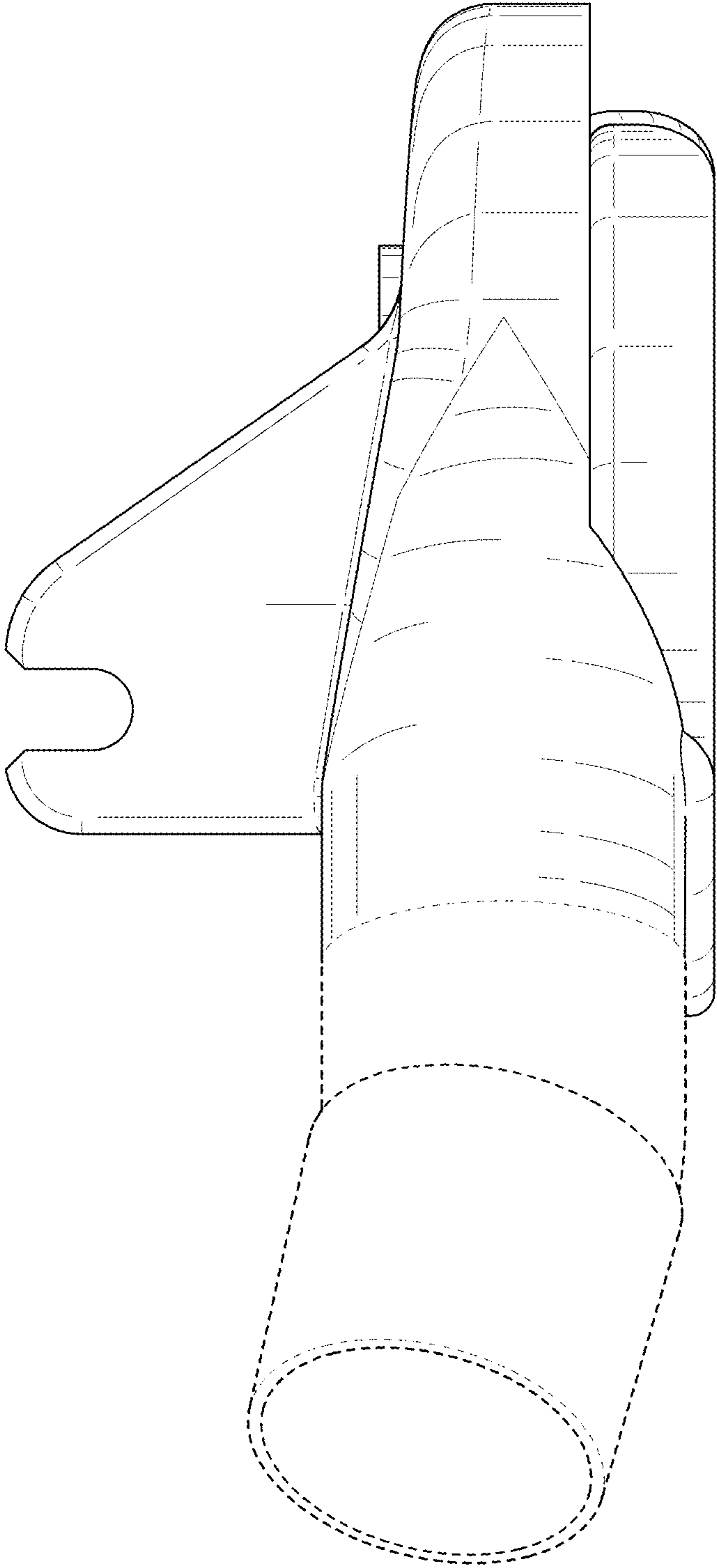


Figure 4

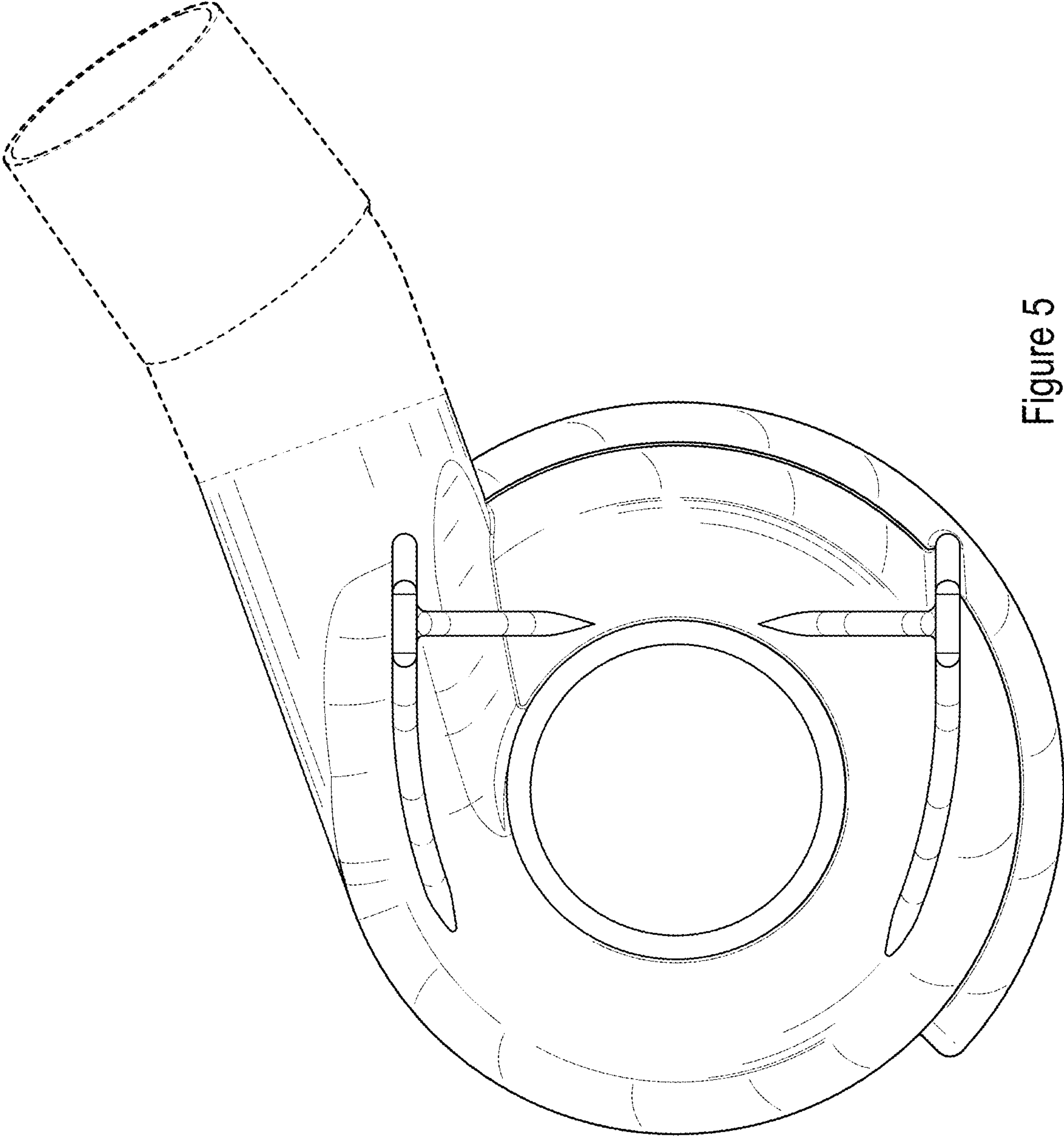


Figure 5



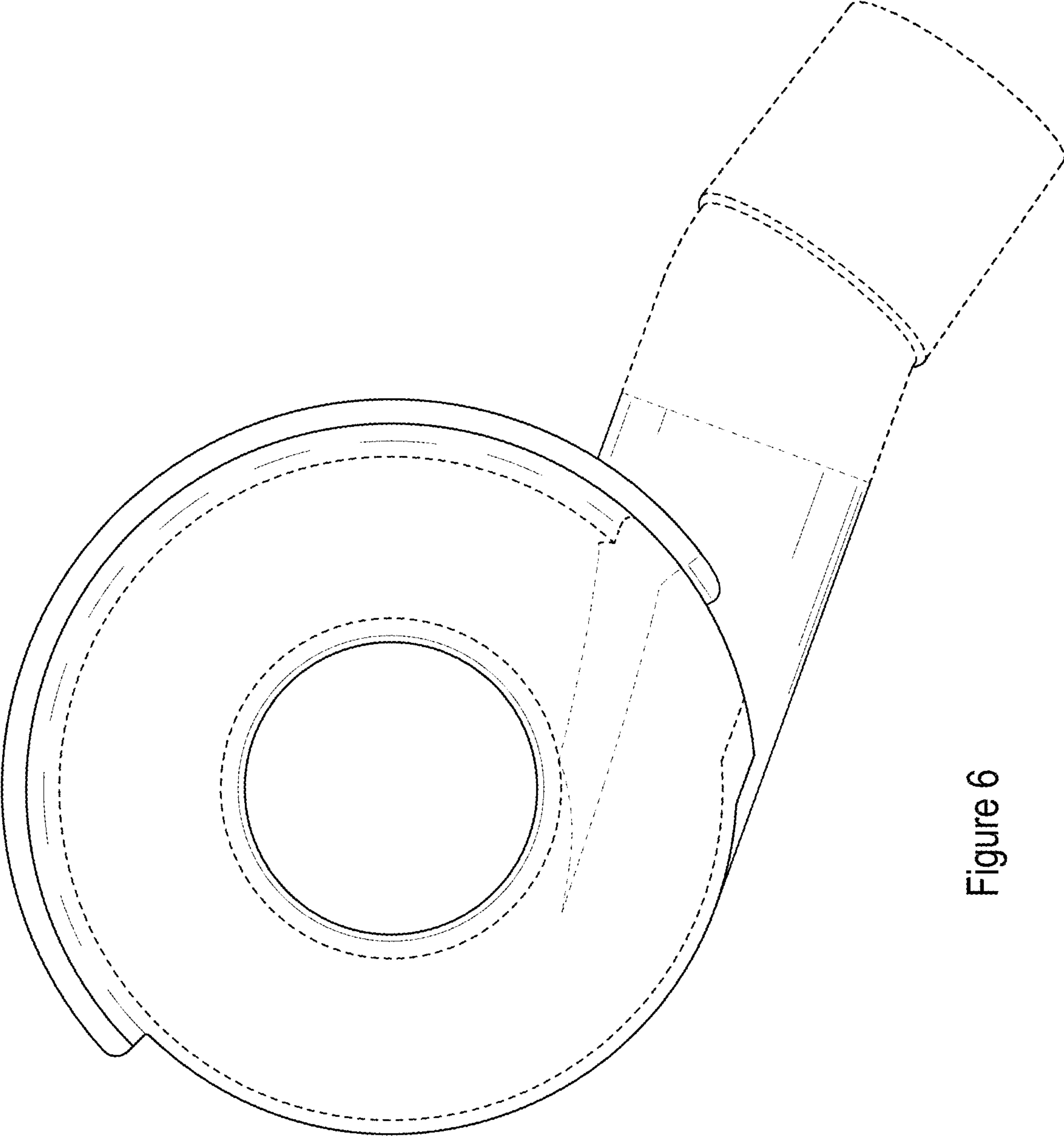


Figure 6

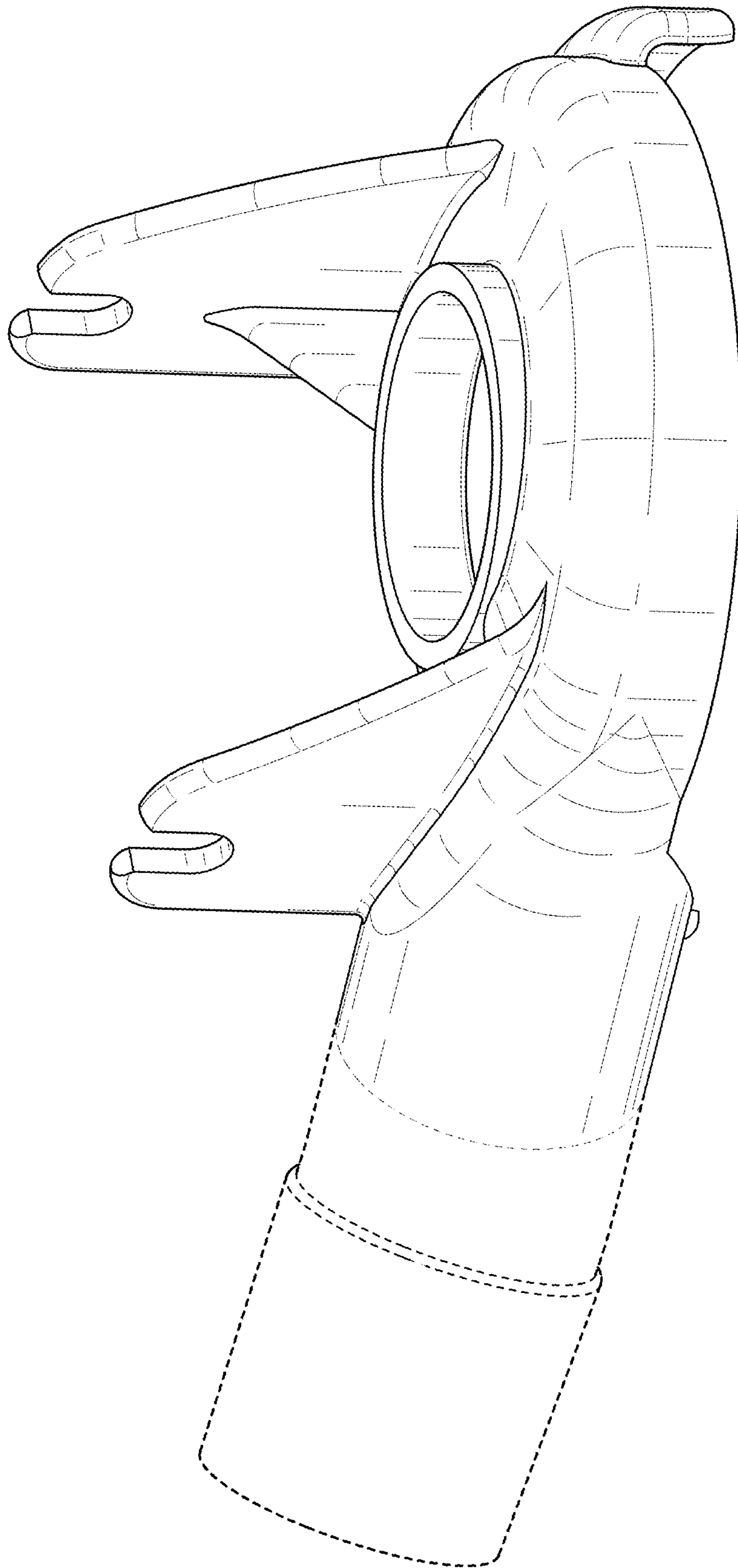


Figure 7



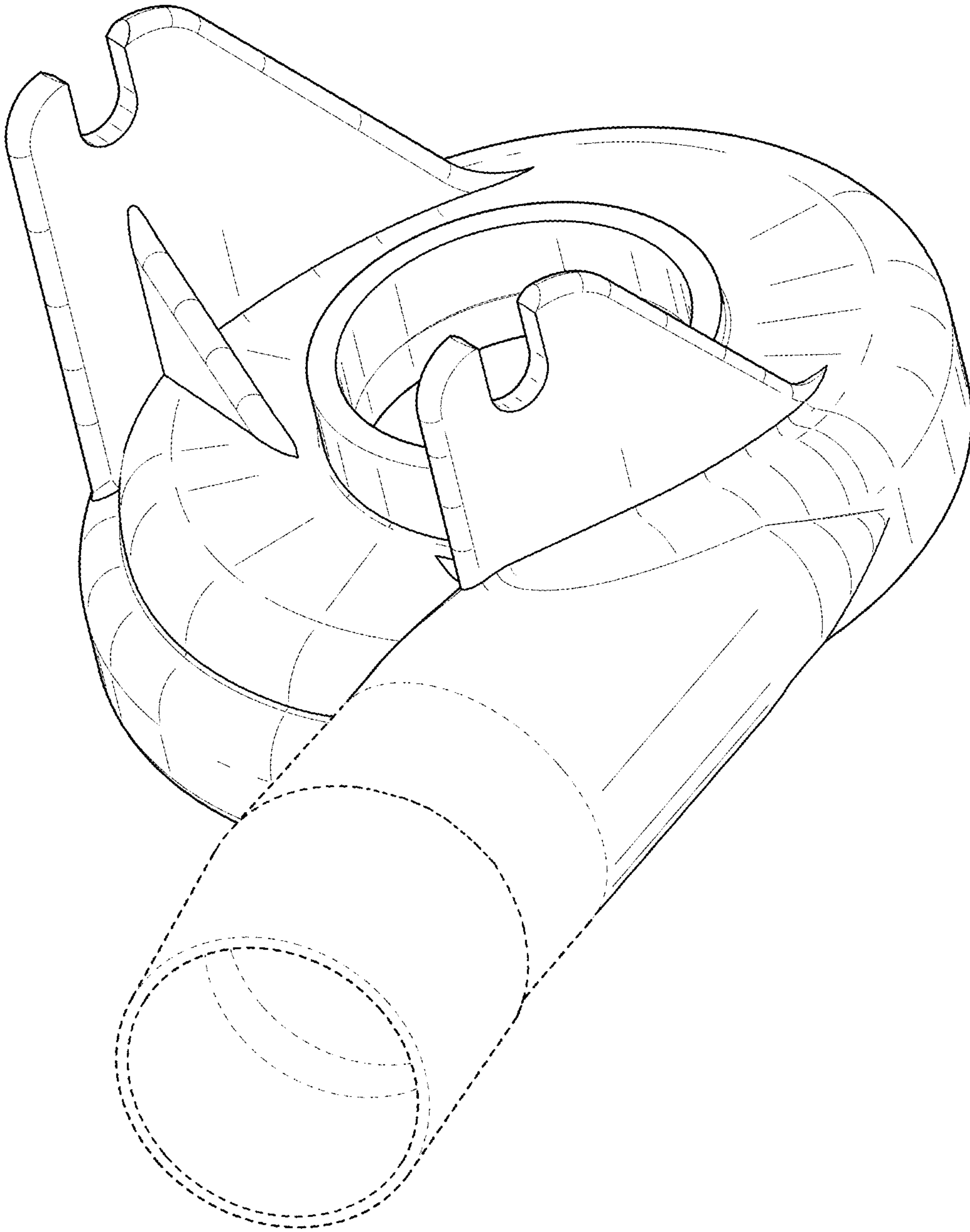


Figure 8

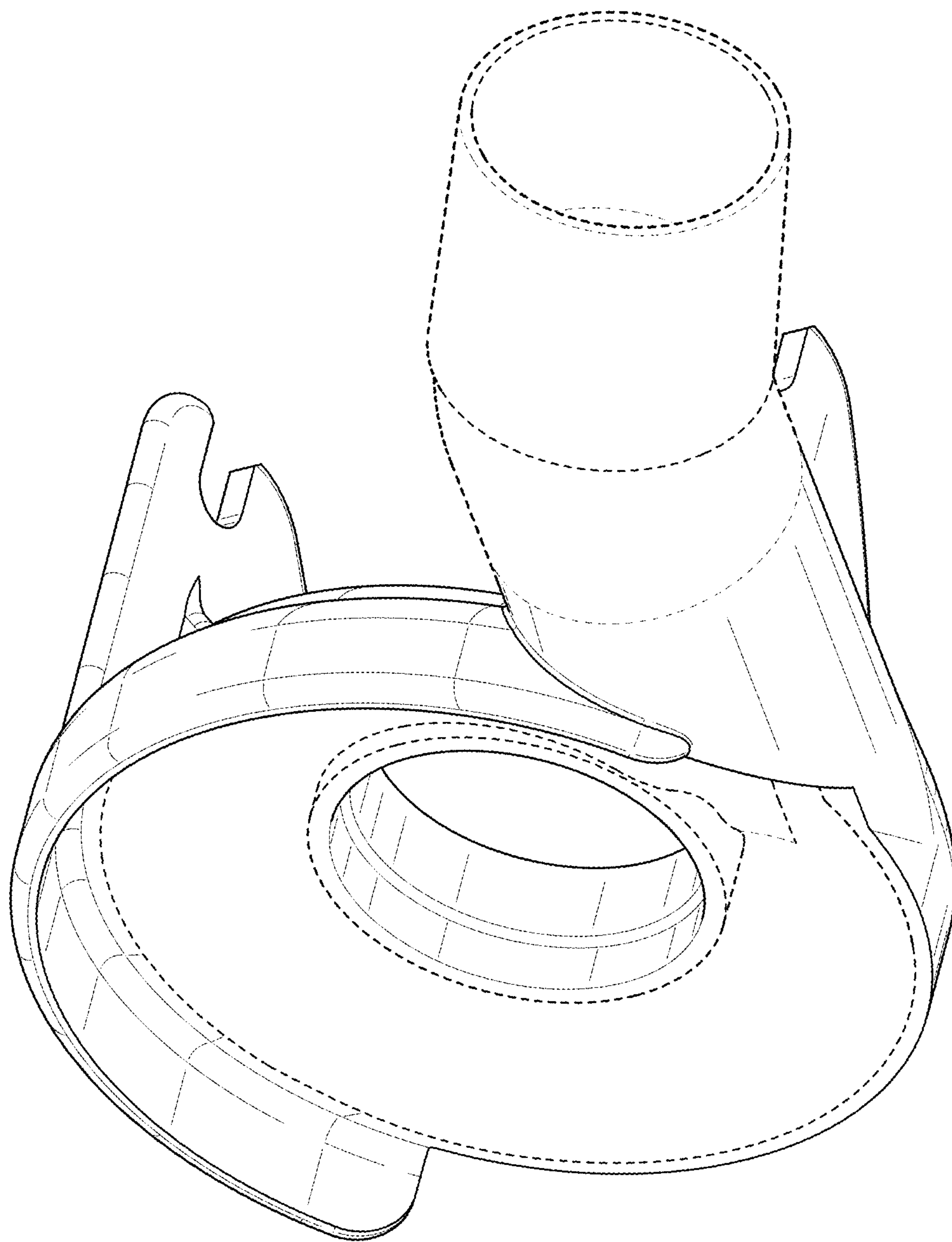


Figure 9

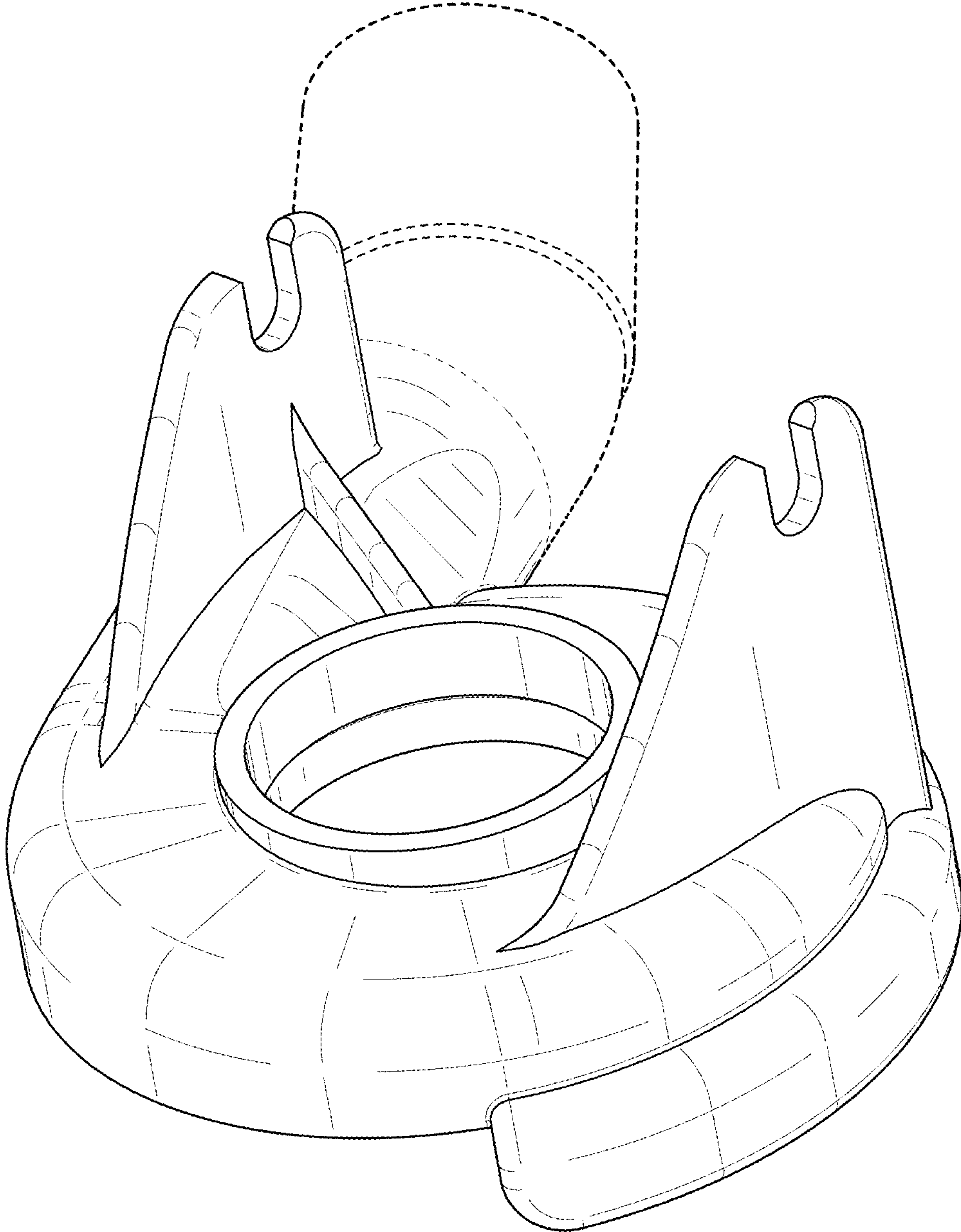


Figure 10