



US00D917998S

(12) **United States Design Patent**  
**James**

(10) **Patent No.:** **US D917,998 S**

(45) **Date of Patent:** **\*\* May 4, 2021**

- (54) **ANGLE DIE GRINDER**
- (71) Applicant: **VIS, LLC**, Travelers Rest, SC (US)
- (72) Inventor: **Chad James**, Tylertown, MS (US)
- (73) Assignee: **VIS, LLC**, Travelers Rest, SC (US)
- (\*\*) Term: **15 Years**
- (21) Appl. No.: **29/701,897**
- (22) Filed: **Aug. 15, 2019**
- (51) **LOC (13) Cl.** ..... **08-01**
- (52) **U.S. Cl.**  
USPC ..... **D8/62**
- (58) **Field of Classification Search**  
USPC ..... D8/61, 62, 67, 69; 81/57, 57.11, 57.14,  
81/57.26, 429, 464, 469; 173/2, 170,  
173/176, 181  
CPC ..... B25B 21/00; F16D 41/206; B25F 5/001  
See application file for complete search history.

D498,398 S *	11/2004	Chen	.....	D8/61
D499,000 S *	11/2004	Chen	.....	D8/61
D682,647 S *	5/2013	Yaschur	.....	D8/61
D682,648 S *	5/2013	Yaschur	.....	D8/61
D696,091 S *	12/2013	Yaschur	.....	D8/61
D696,092 S *	12/2013	Yaschur	.....	D8/61

\* cited by examiner

*Primary Examiner* — Austin Murphy  
(74) *Attorney, Agent, or Firm* — J. Bennett Mullinax, LLC

(57) **CLAIM**

The ornamental design for a angle die grinder, as shown and described.

**DESCRIPTION**

FIG. 1 is a front perspective view of the angle die grinder as shown in FIG. 1;

FIG. 2 is a front view of the angle die grinder as shown in FIG. 1;

FIG. 3 is a rear view of the angle die grinder as shown in FIG. 1;

FIG. 4 is a left side view of the angle die grinder as shown in FIG. 1;

FIG. 5 is a right side view of the angle die grinder as shown in FIG. 1;

FIG. 6 is a top view of the angle die grinder as shown in FIG. 1; and,

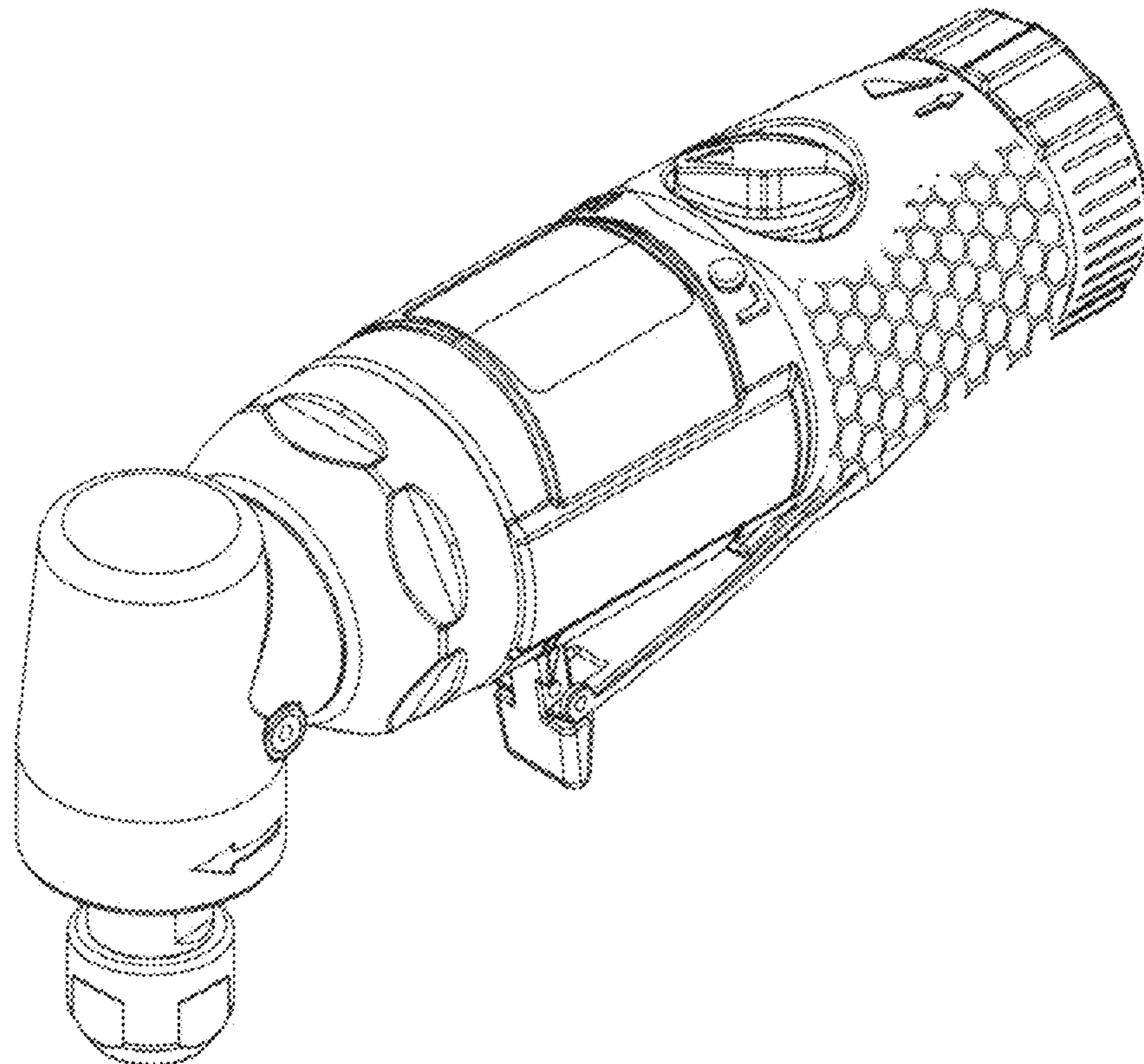
FIG. 7 is a bottom view of the angle die grinder as shown in FIG. 1.

**1 Claim, 6 Drawing Sheets**

(56) **References Cited**

U.S. PATENT DOCUMENTS

D440,848 S *	4/2001	Izumisawa	.....	D8/61
D447,029 S *	8/2001	Sun	.....	D8/61
D468,173 S *	1/2003	Morgan	.....	D8/61
D484,380 S *	12/2003	Chen	.....	D8/61
D492,176 S *	6/2004	Chen	.....	D8/61
D492,561 S *	7/2004	Chen	.....	D8/61
D492,562 S *	7/2004	Chen	.....	D8/61



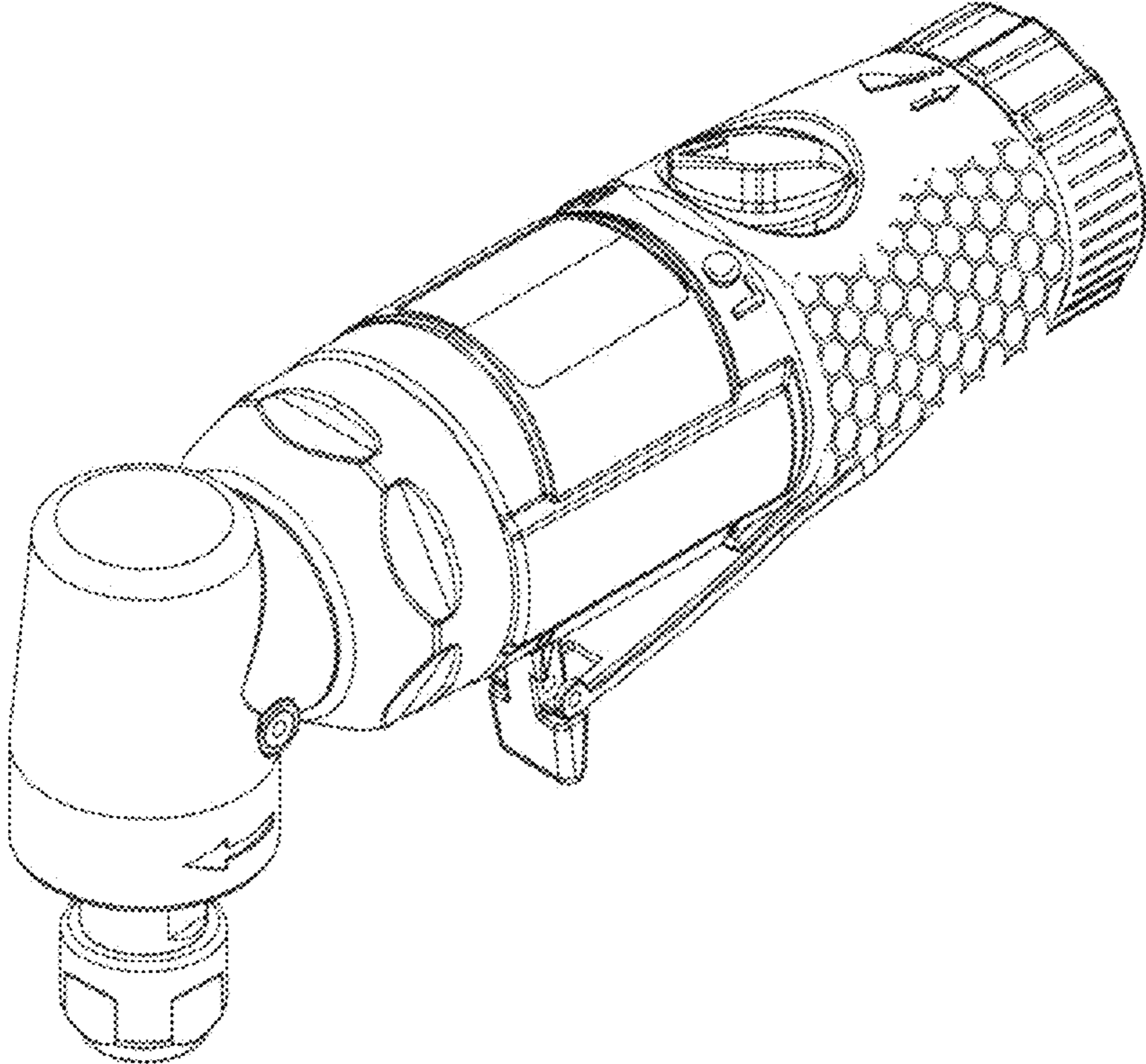


FIGURE 1

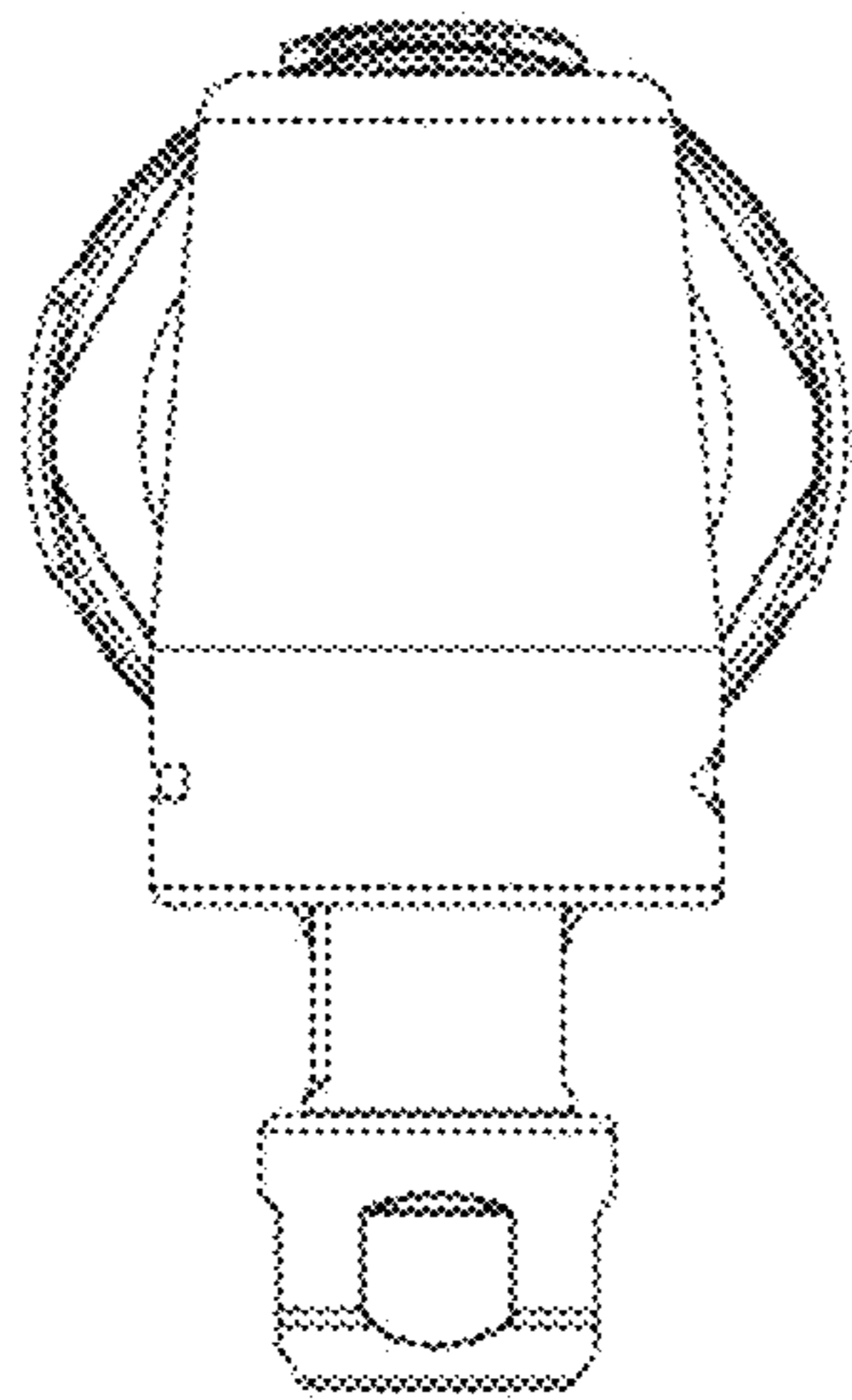


FIGURE 2

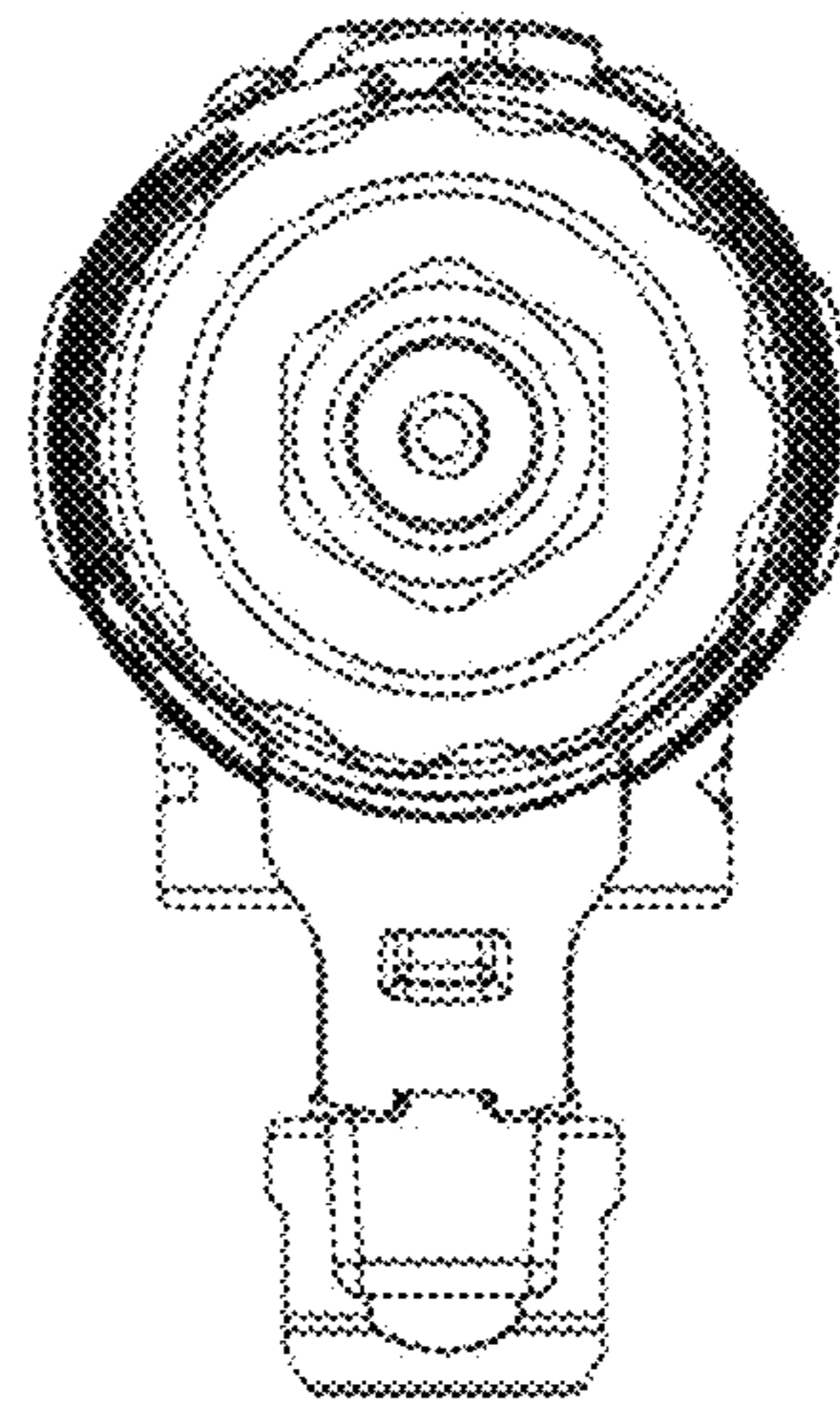


FIGURE 3

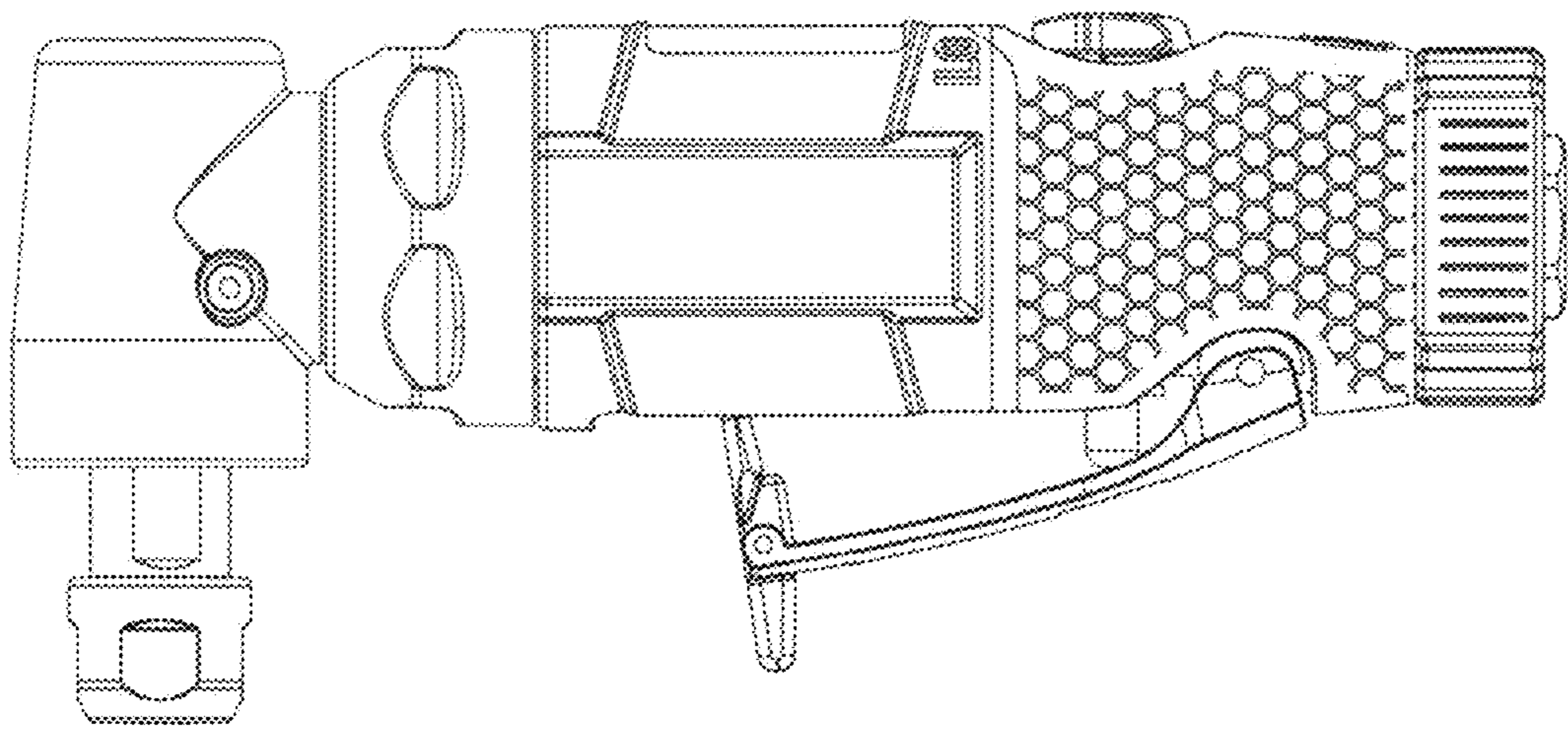


FIGURE 4

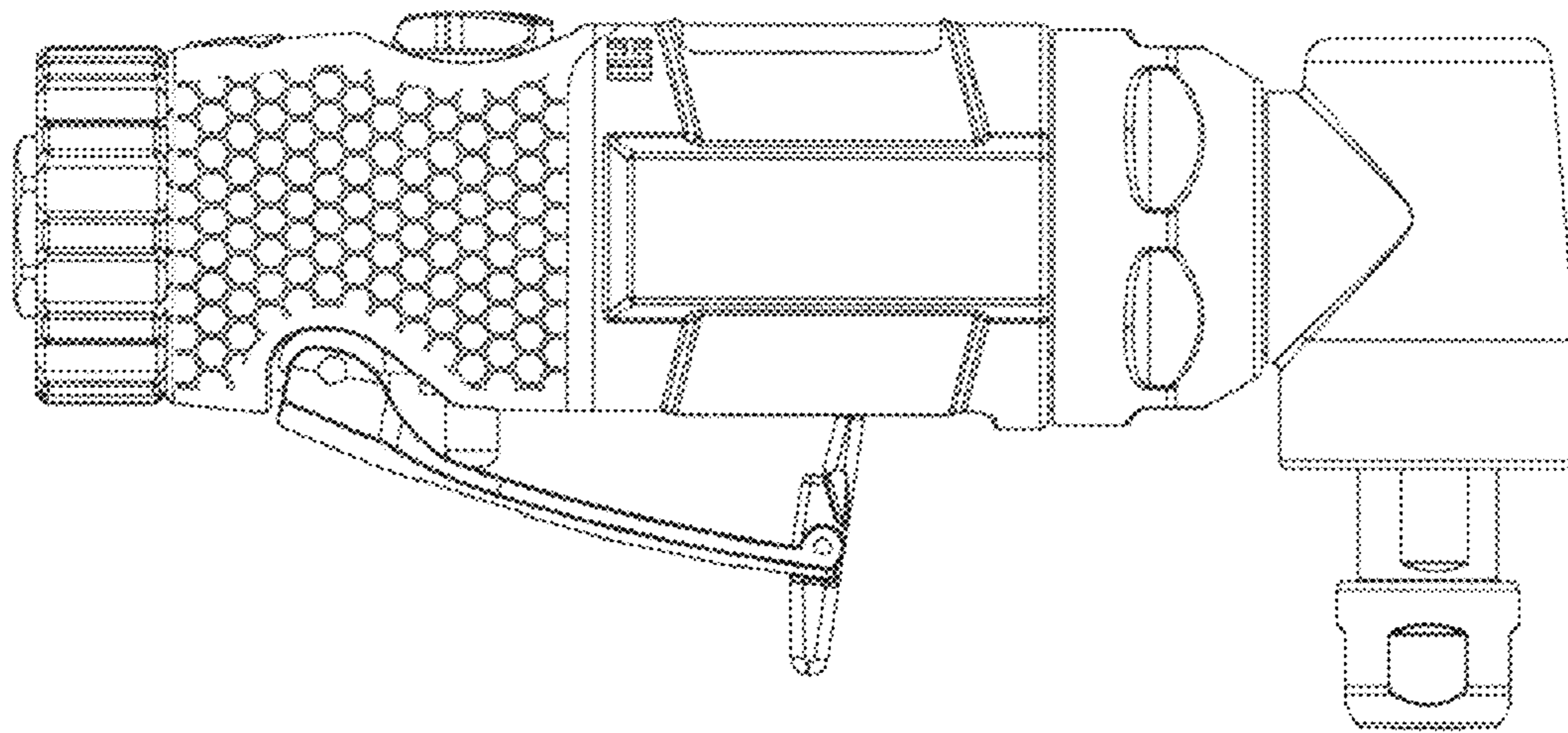


FIGURE 5

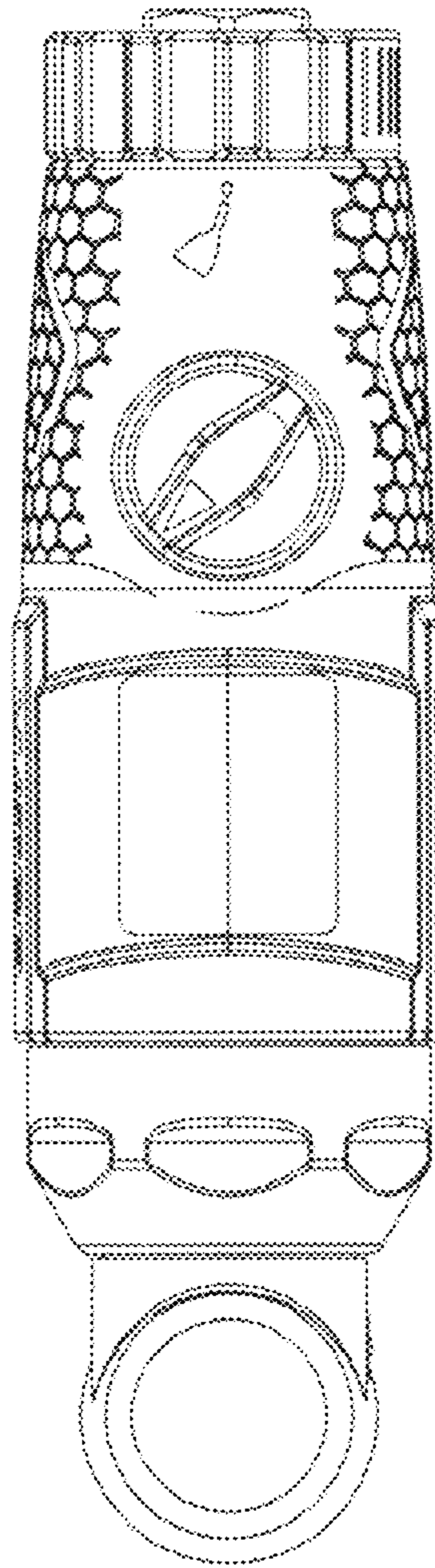


FIGURE 6

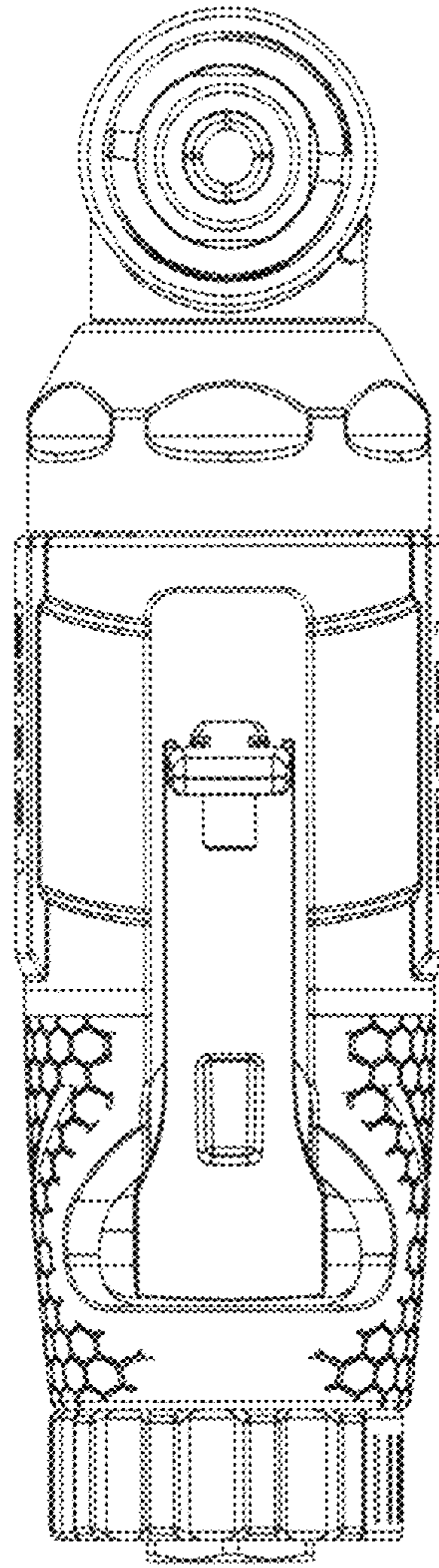


FIGURE 7