



US00D917997S

(12) **United States Design Patent** (10) **Patent No.:** **US D917,997 S**  
**Hochstrasser** (45) **Date of Patent:** **\*\* May 4, 2021**

(54) **STRAPPING DEVICE**

FOREIGN PATENT DOCUMENTS

(71) Applicant: **Signode Industrial Group LLC**,  
Glenview, IL (US)

CA 2432353 A1 12/2003  
CH 705745 A2 5/2013

(Continued)

(72) Inventor: **Samuel Hochstrasser**, Fällanden (CH)

OTHER PUBLICATIONS

(73) Assignee: **Signode Industrial Group LLC**,  
Glenview, IL (US)

“Evaluation Report of Design Patent”, CNIPA, from corresponding Chinese Design Patent No. 201730340255.7, Jul. 23, 2019.

(\*\*) Term: **15 Years**

(Continued)

(21) Appl. No.: **29/757,372**

*Primary Examiner* — Patricia A Palasik

(22) Filed: **Nov. 5, 2020**

(74) *Attorney, Agent, or Firm* — Neal, Gerber & Eisenberg LLP

**Related U.S. Application Data**

(63) Continuation of application No. 29/739,016, filed on Jun. 22, 2020, now Pat. No. Des. 904,151, which is a  
(Continued)

(57) **CLAIM**

The ornamental design for a strapping device, as shown and described.

(30) **Foreign Application Priority Data**

**DESCRIPTION**

Jan. 30, 2017 (DE) ..... 402017200401.5

(51) **LOC (13) Cl.** ..... **08-05**

(52) **U.S. Cl.**  
USPC ..... **D8/61; D15/145**

(58) **Field of Classification Search**  
USPC ..... D8/41, 61, 67; D15/122, 145, 146, 199  
CPC ..... B65B 13/00; B65B 13/06; B65B 13/16;  
B65B 13/18; B65B 13/32; B65B 13/285;  
B65B 57/04; B65B 59/04; B65B 2210/12;  
E04G 21/122; E04G 21/123  
See application file for complete search history.

FIG. 1 is a front top right-side perspective view of a strapping device of one embodiment of my new design. FIG. 2 is a front elevational view of the strapping device of FIG. 1. FIG. 3 is a rear elevational view of the strapping device of FIG. 1. FIG. 4 is a right-side elevational view of the strapping device of FIG. 1. FIG. 5 is a left-side elevational view of the strapping device of FIG. 1. FIG. 6 is a top plan view of the strapping device of FIG. 1. FIG. 7 is a bottom plan view of the strapping device of FIG. 1; and, FIG. 8 is a rear bottom left-side perspective view of the strapping device of FIG. 1. The broken lines in the drawings showing parts of the strapping device form no part of the claimed design.

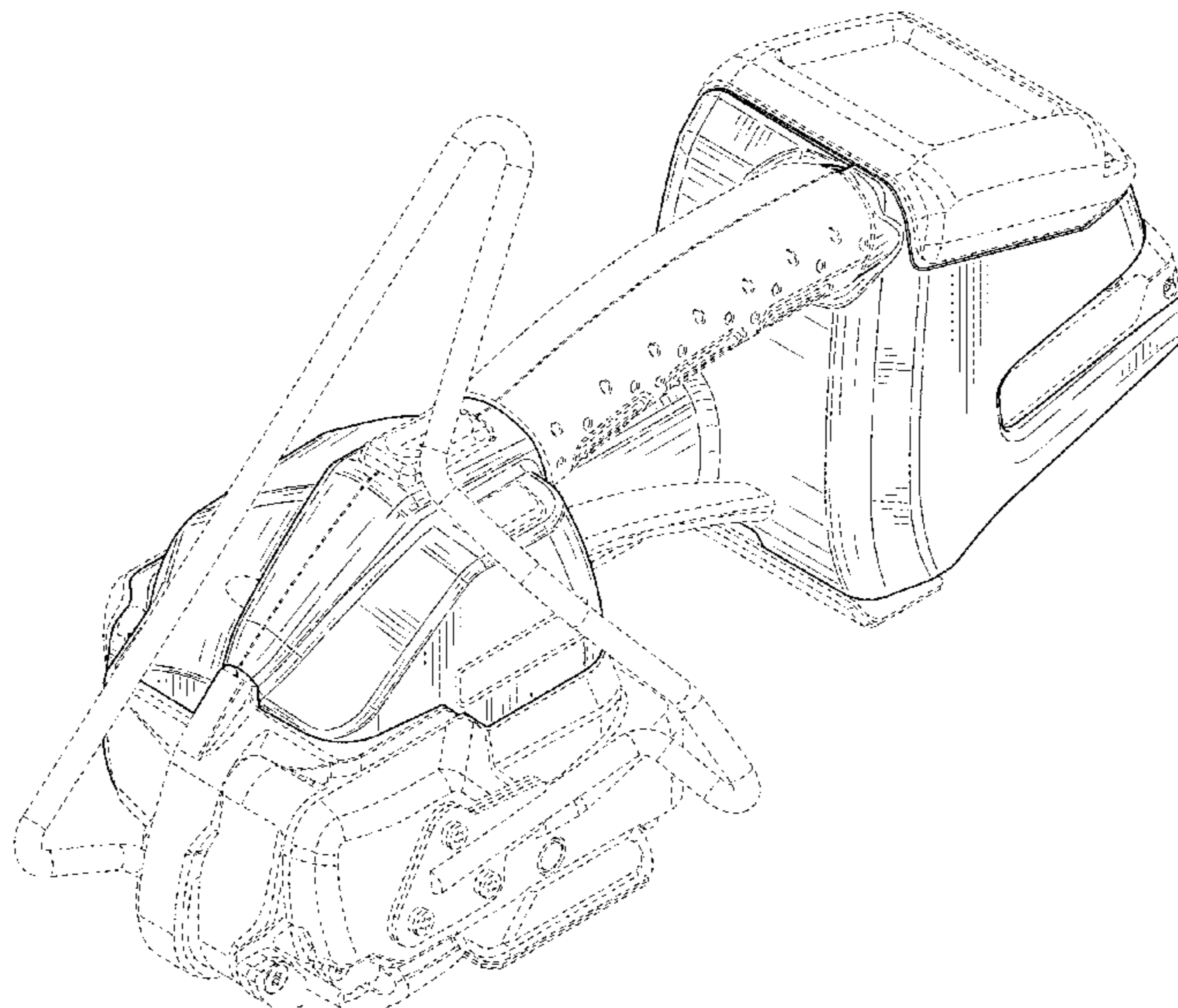
(56) **References Cited**

**U.S. PATENT DOCUMENTS**

2,194,108 A 3/1940 Parvin  
2,707,429 A 5/1955 Leslie, II et al.

(Continued)

**1 Claim, 8 Drawing Sheets**





(56)

References Cited

U.S. PATENT DOCUMENTS

2015/0210411 A1 7/2015 Finzo et al.  
2016/0107775 A1 4/2016 Amacker et al.

FOREIGN PATENT DOCUMENTS

CN 1151129 A 6/1997  
CN 2266566 Y 11/1997  
CN 1203878 A 1/1999  
CN 1253099 A 5/2000  
CN 3260241 10/2002  
CN 1418163 A 5/2003  
CN 1558842 A 12/2004  
CN 1660675 A 8/2005  
CN 3534469 6/2006  
CN 1859999 A 11/2006  
CN 101134308 A 3/2008  
CN 101164416 A 4/2008  
CN 101287578 A 10/2008  
CN 101486329 A 7/2009  
CN 301044699 10/2009  
CN 201411061 Y 2/2010  
CN 101678903 A 3/2010  
CN 301199818 S 5/2010  
CN 101870367 A 10/2010  
CN 301492534 S 3/2011  
CN 102026873 A 4/2011  
CN 102026874 A 4/2011  
CN 102026875 A 4/2011  
CN 202100012 U 1/2012  
CN 302836585 S 6/2014  
CN 303949899 S 11/2016  
CN 303979302 S 12/2016  
DE 3916355 A1 12/1989  
DE 4014305 A1 11/1991  
DE 19751861 A1 1/1999  
DE 10026200 A1 11/2001  
DE 20321137 U1 1/2006  
DE 102005049130 A1 4/2007  
DE 102006007990 A1 8/2007  
DE 102009047443 A1 6/2011  
DE 202011050797 U1 11/2011  
EP 0095643 A2 12/1983  
EP 0480627 A1 4/1992  
EP 0603868 A1 6/1994  
EP 0659525 A2 6/1995  
EP 0744343 A1 11/1996  
EP 0949146 A1 10/1999  
EP 0997377 A1 5/2000  
EP 0999133 A1 5/2000  
EP 1177978 A1 2/2002  
EP 1316506 A1 6/2003  
EP 1413519 A1 4/2004  
EP 1837279 A1 9/2007  
EP 2271553 B1 4/2013  
GB 1161827 A 8/1969  
GB 2041869 A 9/1980  
GB 2481724 A 1/2012  
JP S5290398 U 7/1977  
JP S541238 B1 1/1979  
JP S5638220 A 4/1981  
JP S6322320 A 1/1988  
JP H05198241 A 8/1993  
JP H07300108 A 11/1995  
JP H08258808 A 10/1996  
JP H08324506 A 12/1996

JP H09283103 A 10/1997  
JP 3044132 B2 5/2000  
JP 2000128113 A 5/2000  
JP 2000128115 A 5/2000  
JP 3227693 B2 9/2001  
JP 3242081 B2 10/2001  
JP 2002235830 A 8/2002  
JP 2003170906 A 6/2003  
JP 2003231291 A 8/2003  
JP 2003348899 A 12/2003  
JP 3548622 B2 4/2004  
JP 2004108593 A 4/2004  
JP 2004241150 A 8/2004  
JP 2004323111 A 11/2004  
JP 2007276042 A 10/2007  
JP 4406016 B2 11/2009  
KR 840002211 B1 12/1984  
KR 20000029337 A 5/2000  
RU 1772784 C 10/1992  
RU 2118277 C1 8/1998  
RU 2161773 C2 1/2001  
RU 2004115639 A 1/2006  
RU 2355821 C1 5/2009  
SU 1134117 A3 1/1985  
WO 0189929 A1 11/2001  
WO 2006048738 A1 5/2006  
WO 2007116914 A1 10/2007  
WO 2009129633 A1 10/2009  
WO 2009129636 A1 10/2009

OTHER PUBLICATIONS

“Orgapack ORT-250 Automatic Sealless Combo Strapping Tool”, located online at [www.uline.com/Product/Detail/H-2385/Poly-Strapping\\_Tools/Orgapack-ORT-250-Automatic-Sealless-Combo-Strapping-Tool.com](http://www.uline.com/Product/Detail/H-2385/Poly-Strapping_Tools/Orgapack-ORT-250-Automatic-Sealless-Combo-Strapping-Tool.com), available prior to Jan. 30, 2017 (1 page).  
Bender, “Lithium Ion Technology: Shaping Power Tool”, Air Conditioning, Heating, and Refrigeration News, vol. 228, Issue 14, p. 18 (3 pages), Jul. 31, 2006.  
Emandi, Ali, “Brushless DC Motor Drives”, Energy-Efficient Electrical Motors, 3rd ed., Para. 270-272, CRC Press & Marcel Dekker (3 pages).  
Orgapack GmbH, “OR-T 100, Battery-Hand Tool For Plastic Strapping”, Operating and Safety Instructions (53 pages), Nov. 1, 2004.  
Orgapack GmbH, “OR-T 120, Battery-Operated Hand Tool For Plastic Strapping”, Operating Instructions (36 pages), Sep. 1, 2012.  
Orgapack GmbH, “OR-T 200, Battery-Hand Tool For Plastic Strapping”, Operating and Safety Instructions (53 pages), Feb. 1, 2004.  
Orgapack GmbH, “OR-T 250, Battery-Hand Tool For Plastic Strapping”, Operating Instructions (36 pages), Sep. 1, 2009.  
Orgapack GmbH, “OR-T 300, Battery-Hand Tool For Plastic Strapping”, Operating and Safety Instructions (53 pages), Mar. 1, 2005.  
Orgapack GmbH, “OR-T 400, Battery-Hand Tool For Plastic Strapping”, Operating Instructions (19 pages), Sep. 1, 2009.  
Orgapack GmbH, “OR-T 50, Hand Tool For Plastic Strapping”, Operating and Safety Instructions (53 pages), May 1, 2006.  
Orgapack GmbH, “OR-T 83, Hand Tool For Plastic Strapping”, Operating Instructions (58 pages), Aug. 1, 2000.  
Orgapack GmbH, “OR-T 85, Hand Tool For Plastic Strapping”, Operating Instructions (58 pages), Jun. 1, 2000.  
Orgapack GmbH, “OR-T 86, Hand Tool For Plastic Strapping”, Operating Instructions (58 pages), Aug. 1, 1999.  
Orgapack GmbH, “OR-T 87, Hand Tool For Plastic Strapping”, Operating and Safety Instructions (63 pages), May 1, 2002.

\* cited by examiner

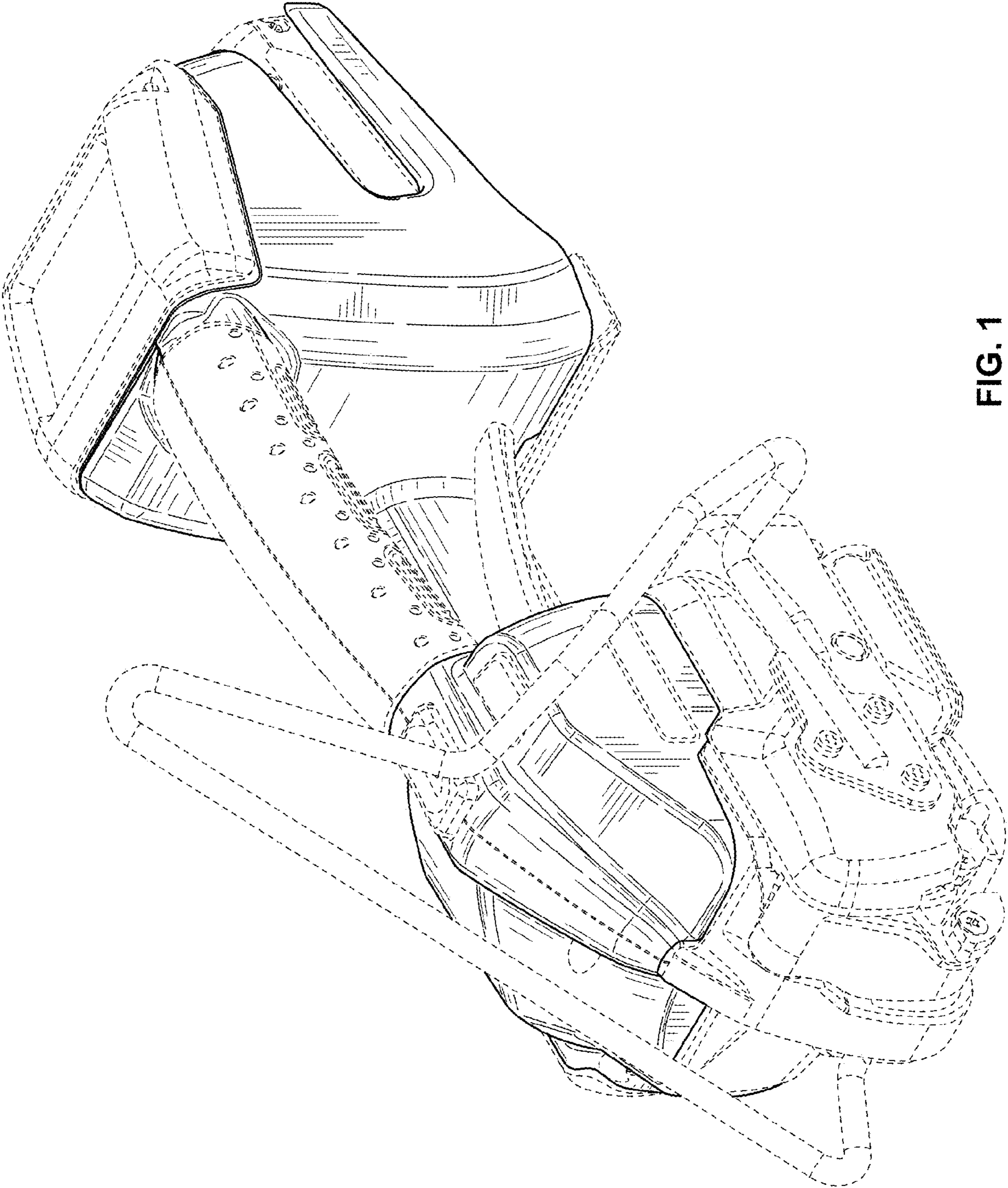


FIG. 1

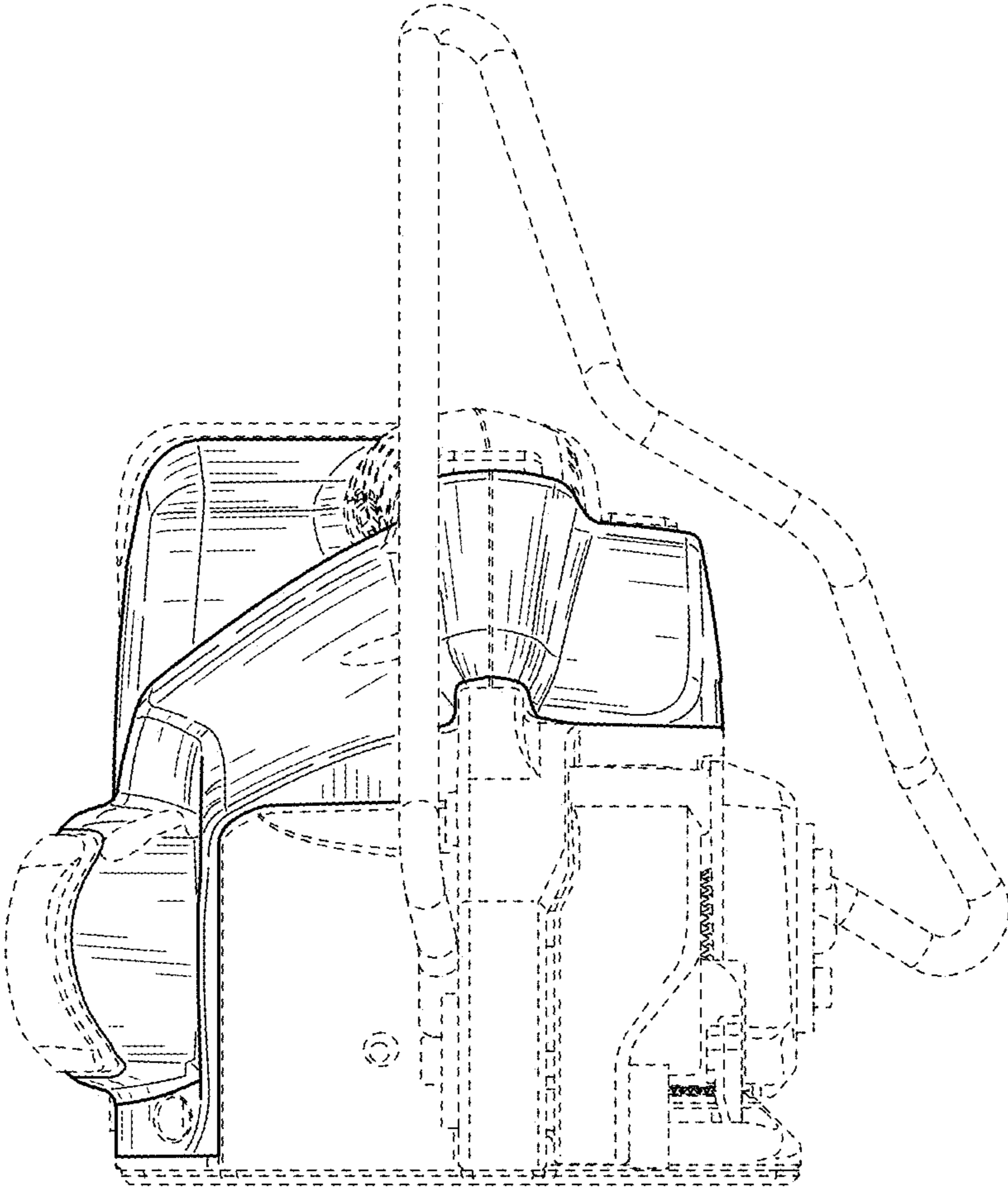


FIG. 2

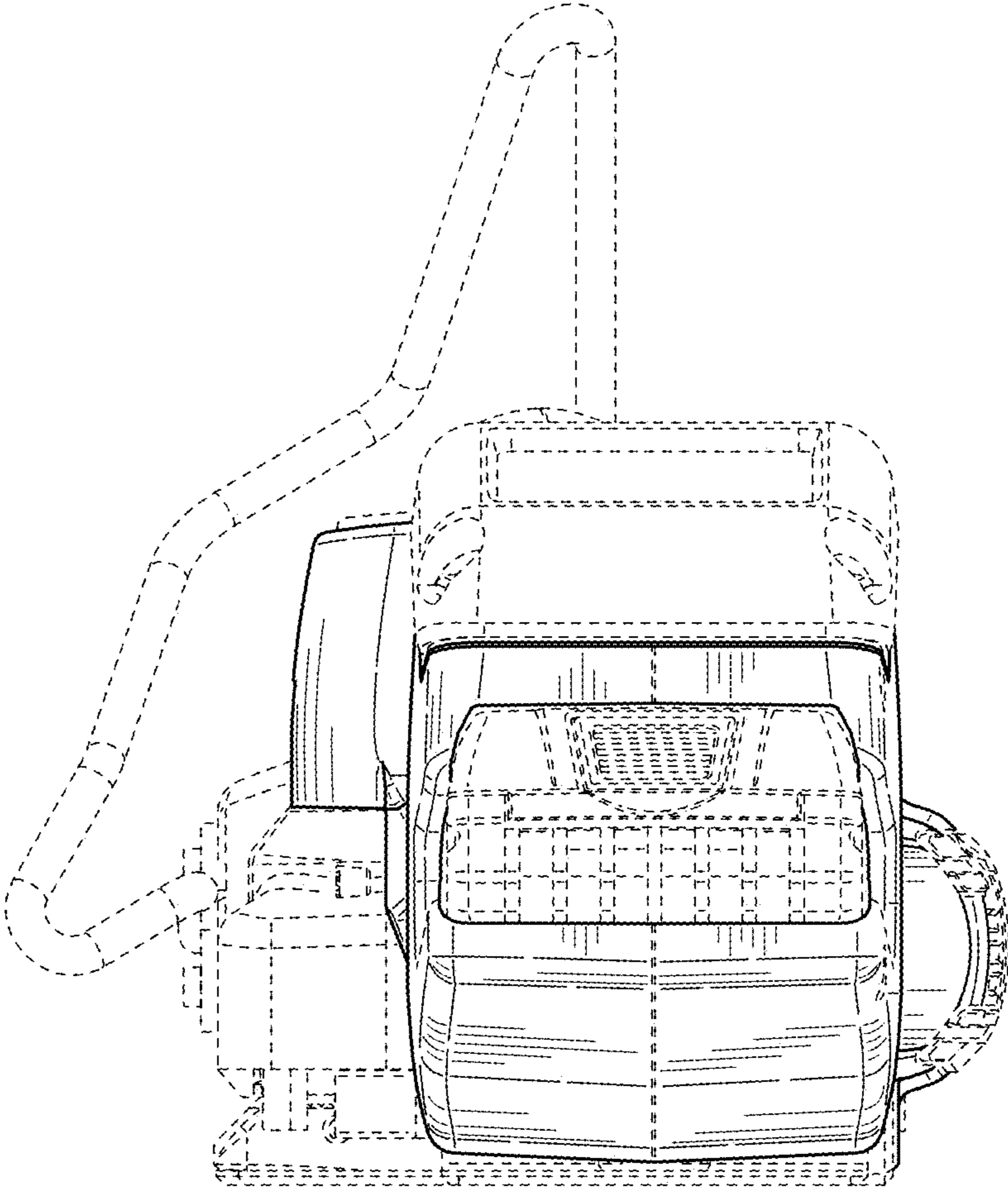


FIG. 3

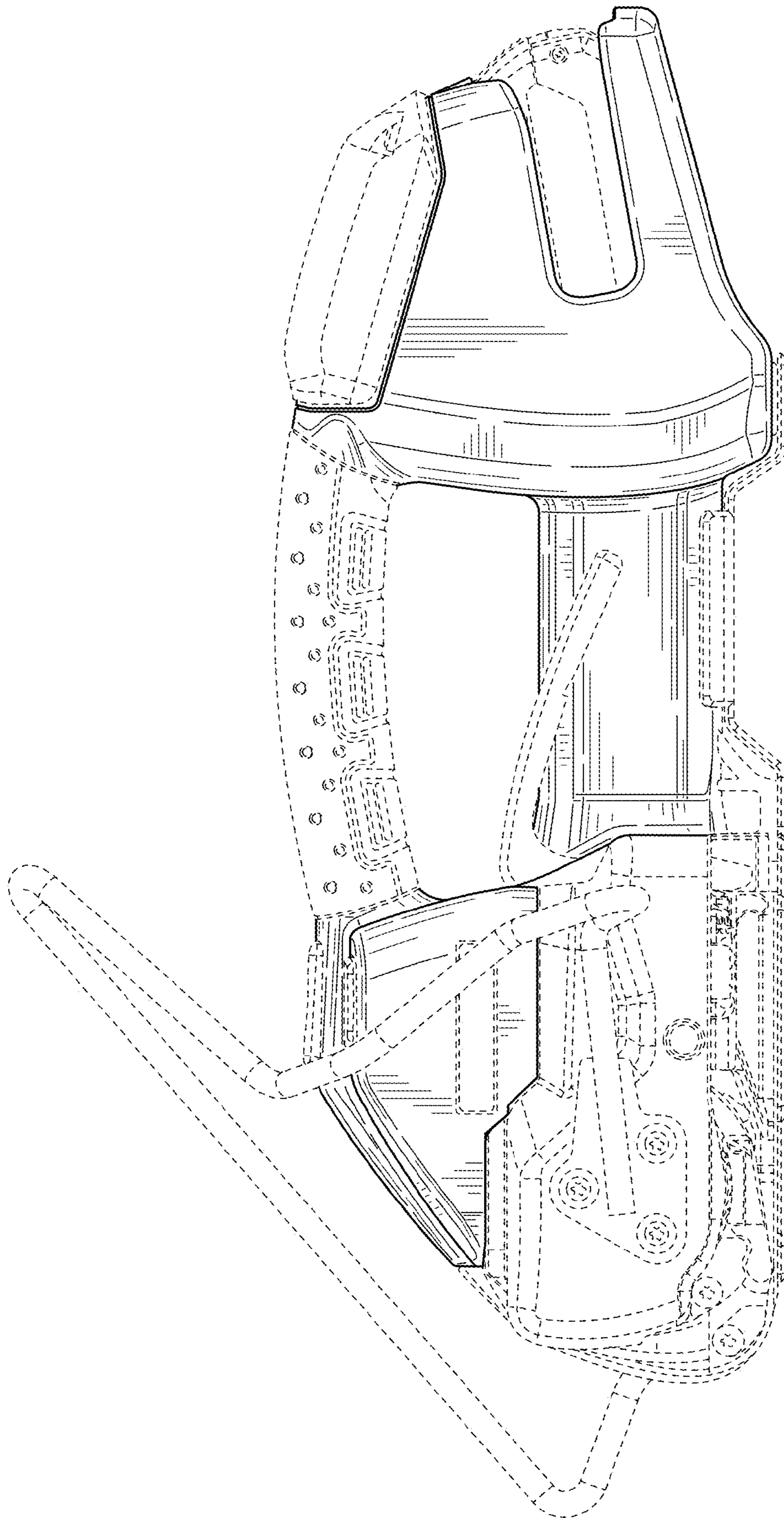


FIG. 4

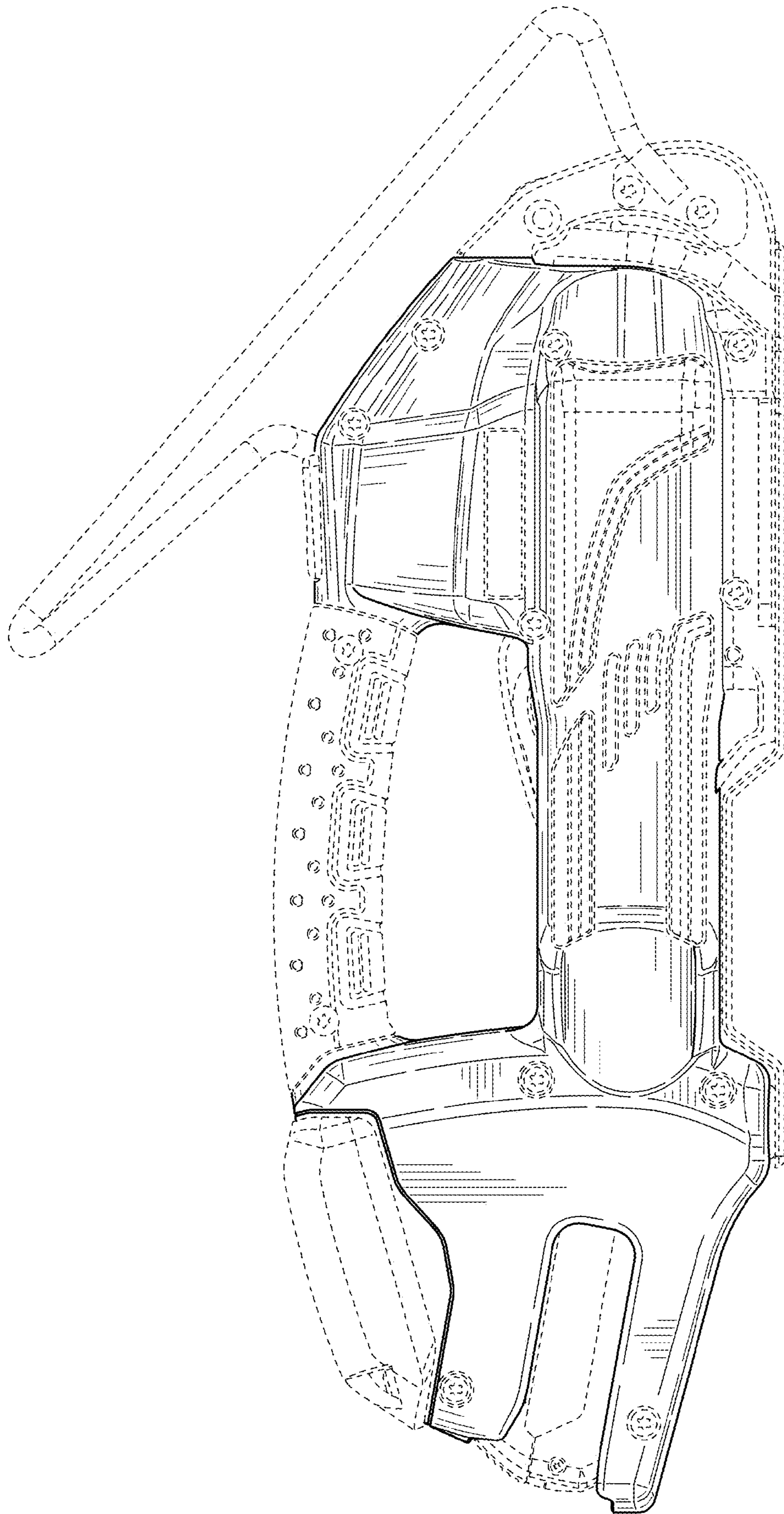


FIG. 5



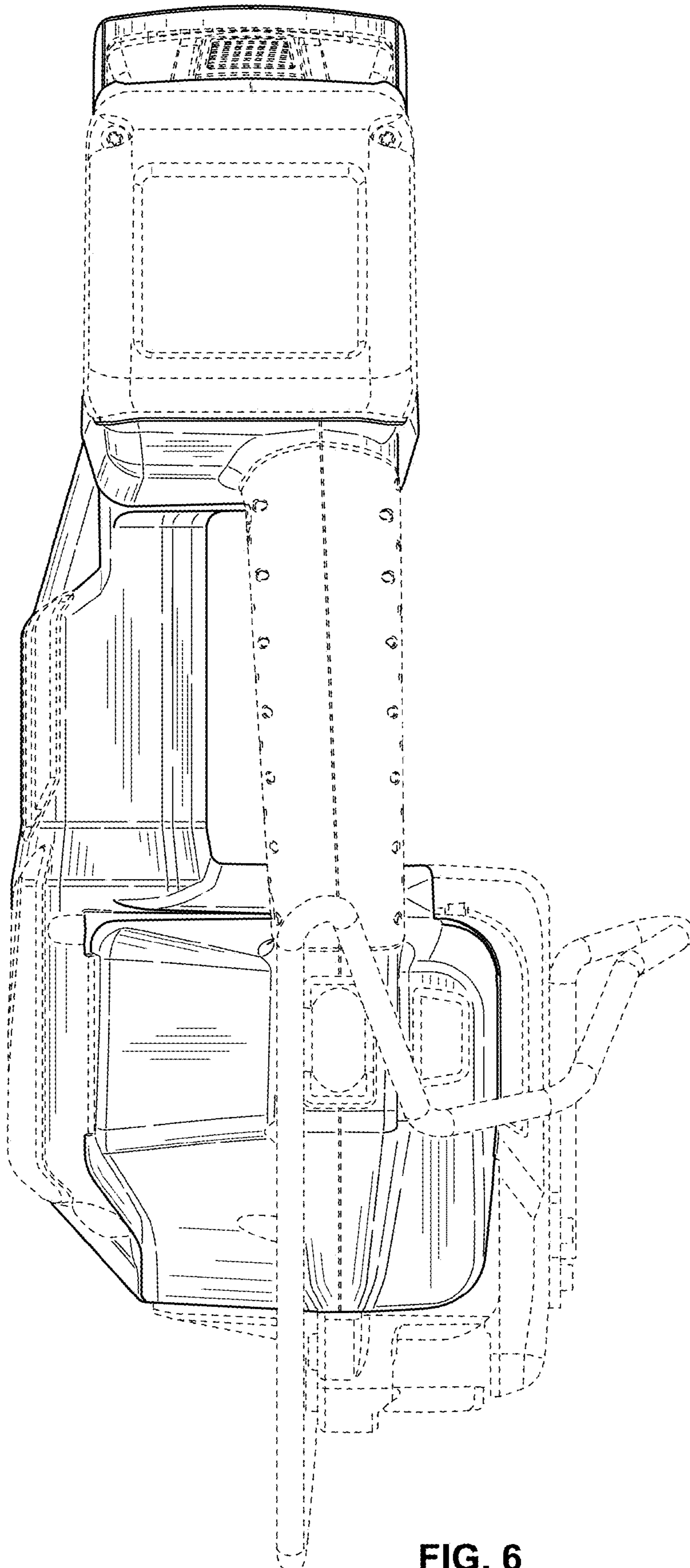


FIG. 6

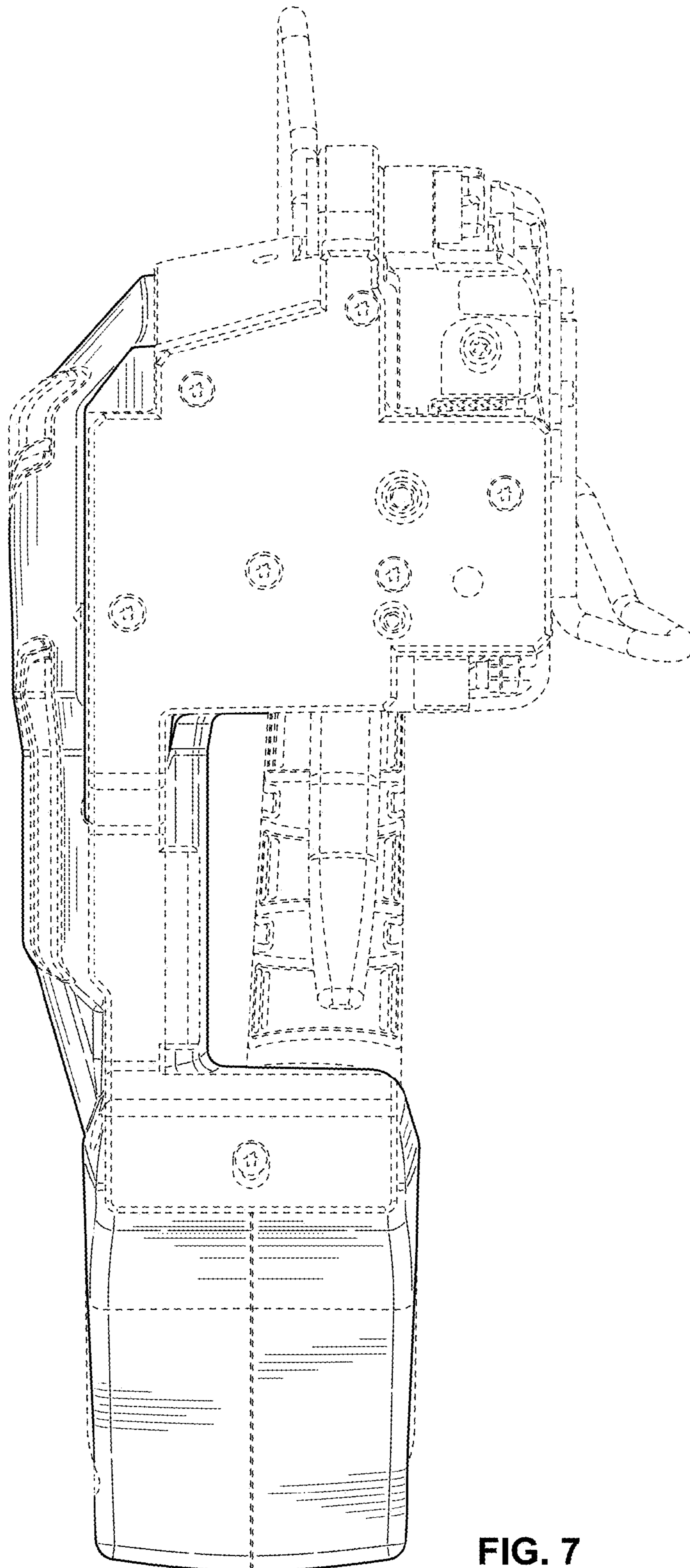


FIG. 7

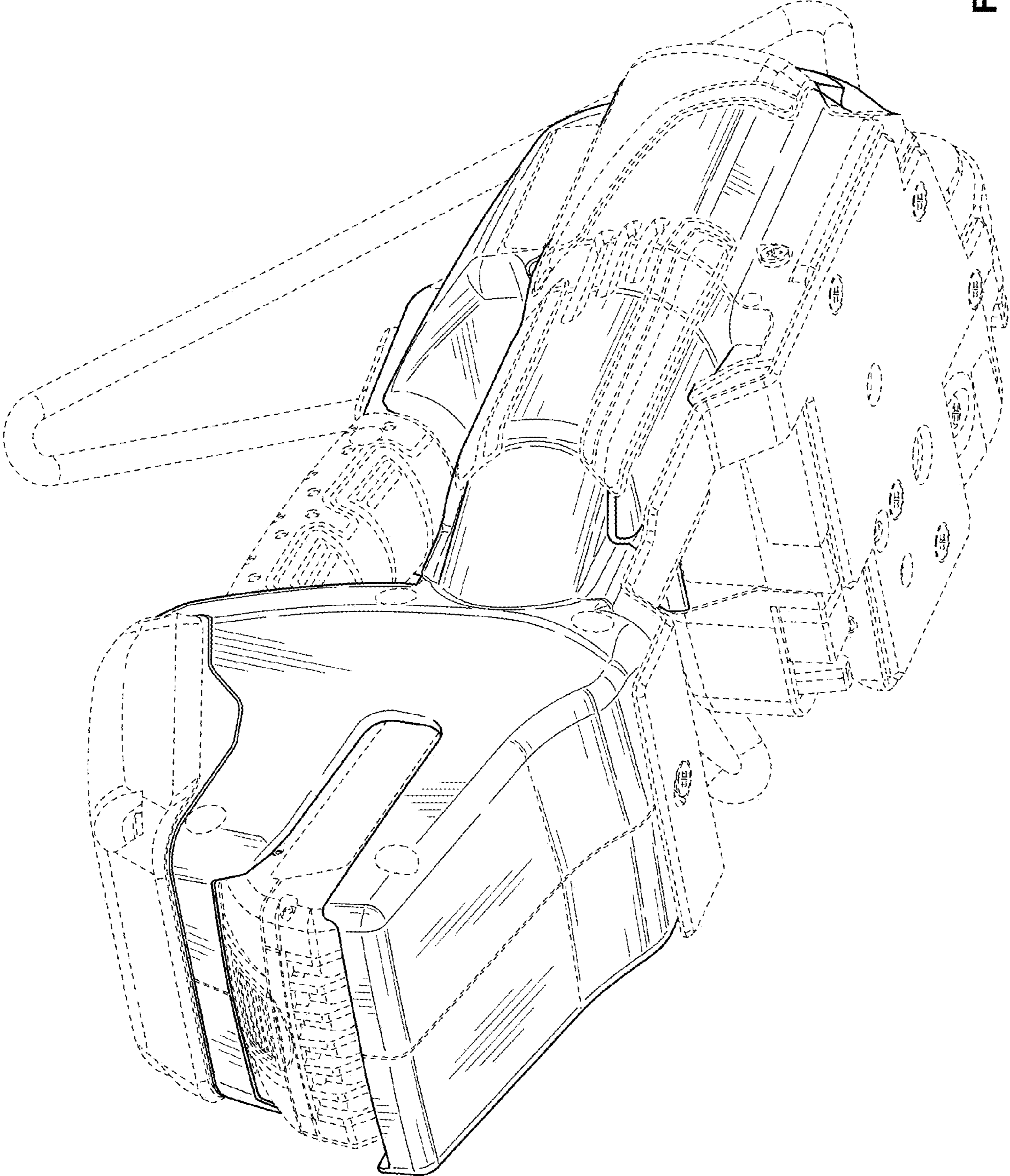


FIG. 8