



US00D917996S

(12) **United States Design Patent** (10) **Patent No.:** **US D917,996 S**  
**Arker** (45) **Date of Patent:** **\*\* May 4, 2021**

(54) **PACKAGING MACHINE**  
(71) Applicant: **ErgoPack Deutschland GmbH**,  
Lauingen (DE)  
(72) Inventor: **Karlheinz Arker**, Lauingen (DE)  
(73) Assignee: **ErgoPack Deutschland GmbH**,  
Lauingen (DE)  
(\*\*) Term: **15 Years**  
(21) Appl. No.: **29/721,299**  
(22) Filed: **Jan. 20, 2020**  
(30) **Foreign Application Priority Data**  
Jul. 22, 2019 (EM) ..... 006640686  
(51) **LOC (13) Cl.** ..... **08-05**  
(52) **U.S. Cl.**  
USPC ..... **D8/61; D15/145**  
(58) **Field of Classification Search**  
USPC ..... D8/41, 61, 67; D15/122, 145, 146, 199  
CPC ..... B65B 13/00; B65B 13/06; B65B 13/16;  
B65B 13/18; B65B 13/32; B65B 13/285;  
B65B 57/04; B65B 59/04; B65B 2210/12;  
E04G 21/122; E04G 21/123  
See application file for complete search history.

(56) **References Cited**  
**U.S. PATENT DOCUMENTS**  
6,109,325 A \* 8/2000 Chang ..... B65B 13/025  
100/32  
6,308,760 B1 \* 10/2001 Finzo ..... B65B 13/025  
100/33 PB  
7,073,431 B1 \* 7/2006 Chen ..... B65B 13/187  
100/29  
D651,498 S \* 1/2012 Neeser ..... D8/67  
D653,923 S \* 2/2012 Neeser ..... D8/67

D654,178 S \* 2/2012 Antonio ..... D24/187  
9,315,283 B2 \* 4/2016 Neeser ..... B65B 13/187  
9,932,135 B2 \* 4/2018 Finzo ..... B65B 13/187  
D864,688 S \* 10/2019 Hochstrasser ..... D8/61  
D874,897 S \* 2/2020 Hochstrasser ..... D8/61  
D889,229 S \* 7/2020 Hochstrasser ..... D8/61  
D904,151 S \* 12/2020 Hochstrasser ..... D8/61  
(Continued)

**OTHER PUBLICATIONS**

ErgoPack Deutschland GmbH, "ErgoPack Brochure", 2017, p. 24,  
Publisher: ErgoPack Deutschland GmbH.

*Primary Examiner* — Patricia A Palasik  
(74) *Attorney, Agent, or Firm* — Neugeboren O'Dowd PC

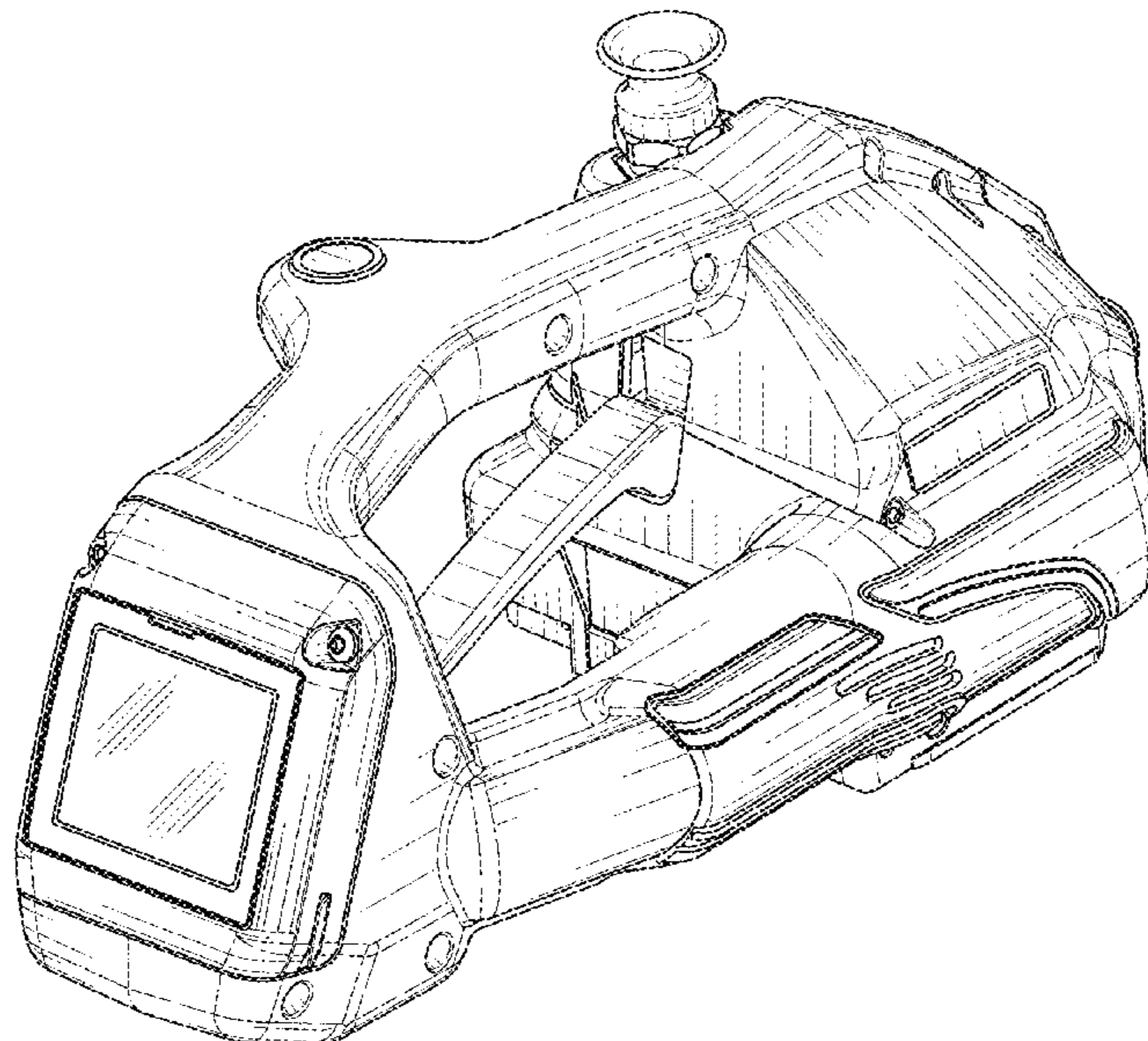
(57) **CLAIM**

The ornamental design for a packaging machine, as shown  
and described.

**DESCRIPTION**

FIG. 1 is a top, front perspective view of a packaging  
machine;  
FIG. 2 is a top, back perspective view of the packaging  
machine in FIG. 1;  
FIG. 3 is a first side view of the packaging machine in FIG.  
1;  
FIG. 4 is a second side view of the packaging machine in  
FIG. 1;  
FIG. 5 is a back view of the packaging machine in FIG. 1;  
FIG. 6 is a front view of the packaging machine in FIG. 1;  
FIG. 7 is a top view of the packaging machine in FIG. 1; and,  
FIG. 8 is a bottom view of the packaging machine in FIG.  
1.  
The broken lines showing portions of the design in all  
figures are included for the purpose of illustrating portions  
of the packaging machine and form no part of the claimed  
design.

**1 Claim, 7 Drawing Sheets**



(56)

**References Cited**

U.S. PATENT DOCUMENTS

2011/0056389 A1\* 3/2011 Neeser ..... B65B 13/025  
100/29  
2012/0210682 A1\* 8/2012 Gardner ..... B65B 13/345  
53/592  
2014/0290179 A1\* 10/2014 Keller ..... B29C 66/8161  
53/399  
2016/0107775 A1\* 4/2016 Amacker ..... B25F 5/02  
100/29

\* cited by examiner

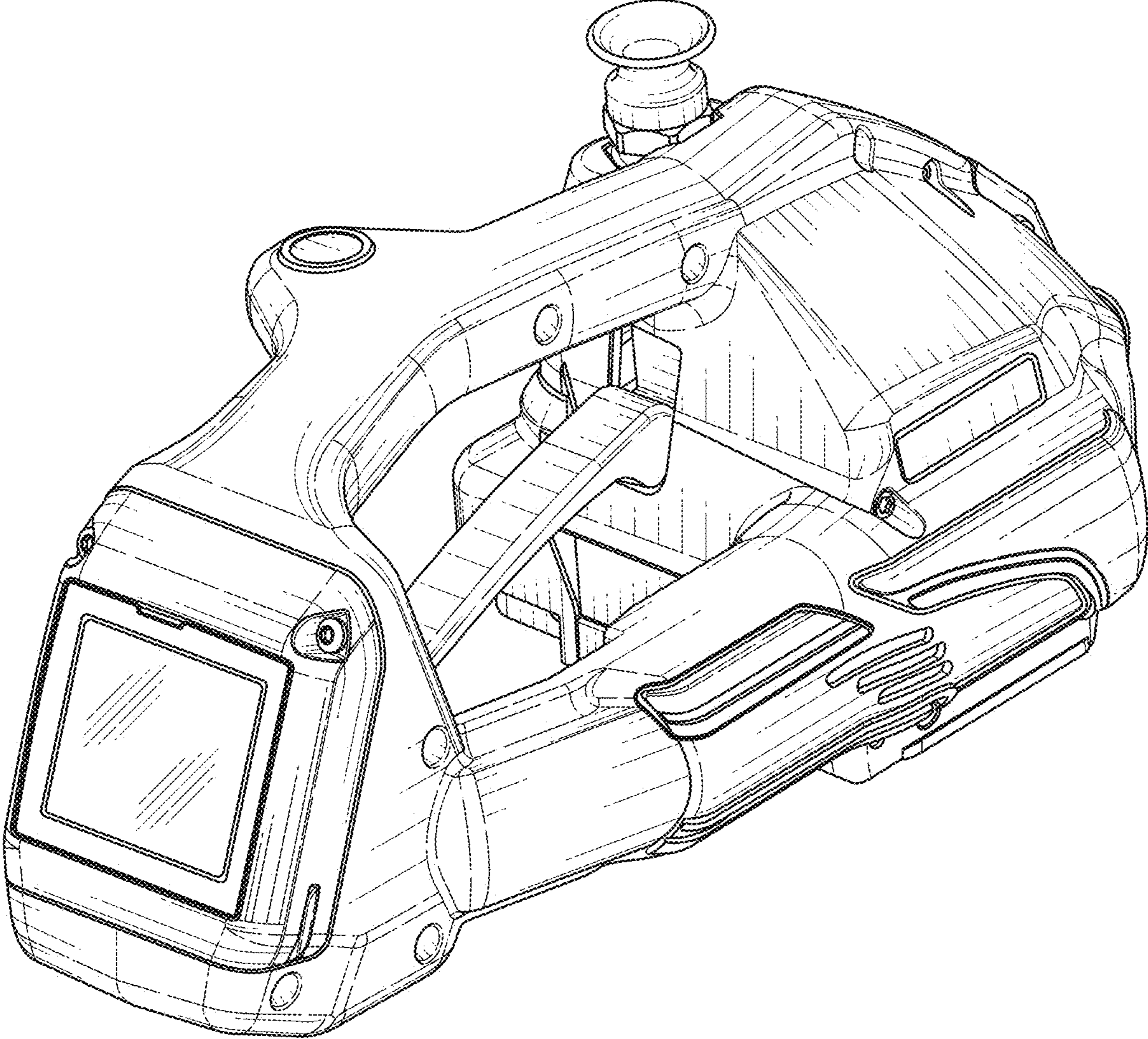


FIG. 1

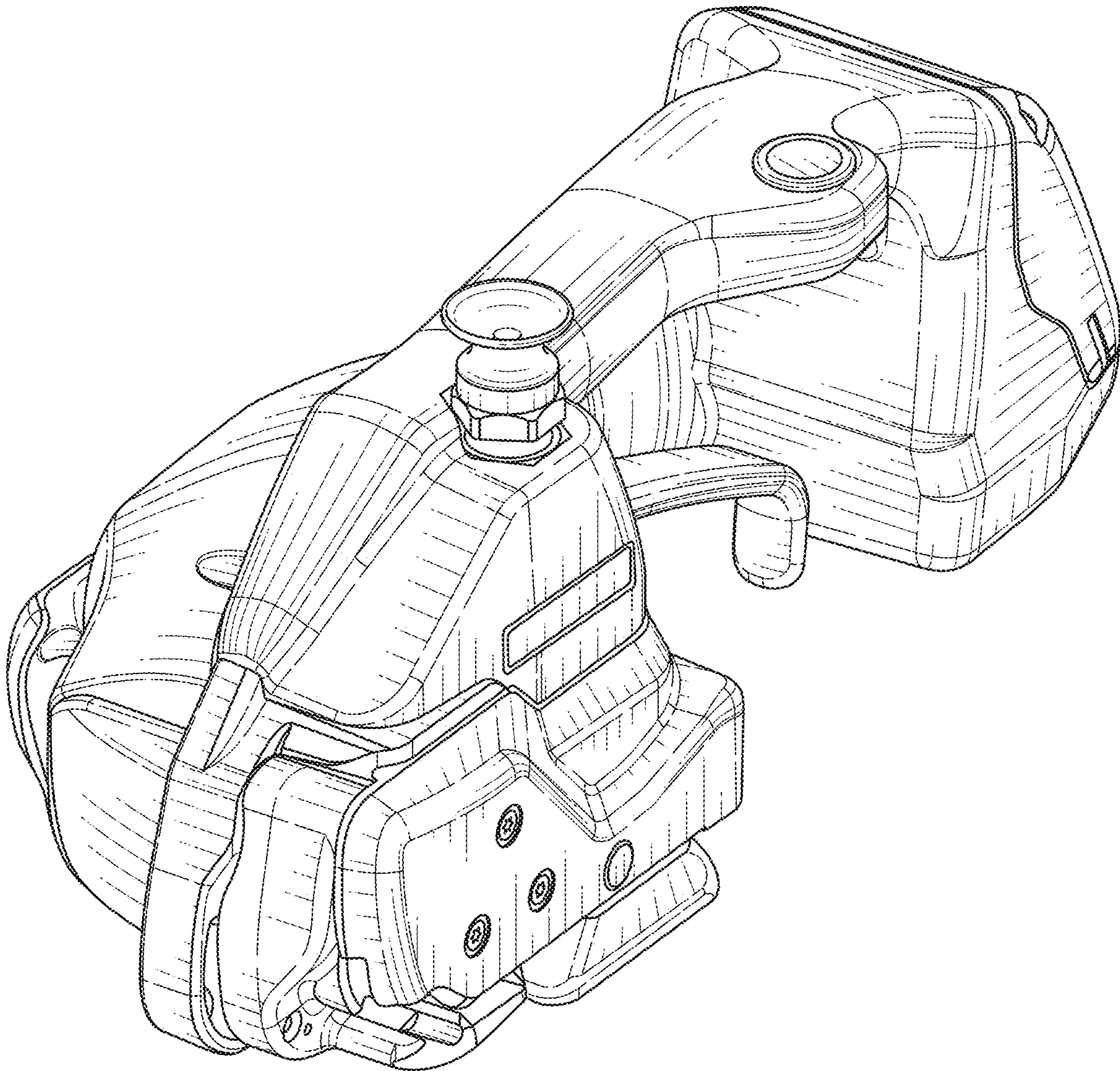


FIG. 2

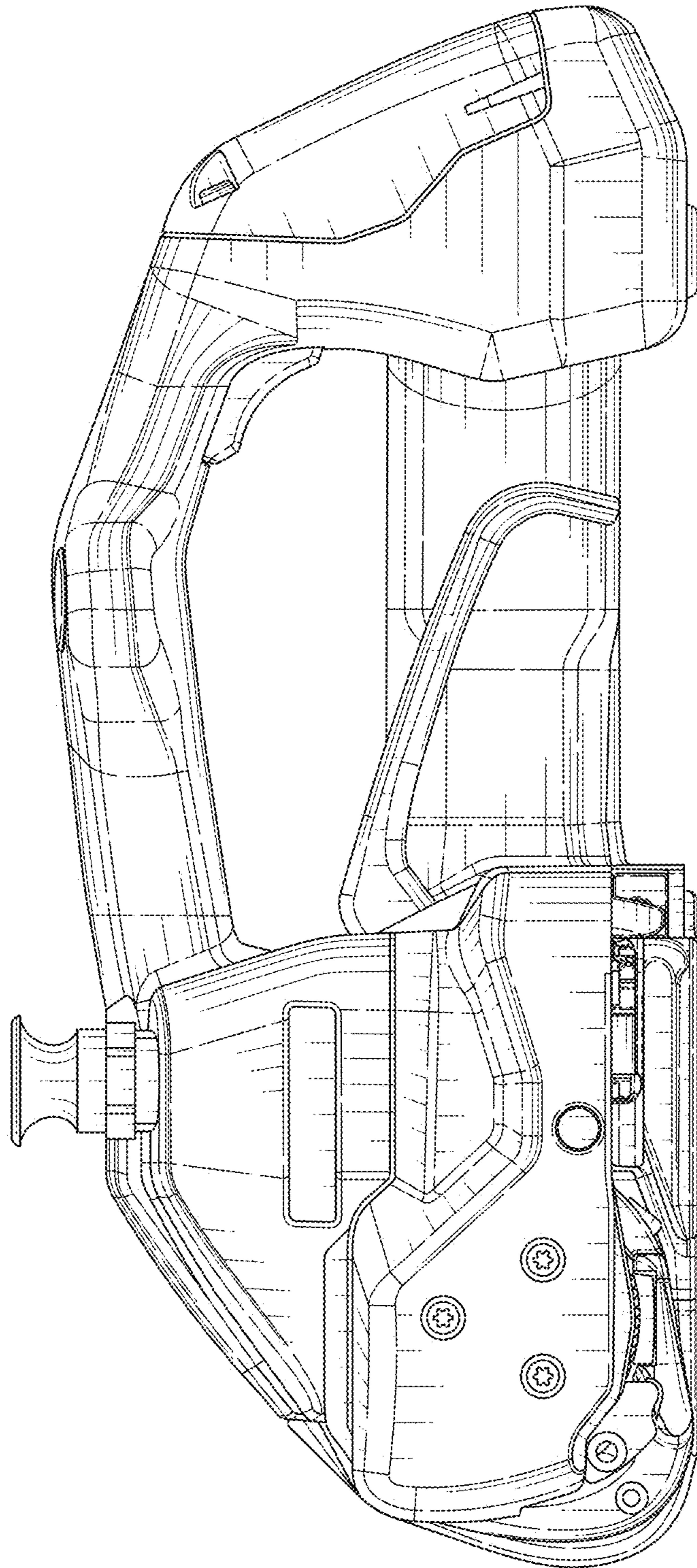


FIG. 3

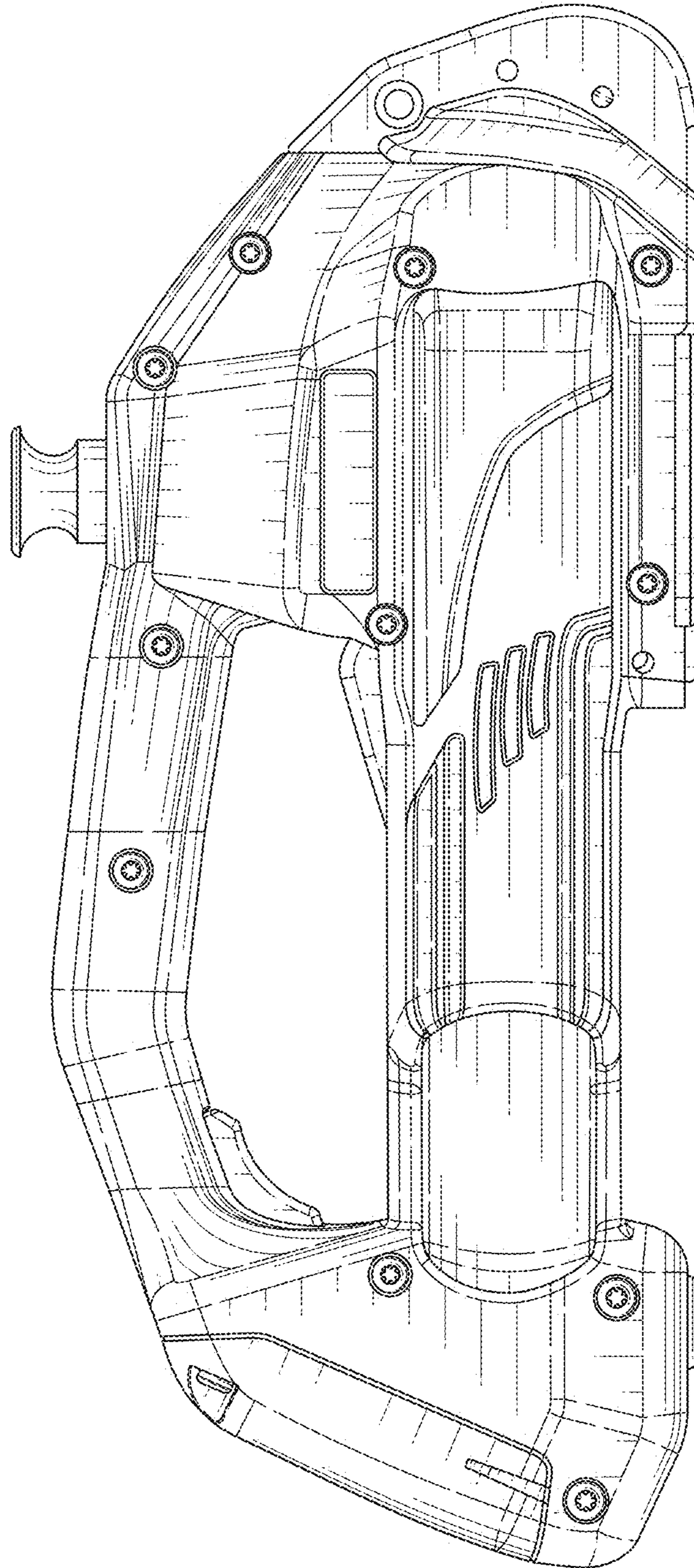


FIG. 4

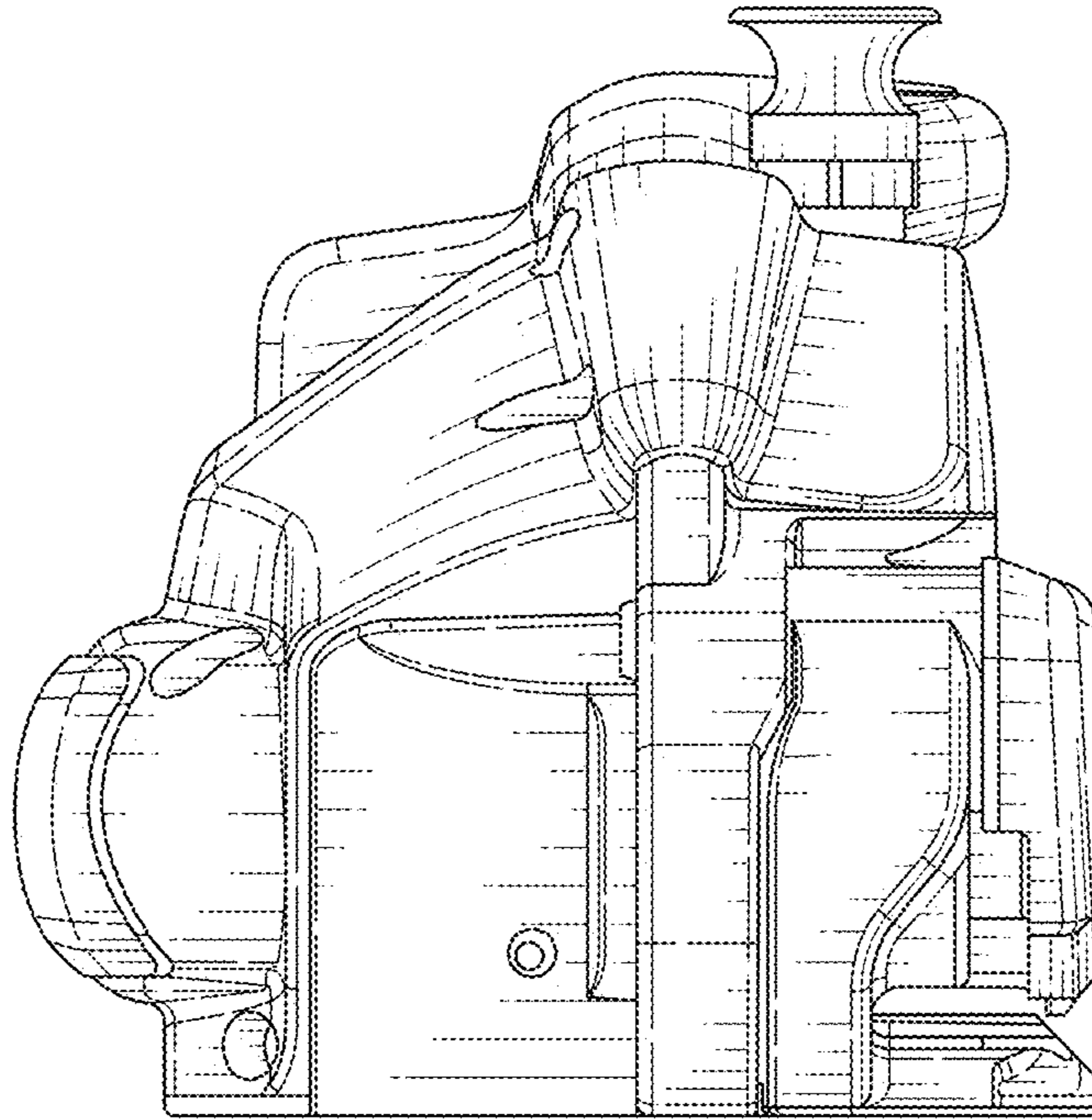


FIG. 5

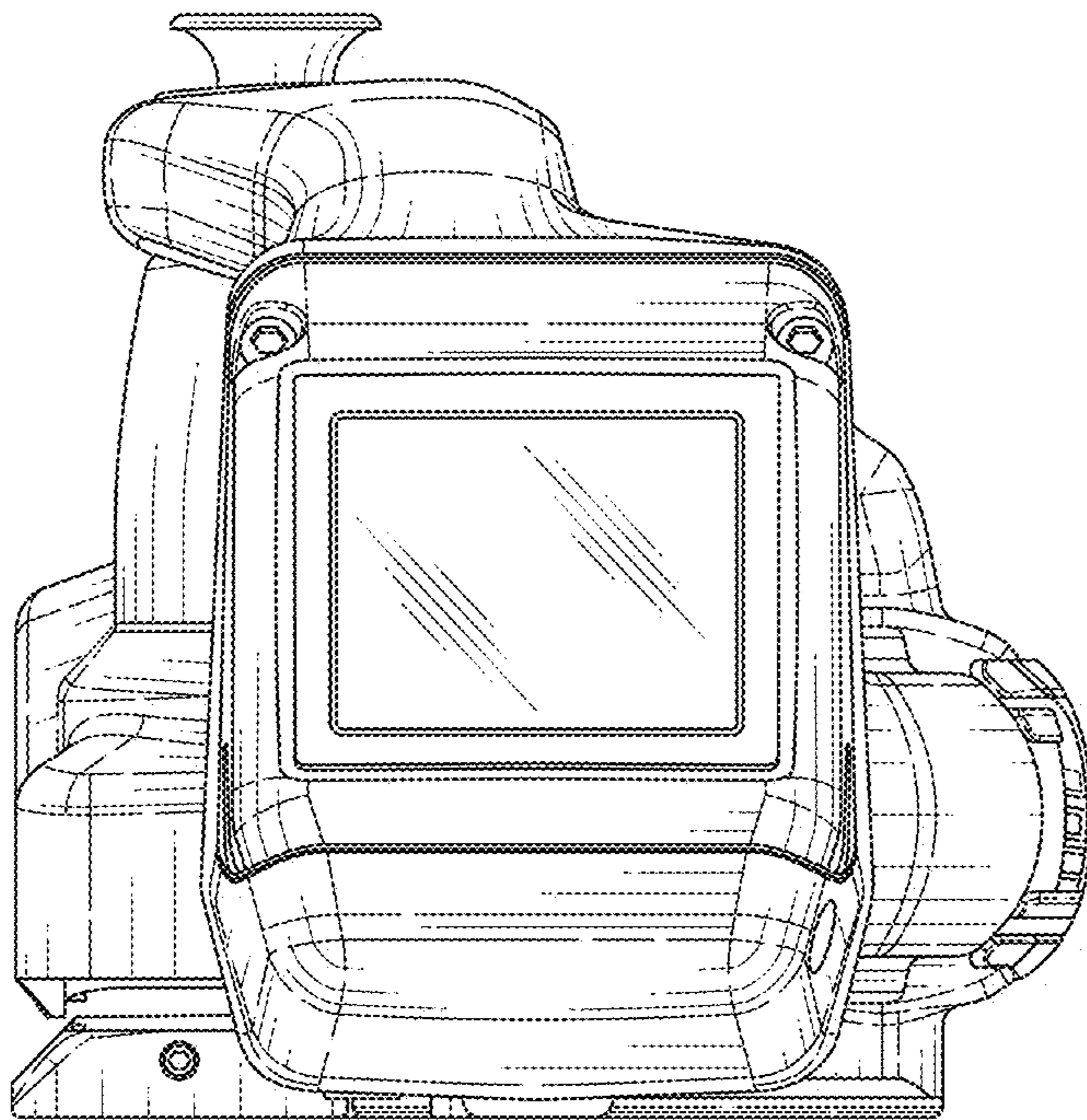


FIG. 6

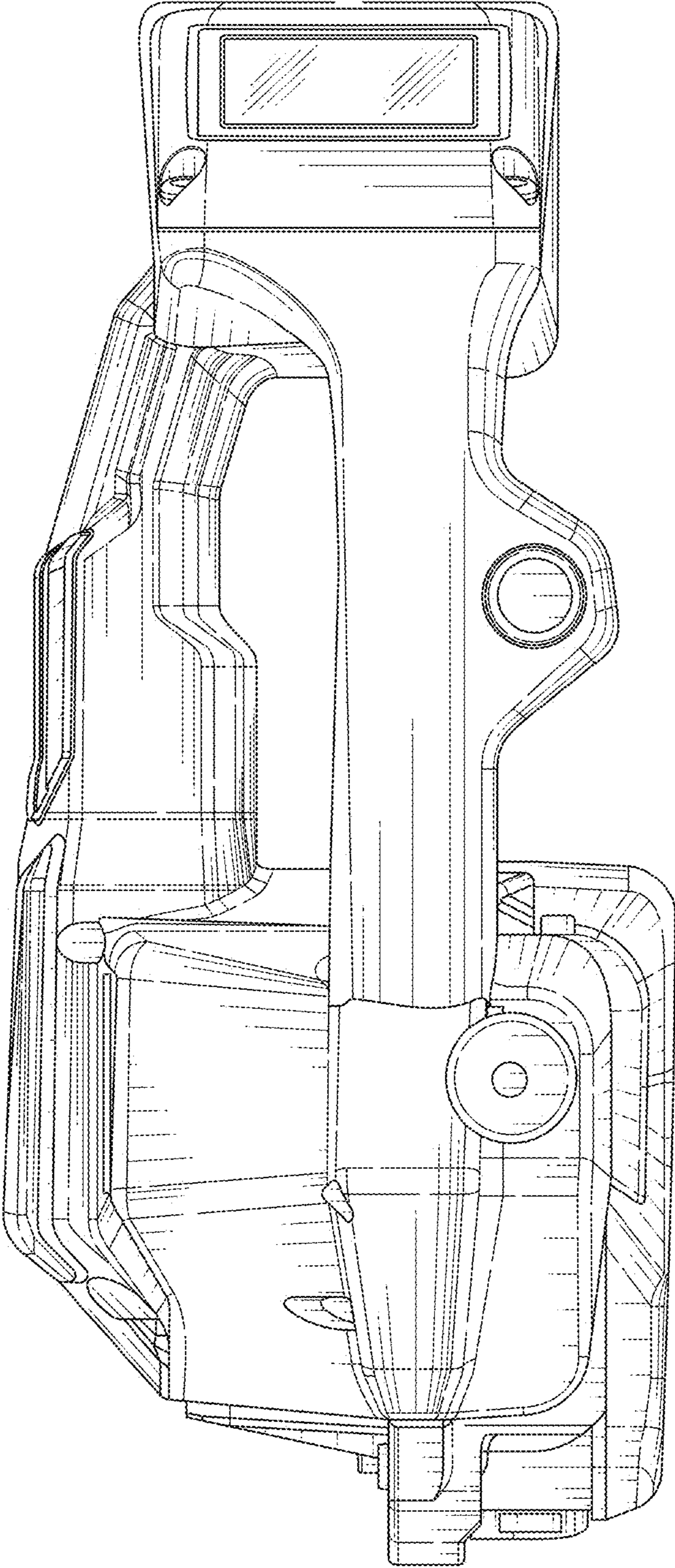


FIG. 7



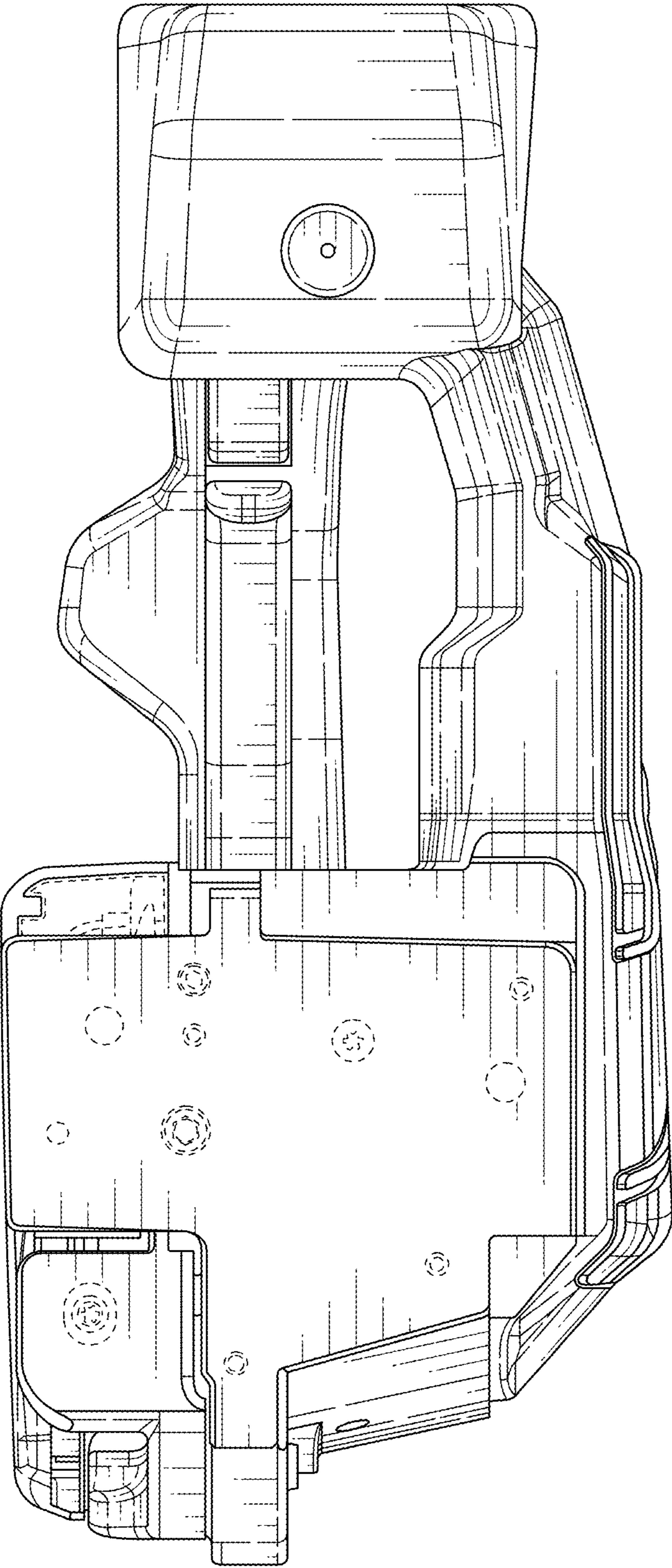


FIG. 8