



US00D917995S

(12) **United States Design Patent** (10) **Patent No.:** **US D917,995 S**
Grube (45) **Date of Patent:** **** May 4, 2021**

(54) **TROWEL**
(71) Applicant: **VIM Products, Inc.**, Raleigh, NC (US)
(72) Inventor: **Steven Grube**, Raleigh, NC (US)
(73) Assignee: **VIM Products, Inc.**, Raleigh, NC (US)
(**) Term: **15 Years**
(21) Appl. No.: **29/694,303**
(22) Filed: **Jun. 10, 2019**
(51) **LOC (13) Cl.** **08-05**
(52) **U.S. Cl.**
USPC **D8/45**
(58) **Field of Classification Search**
USPC D8/14, 45
CPC E04F 21/161; E04F 21/162; E04F 21/16;
E04F 21/1655
See application file for complete search history.

5,522,111 A * 6/1996 Kelsay B25G 1/10
15/143.1
D376,522 S * 12/1996 Tena D8/45
D403,815 S 1/1999 Inerbickler
6,247,204 B1 * 6/2001 Hamby B25G 1/10
16/431
D557,578 S * 12/2007 Miller D8/45
D561,548 S * 2/2008 Martin D8/45
7,370,384 B2 * 5/2008 Miller E04F 21/162
15/235.4
D588,426 S * 3/2009 Martin D8/45
7,543,350 B2 6/2009 Cheney et al.
D624,720 S 9/2010 Motsenbocker
9,027,196 B1 5/2015 Solak
2007/0169298 A1 7/2007 Marshall, III
2017/0073983 A1 * 3/2017 Freudenreich A23B 4/16

* cited by examiner

Primary Examiner — Philip S Hyder
(74) *Attorney, Agent, or Firm* — Olive & Olive, P.A.

(57) **CLAIM**

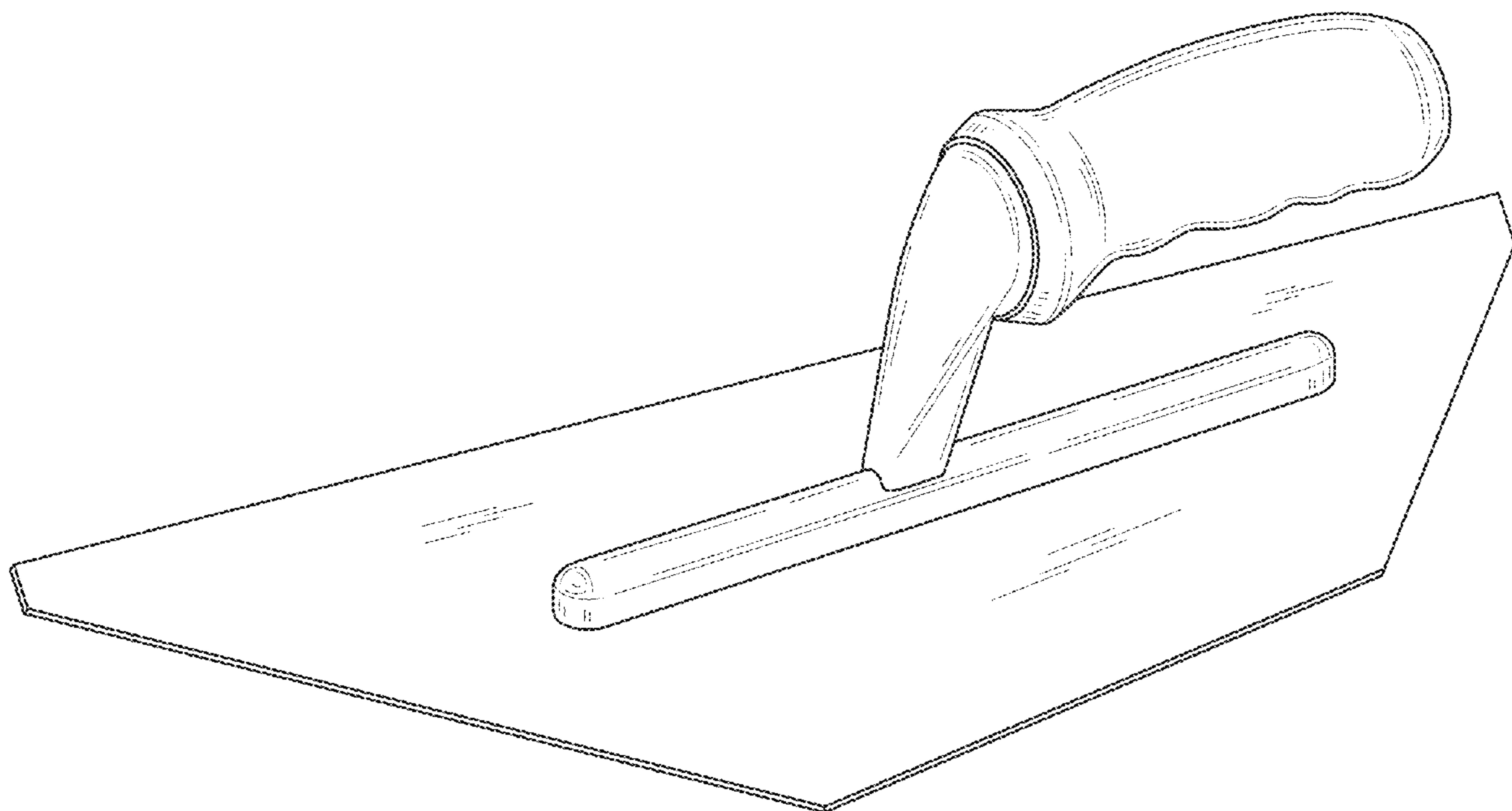
The ornamental design for a design for a trowel, as shown and described.

DESCRIPTION

FIG. 1 is a front perspective view of a trowel showing the new design;
FIG. 2 is a rear perspective view thereof;
FIG. 3 is a top plan view thereof;
FIG. 4 is a bottom plan view thereof;
FIG. 5 is a front elevation view thereof;
FIG. 6 is a rear elevation view thereof;
FIG. 7 is a right side elevation view thereof; and,
FIG. 8 a left side elevation view thereof.

1 Claim, 7 Drawing Sheets

(56) **References Cited**
U.S. PATENT DOCUMENTS
2,076,836 A * 4/1937 Goldblatt E04F 21/06
16/110.1
4,375,709 A 3/1983 Lewis
4,467,492 A * 8/1984 Harrington E04F 21/06
15/143.1
4,524,572 A * 6/1985 Wilde A01D 45/008
171/28
D289,882 S * 5/1987 Gringer D8/45
D296,294 S * 6/1988 Neece D8/45
5,075,916 A 12/1991 Englehart
5,239,725 A 8/1993 White
D343,559 S 1/1994 Liberty



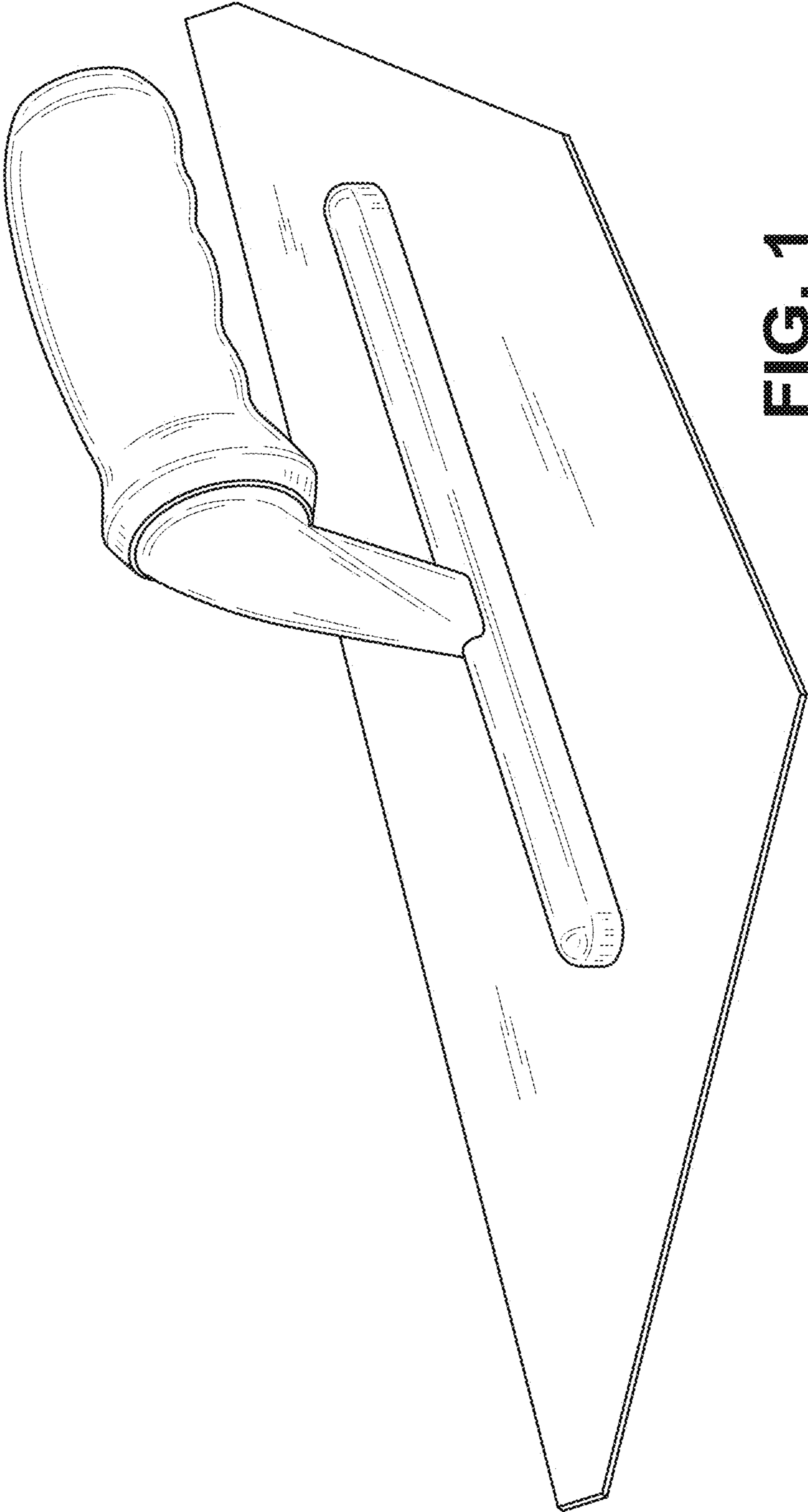


FIG. 1

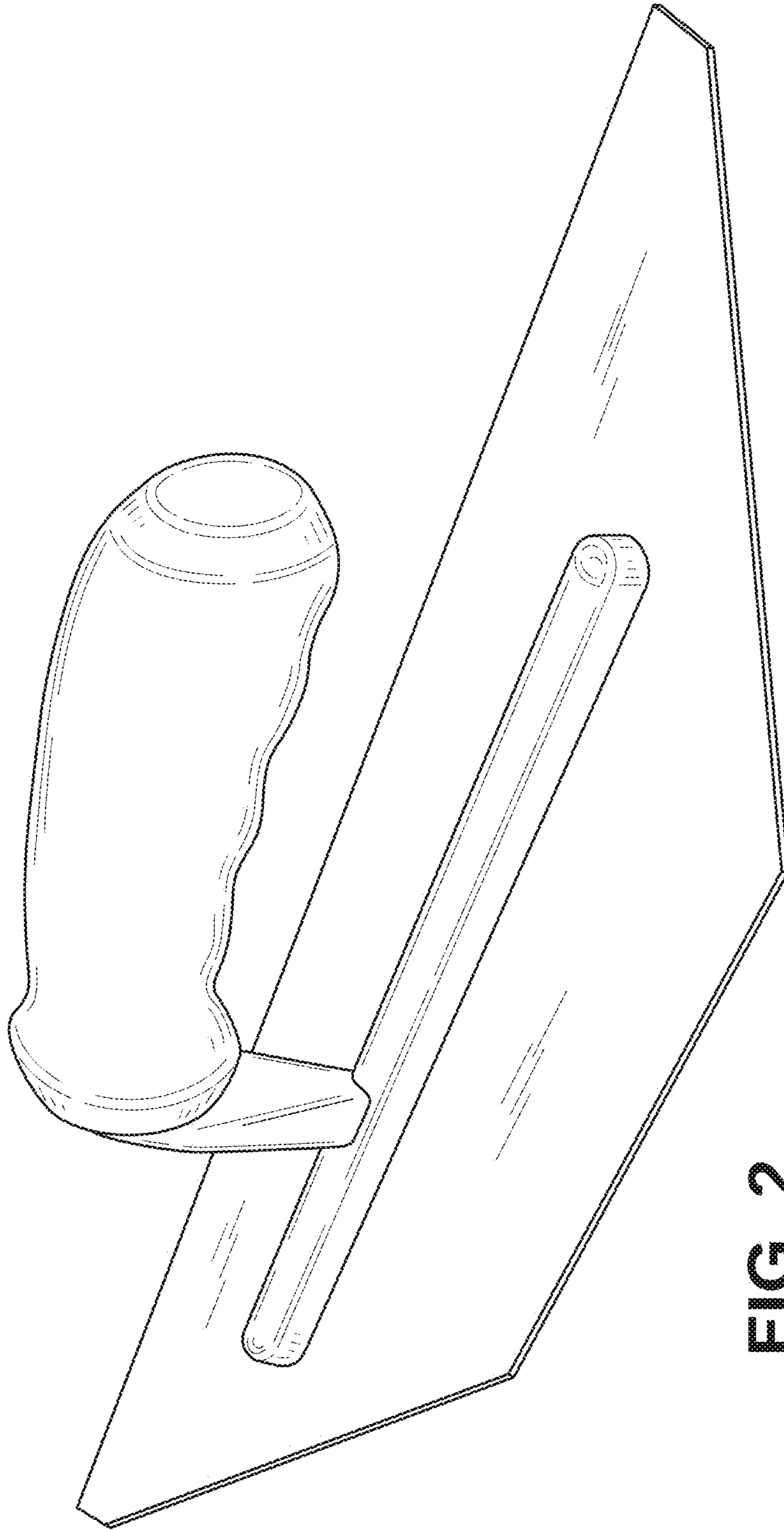


FIG. 2

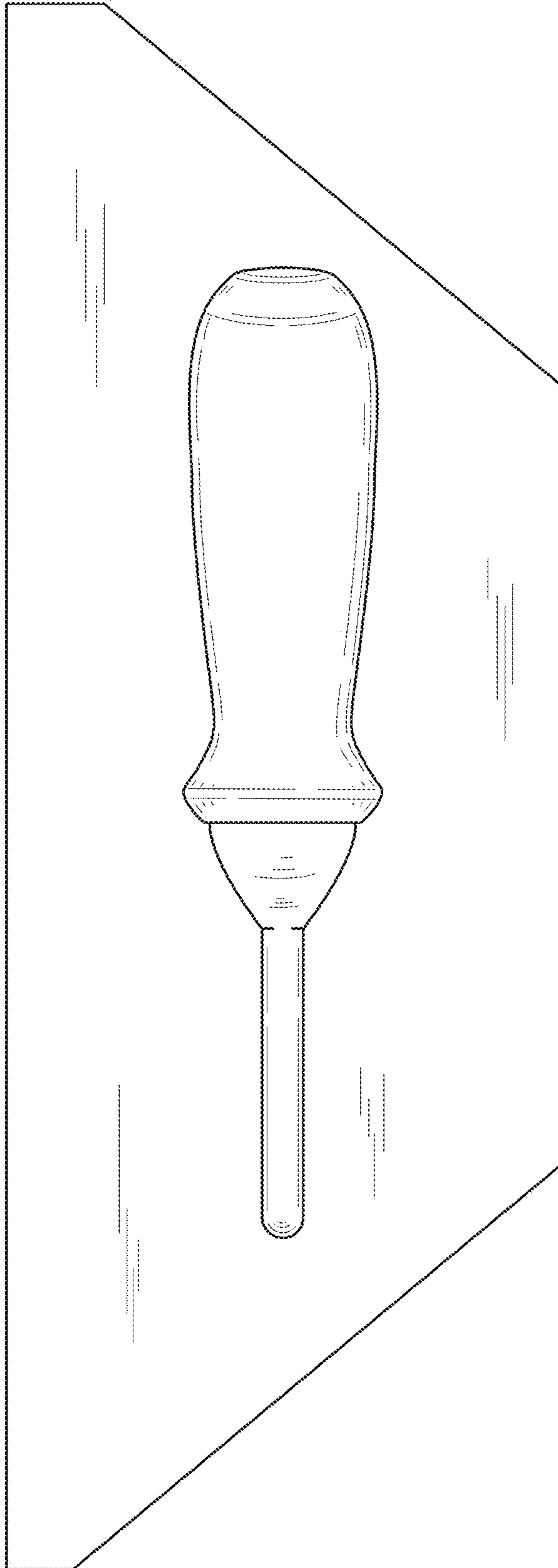


FIG. 3

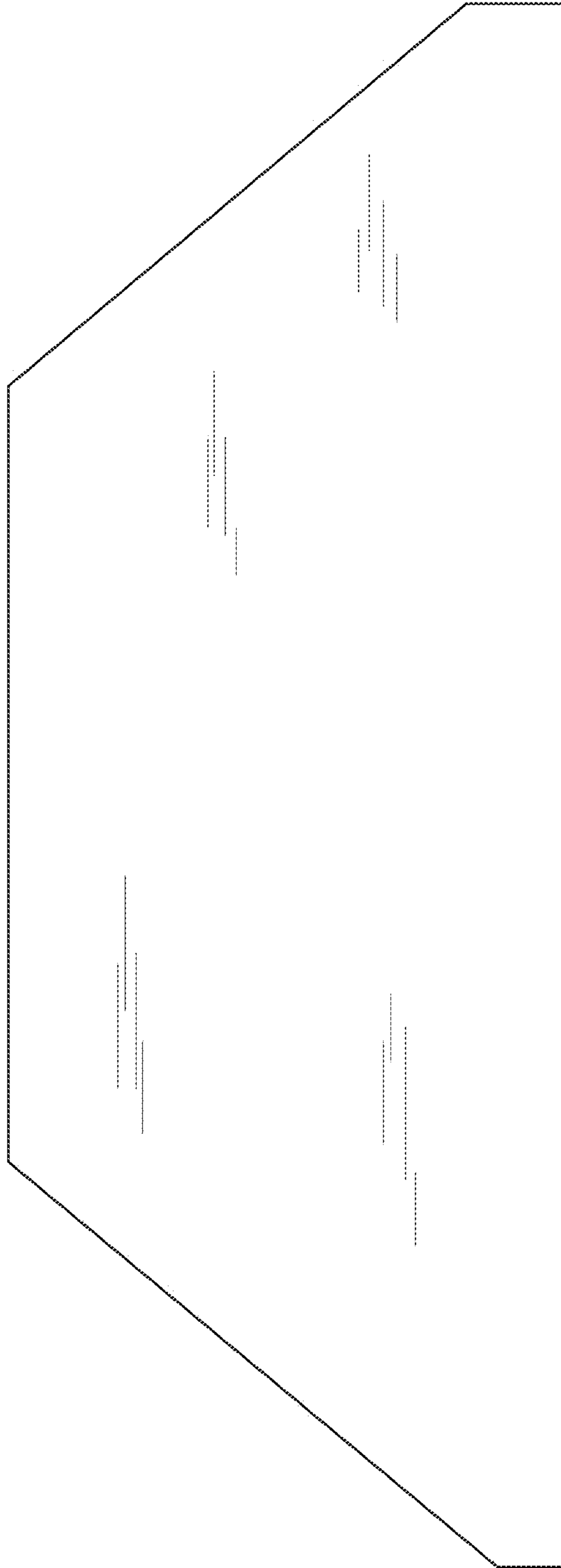


FIG. 4

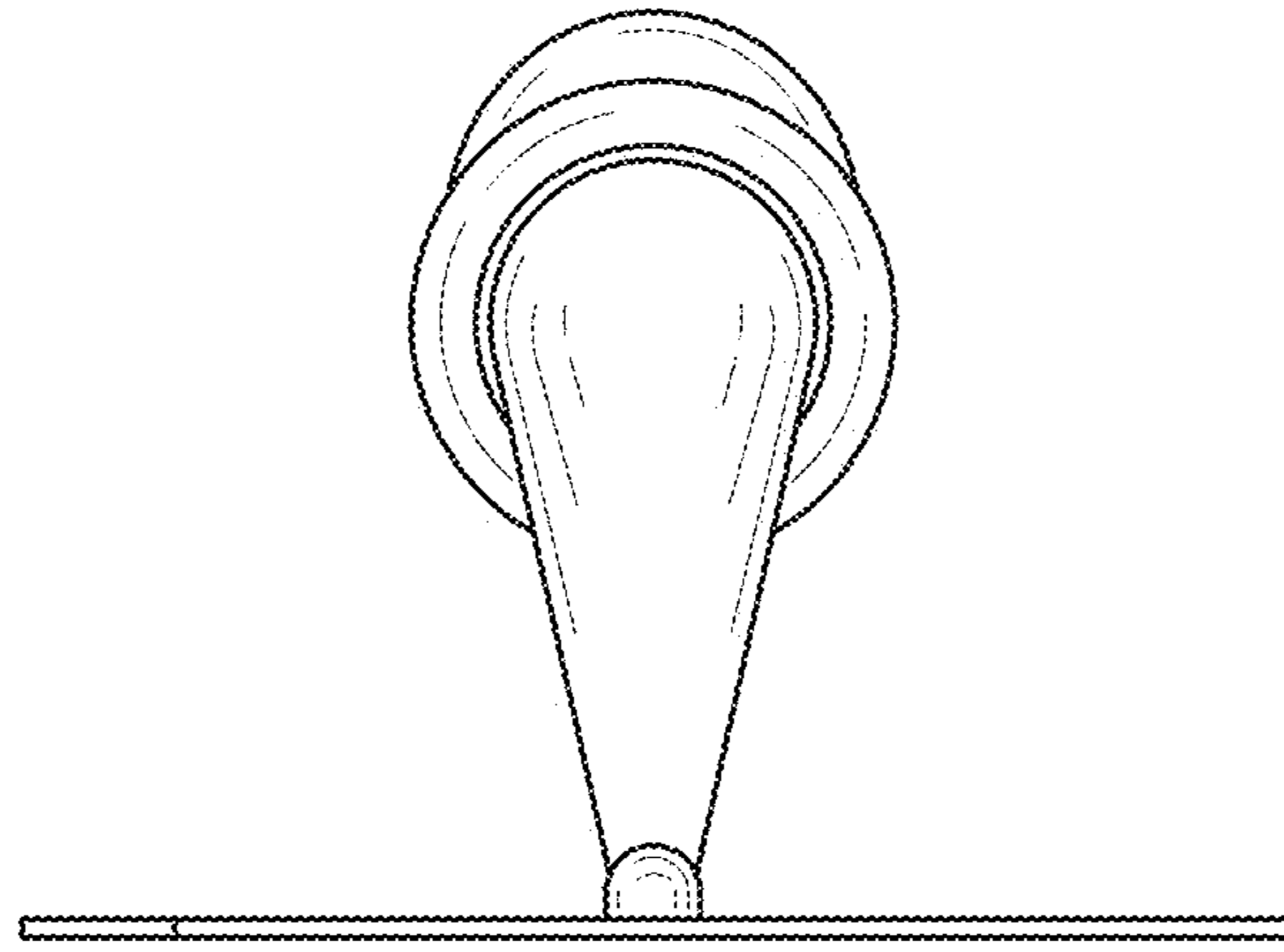


FIG. 5

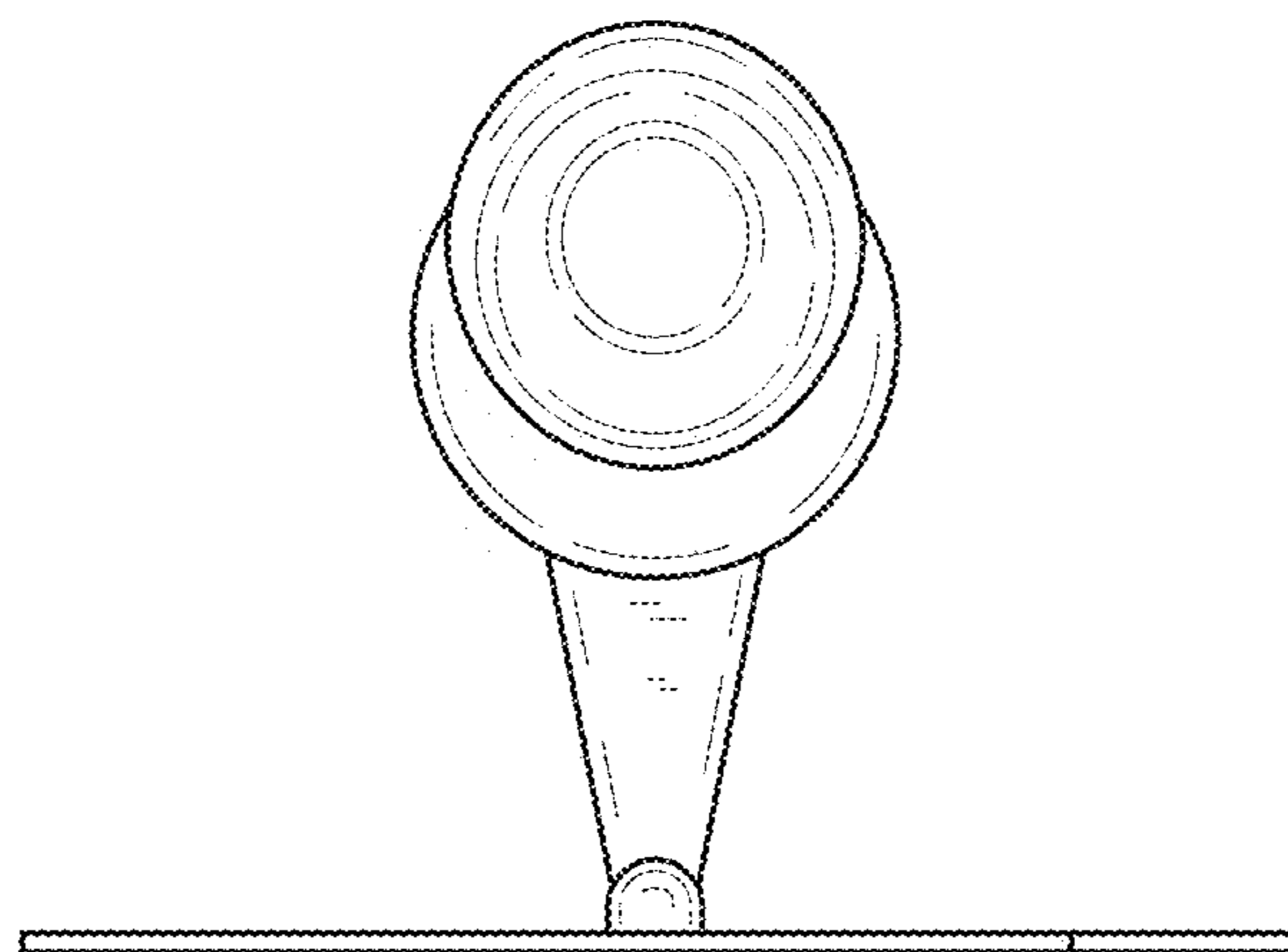


FIG. 6

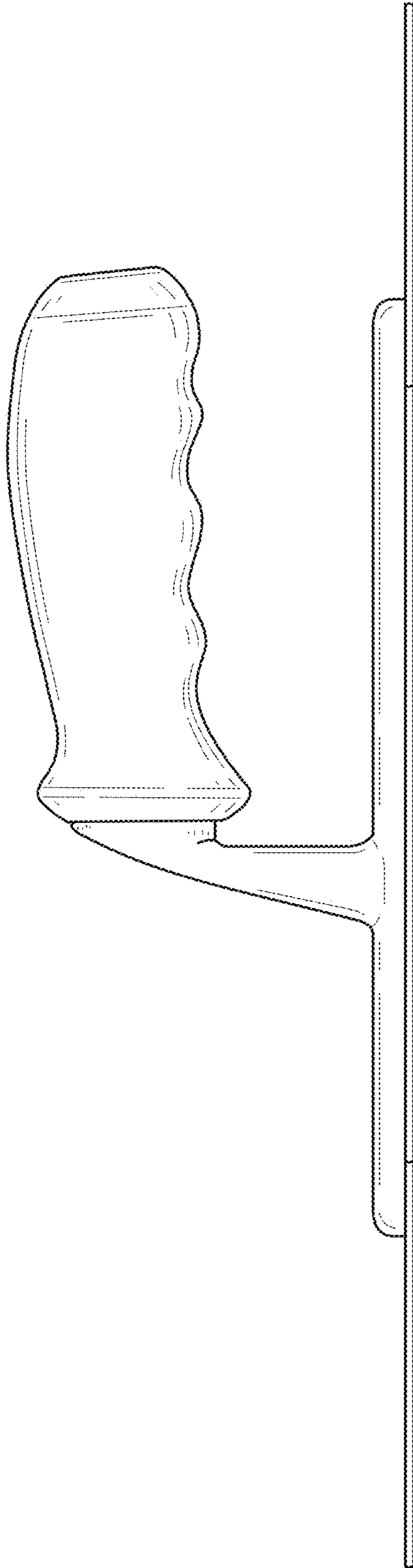


FIG. 7

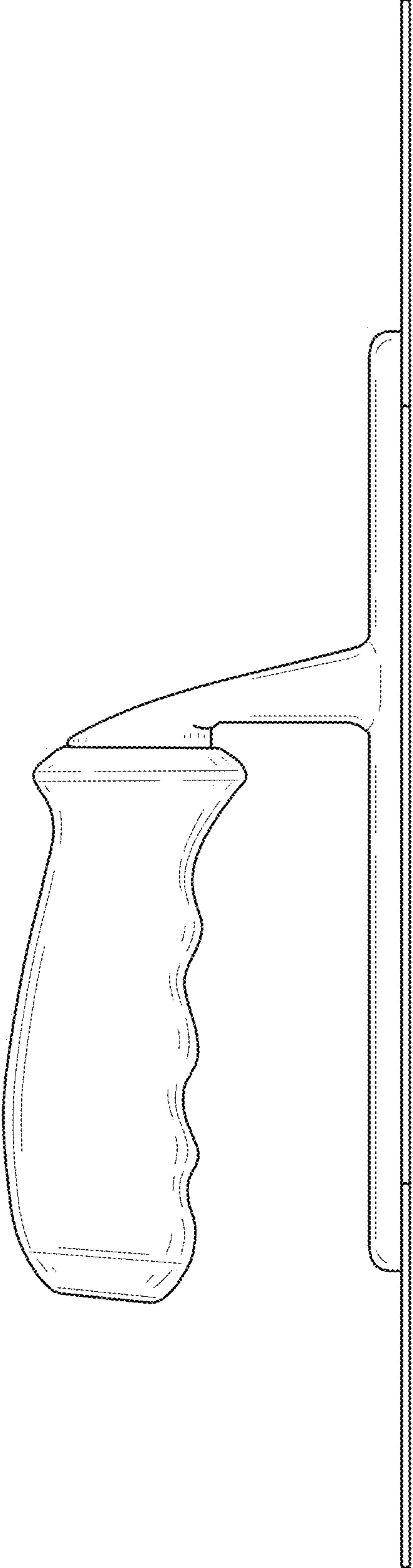


FIG. 8