



US00D917993S

(12) **United States Design Patent**  
**Chen**

(10) **Patent No.:** **US D917,993 S**

(45) **Date of Patent:** **\*\* May 4, 2021**

(54) **PLUMBER'S WRENCH**

(71) Applicant: **JS Products, Inc.**, Las Vegas, NV (US)

(72) Inventor: **Chungeng Chen**, Las Vegas, NV (US)

(73) Assignee: **JS Products, Inc.**, Las Vegas, NV (US)

(\*\*) Term: **15 Years**

(21) Appl. No.: **29/691,939**

(22) Filed: **May 21, 2019**

(51) **LOC (13) Cl.** ..... **08-05**

(52) **U.S. Cl.**  
USPC ..... **D8/28; D8/21**

(58) **Field of Classification Search**

USPC .... D8/14, 16-19, 21-29, 51, 52, 54-59, 44;  
81/125.1, 177.1, 119, 124.7, 124.3, 186,  
81/431, 176.15, 461.1, 99, 98, 100  
CPC ..... B25B 13/14; B25B 13/06; B25B 13/04;  
B25B 13/46; B25B 13/00; B25B 7/02;  
B25B 13/48; B25B 13/16; B25B 13/505;  
B25B 13/5058; B25B 23/0007; B25B  
13/28

See application file for complete search history.

(56) **References Cited**

U.S. PATENT DOCUMENTS

849,891 A 4/1907 Ellingson  
1,003,997 A 9/1911 Dudley  
1,747,527 A 2/1930 Peterson  
2,142,589 A 1/1939 Olson  
3,709,073 A \* 1/1973 Kurtz ..... B25B 13/46  
81/119  
4,406,188 A \* 9/1983 Mills ..... B25B 23/10  
81/125  
D338,816 S 8/1993 Maldonado

(Continued)

FOREIGN PATENT DOCUMENTS

CN 304990619 \* 4/2018  
CN 306050961 \* 2/2020

(Continued)

*Primary Examiner* — Keli L Hill

*Assistant Examiner* — Sara S Sahneh

(74) *Attorney, Agent, or Firm* — Weide & Miller, Ltd.

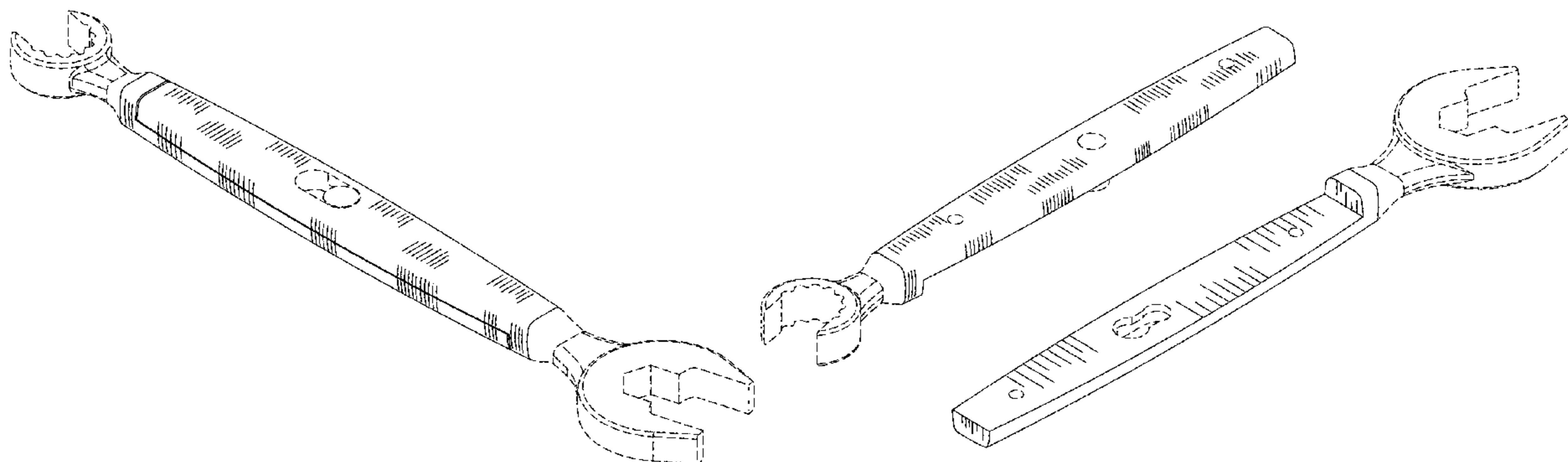
(57) **CLAIM**

The ornamental design for a plumber's wrench, as shown and described.

**DESCRIPTION**

FIG. 1 is a front-top-right perspective view of a plumber's wrench, showing the new design;  
FIG. 2 is a bottom view of the design shown in FIG. 1;  
FIG. 3 is a top view of the design shown in FIG. 1;  
FIG. 4 is a front view of the design shown in FIG. 1;  
FIG. 5 is a back view of the design shown in FIG. 1;  
FIG. 6 is a right-side view of the design shown in FIG. 1;  
FIG. 7 is a left-side view of the design shown in FIG. 1;  
FIG. 8 is a front-top-left perspective view of the design shown in FIG. 1 with the parts unassembled;  
FIG. 9 is a bottom-rear-left perspective view of the design shown in FIG. 1 with the parts unassembled;  
FIG. 10 is a right side view of the design shown in FIG. 1 with the parts unassembled;  
FIG. 11 is a left-side view of the design shown in FIG. 1 with the parts unassembled;  
FIG. 12 is a bottom view of the design shown in FIG. 1 with the parts unassembled;  
FIG. 13 is a top view of the design shown in FIG. 1 with the parts unassembled;  
FIG. 14 is a rear view of the design shown in FIG. 1 with the parts unassembled; and,  
FIG. 15 is a front view of the design shown in FIG. 1 with the parts unassembled.  
The broken lines shown are for the purpose of illustrating portions of the plumber's wrench and form no part of the claimed design.

**1 Claim, 11 Drawing Sheets**



(56)

References Cited

U.S. PATENT DOCUMENTS

5,492,040 A 2/1996 Bellas  
 5,520,074 A 5/1996 Swindell, Sr.  
 D417,374 S 12/1999 Chen  
 D443,189 S \* 6/2001 Li-Chen ..... D8/28  
 D462,245 S 9/2002 Friedman et al.  
 6,523,440 B2 2/2003 Friedman et al.  
 D473,768 S 4/2003 Gilmore  
 6,691,595 B2 2/2004 Hsien  
 6,940,417 B2 \* 9/2005 Hsien ..... B25B 23/1425  
 177/211  
 7,024,969 B2 4/2006 Smith  
 7,316,172 B1 1/2008 Chen et al.  
 7,530,295 B2 5/2009 Jones et al.  
 8,136,427 B2 3/2012 James  
 D674,673 S \* 1/2013 Heidelberger ..... D8/28  
 9,199,363 B2 12/2015 Chen  
 D814,258 S \* 4/2018 Yang ..... D8/28

2002/0178873 A1 \* 12/2002 Hsieh ..... B25G 1/00  
 81/125.1  
 2004/0261542 A1 \* 12/2004 Hsien ..... B25B 23/1425  
 73/862.21  
 2010/0175514 A1 7/2010 Hsieh  
 2012/0174718 A1 7/2012 James  
 2014/0326110 A1 \* 11/2014 Hu ..... B25B 13/56  
 81/177.1  
 2014/0345428 A1 \* 11/2014 Buchanan ..... B25B 13/46  
 81/177.2  
 2017/0203419 A1 7/2017 White, II  
 2017/0320208 A1 \* 11/2017 Culkun ..... B25G 1/043  
 2019/0321946 A1 \* 10/2019 MacDonald ..... B25G 1/043  
 2020/0298381 A1 \* 9/2020 Chen ..... B25B 13/08

FOREIGN PATENT DOCUMENTS

GB 2103100 \* 7/2001  
 JP D1289886 \* 11/2005

\* cited by examiner

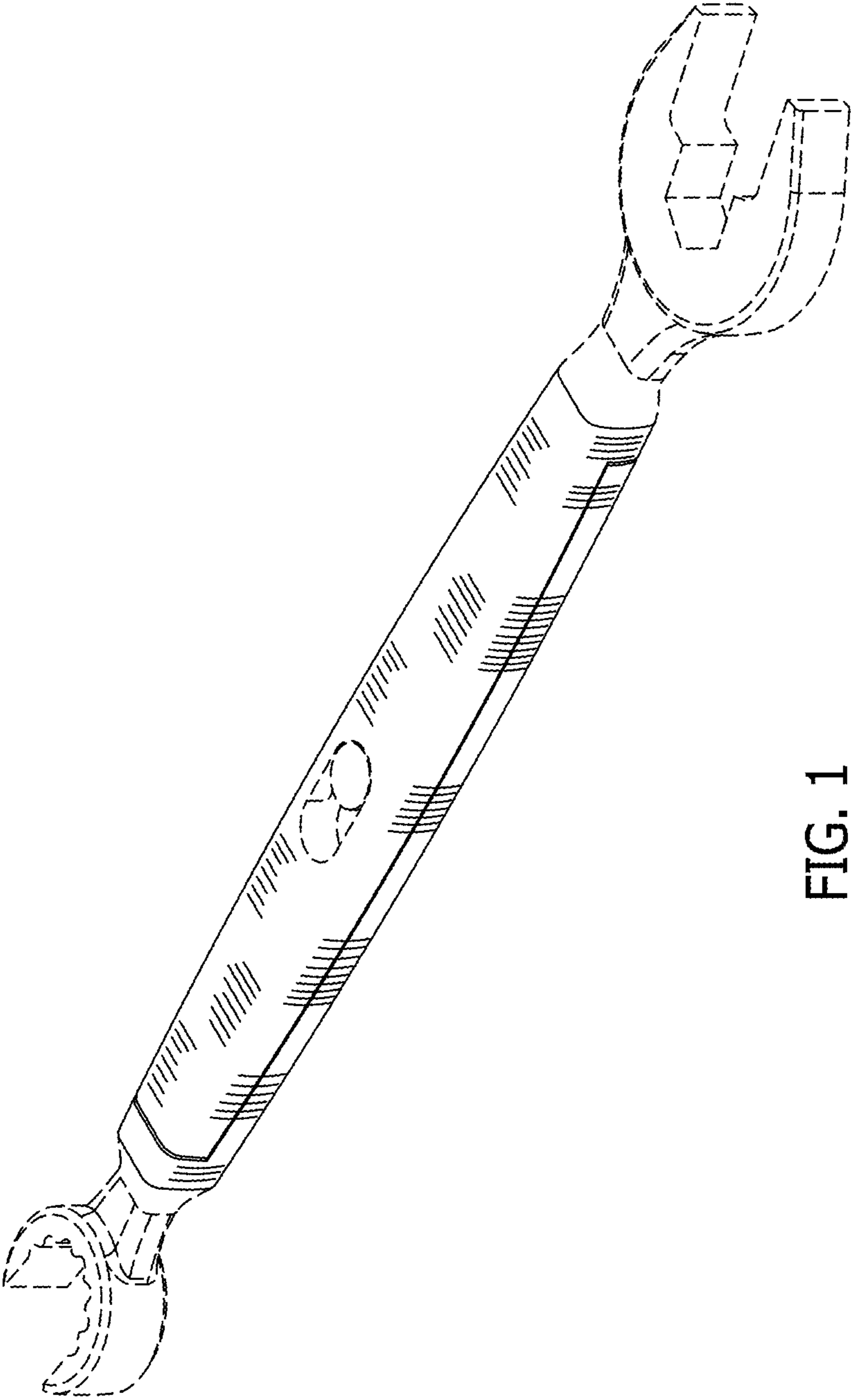


FIG. 1

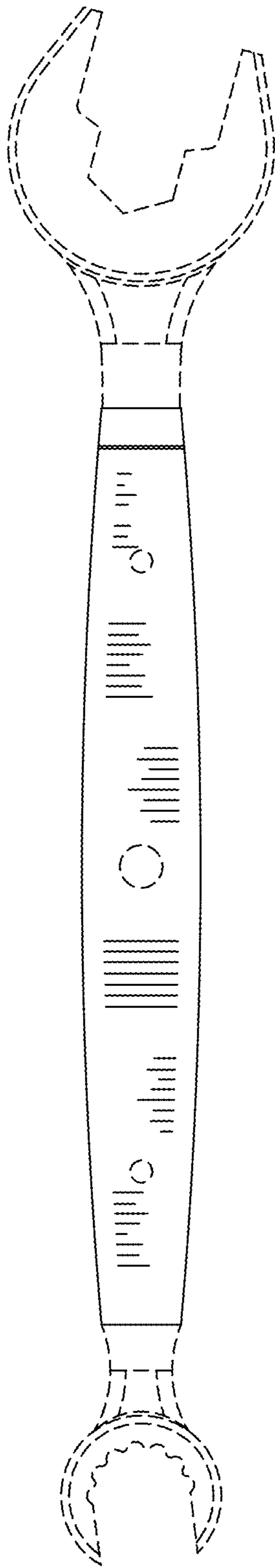


FIG. 2

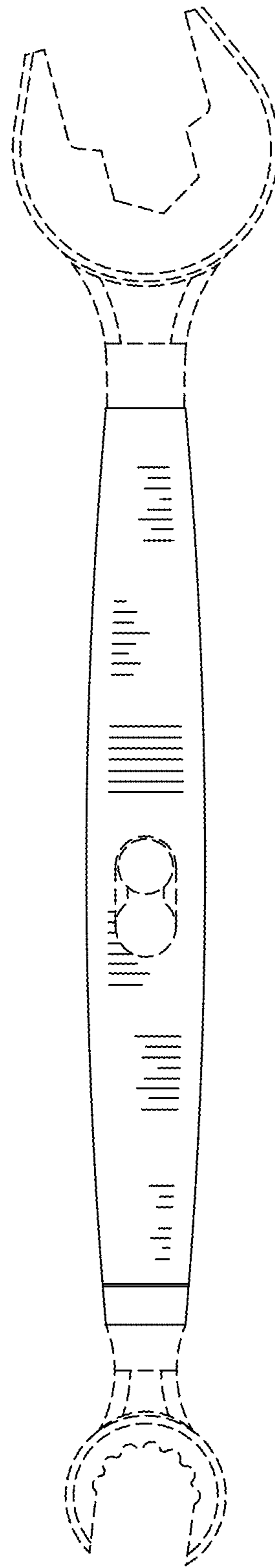


FIG. 3

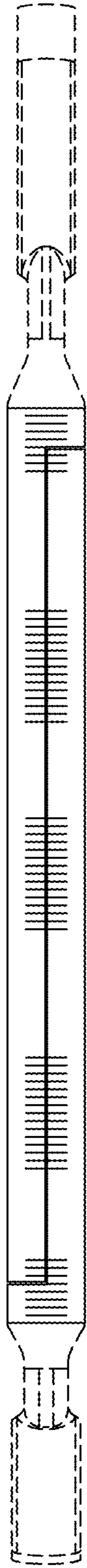


FIG. 4

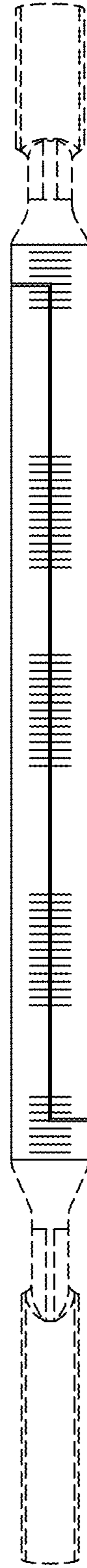


FIG. 5



FIG. 7

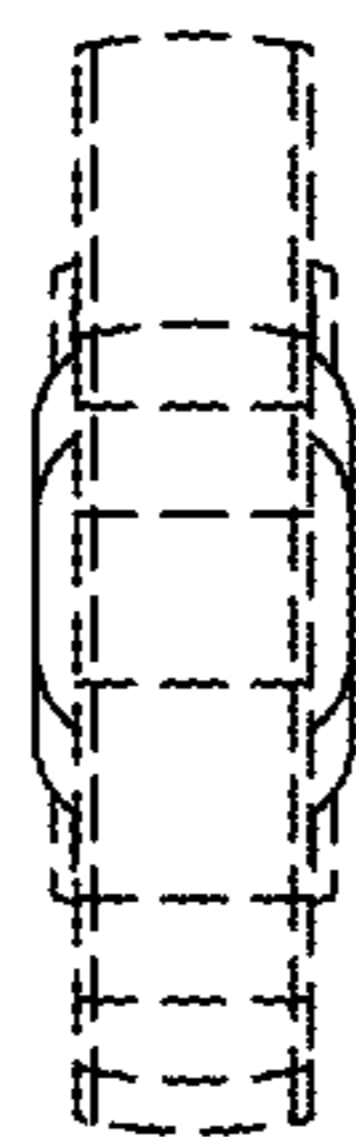


FIG. 6

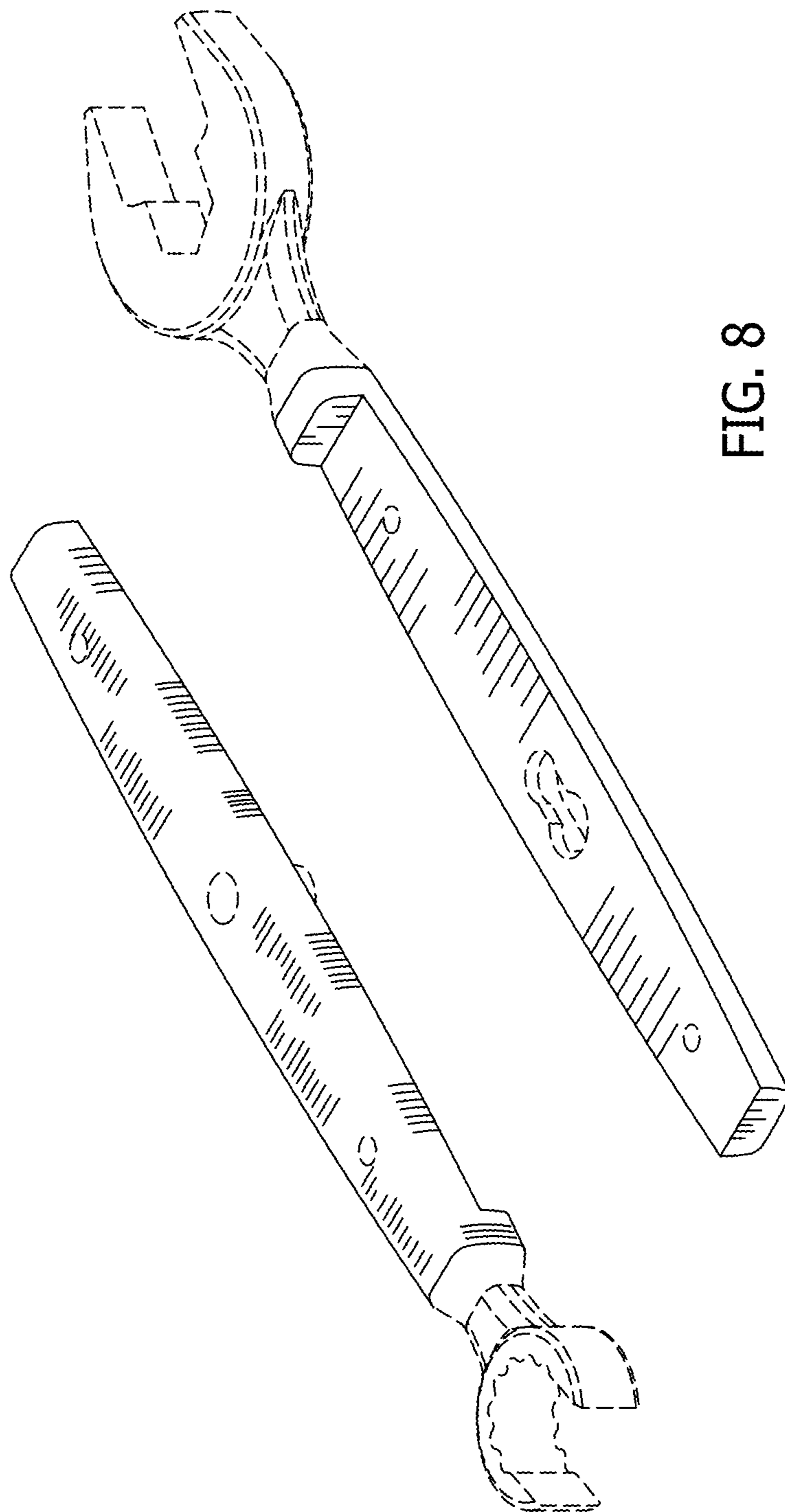


FIG. 8

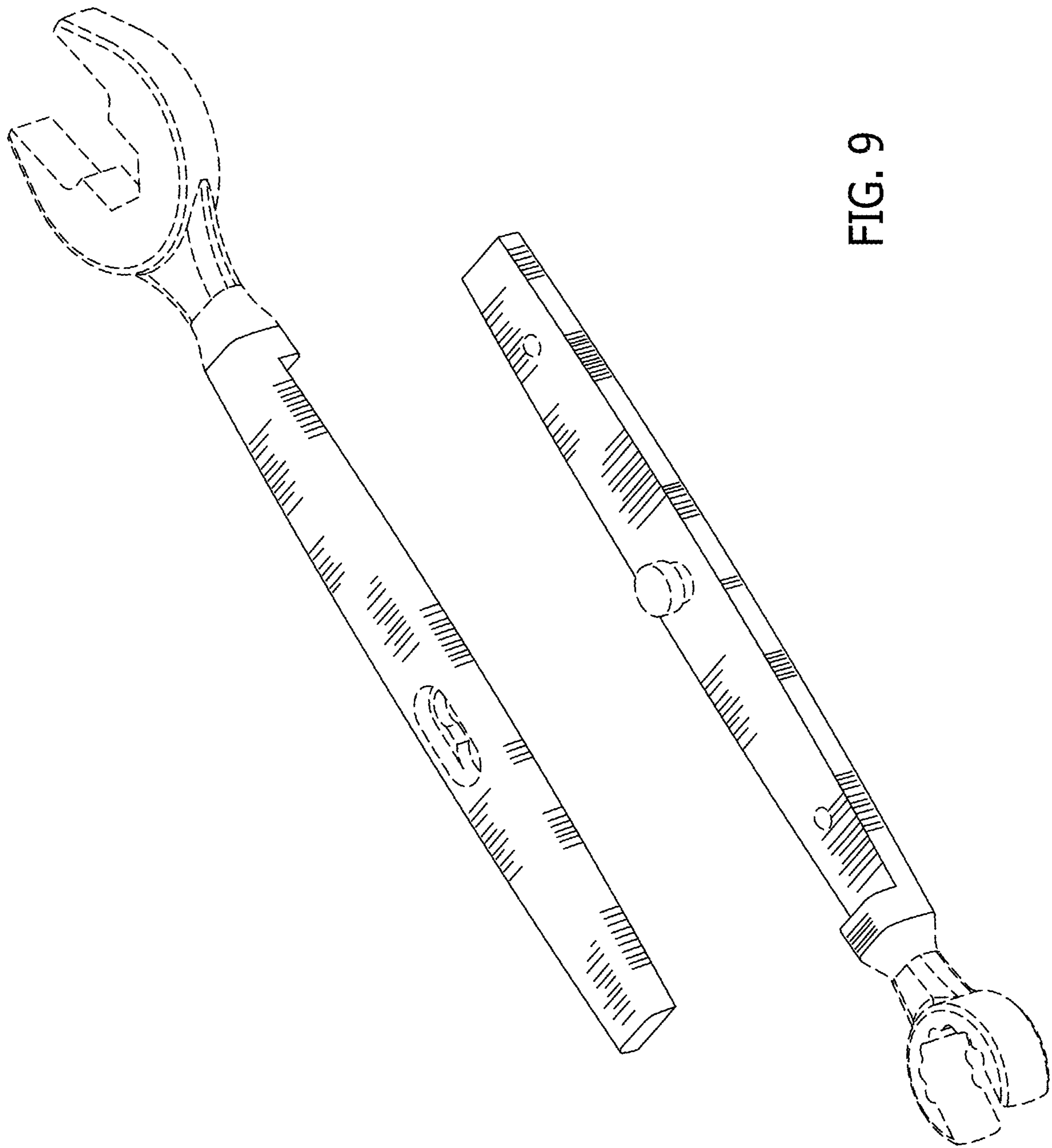


FIG. 9



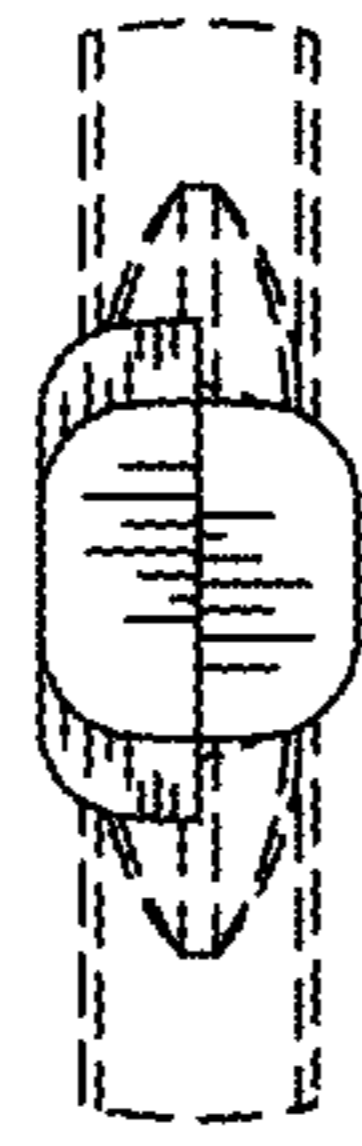


FIG. 11

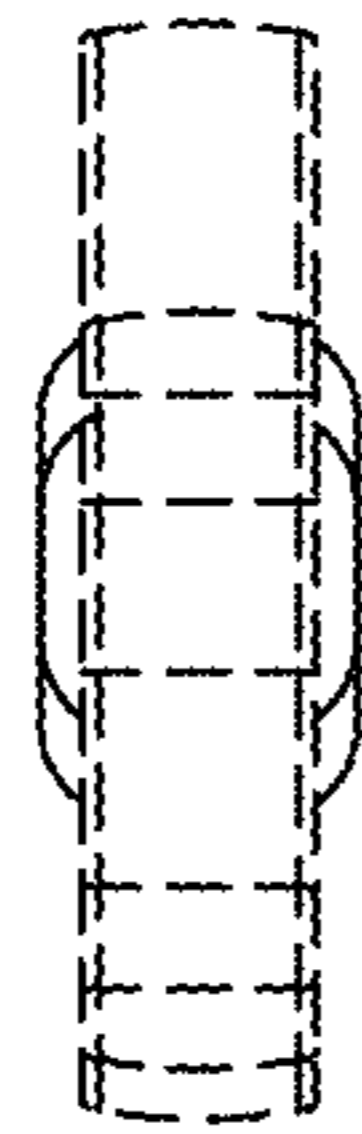


FIG. 10

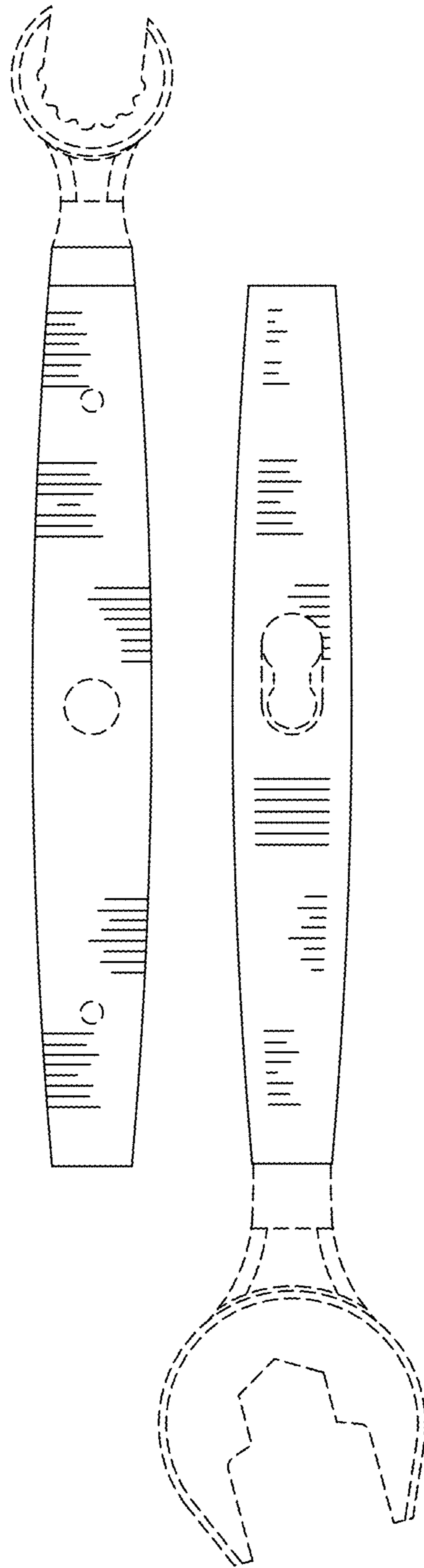


FIG. 12

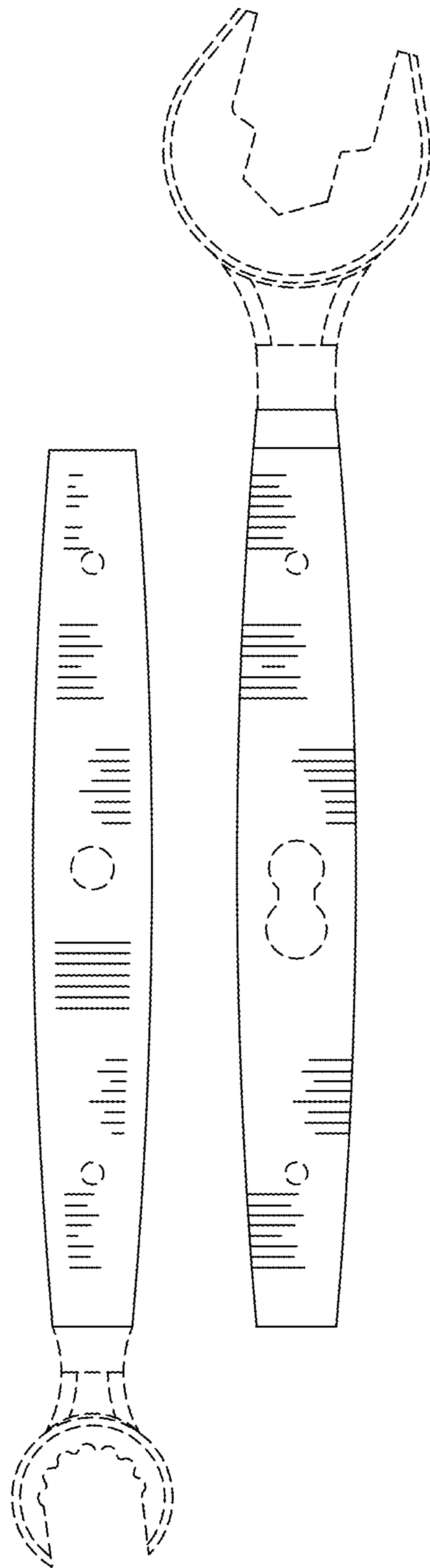


FIG. 13

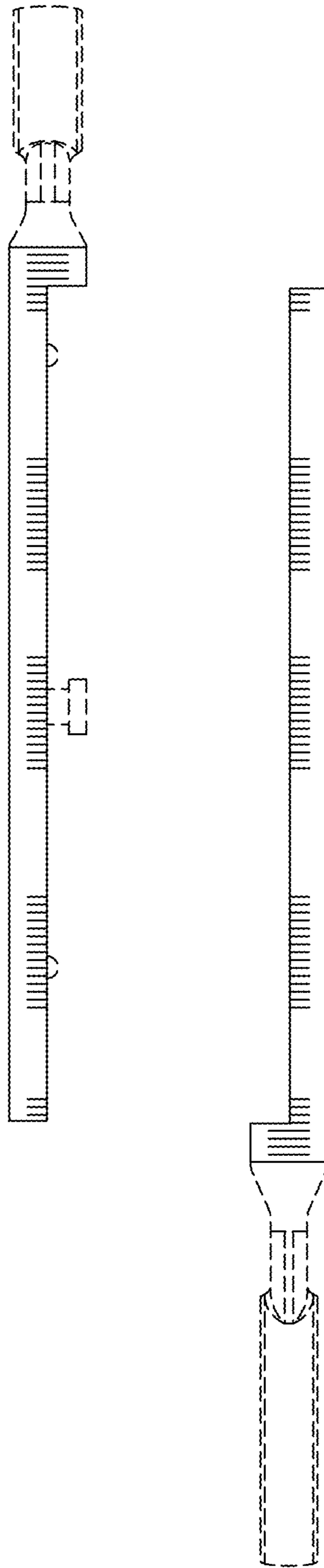


FIG. 14

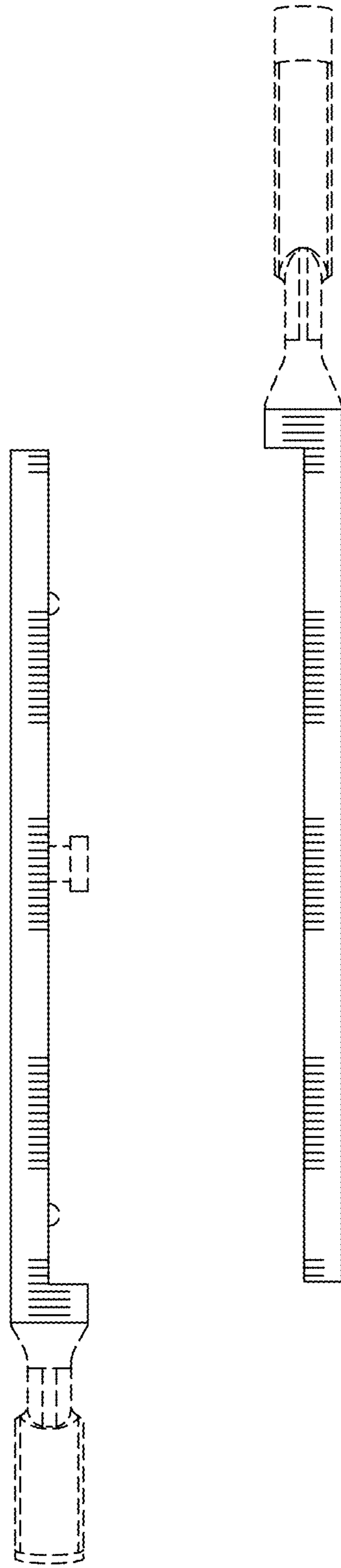


FIG. 15