



US00D917992S

(12) **United States Design Patent** (10) **Patent No.:** **US D917,992 S**  
**Azevedo** (45) **Date of Patent:** **\*\* May 4, 2021**

(54) **COMBINATION TIRE AND CHAIN TOOL**

(71) Applicant: **Kenneth C. Azevedo**, White City, OR  
(US)

(72) Inventor: **Kenneth C. Azevedo**, White City, OR  
(US)

(\*\*) Term: **15 Years**

(21) Appl. No.: **29/722,329**

(22) Filed: **Jan. 28, 2020**

(51) **LOC (13) Cl.** ..... **08-05**

(52) **U.S. Cl.**  
USPC ..... **D8/14**

(58) **Field of Classification Search**  
USPC ..... D8/14, 75, 81, 88, 89  
CPC ..... B60C 27/00; B25B 27/22; B25B 25/00;  
B25B 27/0035  
See application file for complete search history.

(56) **References Cited**

**U.S. PATENT DOCUMENTS**

D192,721 S *	5/1962	Mills	.....	D8/81
3,872,527 A *	3/1975	Tregoning	.....	B25B 13/06 7/100
4,733,583 A *	3/1988	Lewis	.....	B25G 1/005 7/100
D300,800 S *	4/1989	Sutphen, Jr.	.....	D8/14
7,007,572 B2 *	3/2006	Woodworth	.....	B60C 27/00 152/213 R
D573,424 S *	7/2008	Mitchell	.....	D8/14
D715,611 S *	10/2014	Stamm	.....	D8/24

D721,932 S *	2/2015	Azevedo	.....	D8/14
D721,933 S *	2/2015	Azevedo	.....	D8/14
D747,944 S *	1/2016	Stamm	.....	D8/81
9,266,227 B2 *	2/2016	Schroeder	.....	B25B 27/0035
9,718,318 B2 *	8/2017	Davidson	.....	B25B 27/22
2004/0226640 A1 *	11/2004	Woodworth	.....	B60C 27/00 152/217

**OTHER PUBLICATIONS**

Iowa 80.com Heavy Duty tire chain tightener tool, printed from website Mar. 22, 2021.\*

\* cited by examiner

*Primary Examiner* — Philip S Hyder  
(74) *Attorney, Agent, or Firm* — Jerry Haynes Law

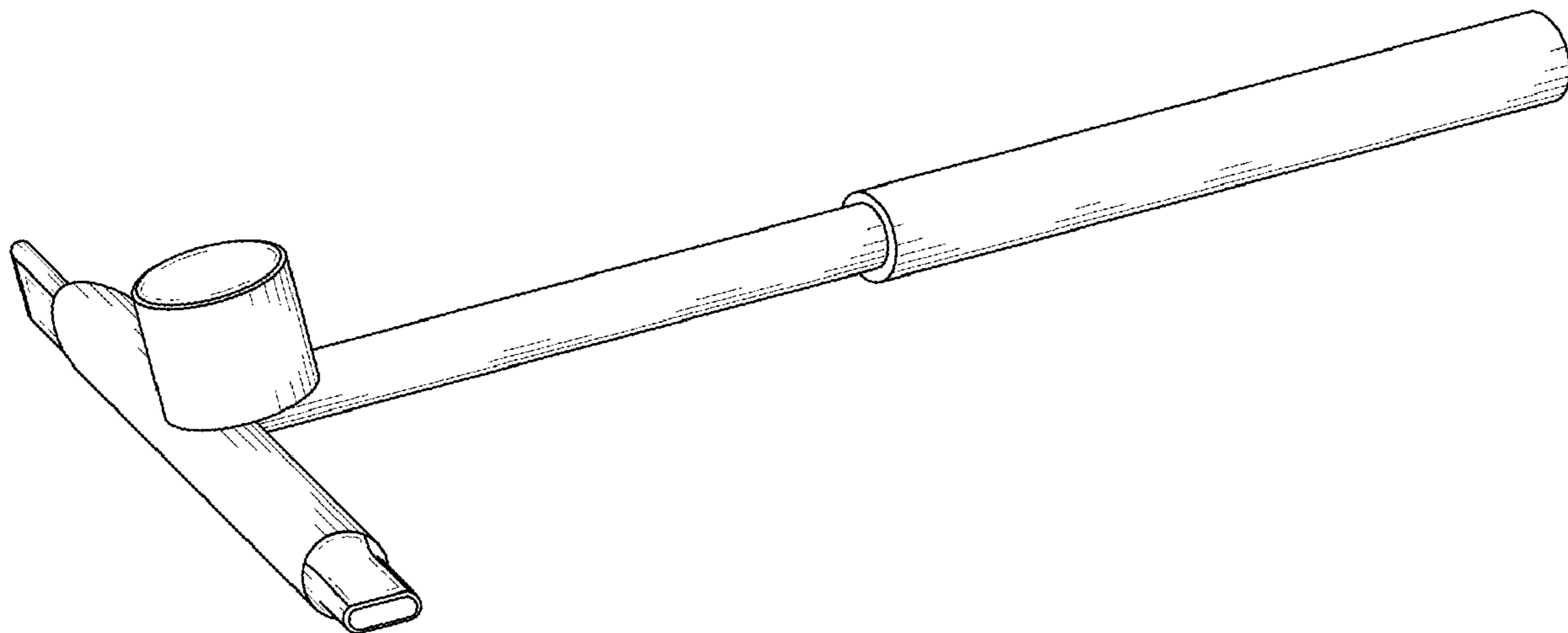
(57) **CLAIM**

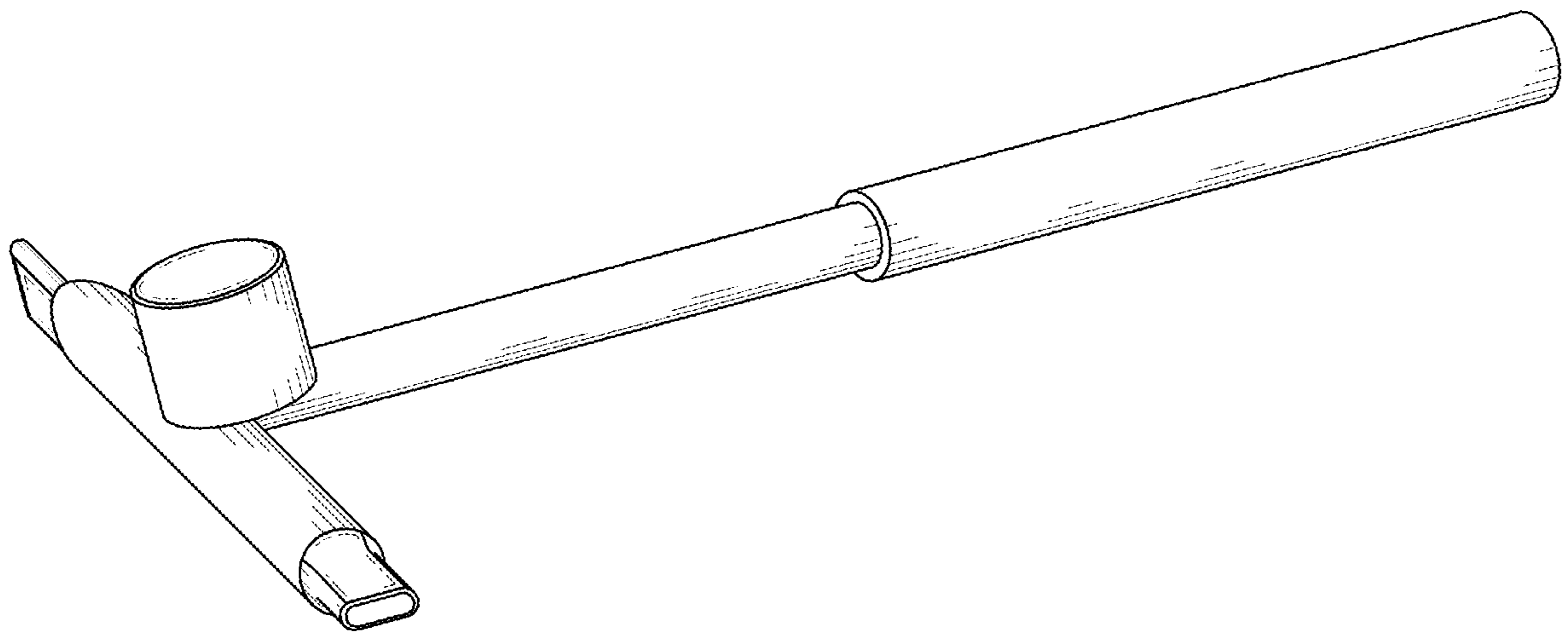
The ornamental design for a combination tire and chain tool, as shown and described.

**DESCRIPTION**

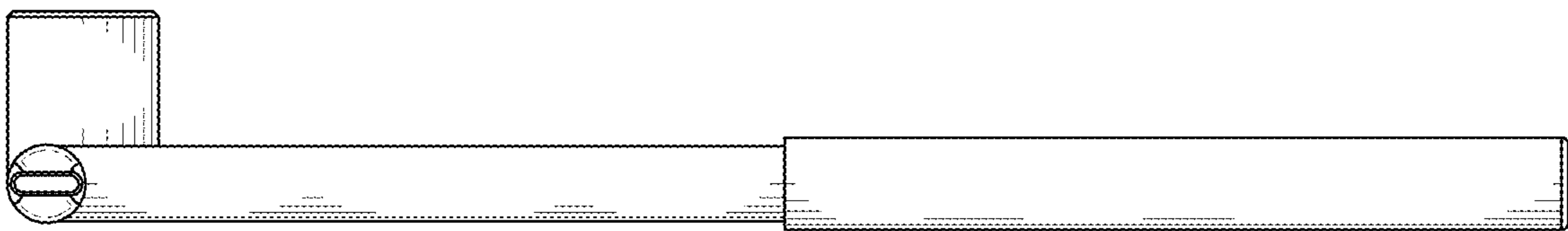
FIG. 1 is a left side perspective view of a combination tire and chain tool, showing the new design;  
FIG. 2 is a left side elevation view thereof;  
FIG. 3 is an inverted right side elevation view thereof;  
FIG. 4 is a top plan view thereof;  
FIG. 5 is a bottom plan view thereof;  
FIG. 6 is a front elevation view thereof; and,  
FIG. 7 is an inverted rear elevation view thereof.

**1 Claim, 2 Drawing Sheets**

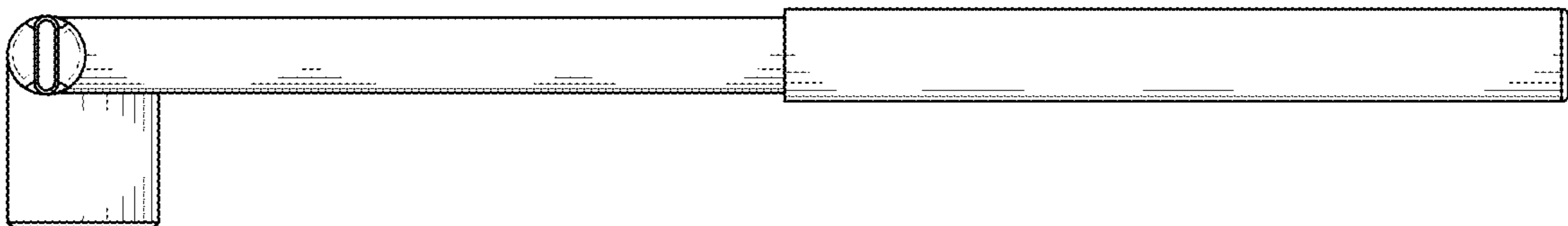




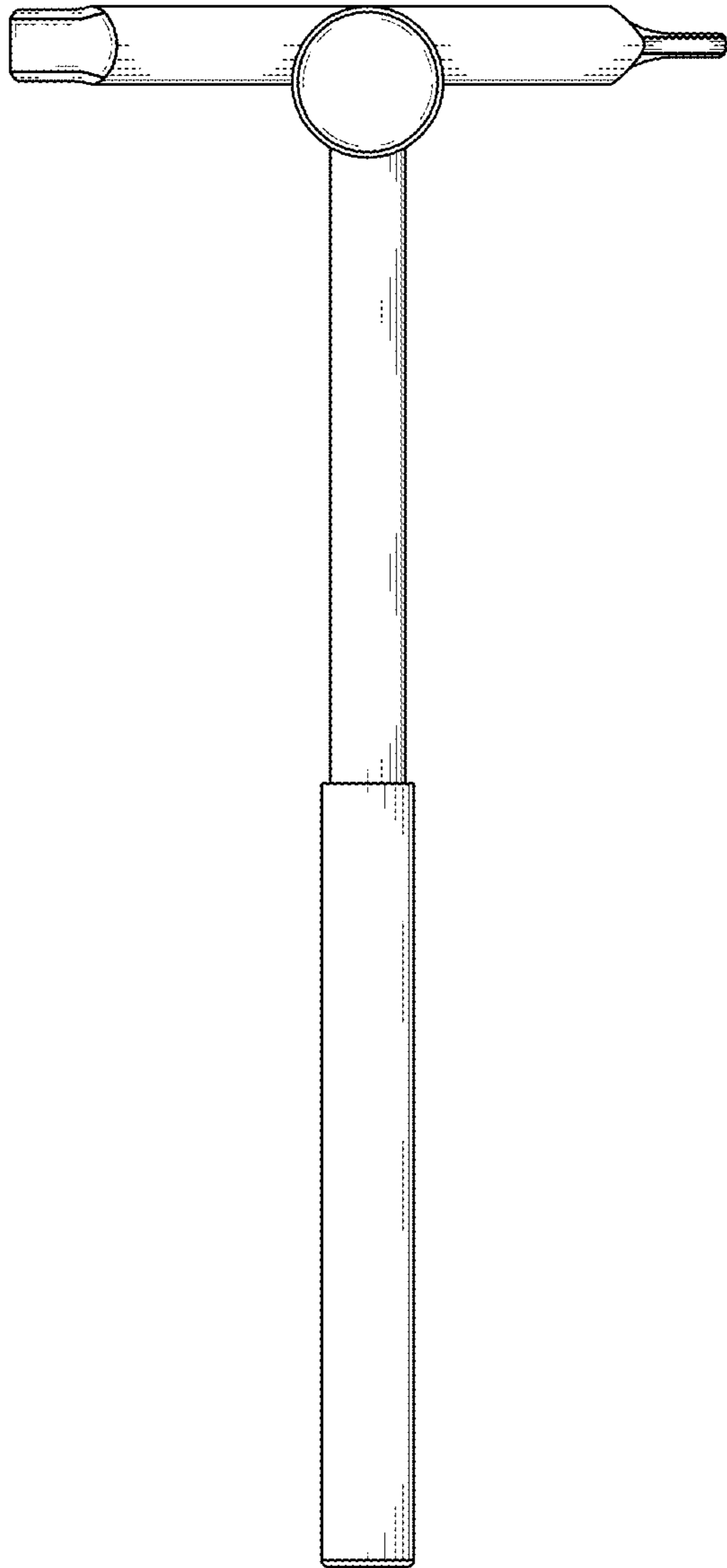
**FIG. 1**



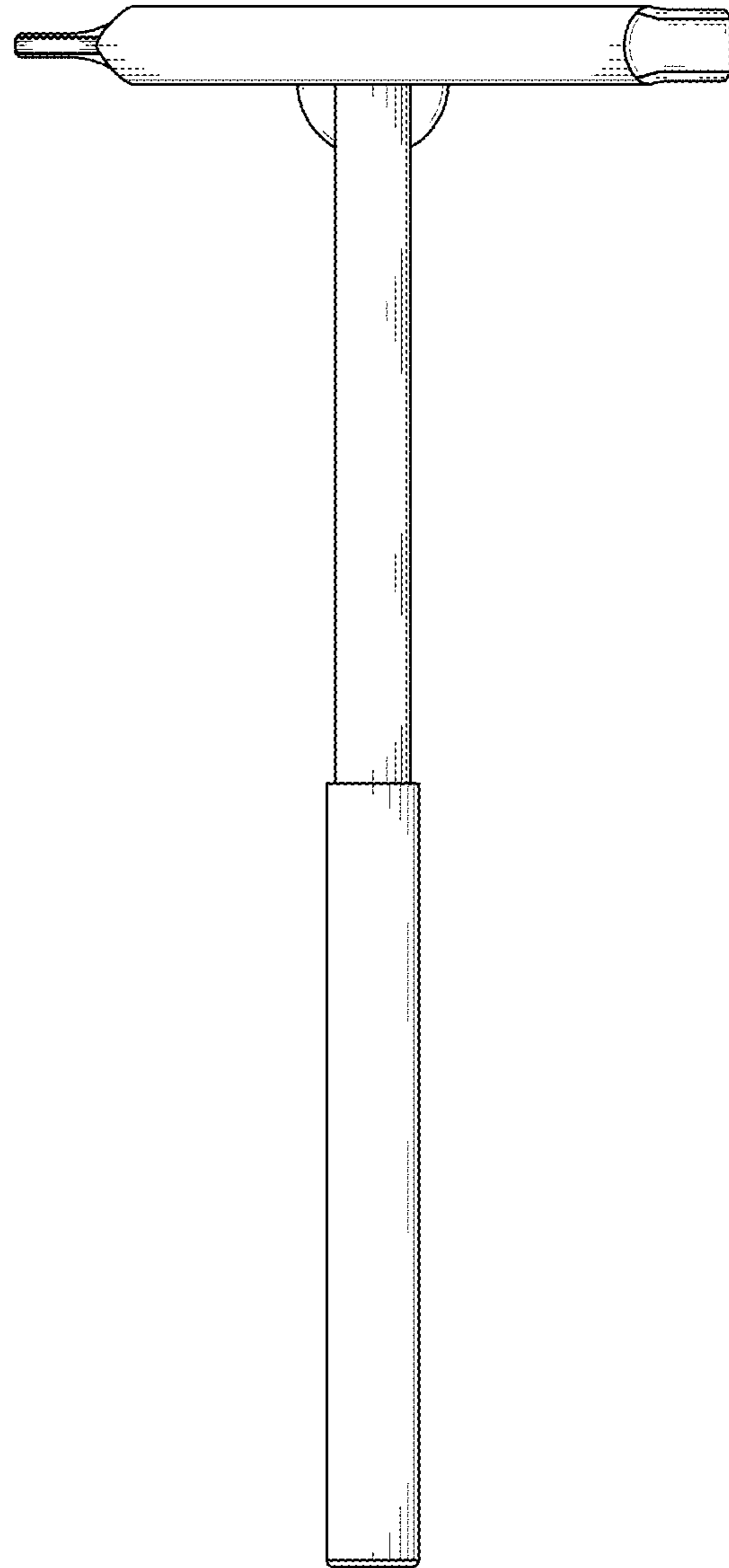
**FIG. 2**



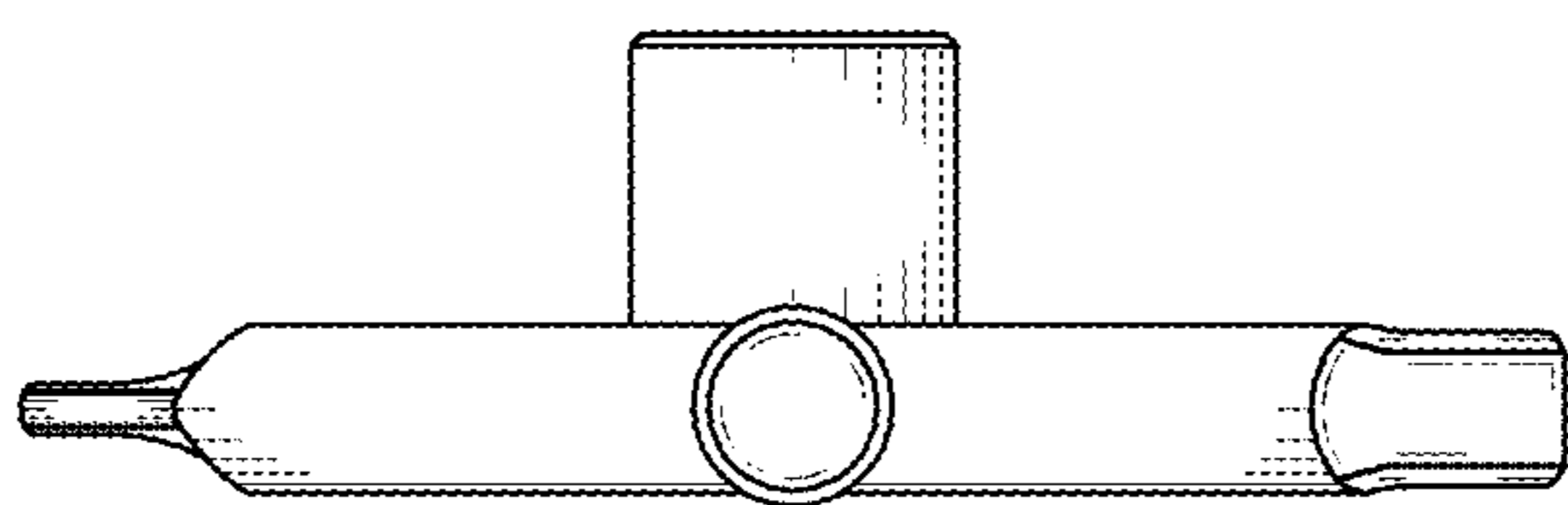
**FIG. 3**



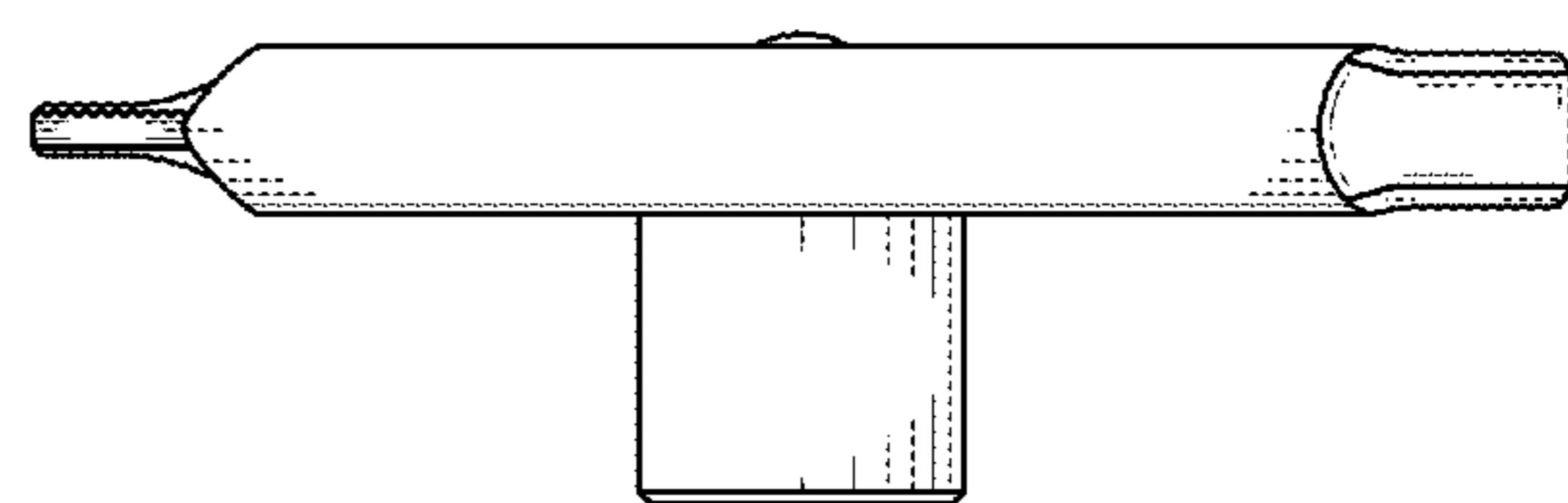
**FIG. 4**



**FIG. 5**



**FIG. 6**



**FIG. 7**