



US00D917991S

(12) **United States Design Patent**
Howard

(10) **Patent No.:** **US D917,991 S**

(45) **Date of Patent:** **** May 4, 2021**

(54) **NEEDLE DISPOSAL DEVICE**

D770,042 S * 10/2016 Christensen D24/128
D799,620 S * 10/2017 Engel D21/759
D881,387 S * 4/2020 Ho D24/128

(71) Applicant: **Kevin Howard**, Tacoma, WA (US)

(72) Inventor: **Kevin Howard**, Tacoma, WA (US)

(**) Term: **15 Years**

(21) Appl. No.: **29/713,853**

(22) Filed: **Nov. 19, 2019**

(51) **LOC (13) Cl.** **08-05**

(52) **U.S. Cl.**
USPC **D8/14**

(58) **Field of Classification Search**
USPC D8/14, 356, 380; D24/128; D21/793,
D21/753, 759

CPC H01F 7/0257; B25B 11/002
See application file for complete search history.

(56) **References Cited**

U.S. PATENT DOCUMENTS

1,212,870	A	1/1917	Zolper	
3,646,492	A	2/1972	Westermann	
4,802,702	A *	2/1989	Bownds A47L 13/41 294/65.5
5,169,193	A *	12/1992	Stelmach B25J 1/02 294/65.5
D354,904	S *	1/1995	Halsten D8/356
D376,309	S *	12/1996	Takai D8/356
5,615,850	A *	4/1997	Cloninger F16L 3/22 248/68.1
D397,006	S *	8/1998	Coleman, Jr. D8/14
6,312,138	B1 *	11/2001	Coleman, Jr. B25B 9/00 294/65.5
6,392,517	B1 *	5/2002	Coleman, Jr. H01F 7/0257 294/65.5
D479,329	S *	9/2003	Sanguinetti D24/128
D560,452	S *	1/2008	Langford D8/14
7,883,130	B2	2/2011	Jackson	

OTHER PUBLICATIONS

Cardinal Health, Devon™ Magnetic Needle Finder, [date accessed Apr. 25, 2019]: <https://www.cardinalhealth.com/en/product-solutions/medical/surgical/or-safety/devon-magnetic-needle-finder.html>.

* cited by examiner

Primary Examiner — Philip S Hyder

(74) *Attorney, Agent, or Firm* — Christopher Mayle; Thomas E. LaGrandeur; Bold IP, PLLC

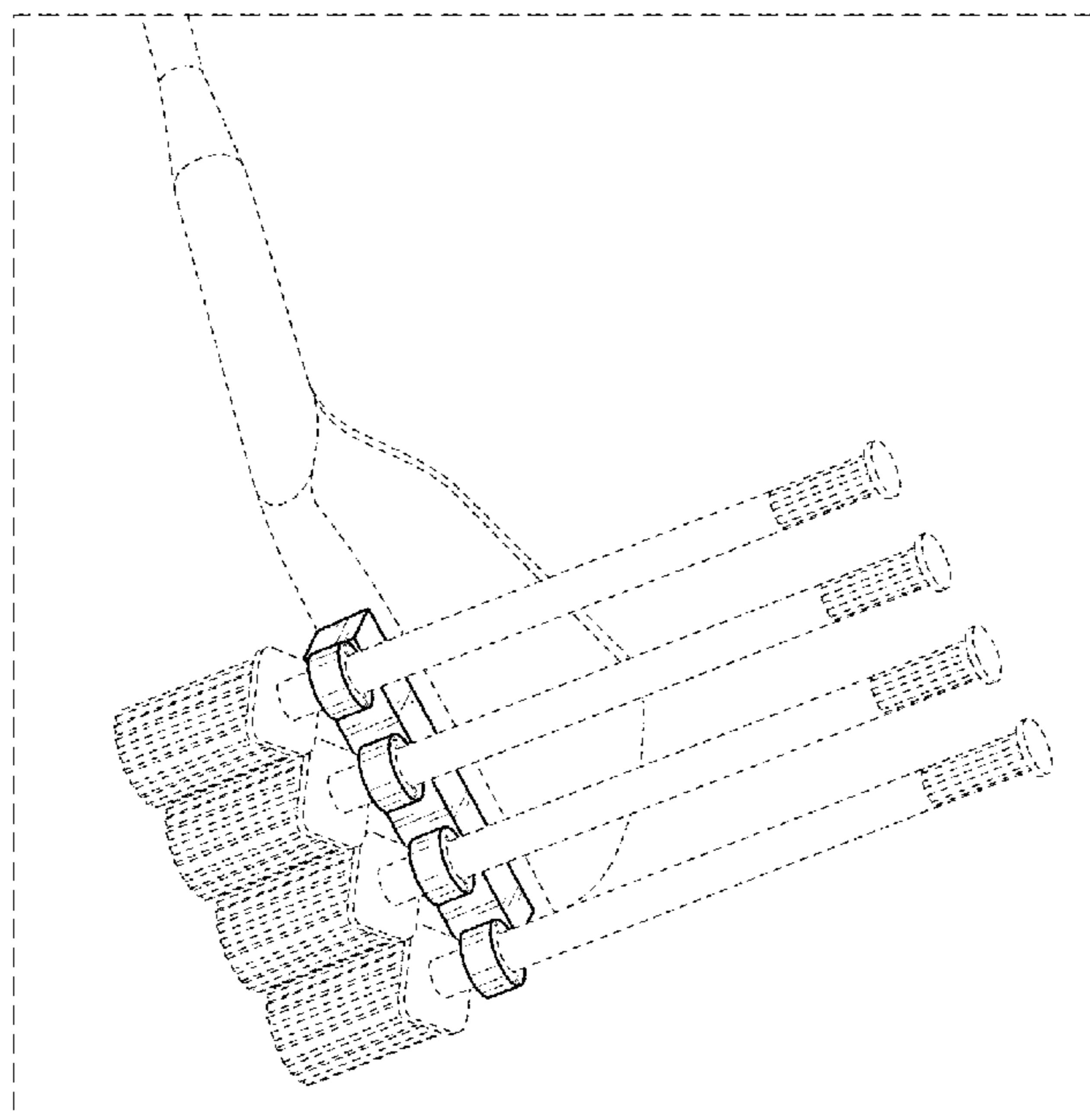
(57) **CLAIM**

The ornamental design for a needle disposal device, as shown.

DESCRIPTION

FIG. 1 is a front perspective view of a needle disposal device in accordance with the present invention; FIG. 2 is a back perspective view thereof; FIG. 3 is a front elevational view thereof; FIG. 4 is a rear elevational view thereof; FIG. 5 is a left side elevational view thereof; FIG. 6 is a right elevational view thereof; FIG. 7 is a top elevational view thereof; FIG. 8 is a bottom elevational view thereof; FIG. 9 is a zoomed in front perspective view of a needle disposal device in accordance with the present invention; and, FIG. 10 is a zoomed in back perspective view thereof. The broken line showings of the golf club and needles are provided for purposes of environment and form no part of claimed design.

1 Claim, 10 Drawing Sheets



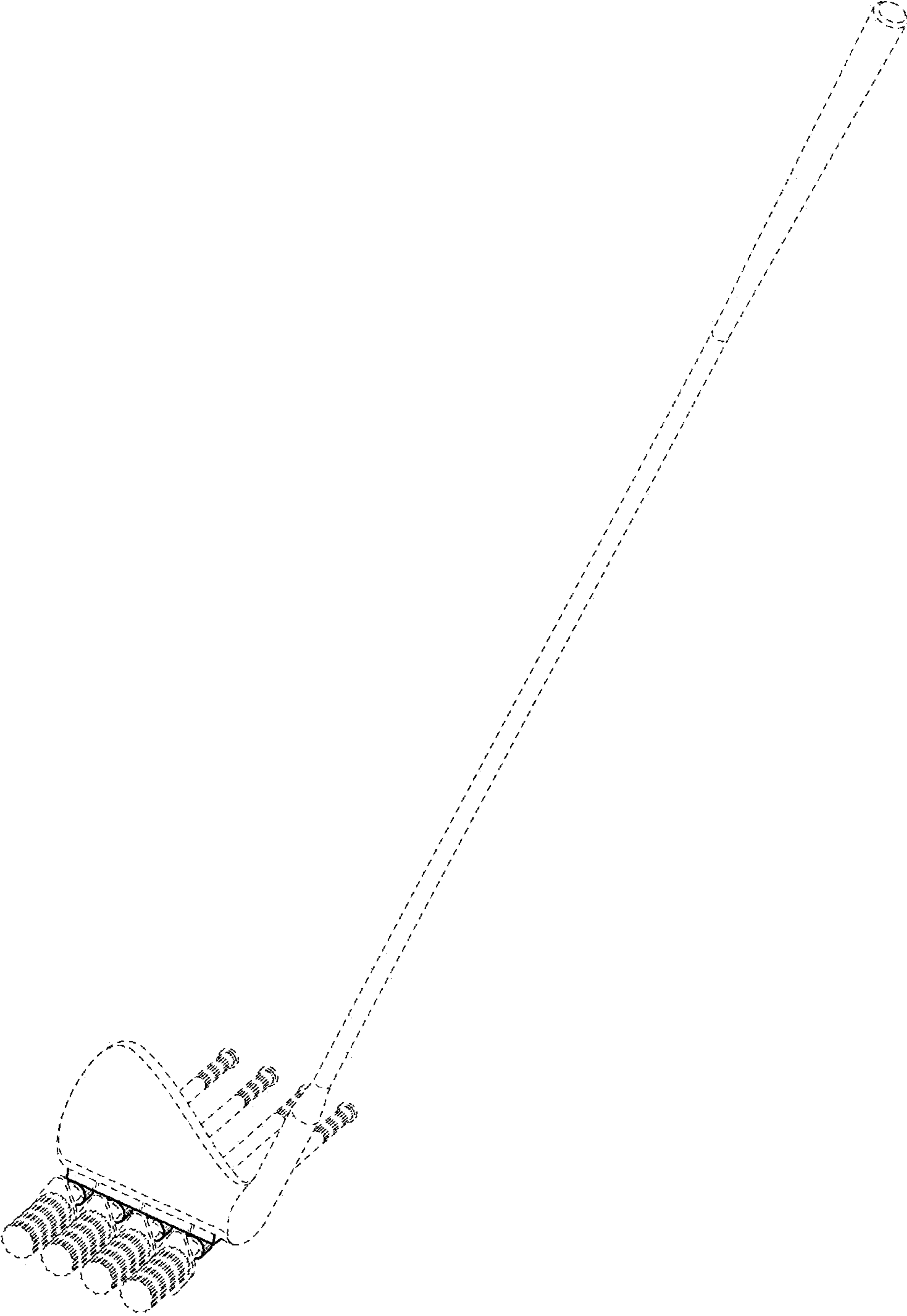


FIG. 1

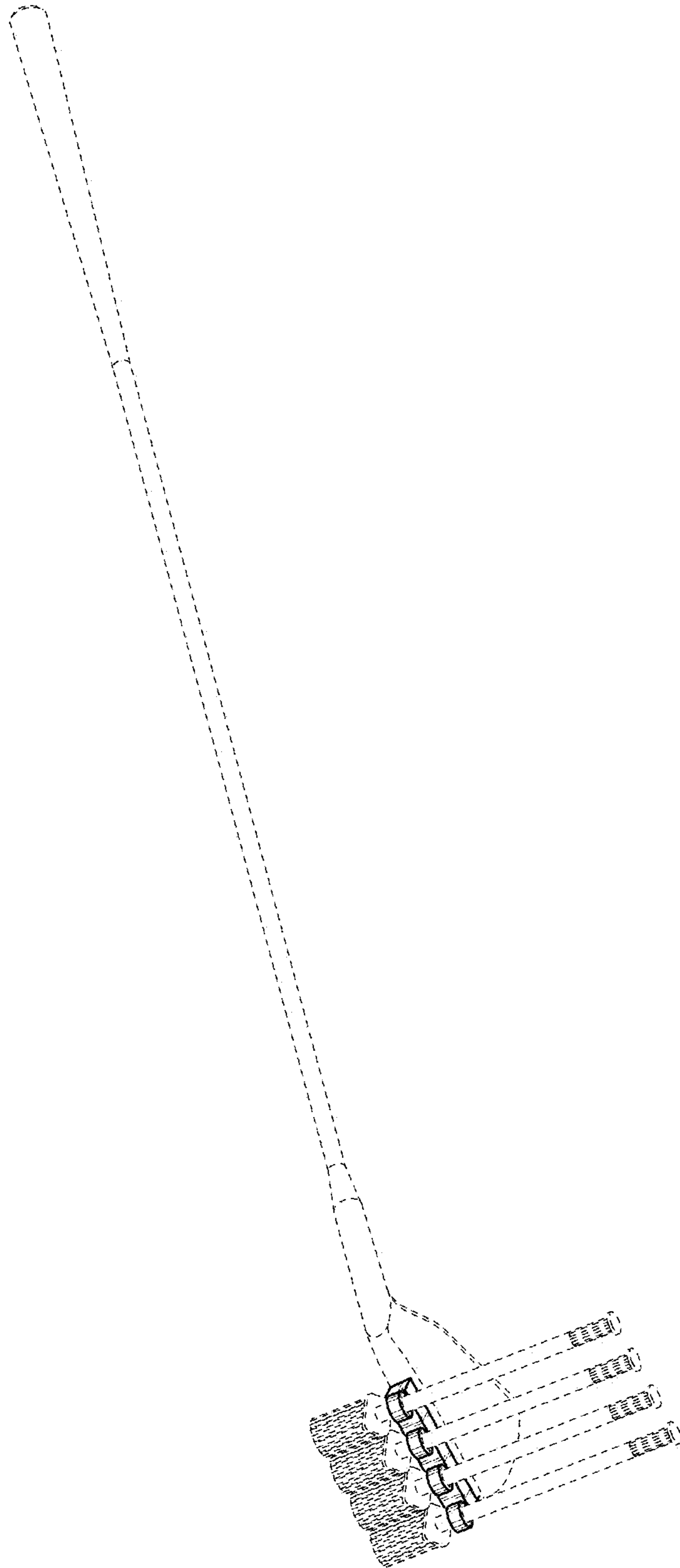


FIG. 2

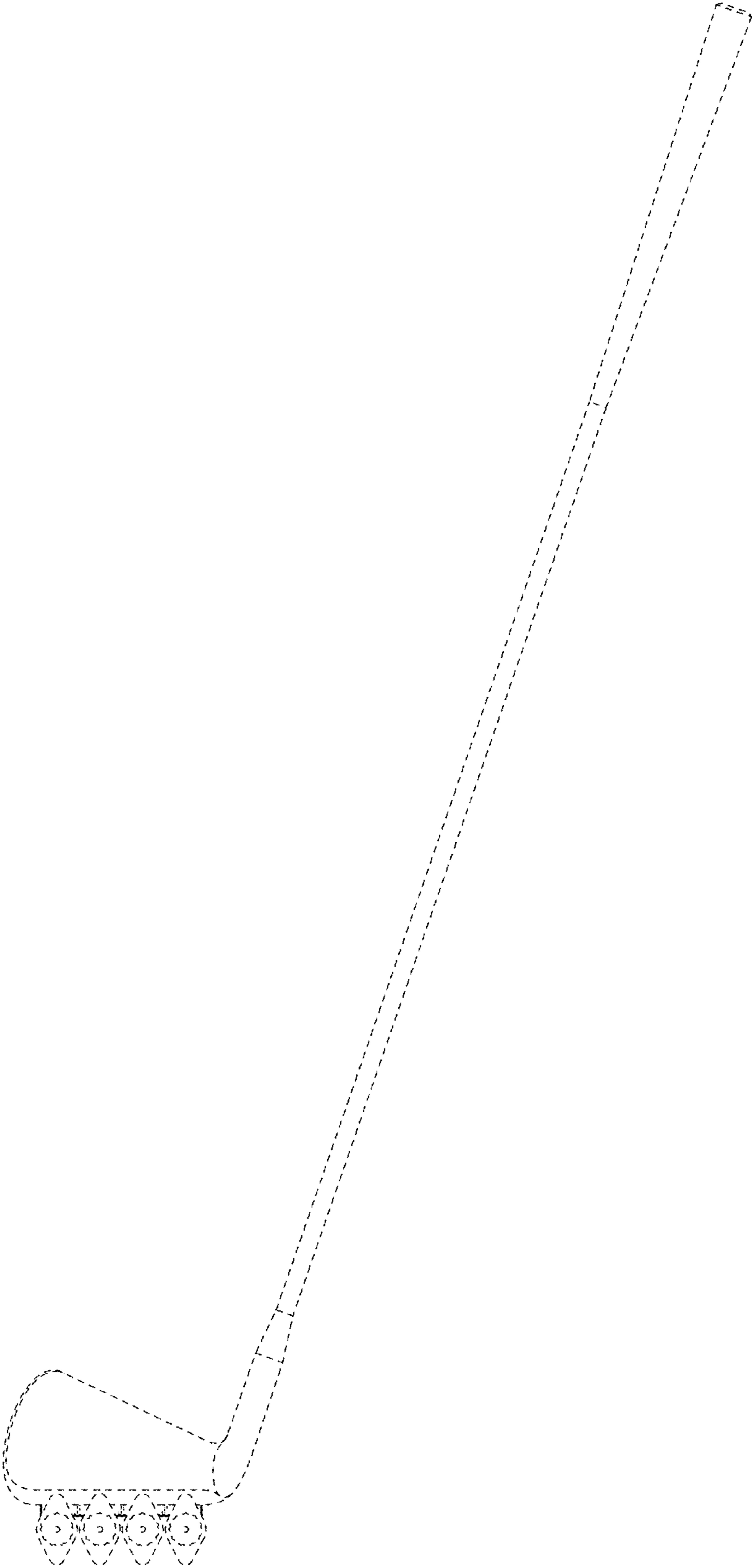


FIG. 3

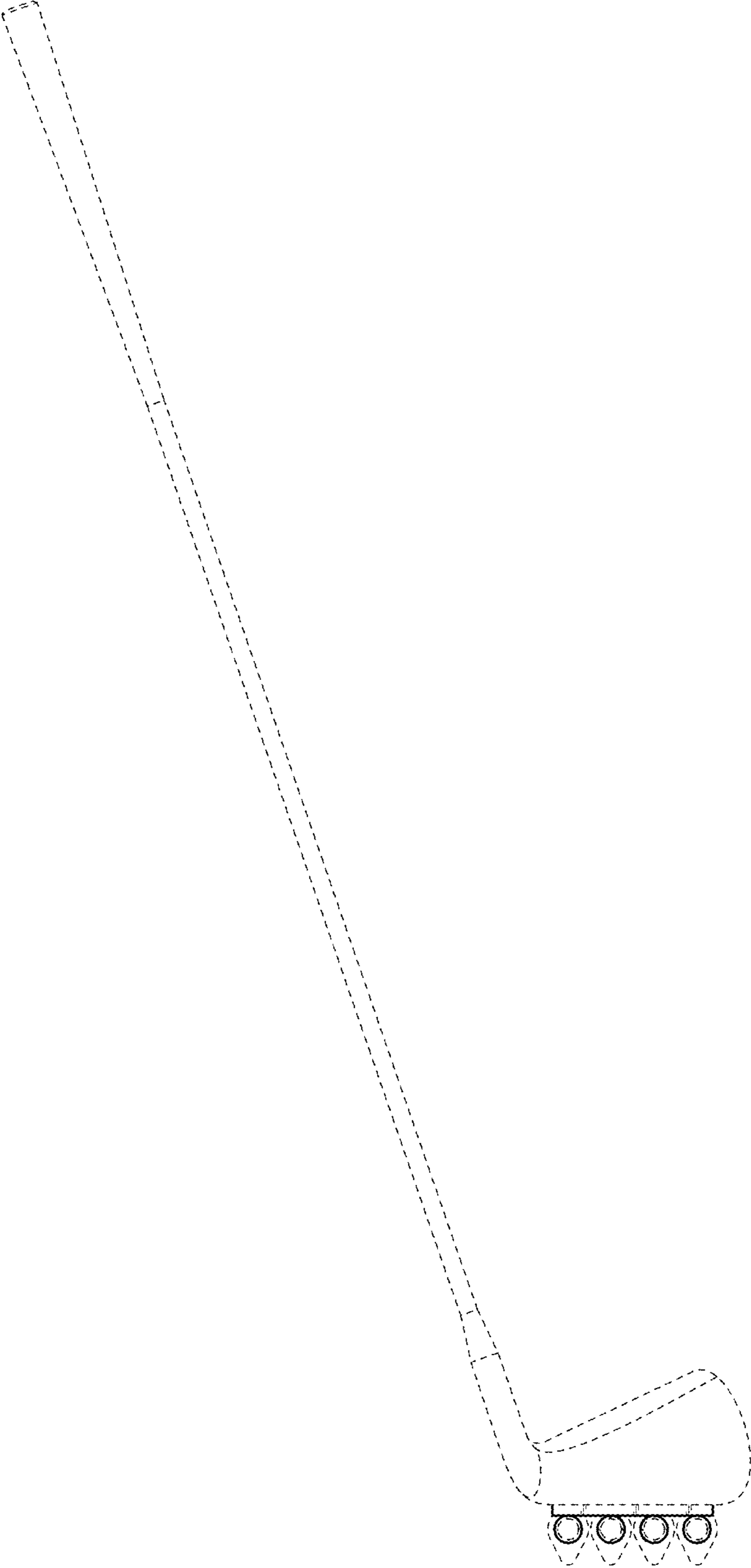


FIG. 4

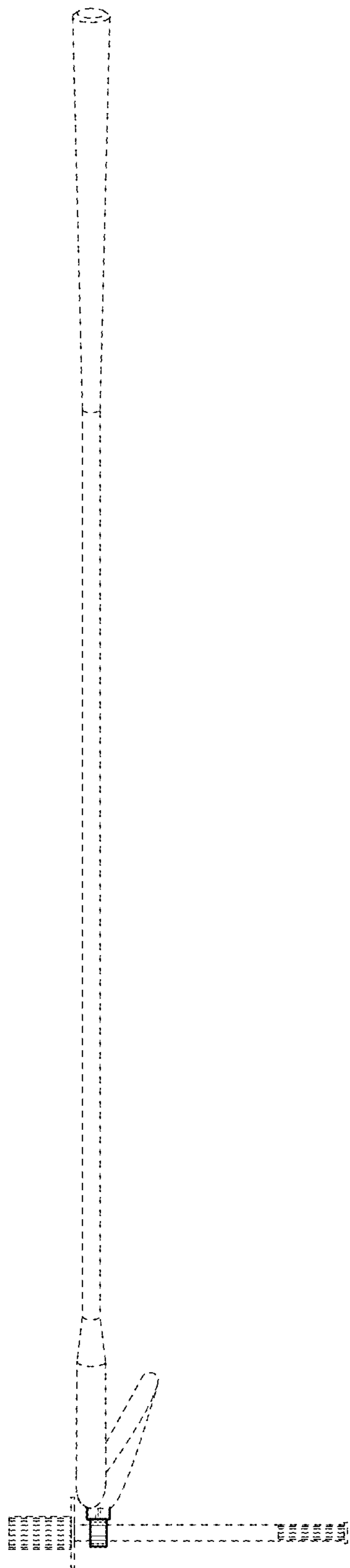


FIG. 5

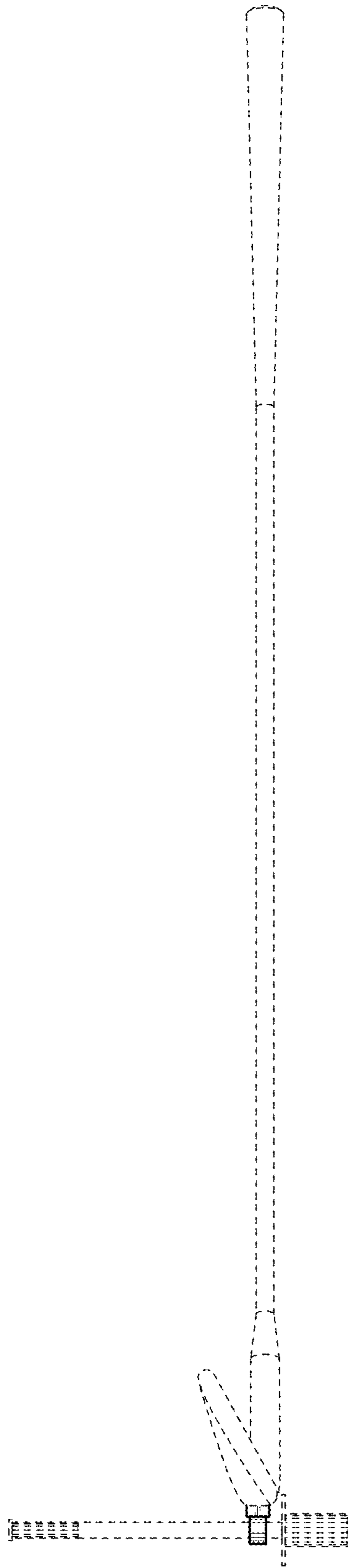


FIG.6

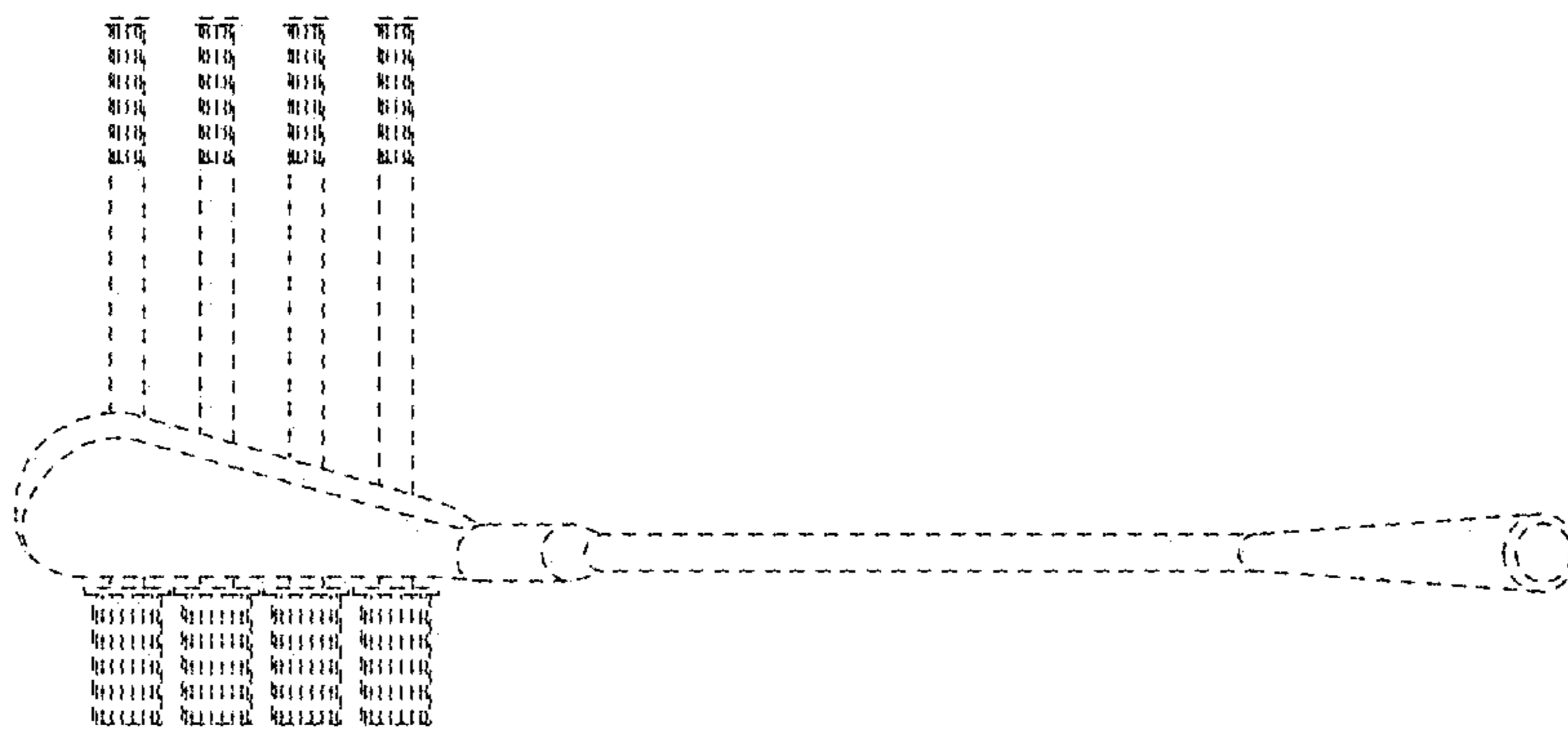


FIG. 7

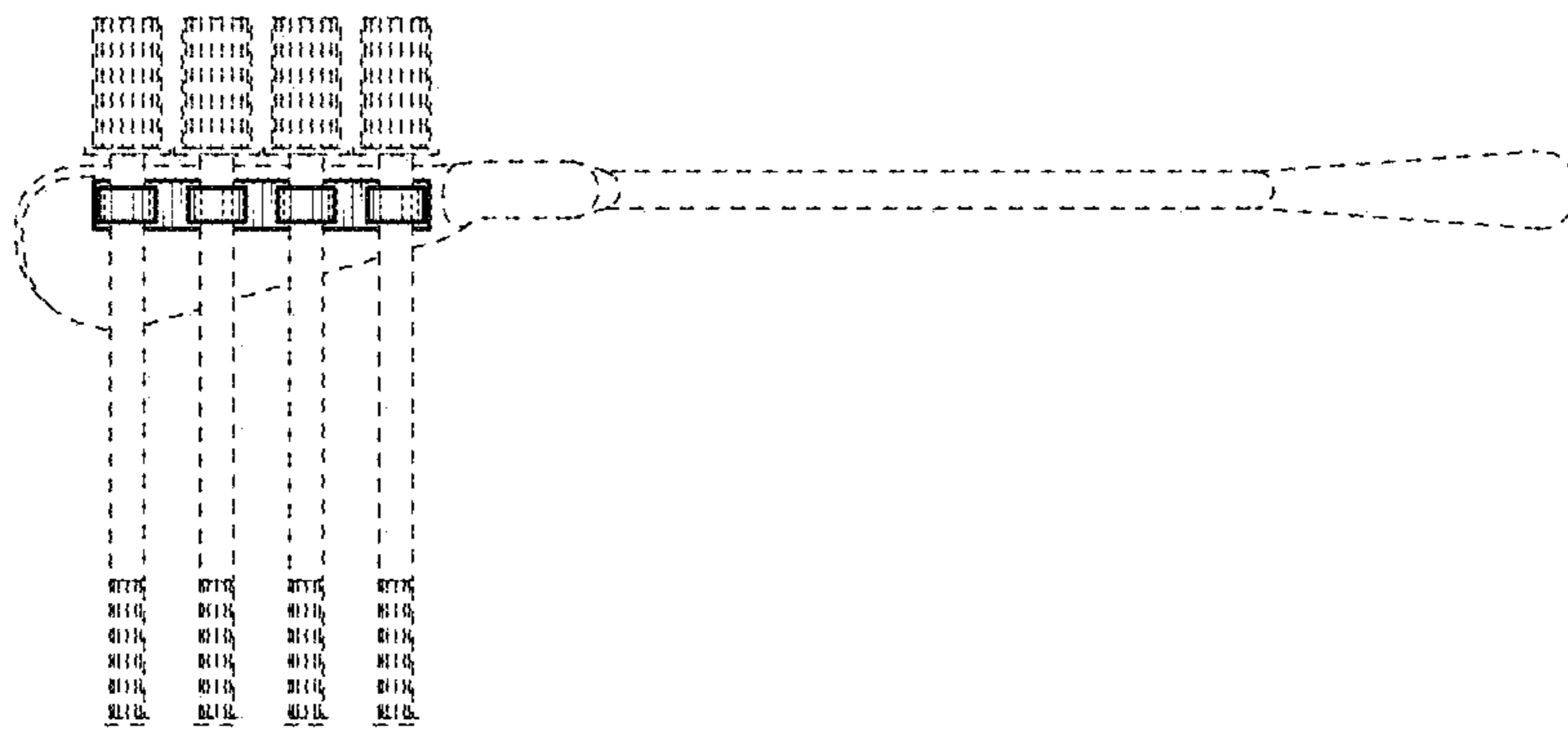


FIG. 8

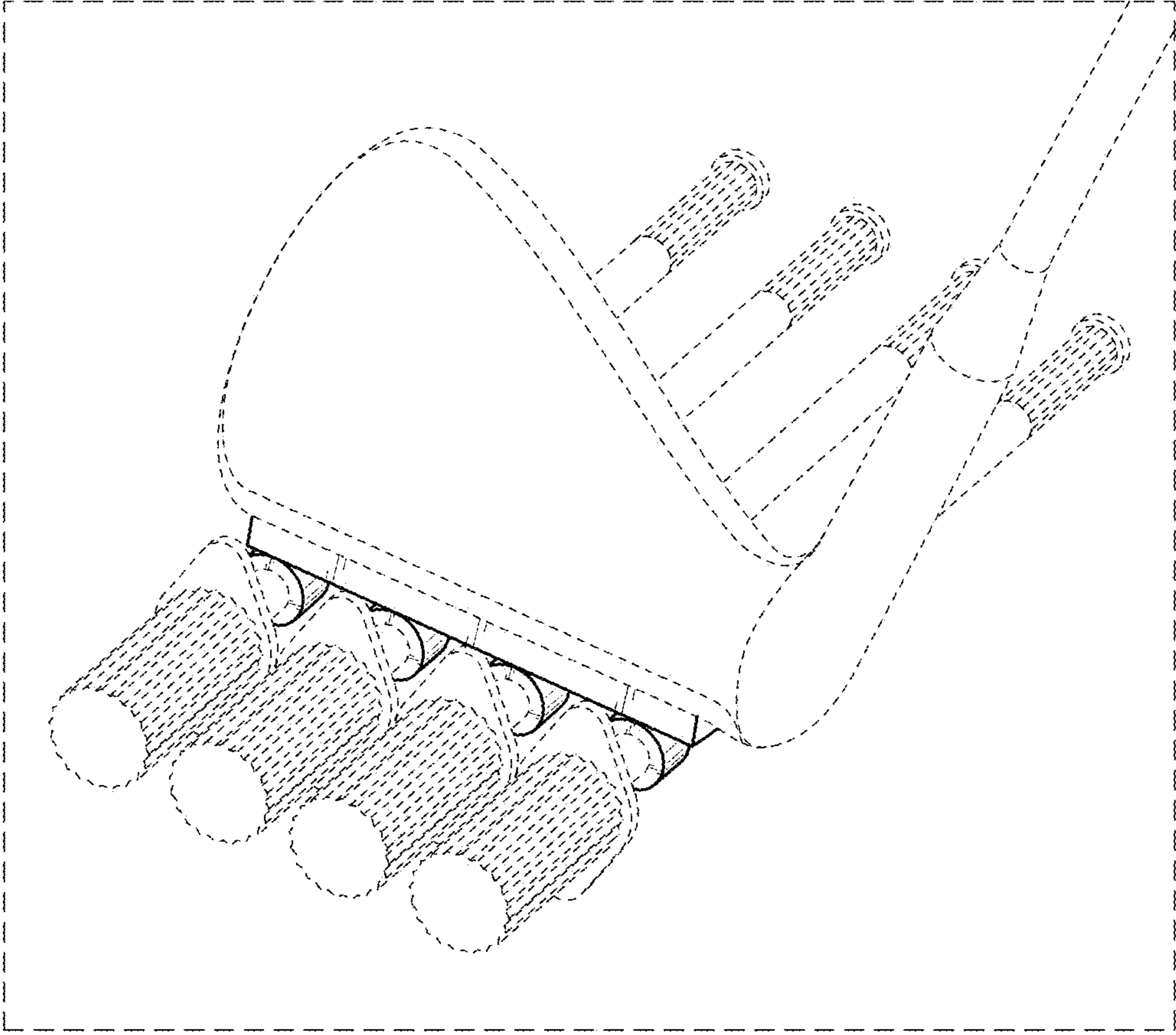


FIG. 9

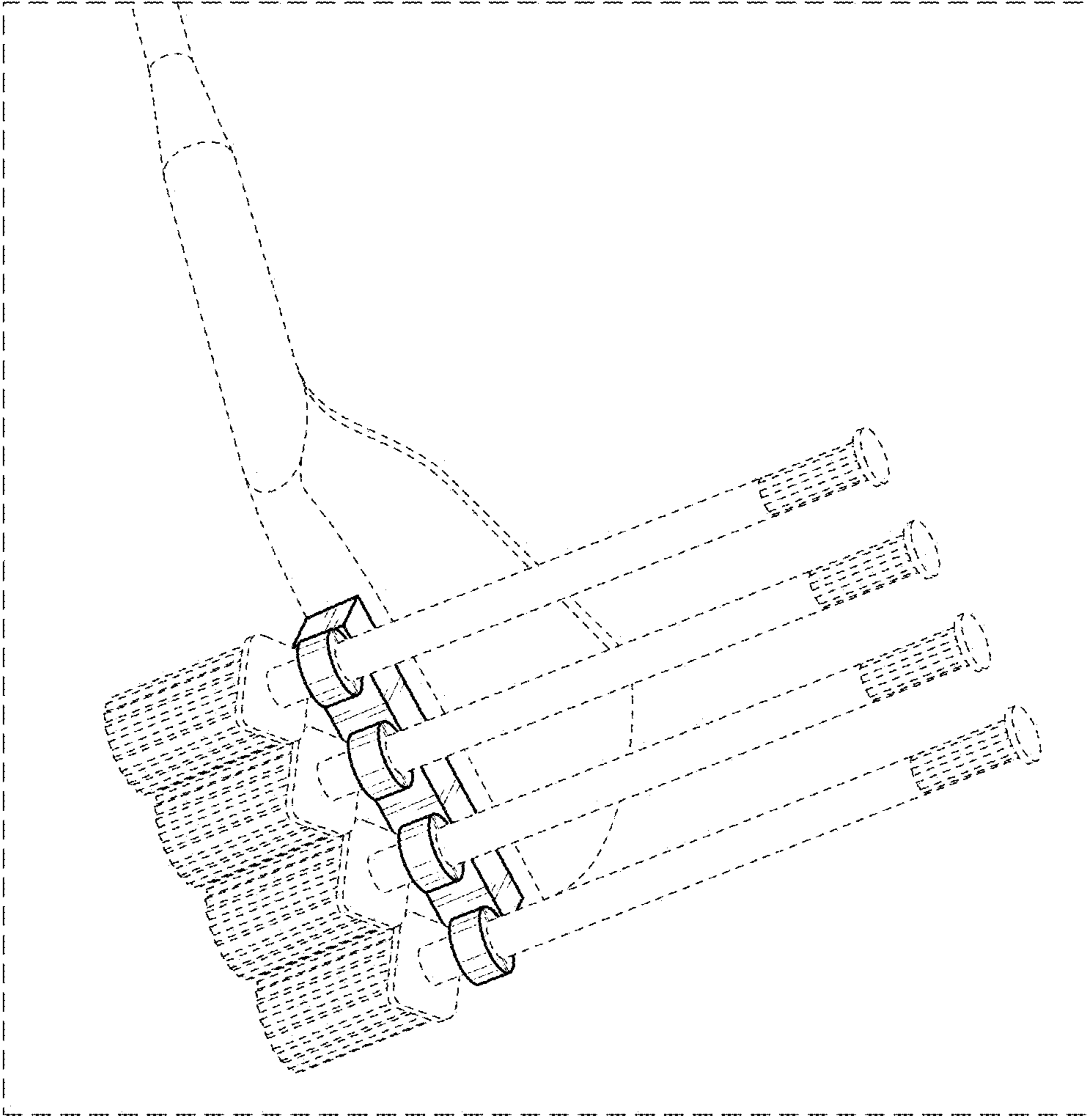


FIG. 10