



US00D917989S

(12) **United States Design Patent** (10) **Patent No.:** **US D917,989 S**
Xie (45) **Date of Patent:** **** May 4, 2021**

(54) **LADLE** D395,381 S * 6/1998 Cousins D7/691
D598,720 S 8/2009 Wu
(71) Applicant: **Zhixia Xie**, Guangdong (CN) D634,591 S 3/2011 Coppo
D688,536 S 8/2013 Lion et al.
(72) Inventor: **Zhixia Xie**, Guangdong (CN) D706,587 S 6/2014 Holding

(73) Assignee: **Shenzhen BaozhiXia Technology Co., Ltd.**, Shenzhen (CN)

* cited by examiner

(**) Term: **15 Years**

Primary Examiner — Terry A Wallace

(21) Appl. No.: **29/760,007**

(57) **CLAIM**

(22) Filed: **Nov. 27, 2020**

The ornamental design for a ladle, as shown and described.

(51) **LOC (13) Cl.** **07-02**

(52) **U.S. Cl.**
USPC **D7/691**

(58) **Field of Classification Search**
USPC D7/688–692, 669, 368
CPC A21B 3/003; A47G 21/045; A47G 21/04;
A47G 21/02; A47G 21/023; A47G
21/026; A47J 43/288; A47J 43/283; A47J
43/281; A47J 43/28; A47J 43/00; A47J
43/282; A47J 43/285; A47F 13/08; A61J
7/0023

DESCRIPTION

See application file for complete search history.

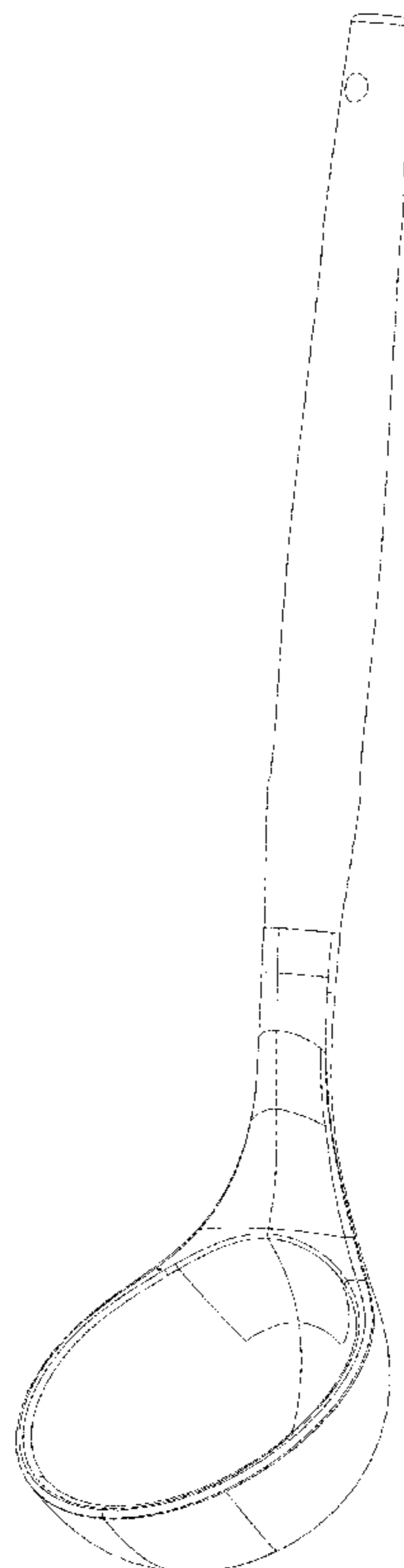
FIG. 1 is a front, right side perspective view of a ladle showing my new design;
FIG. 2 is a left side perspective view thereof;
FIG. 3 is a front elevation view thereof;
FIG. 4 is a rear elevation view thereof;
FIG. 5 is a left side elevation view thereof;
FIG. 6 is a right side elevation view thereof;
FIG. 7 is a top plan view thereof; and,
FIG. 8 is a bottom plan view thereof.

(56) **References Cited**

U.S. PATENT DOCUMENTS

3,822,020 A * 7/1974 Hong A47J 43/281
210/248
3,886,345 A * 5/1975 Baisch H05B 3/00
219/227

1 Claim, 5 Drawing Sheets



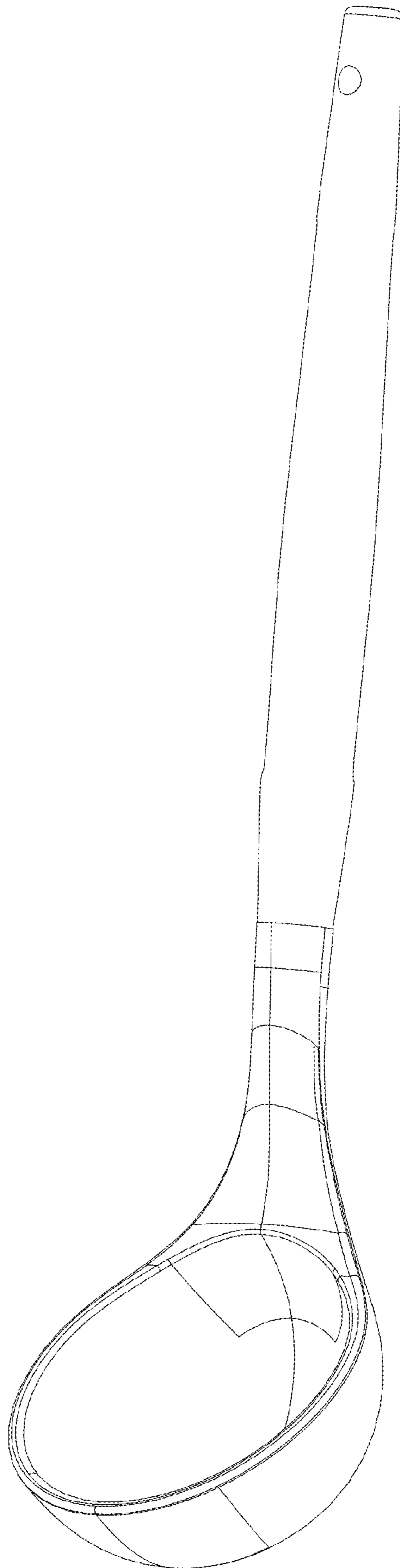


FIG.1

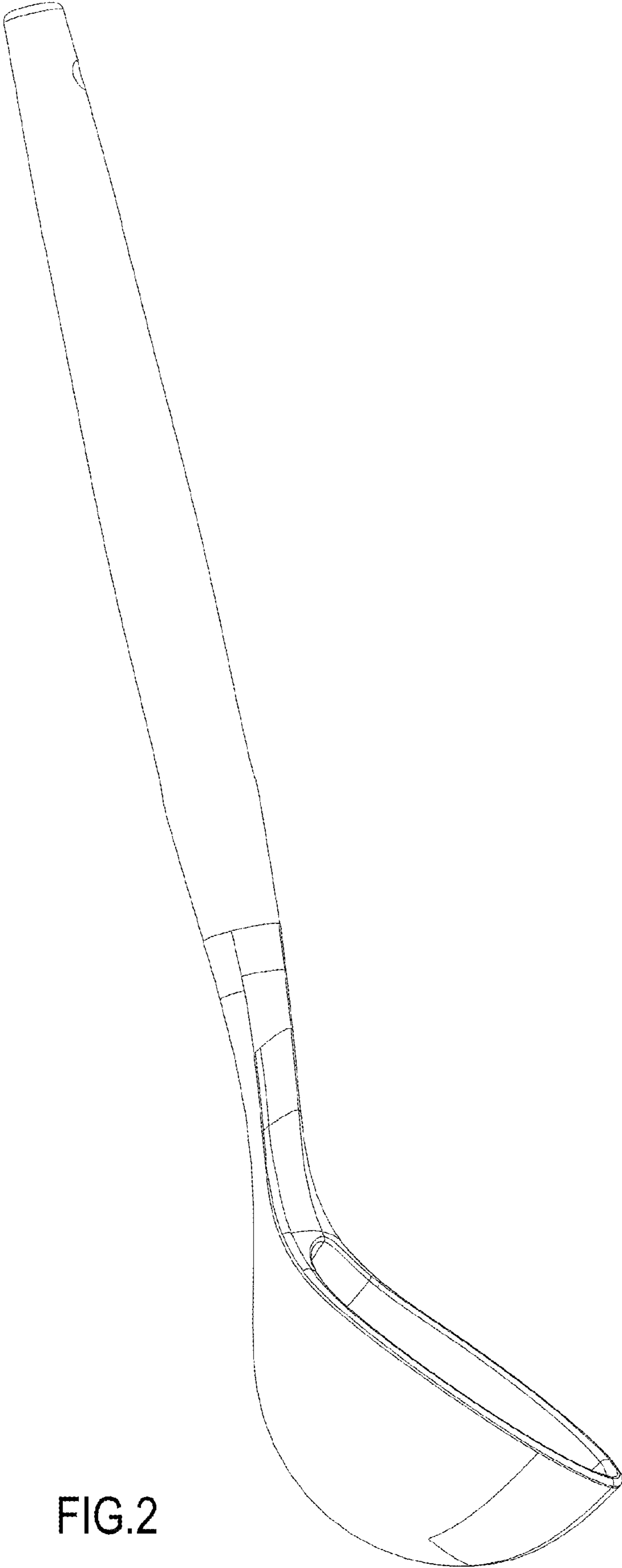
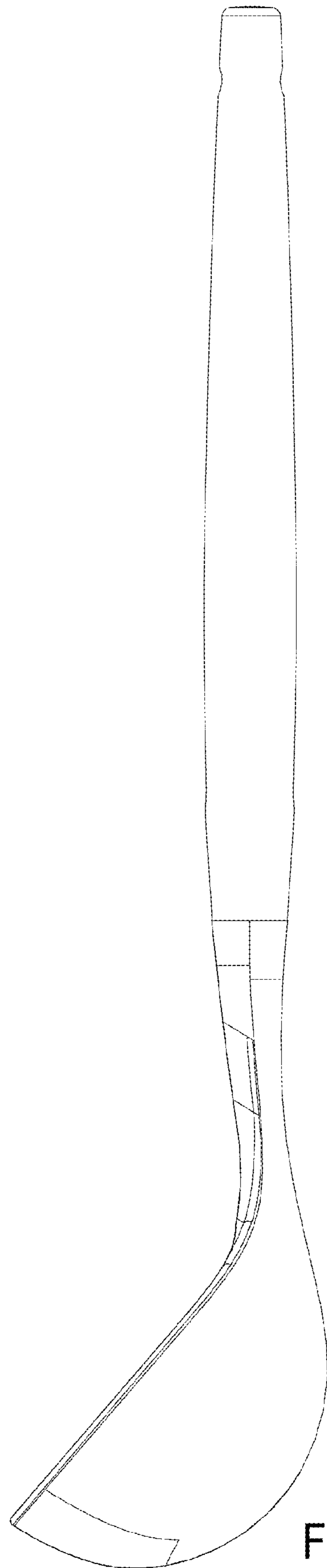
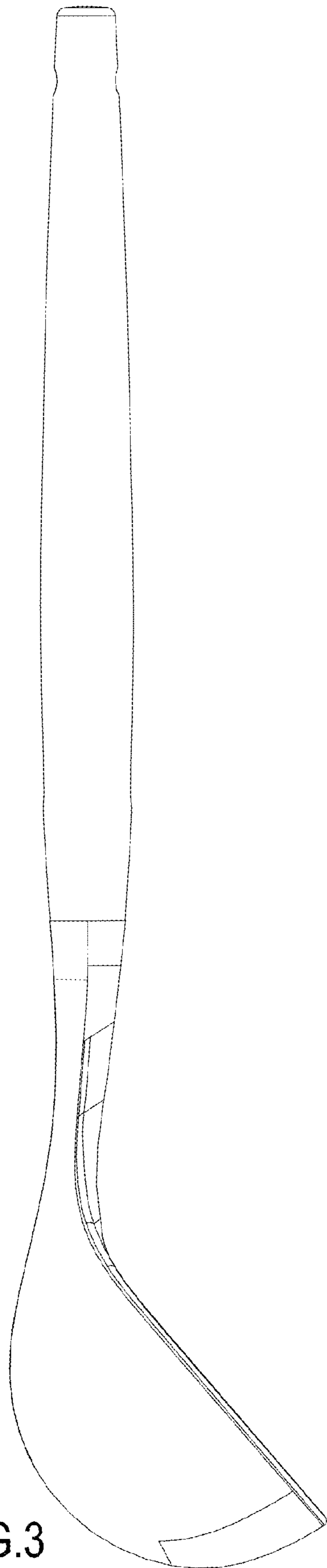


FIG.2



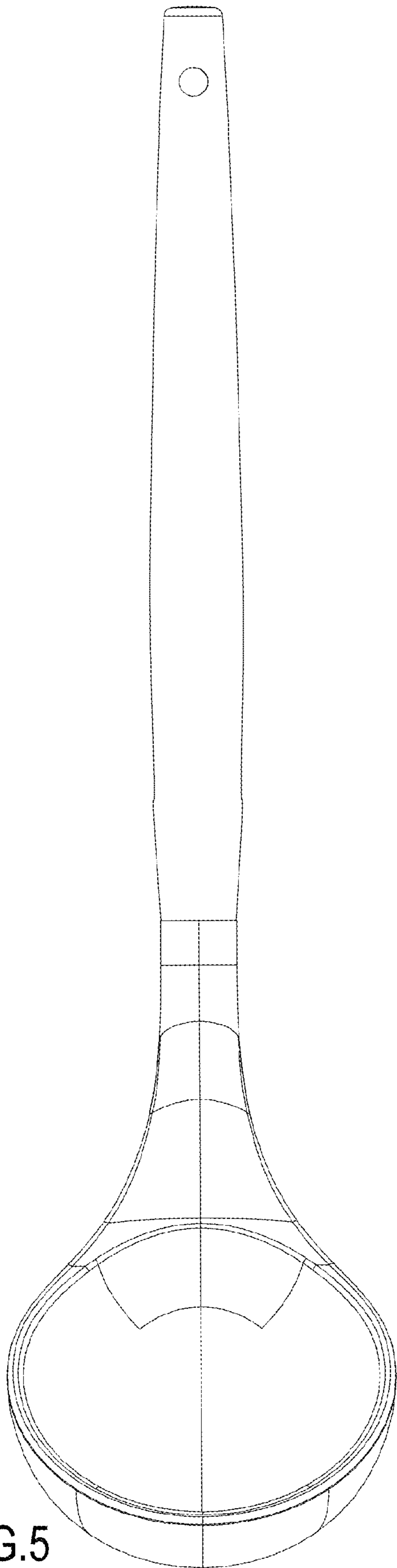


FIG.5

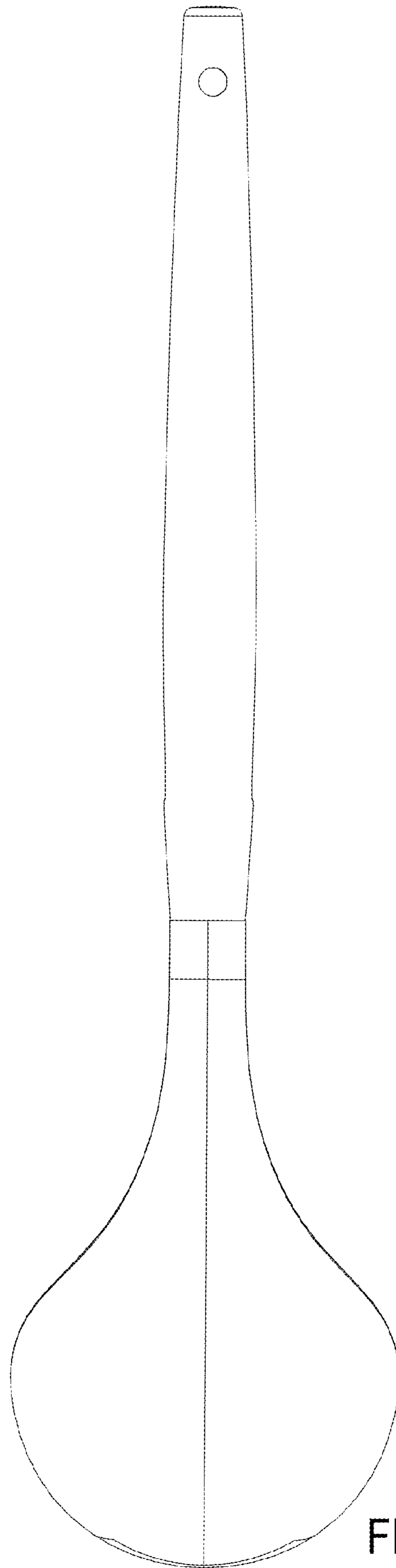


FIG.6

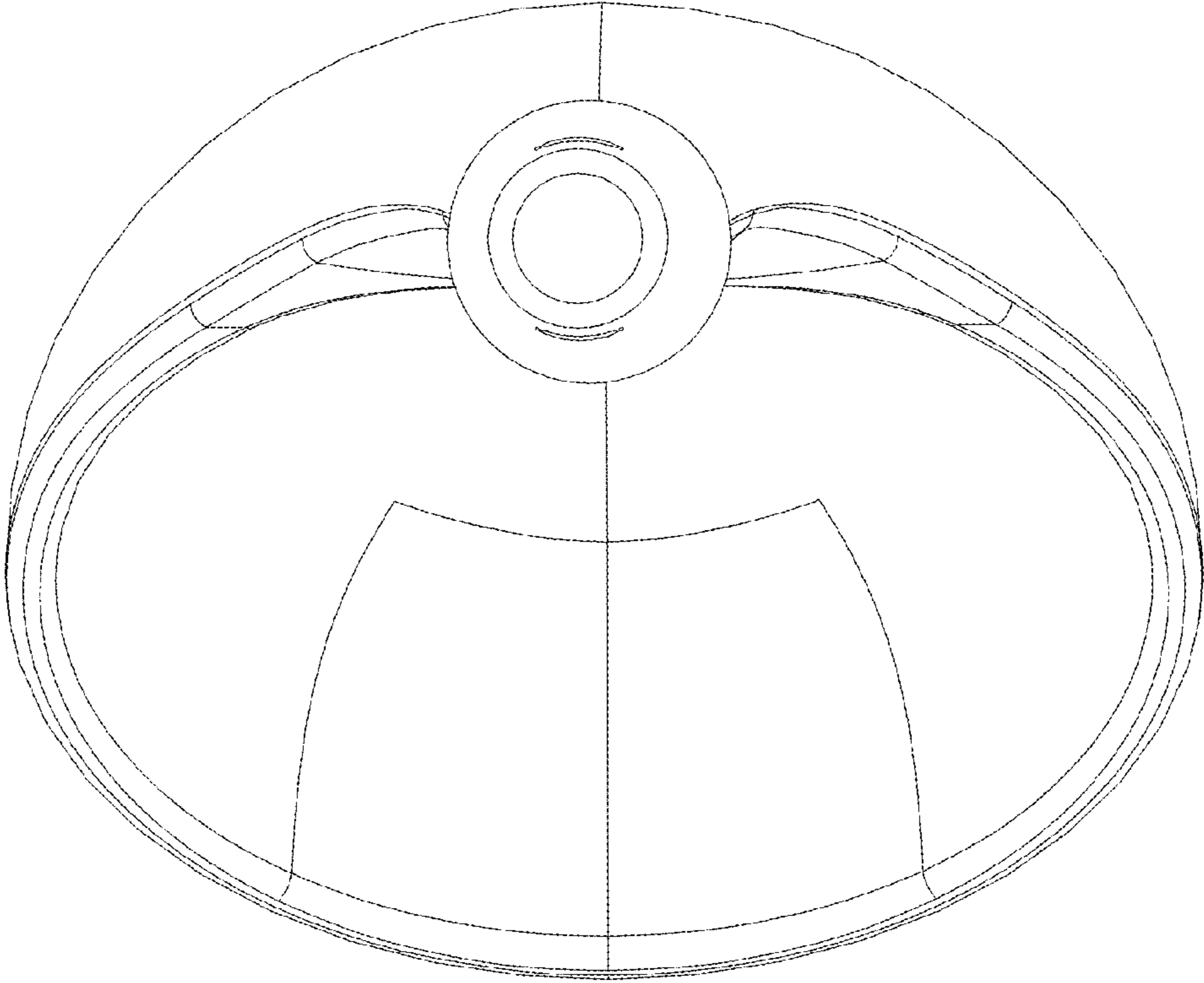


FIG.7

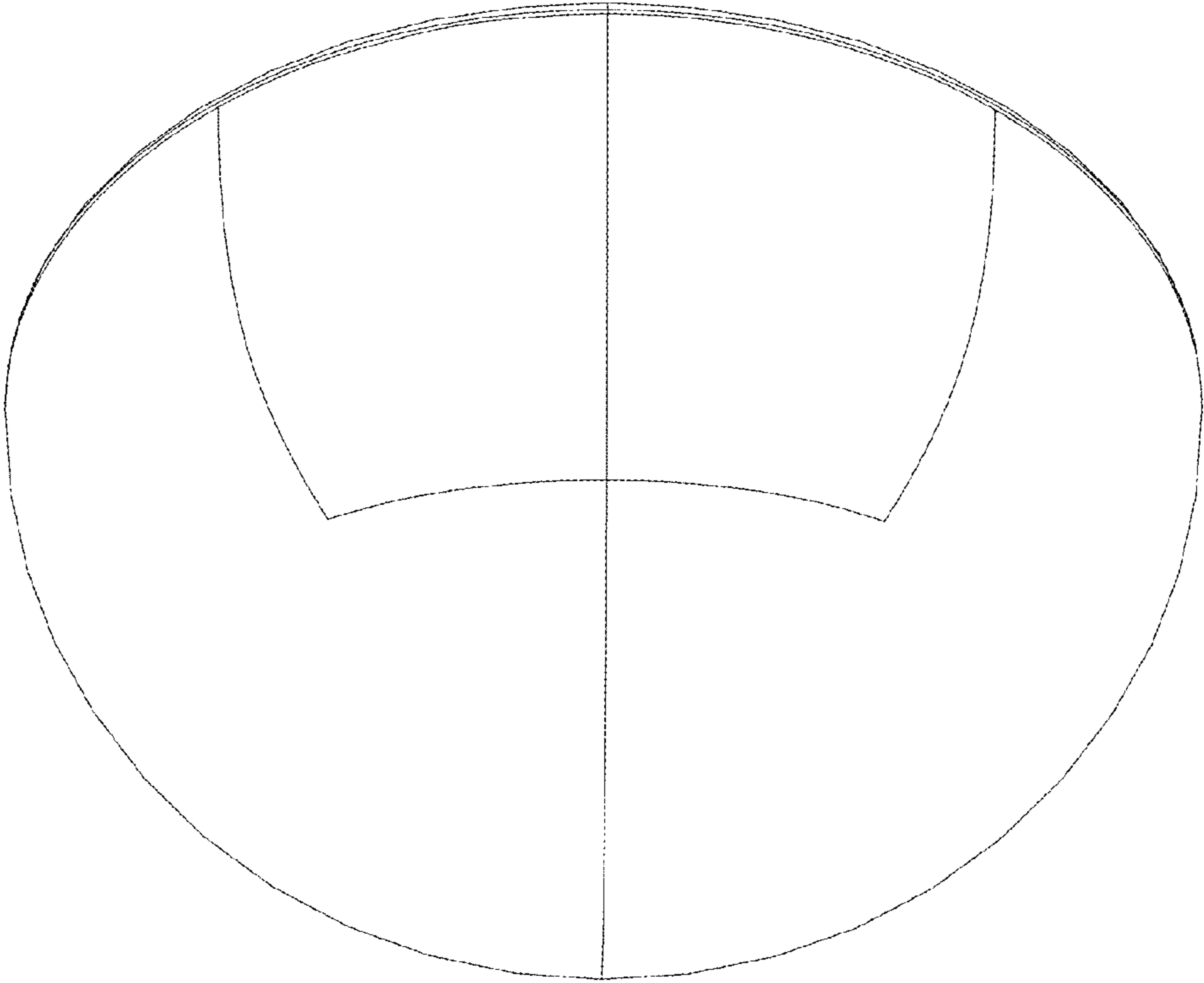


FIG.8