



US00D917987S

(12) **United States Design Patent** (10) **Patent No.:** **US D917,987 S**
Wang (45) **Date of Patent:** **** May 4, 2021**

(54) **STRAINER**
 (71) Applicant: **Wuyi Manchen Stainless Steel Products Co., Ltd., Jinhua (CN)**
 (72) Inventor: **Chunxiao Wang, Jinhua (CN)**
 (73) Assignee: **Wuyi Manchen Stainless Steel Products Co., Ltd., Jinhua (CN)**
 (**) Term: **15 Years**

D505,598 S * 5/2005 Fiedeler D7/667
 D824,221 S 7/2018 Walbroel et al.
 D851,469 S 6/2019 Holding et al.

* cited by examiner

Primary Examiner — Terry A Wallace
 (74) *Attorney, Agent, or Firm* — ScienBiziP, P.C.

(21) Appl. No.: **29/759,906**
 (22) Filed: **Nov. 25, 2020**
 (51) **LOC (13) Cl.** **07-04**
 (52) **U.S. Cl.**
 USPC **D7/667**
 (58) **Field of Classification Search**
 USPC D7/669, 368, 665–668
 CPC A47J 43/286; A47J 43/281; A47J 43/284;
 A47J 43/28; A47J 43/27; B25F 1/04;
 B25F 1/00; B30B 9/02
 See application file for complete search history.

(57) **CLAIM**

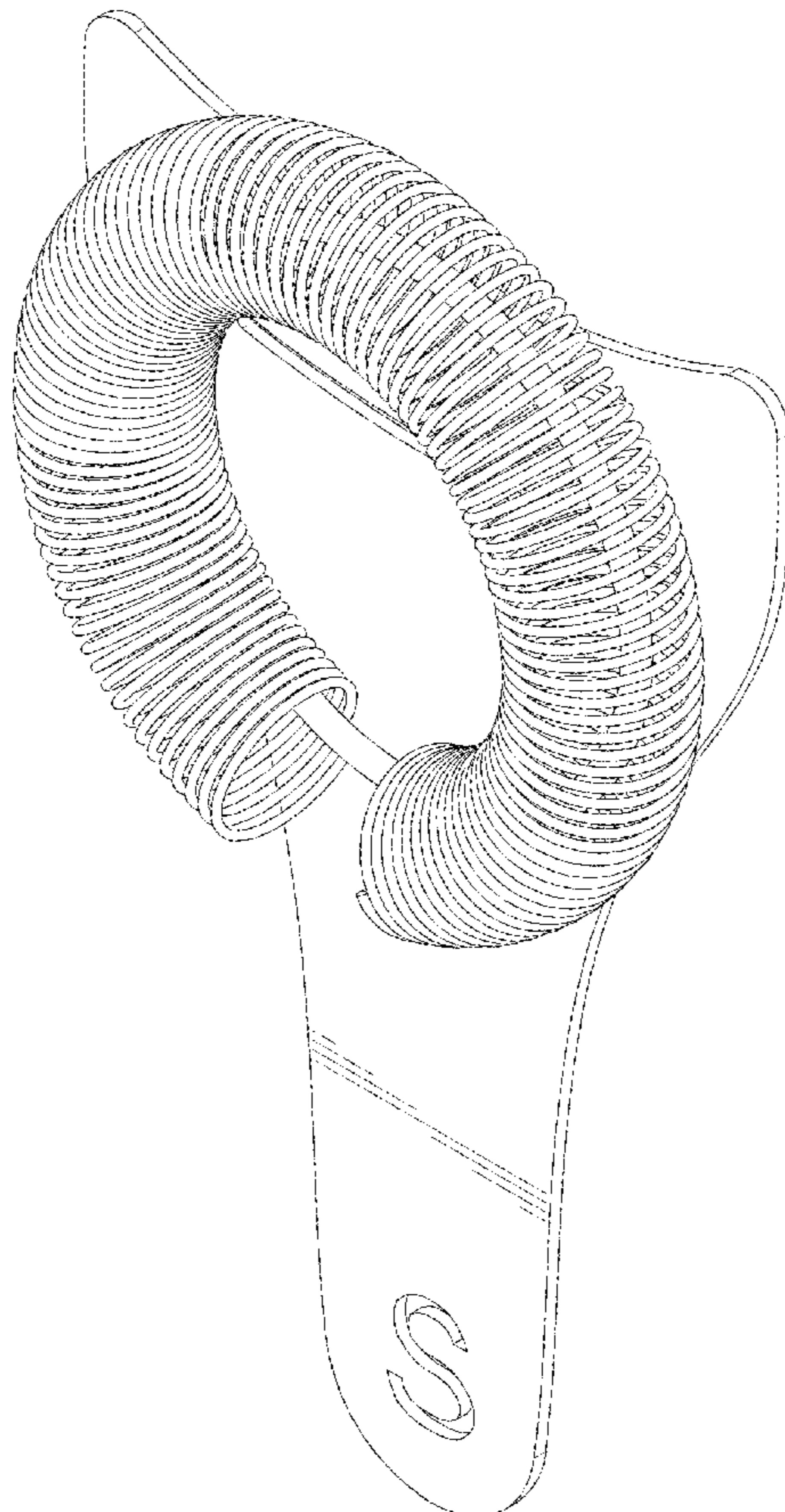
The ornamental design for a strainer, as shown and described.

DESCRIPTION

FIG. 1 is a front, right, and top perspective view of a strainer, showing my design.
 FIG. 2 is a front elevation view thereof.
 FIG. 3 is a rear elevation view thereof.
 FIG. 4 is a left side elevation thereof.
 FIG. 5 is a right side elevation thereof.
 FIG. 6 is a top plan view thereof; and,
 FIG. 7 is a bottom plan view thereof.

(56) **References Cited**
 U.S. PATENT DOCUMENTS
 2,030,834 A * 2/1936 Cominsky A47J 43/27
 215/277
 3,326,384 A * 6/1967 Wessels A47J 43/284
 210/470

1 Claim, 7 Drawing Sheets



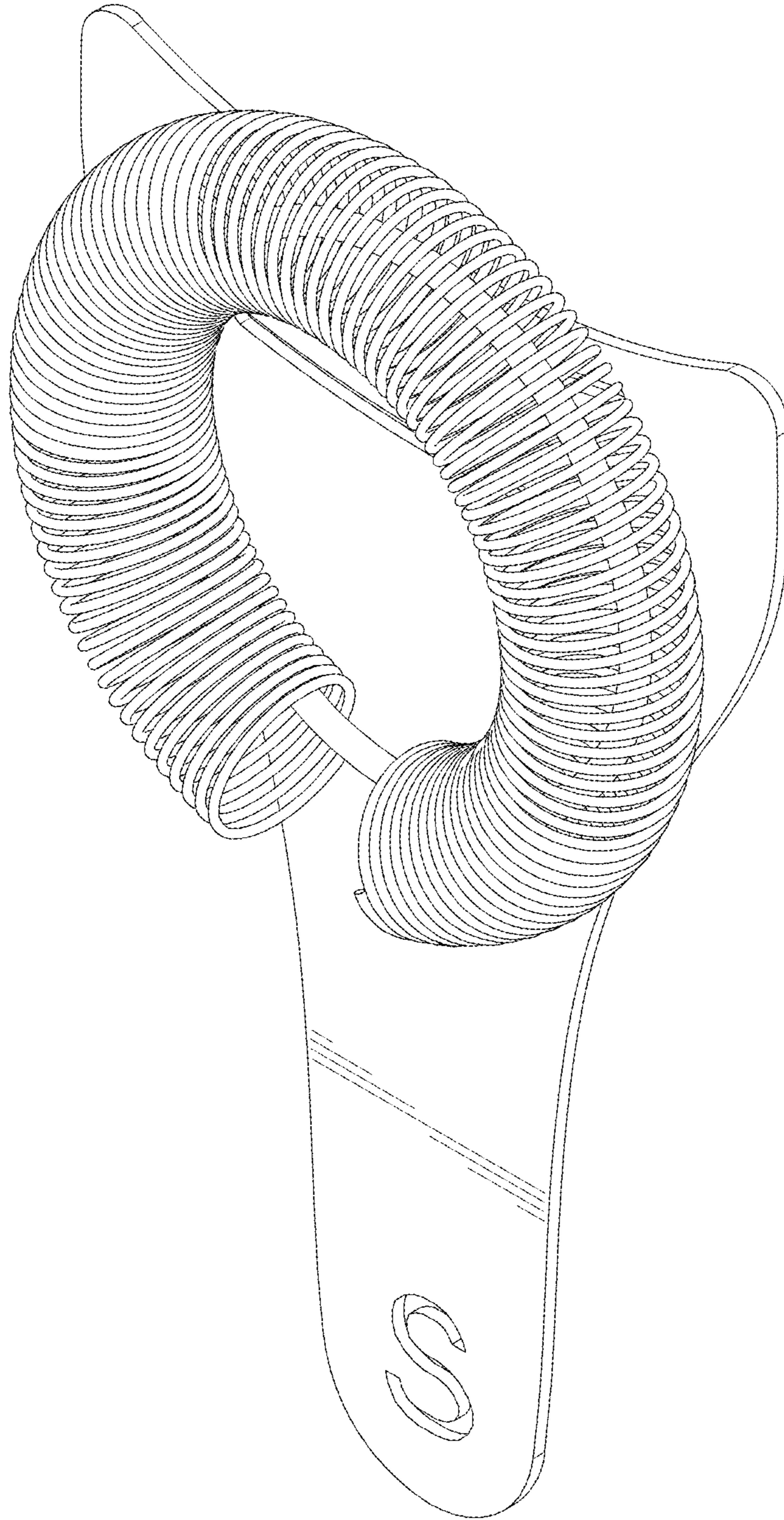


FIG.1

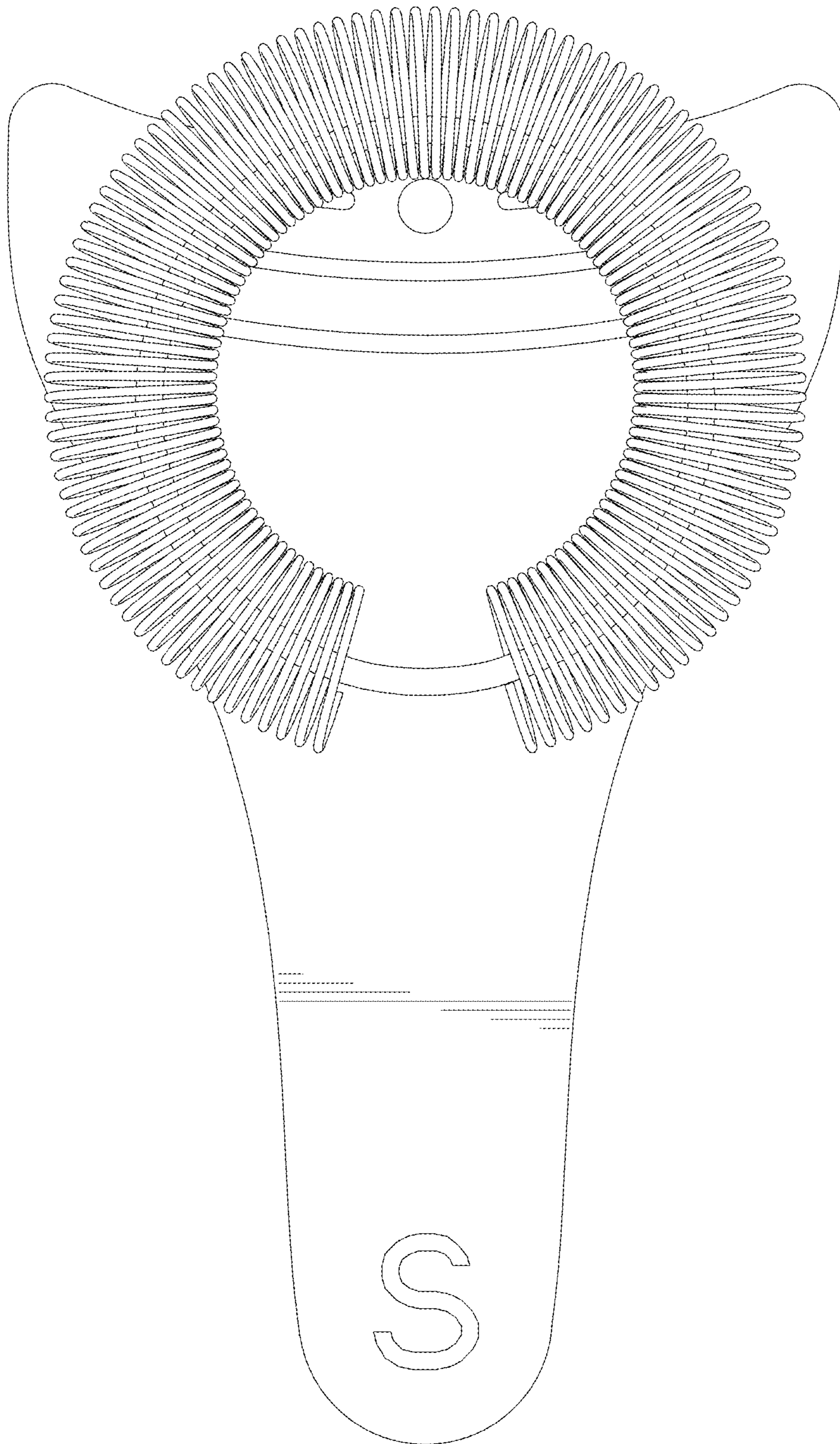


FIG.2

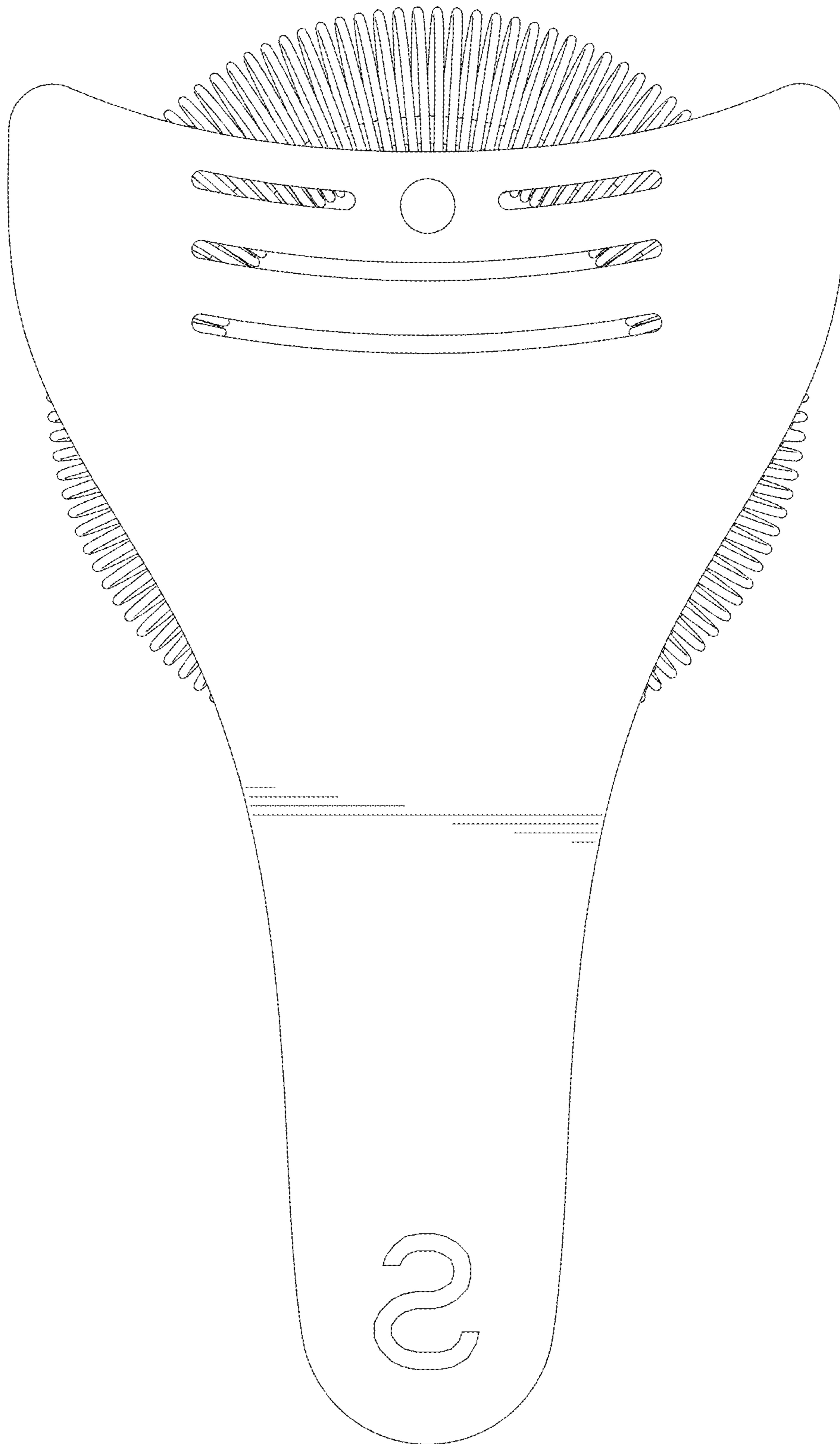


FIG. 3

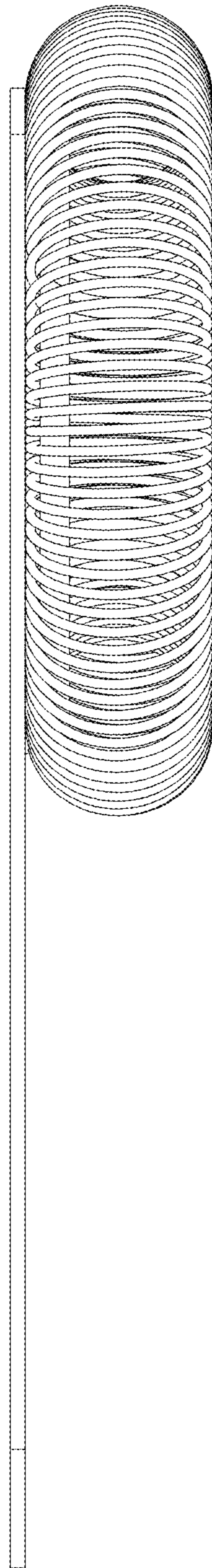


FIG.4

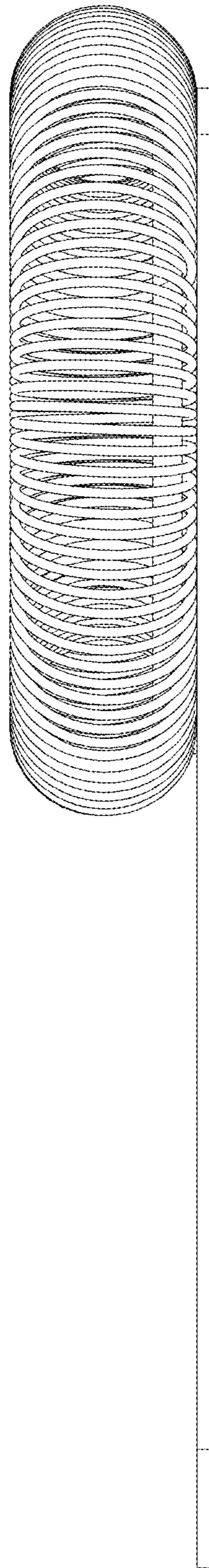


FIG. 5

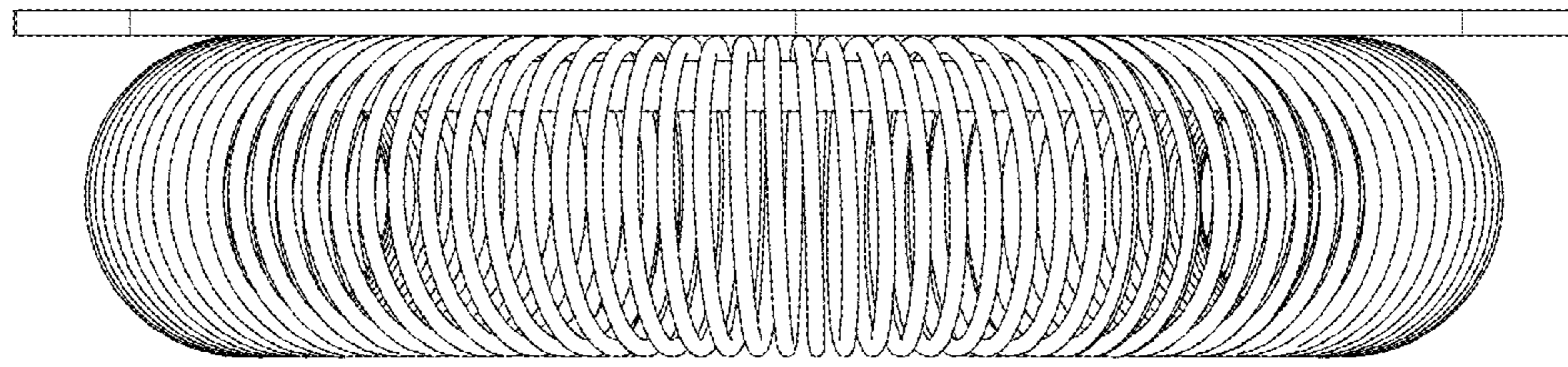


FIG.6

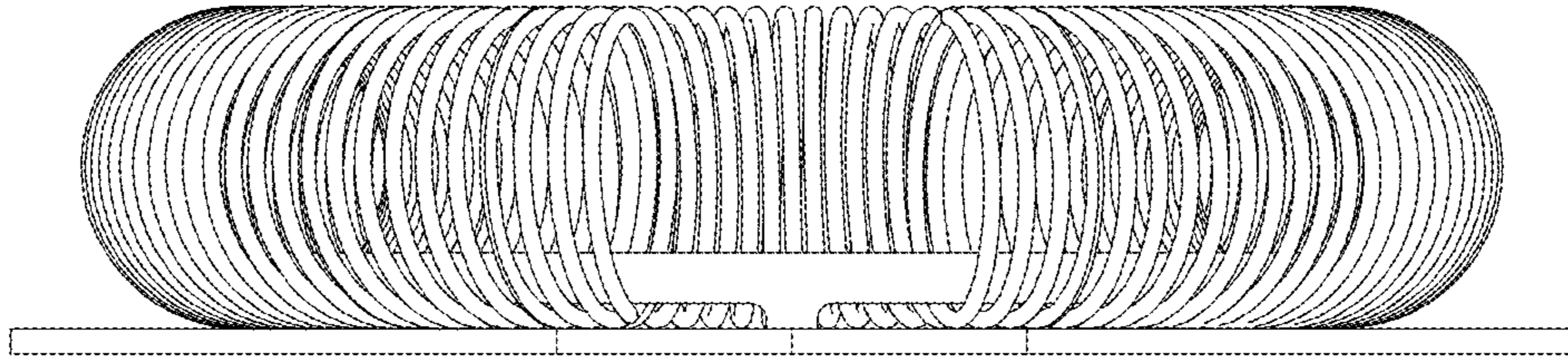


FIG. 7