



US00D917986S

(12) **United States Design Patent** (10) **Patent No.:** **US D917,986 S**
Biesinger et al. (45) **Date of Patent:** **** May 4, 2021**

- (54) **FRUIT CUP INFUSER** 7,117,784 B2 * 10/2006 de Groote A47J 17/18
 99/508
 (71) Applicant: **MUNCHKIN, INC.**, Van Nuys, CA 8,205,544 B2 * 6/2012 Rivera A47J 19/023
 (US) 99/502
 D664,011 S * 7/2012 Affonso D7/665
 (72) Inventors: **Quinn Michael Biesinger**, Los Angeles, CA (US); **Thomas E Birkert**, West Hills, CA (US); **Mark Gerard Tebbe**, Ventura, CA (US) D727,682 S * 4/2015 Madvin D7/397
 D747,936 S * 1/2016 Chitayat D7/510
 D756,173 S * 5/2016 Decaris D7/665
 9,949,502 B2 * 4/2018 Fouquet A23L 2/04
 D828,093 S * 9/2018 Chitayat D7/507
 10,285,528 B2 * 5/2019 Upston A47J 36/06
 D859,070 S * 9/2019 Biesinger D7/400
 D860,735 S * 9/2019 Westrick D7/665
 D888,495 S * 6/2020 Davis D7/507

(**) Term: **15 Years**

* cited by examiner

(21) Appl. No.: **29/617,859**

Primary Examiner — Susan E Krakower
Assistant Examiner — Andrew Kerr

(22) Filed: **Sep. 15, 2017**

(74) *Attorney, Agent, or Firm* — Alan D. Borelli; Robert Z. Evora, Esq.

(51) **LOC (13) Cl.** **31-00**

(52) **U.S. Cl.**
USPC **D7/667**

(58) **Field of Classification Search**
USPC D7/400, 399, 397, 387, 368, 665, 678,
D7/372, 300, 693, 669, 412, 413, 667
CPC A47J 19/00; A47J 19/005; A47J 19/02;
A47J 19/002; A47G 19/16; A23N 1/00;
A23N 1/003
See application file for complete search history.

(57) **CLAIM**

The ornamental design for a fruit cup infuser, as shown and described.

DESCRIPTION

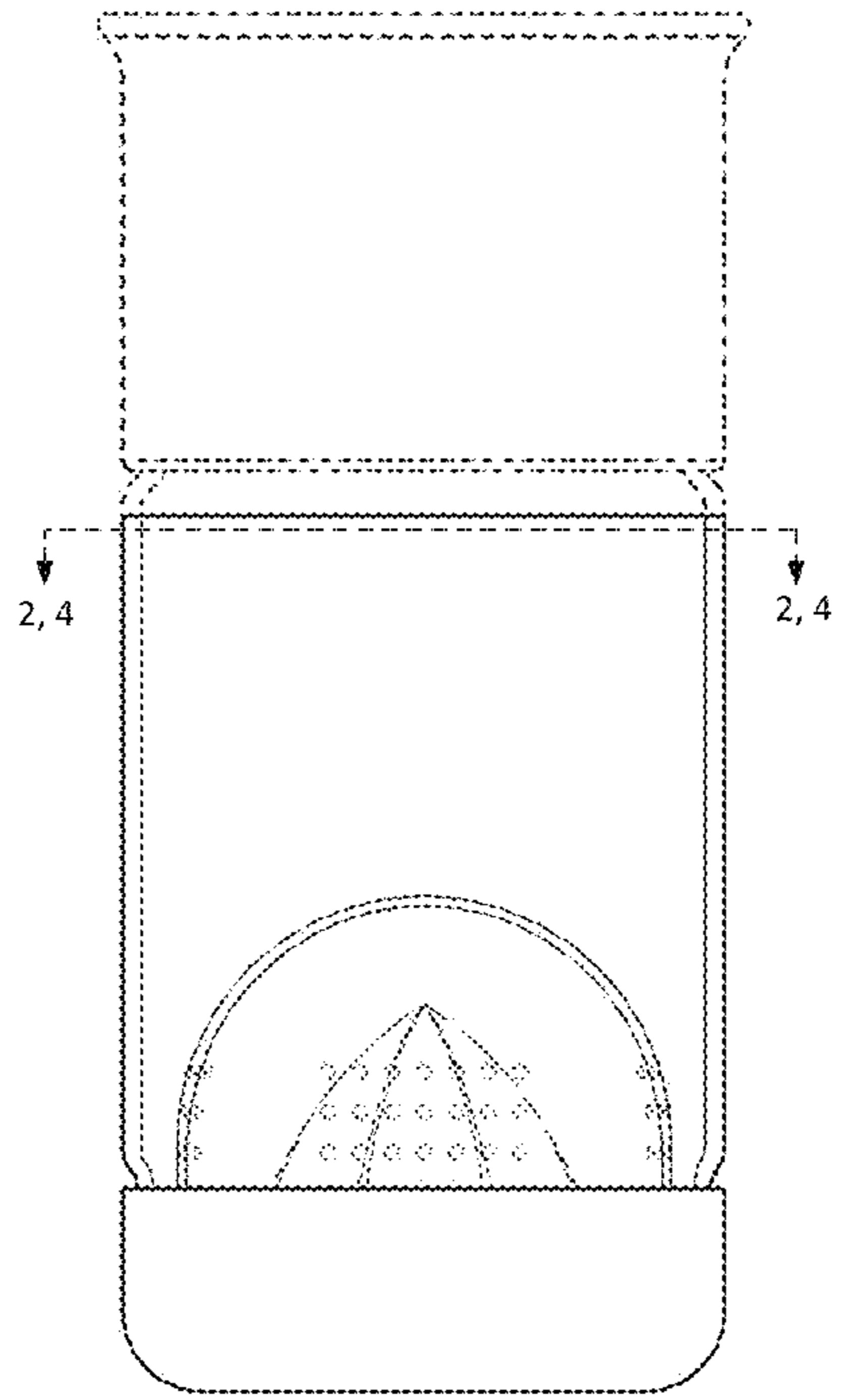
FIG. 1 is a front view of a fruit cup infuser of our new design;
FIG. 2 is a top cross section view taken from line 2-2 in FIG. 1;
FIG. 3 is a bottom view thereof;
FIG. 4 is an upper perspective cross section view taken from line 4-4 in FIG. 1; and,
FIG. 5 is a lower perspective view thereof.
The broken lines shown in the drawings depict portions of the fruit cup infuser that form no part of the claimed design.

(56) **References Cited**

U.S. PATENT DOCUMENTS

- D279,157 S * 6/1985 Gecchelin D7/665
 D296,288 S * 6/1988 Zimnowicz D7/665
 D407,954 S * 4/1999 Lehn D7/665
 D465,386 S * 11/2002 Wang D7/665
 D473,431 S * 4/2003 Schwamkrug D7/665
 D484,754 S * 1/2004 Schuler D7/665
 D485,474 S * 1/2004 Wong D7/665

1 Claim, 5 Drawing Sheets



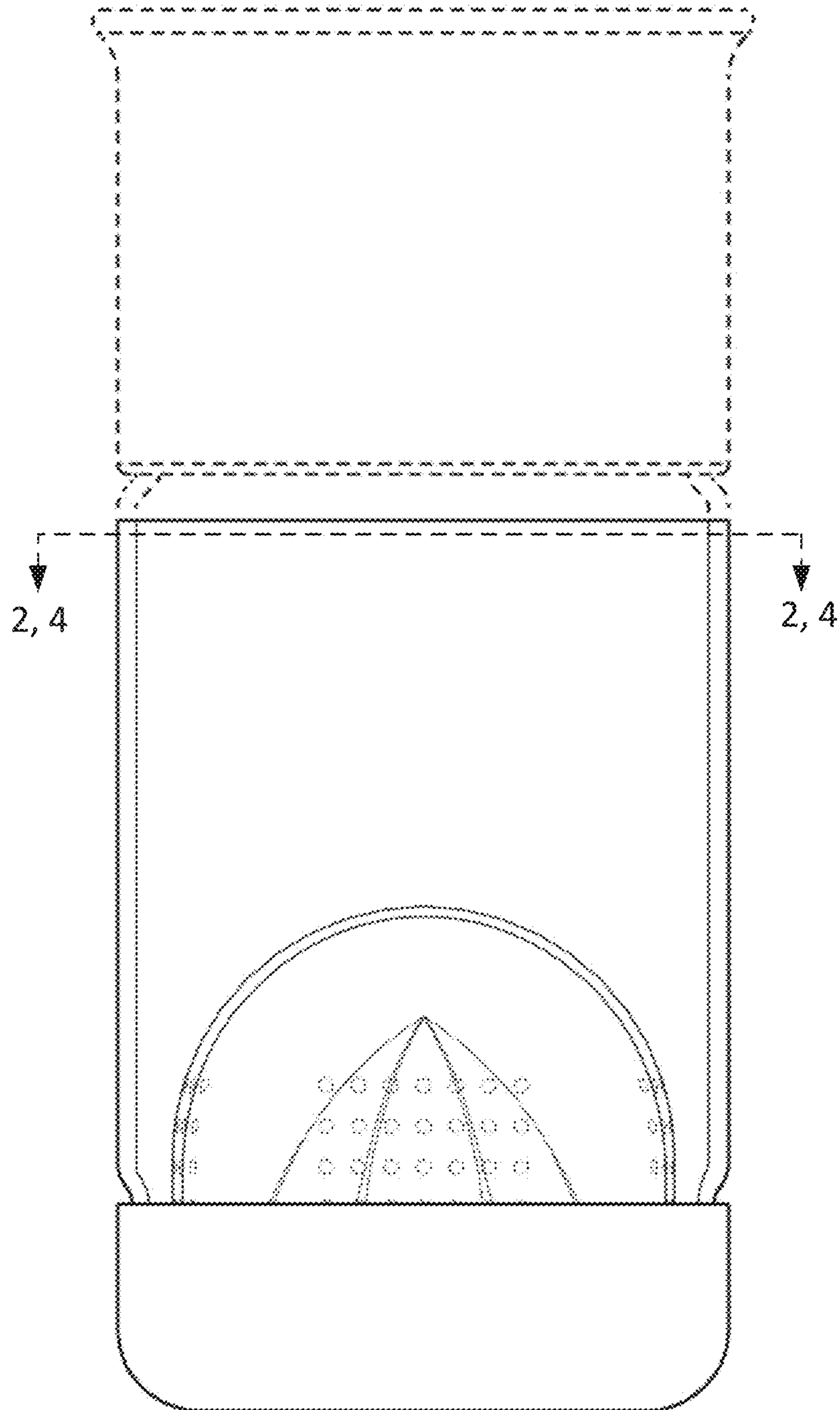


FIG. 1

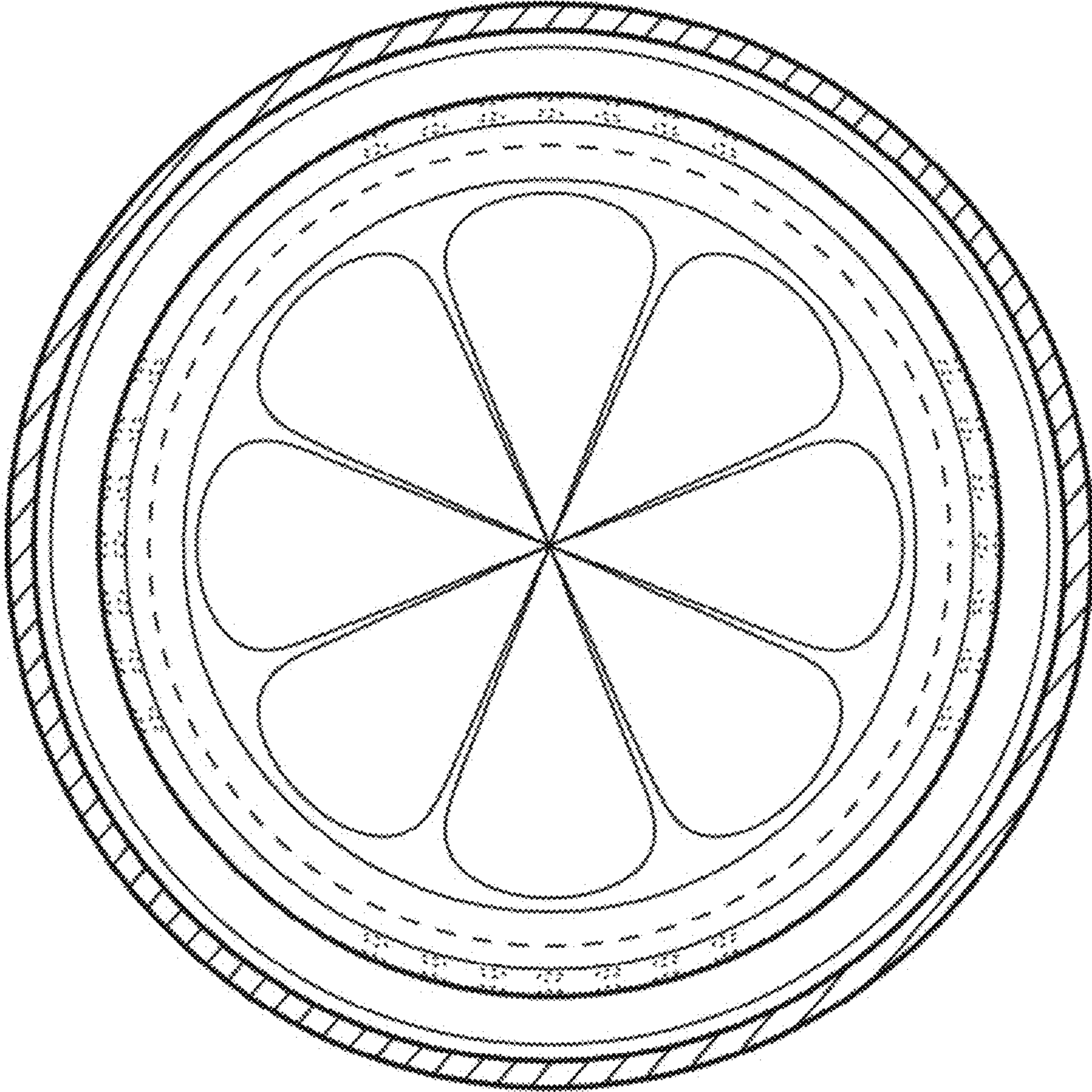


FIG. 2

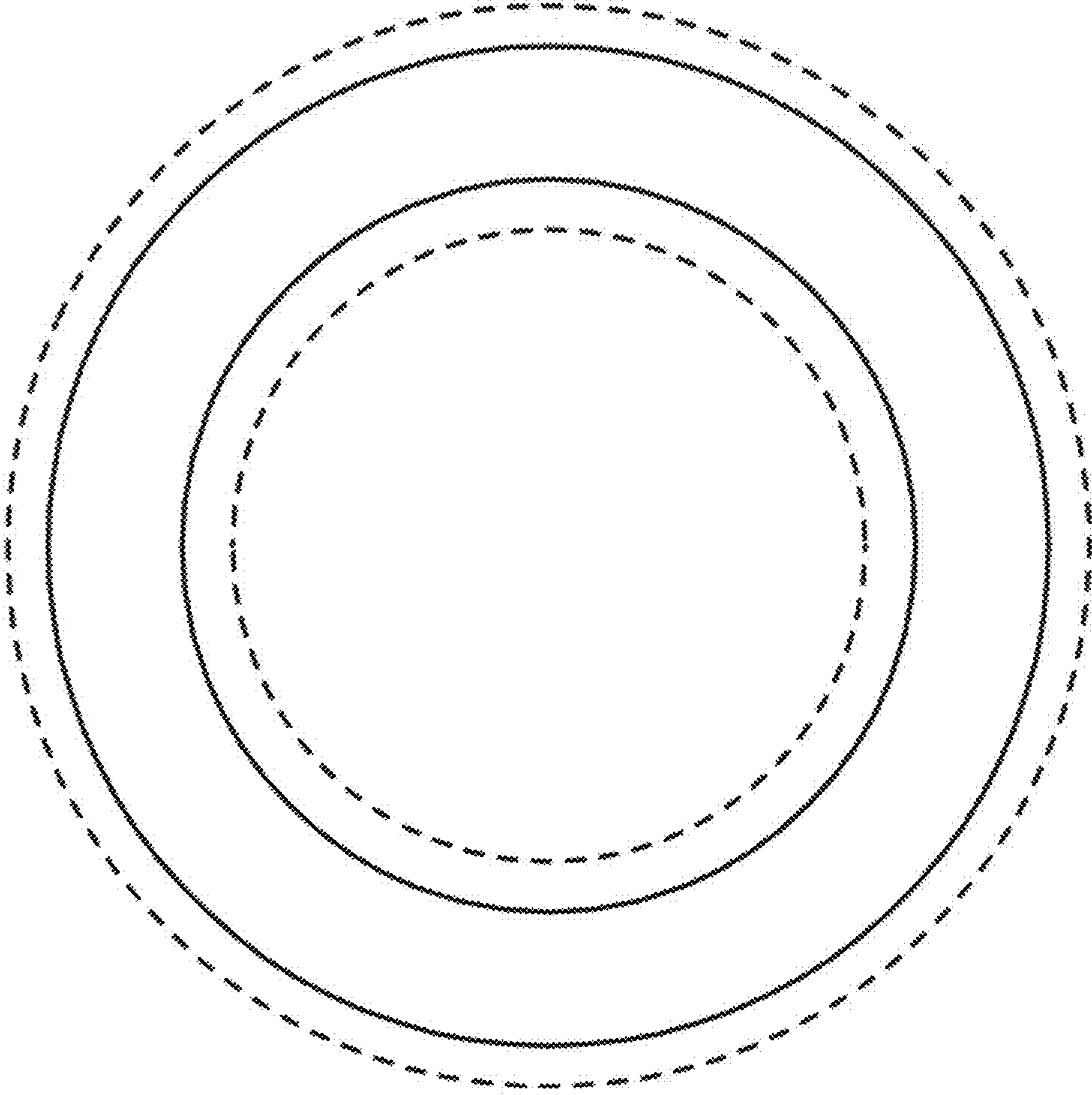


FIG. 3

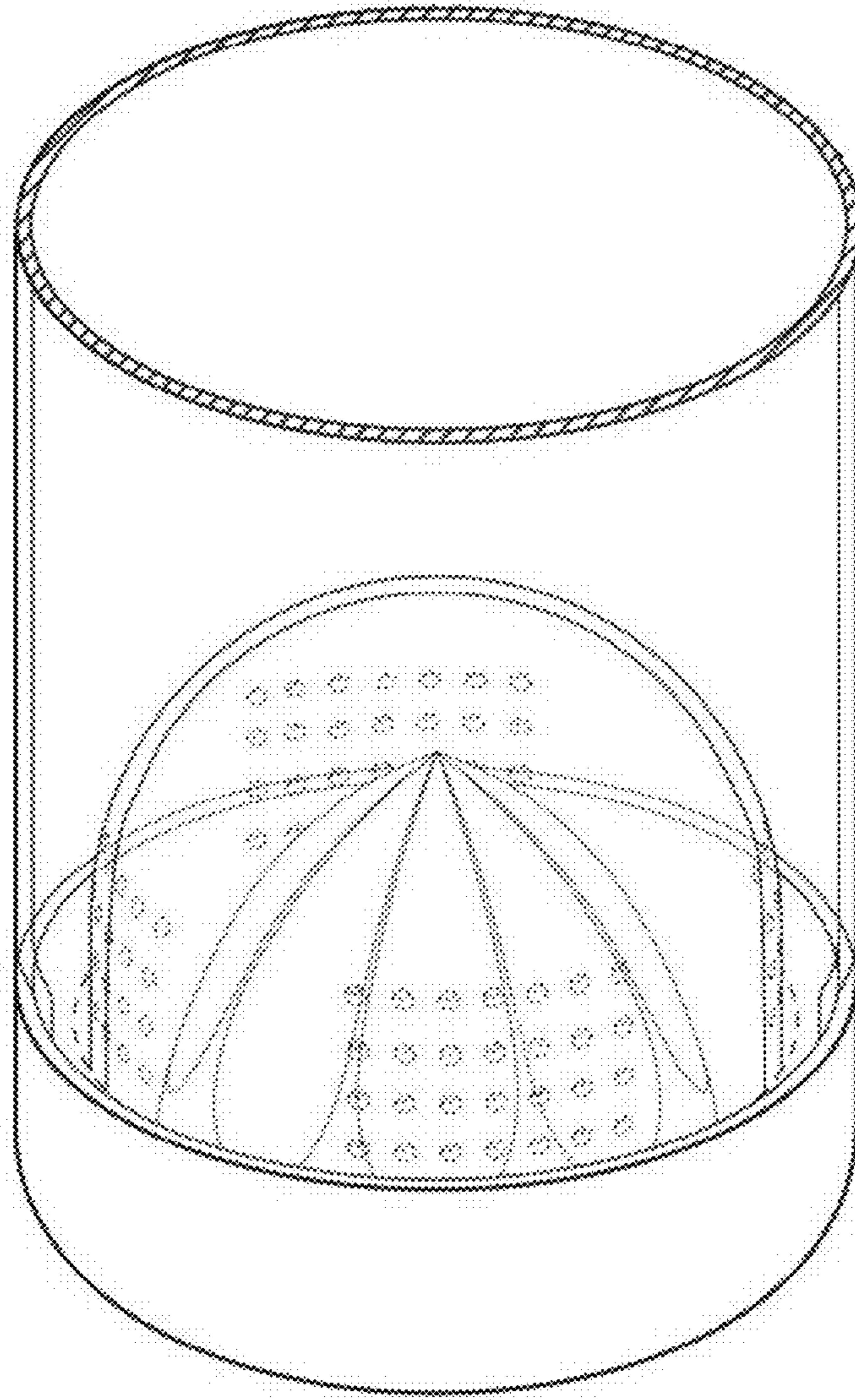


FIG. 4

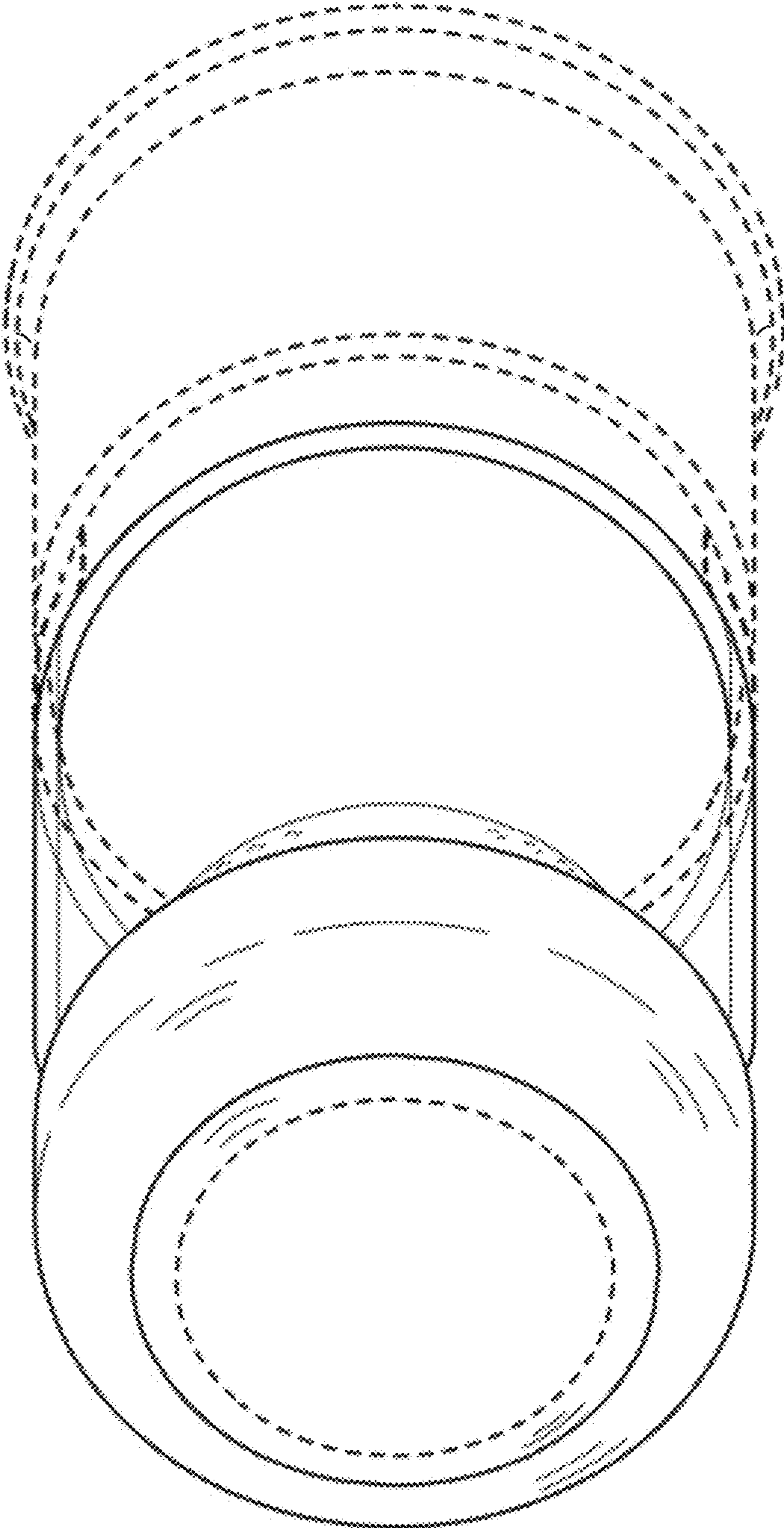


FIG. 5