



US00D917980S

(12) **United States Design Patent** (10) **Patent No.:** **US D917,980 S**  
**Lee** (45) **Date of Patent:** **\*\* May 4, 2021**

(54) **CONTAINER FOR FOOD STORAGE**  
(71) Applicant: **Lock & Lock Co., Ltd.**, Asan-si (KR)  
(72) Inventor: **Youn Jung Lee**, Guri-si (KR)  
(73) Assignee: **LOCK & LOCK CO., LTD.**, Asan-si (KR)  
(\*\*) Term: **15 Years**

D542,077 S \* 5/2007 Claypool ..... D7/312  
D557,600 S \* 12/2007 Pettigrew ..... D9/420  
D651,528 S \* 1/2012 Robbins, III ..... D10/46.2  
D673,453 S \* 1/2013 Luburic ..... D9/516  
D679,958 S \* 4/2013 Yang ..... D7/629  
D708,888 S \* 7/2014 Duran ..... D7/317  
D816,513 S \* 5/2018 Cerrato ..... D9/737  
D831,445 S \* 10/2018 Karger ..... D7/709  
D853,838 S \* 7/2019 Liu ..... D9/432  
2002/0148846 A1 \* 10/2002 Luburic ..... B65D 43/0256  
220/792

(21) Appl. No.: **29/669,697**  
(22) Filed: **Nov. 9, 2018**

\* cited by examiner

*Primary Examiner* — Derrick E Holland  
*Assistant Examiner* — Andrew Kerr  
(74) *Attorney, Agent, or Firm* — Stein IP, LLC

(30) **Foreign Application Priority Data**  
Oct. 31, 2018 (KR) ..... 30-2018-0050082  
(51) **LOC (13) Cl.** ..... **09-07**  
(52) **U.S. Cl.**  
USPC ..... **D7/629**  
(58) **Field of Classification Search**  
USPC ..... D7/601, 602, 603, 629, 619.1, 622;  
D9/434, 435, 436, 449, 516, 529, 530,  
D9/531, 572, 573, 574, 715, 414, 430,  
D9/432  
CPC .... B65D 83/205; B65D 83/384; B65D 83/75;  
B65D 2543/00092; B65D 43/16; B65D  
5/46; B65D 5/46072  
See application file for complete search history.

(57) **CLAIM**

The ornamental design for a container for food storage, as shown and described.

**DESCRIPTION**

FIG. 1 is a perspective view of a container for food storage, showing my new design;  
FIG. 2 is a front elevation view thereof;  
FIG. 3 is a rear elevation view thereof;  
FIG. 4 is a left side elevation view thereof;  
FIG. 5 is a right side elevation view thereof;  
FIG. 6 is a top plan view thereof; and,  
FIG. 7 is a bottom plan view thereof.  
The broken lines in the drawings depict portions of the container for food storage that form no part of the claimed design.

(56) **References Cited**  
U.S. PATENT DOCUMENTS  
6,349,866 B1 \* 2/2002 Stewart ..... B65D 5/703  
220/259.1  
D540,493 S \* 4/2007 Fick ..... D3/294

**1 Claim, 7 Drawing Sheets**

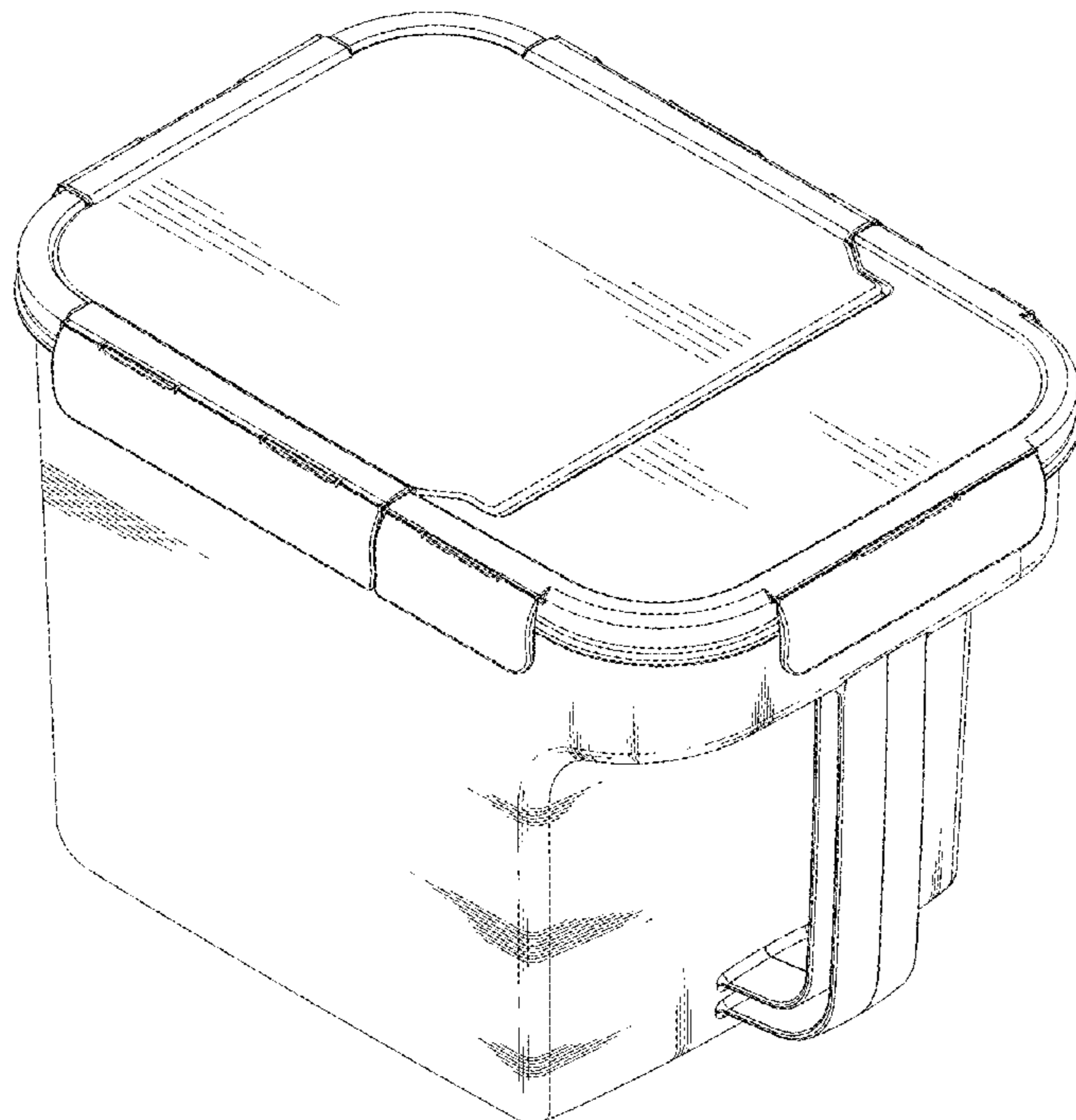


FIG. 1

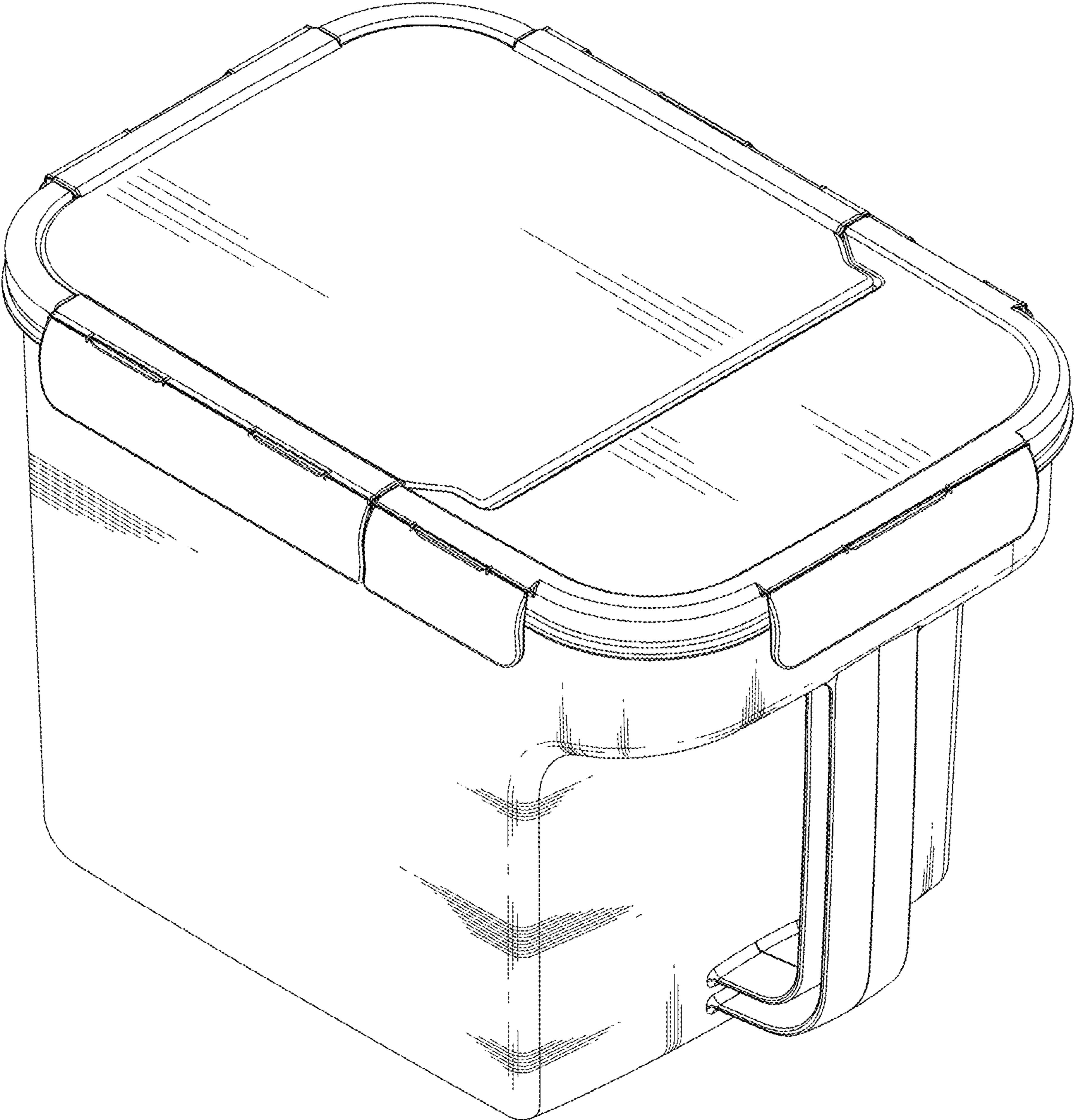


FIG. 2

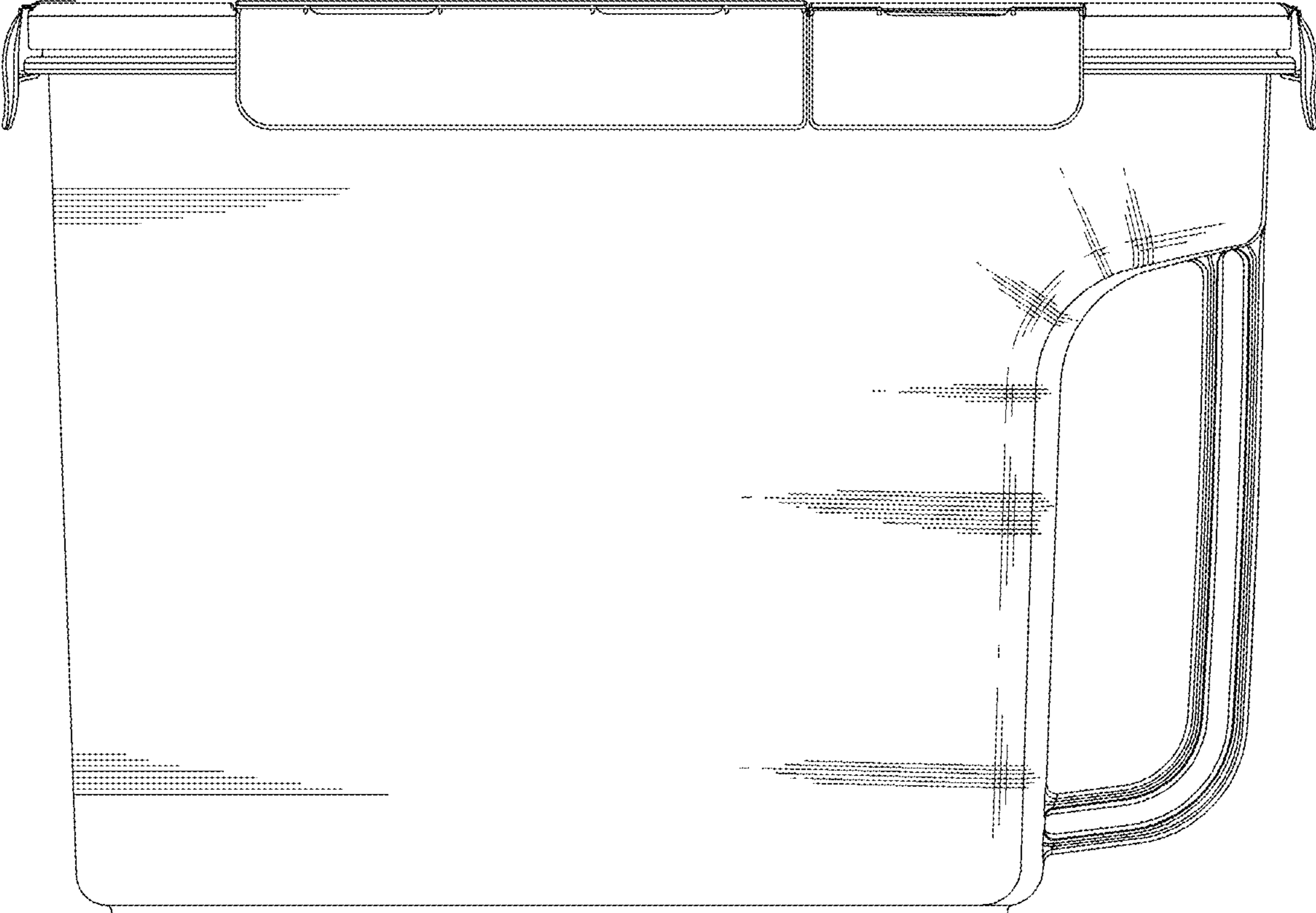


FIG. 3

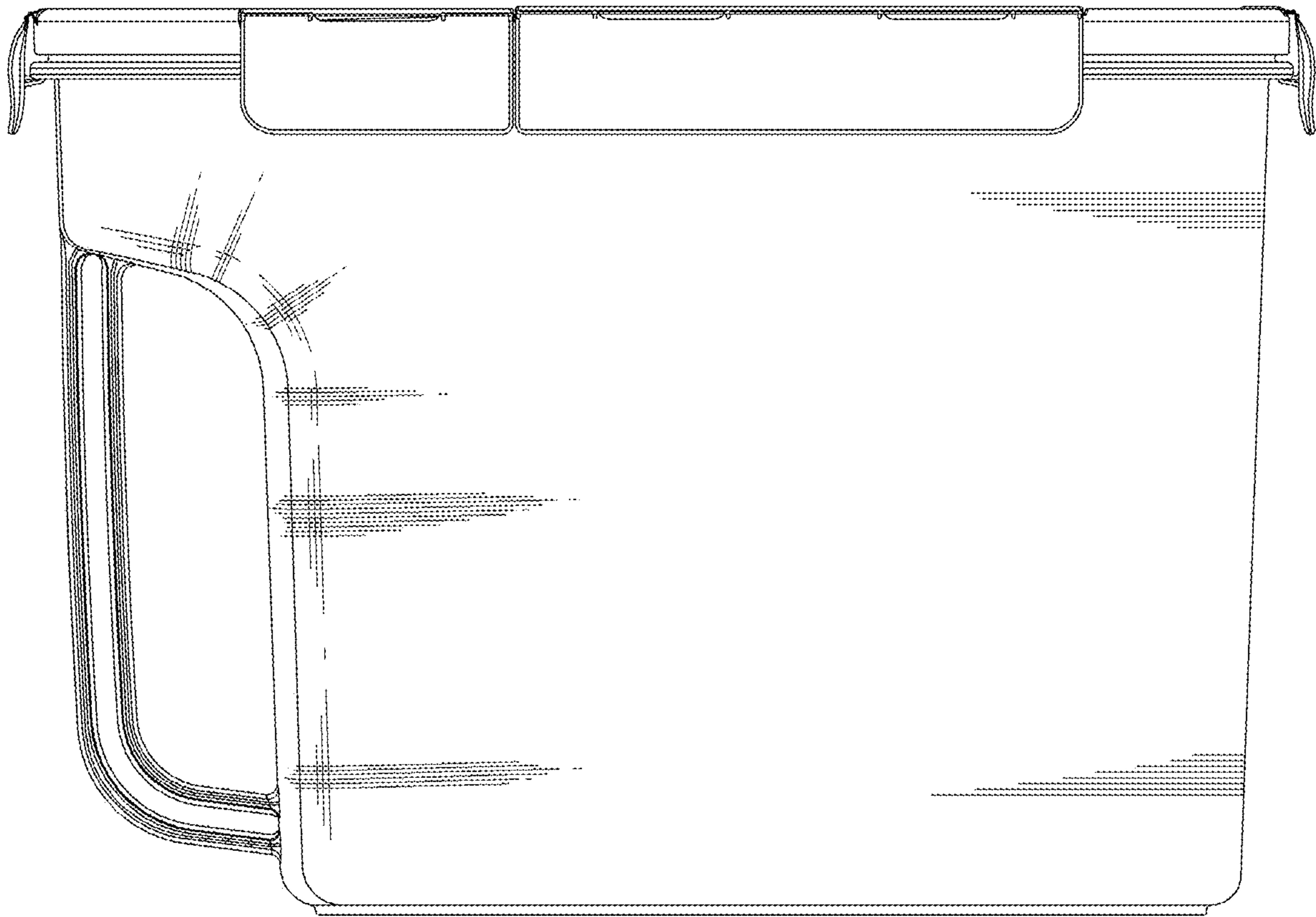


FIG. 4

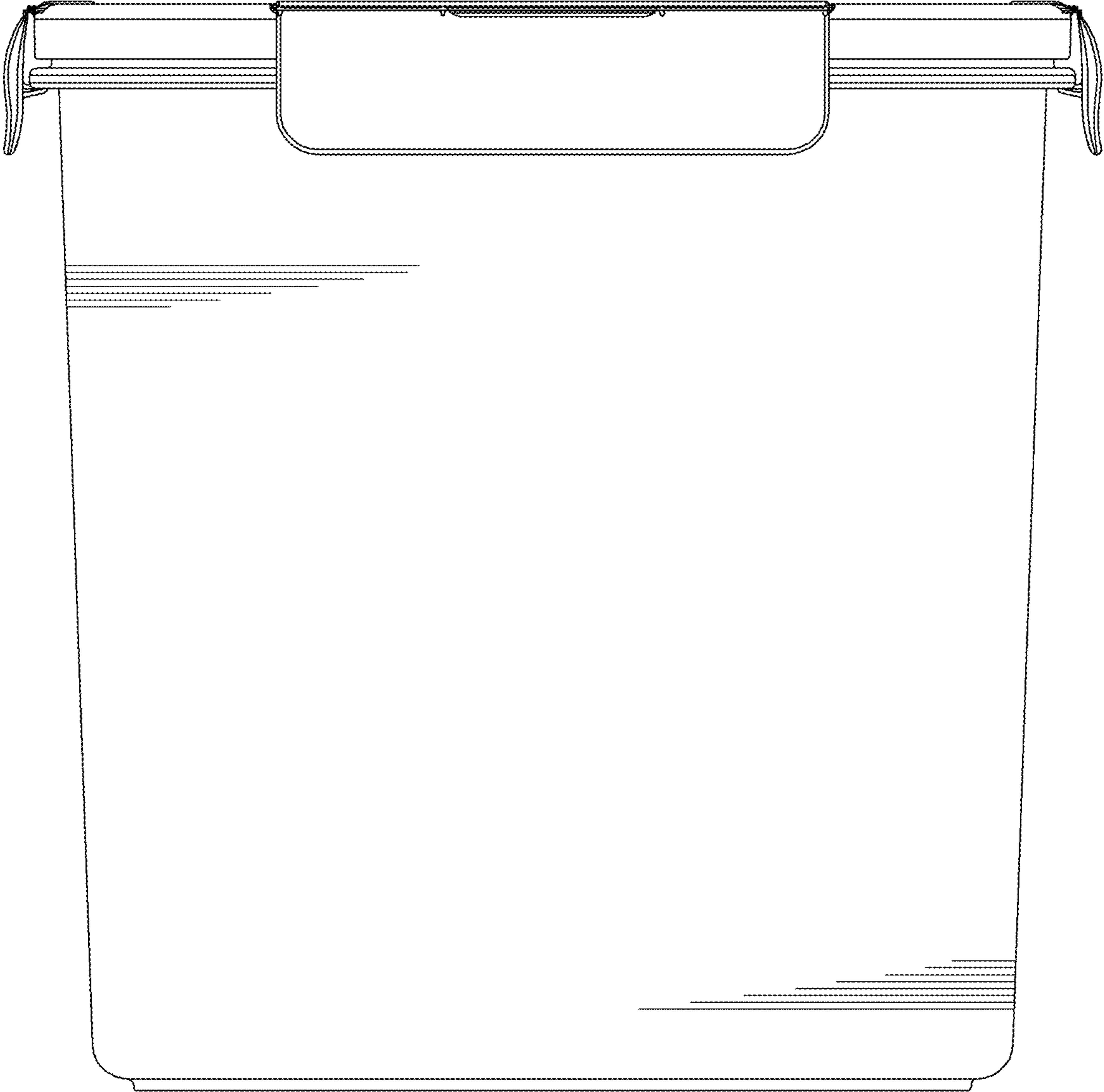


FIG. 5

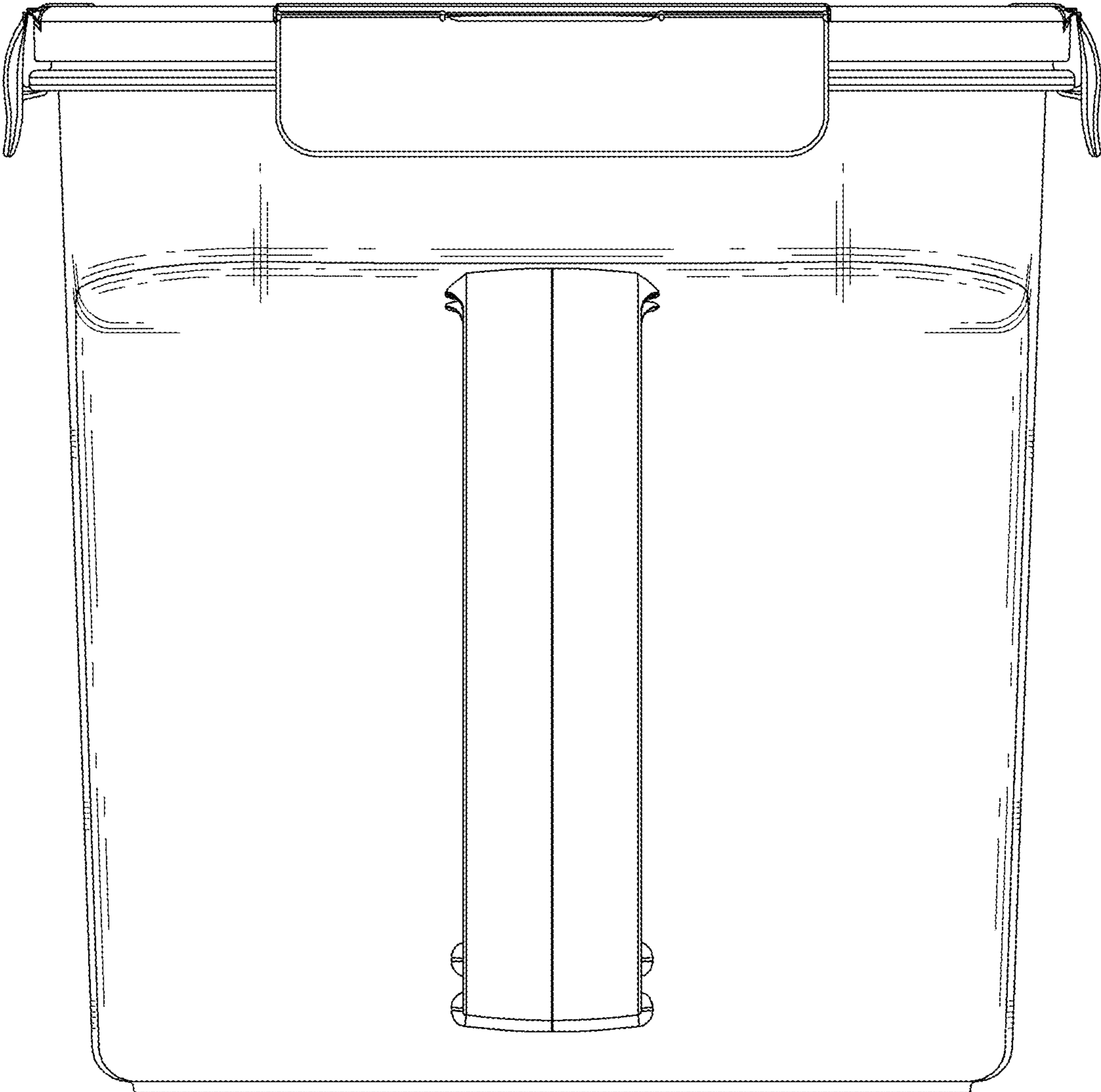


FIG. 6

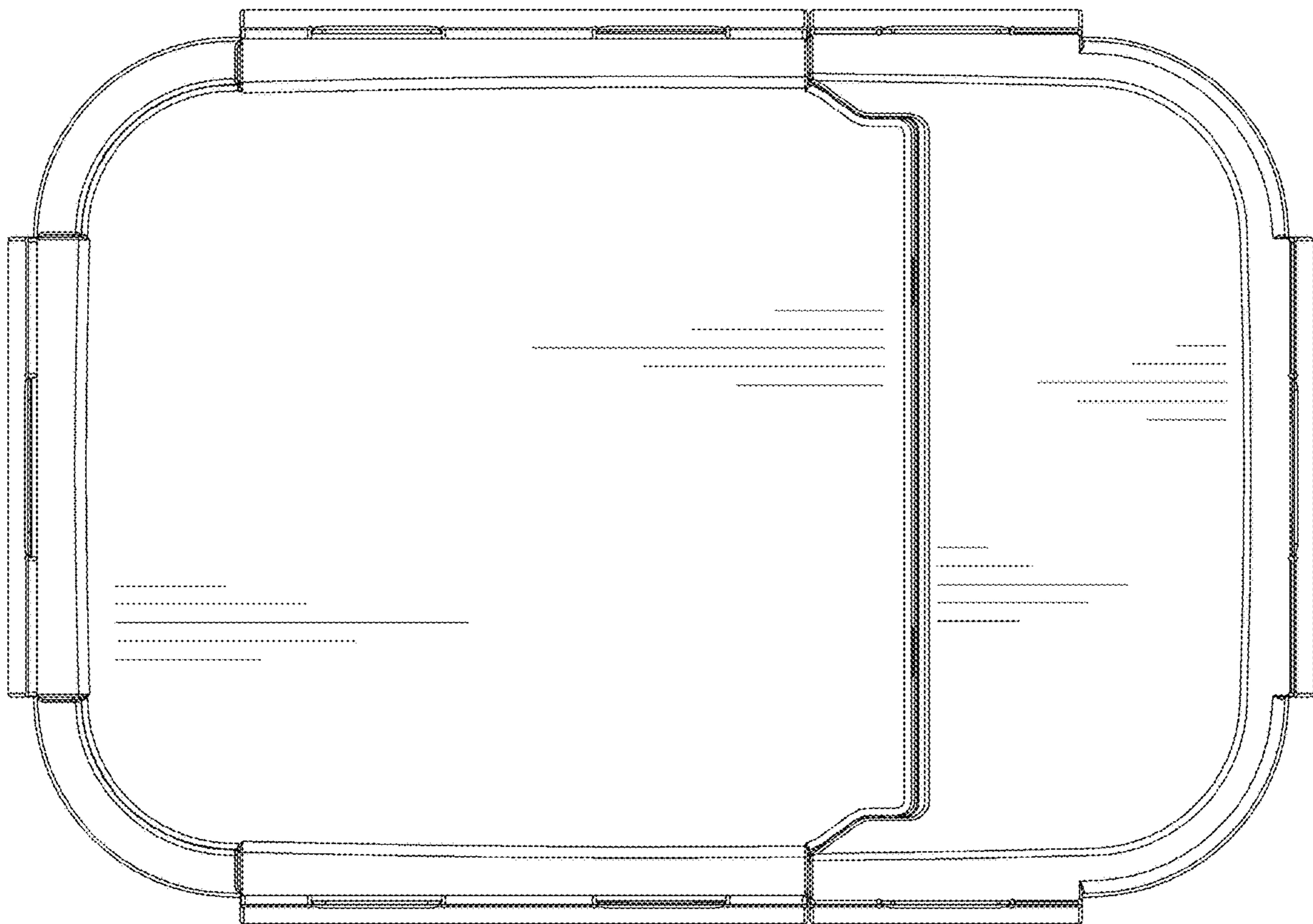


FIG. 7

