



US00D917978S

(12) **United States Design Patent** (10) **Patent No.:** **US D917,978 S**
Zhang (45) **Date of Patent:** **** May 4, 2021**

(54) **BREAD BOX**
(71) Applicant: **EASEPAL ENTERPRISES, LIMITED**, Hong Kong (CN)
(72) Inventor: **Kykyo Zhang**, Xiamen (CN)
(73) Assignee: **EASEPAL ENTERPRISES, LIMITED**, Hong Kong (CN)

D400,731 S * 11/1998 Kasuli D6/661
D493,046 S * 7/2004 McDiarmid D6/661
D659,725 S * 5/2012 Wolfe D15/85
D675,846 S * 2/2013 Monaldi D6/661
D743,452 S * 11/2015 Zubieta D15/79
D791,518 S * 7/2017 Basch D6/675
D858,148 S * 9/2019 Crutcher D6/661
2016/0029574 A1 * 2/2016 He A01G 9/249
700/276

* cited by examiner

(**) Term: **15 Years**

Primary Examiner — Michelle E. Wilson
Assistant Examiner — Andrew Kerr
(74) *Attorney, Agent, or Firm* — Bayramoglu Law Offices LLC

(21) Appl. No.: **29/713,937**

(22) Filed: **Nov. 20, 2019**

(51) **LOC (13) Cl.** **07-07**

(52) **U.S. Cl.**
USPC **D7/609**

(58) **Field of Classification Search**
USPC D7/601, 602, 609, 629; D6/657, 661, D6/663, 664, 669, 670, 672, 675, 675.4; D15/79, 81
CPC .. B65D 1/22; B65D 81/3813; B65D 2581/00; B65D 2581/3405; B65D 2581/3406
See application file for complete search history.

(57) **CLAIM**

The ornamental design for a bread box, as shown and described.

DESCRIPTION

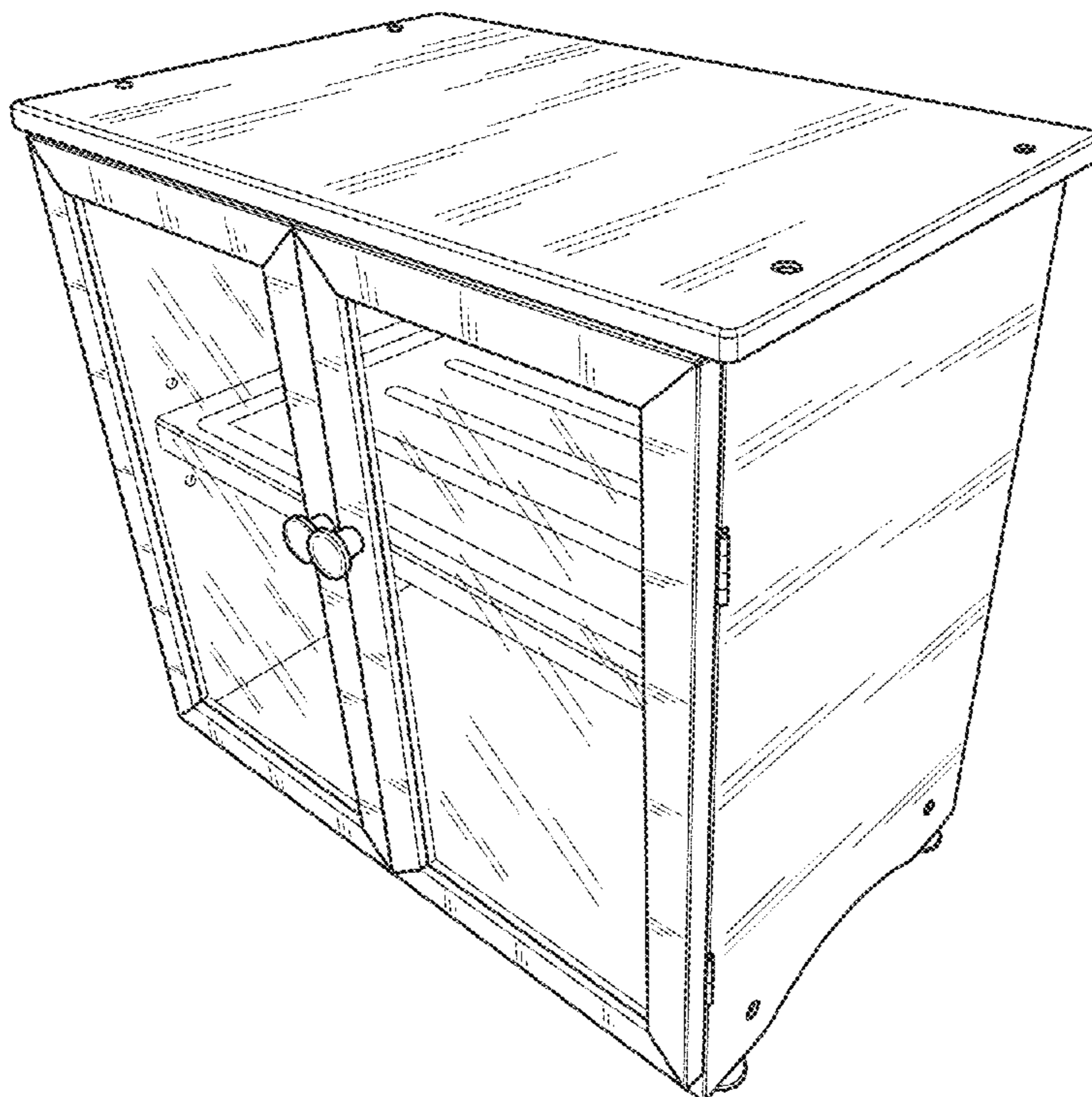
FIG. 1 is a front perspective view of a bread box showing my new design;
FIG. 2 is a front elevational view thereof;
FIG. 3 is a rear elevational view thereof;
FIG. 4 is a right side elevational view thereof, a left side elevational view being a mirror image;
FIG. 5 is a top plan view thereof;
FIG. 6 is a front perspective view thereof showing an opening state; and,
FIG. 7 is a front perspective view thereof showing the opening state with a shelf taken out.
A bottom view of the bread box is not provided as it does not contain any ornamentality.

(56) **References Cited**

U.S. PATENT DOCUMENTS

D46,248 S * 8/1914 Curtiss D6/661
D188,429 S * 7/1960 Ebstein D7/609
D273,298 S * 4/1984 Trulaske D15/81
D291,644 S * 9/1987 Osborn D6/670
D369,523 S * 5/1996 Olson D6/522
D371,016 S * 6/1996 Walters, III D6/661

1 Claim, 7 Drawing Sheets



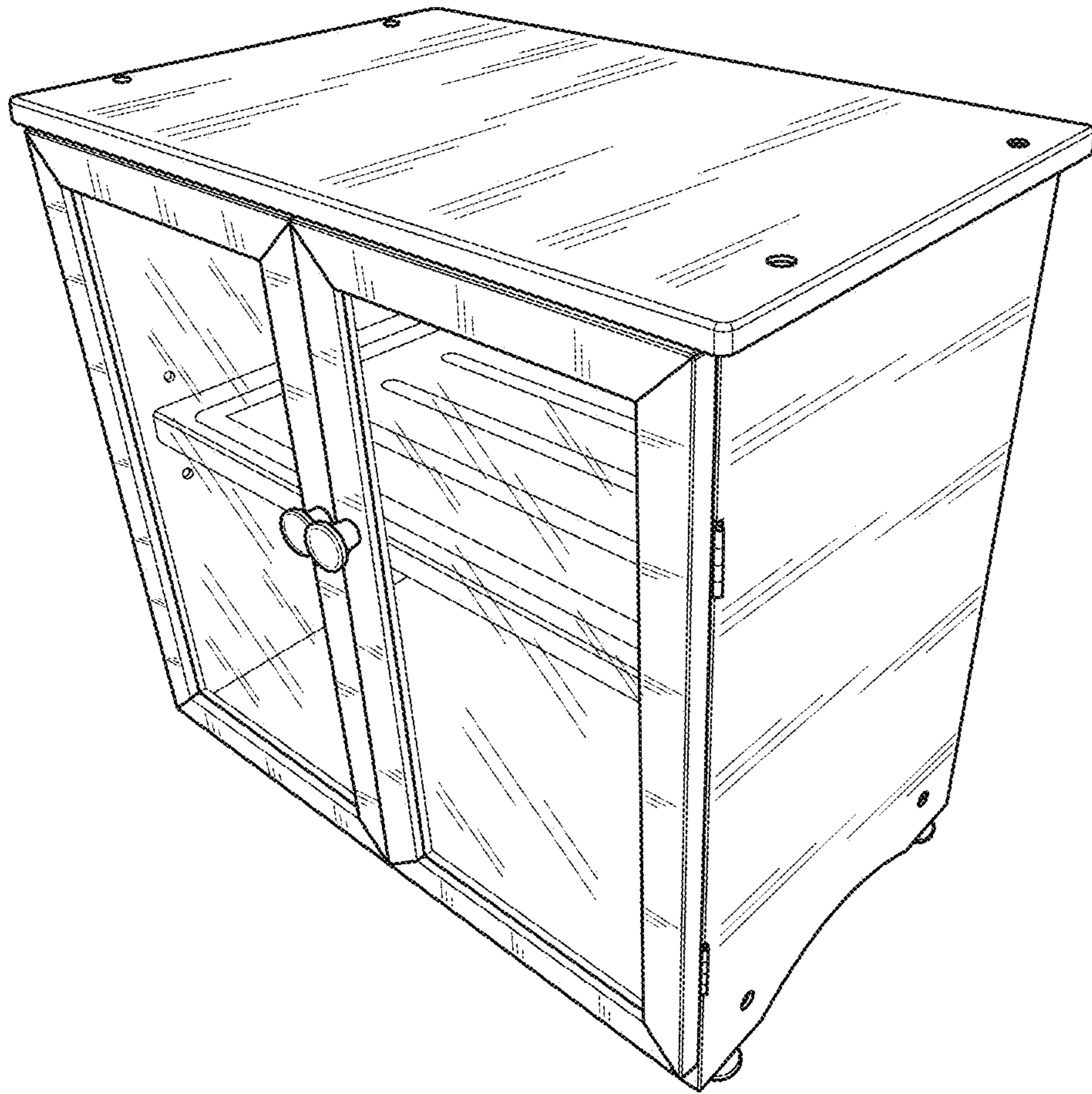


Fig. 1

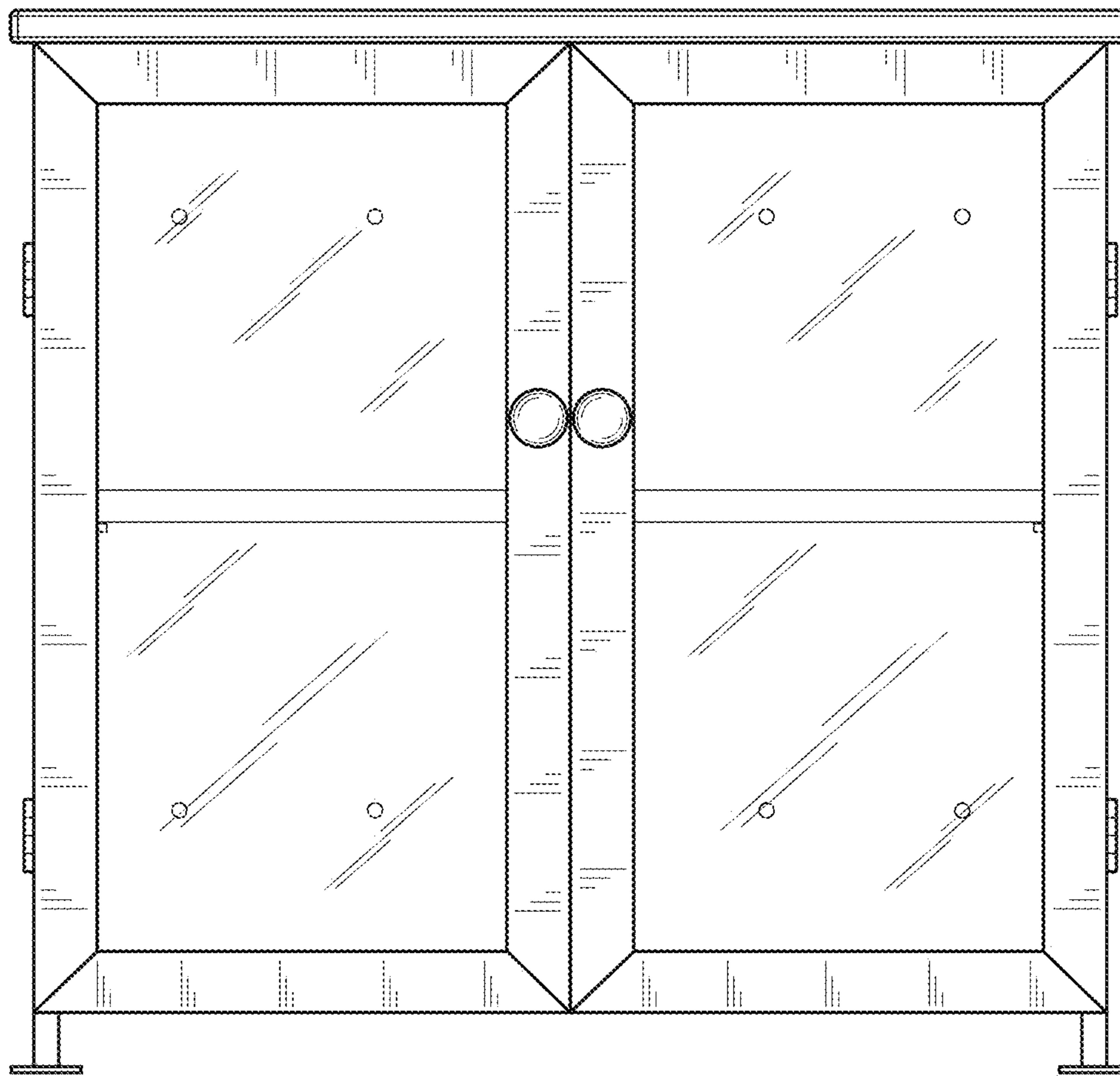


Fig. 2

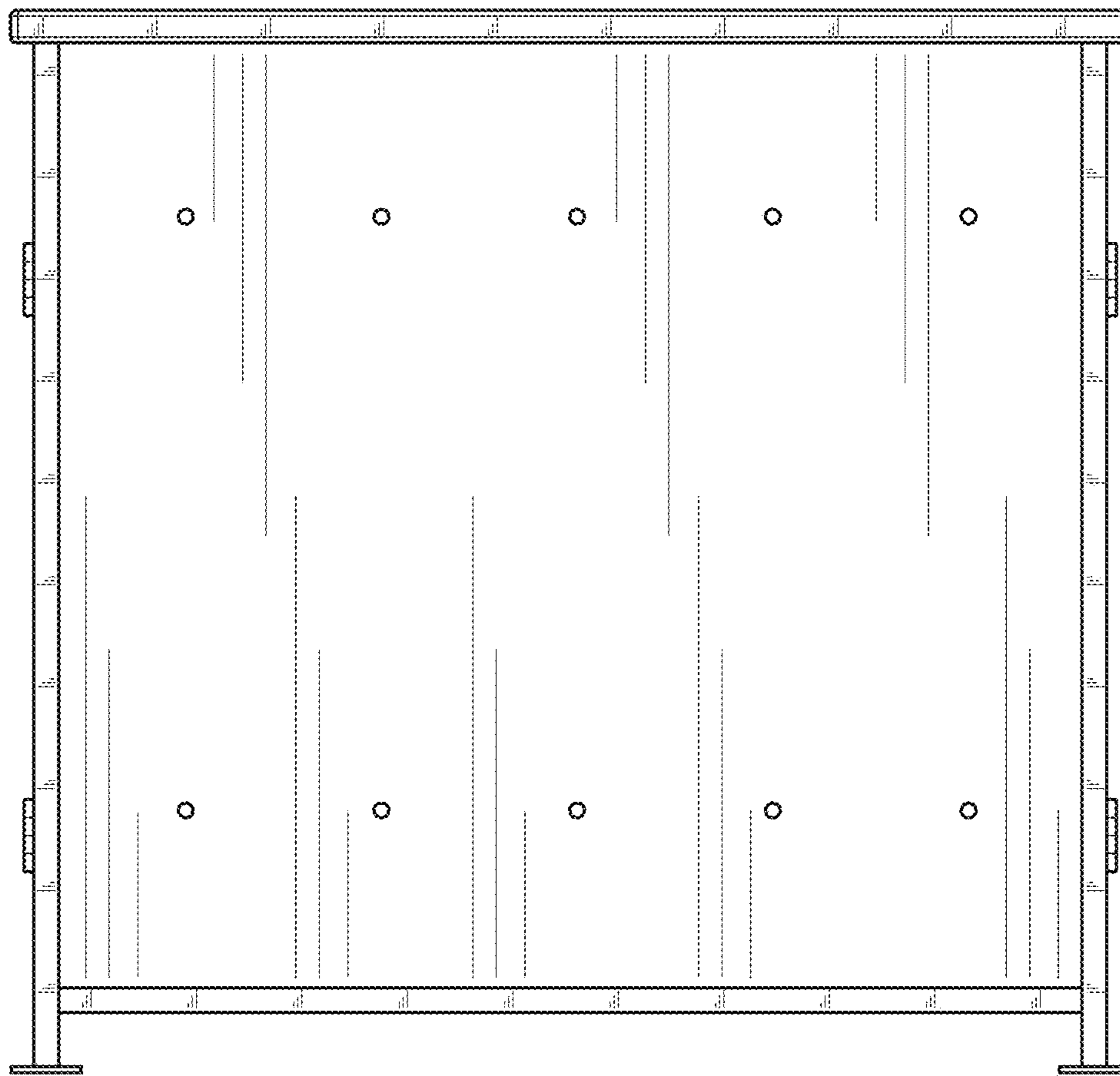


Fig. 3

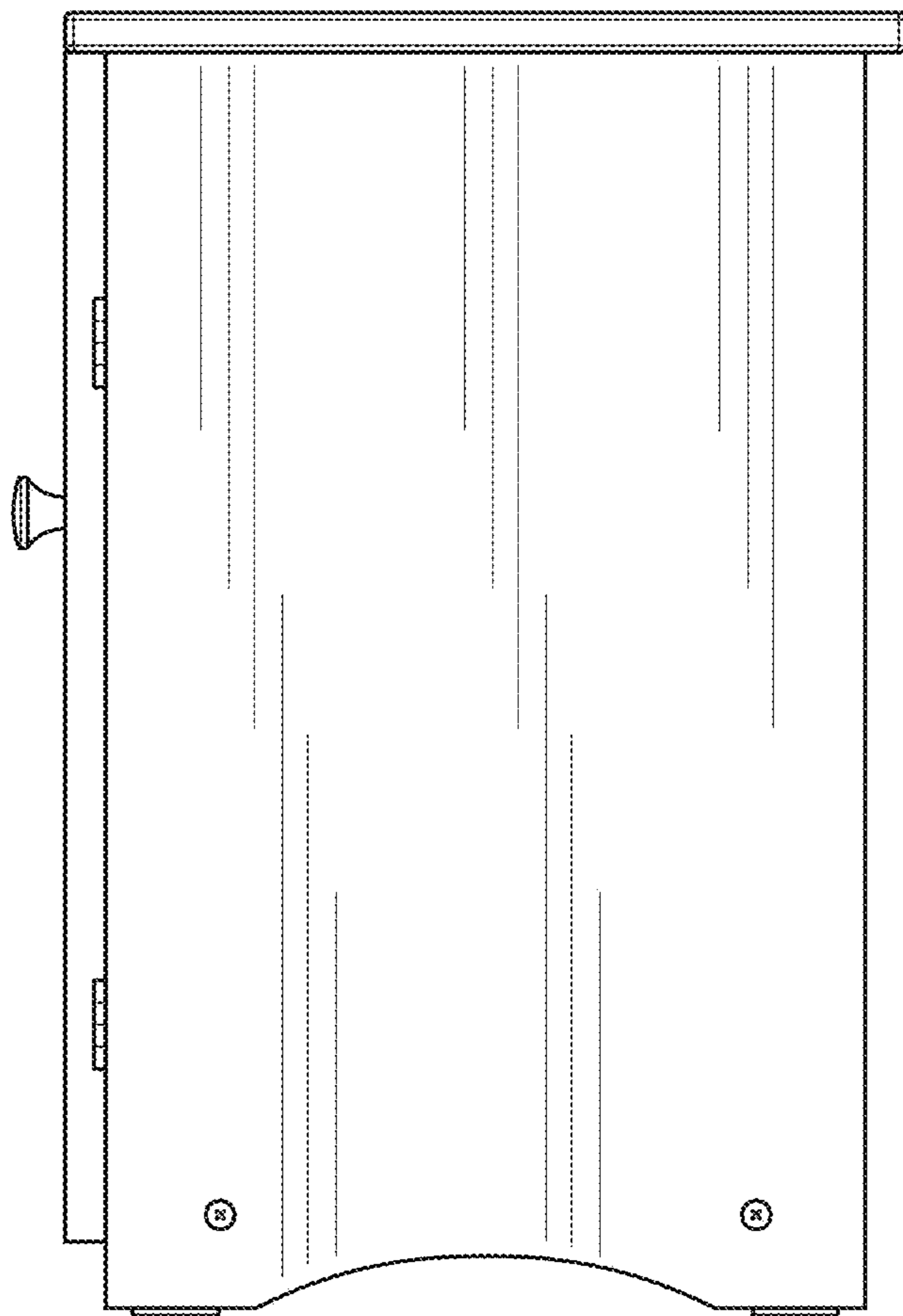


Fig. 4

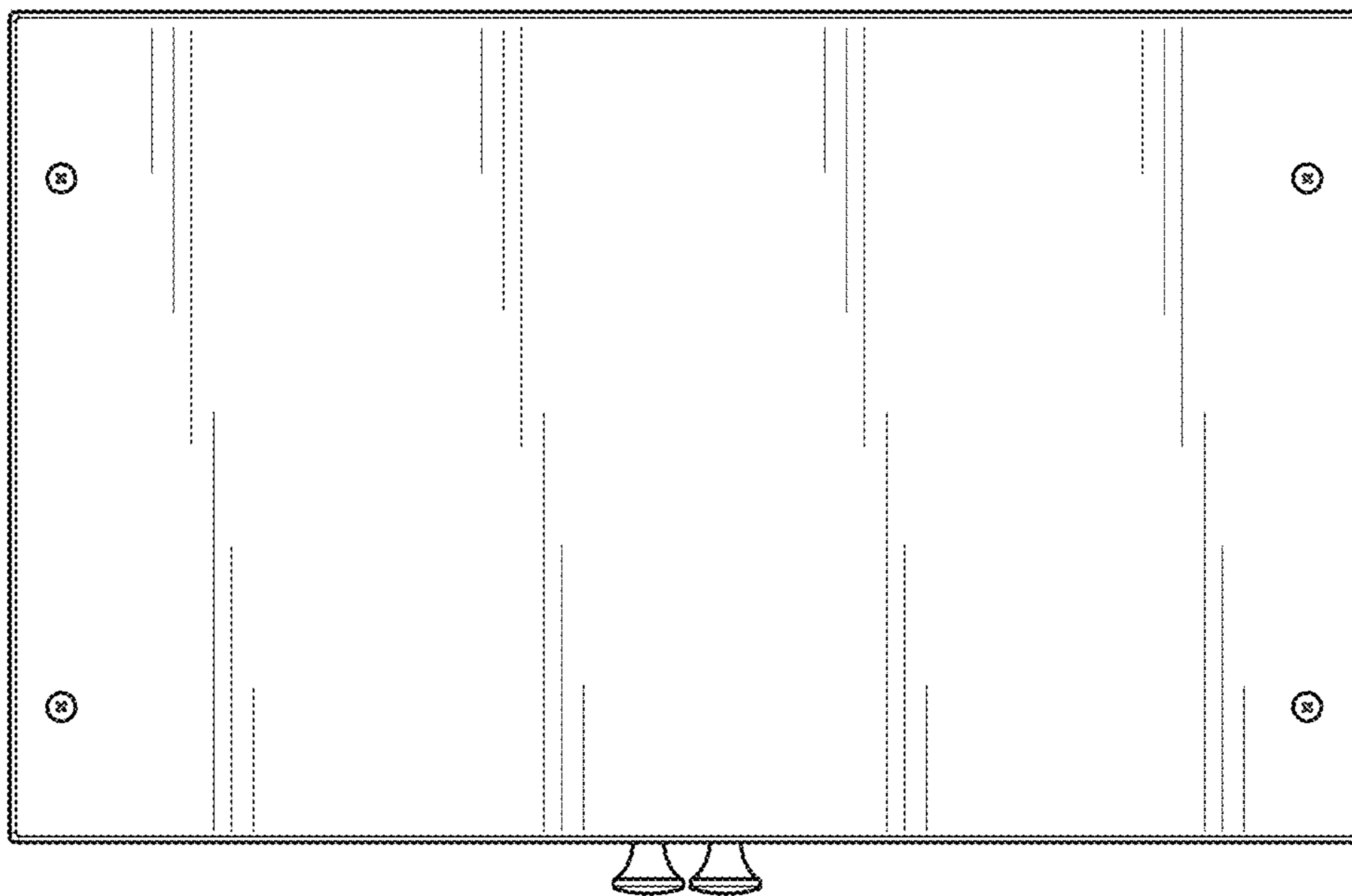


Fig. 5

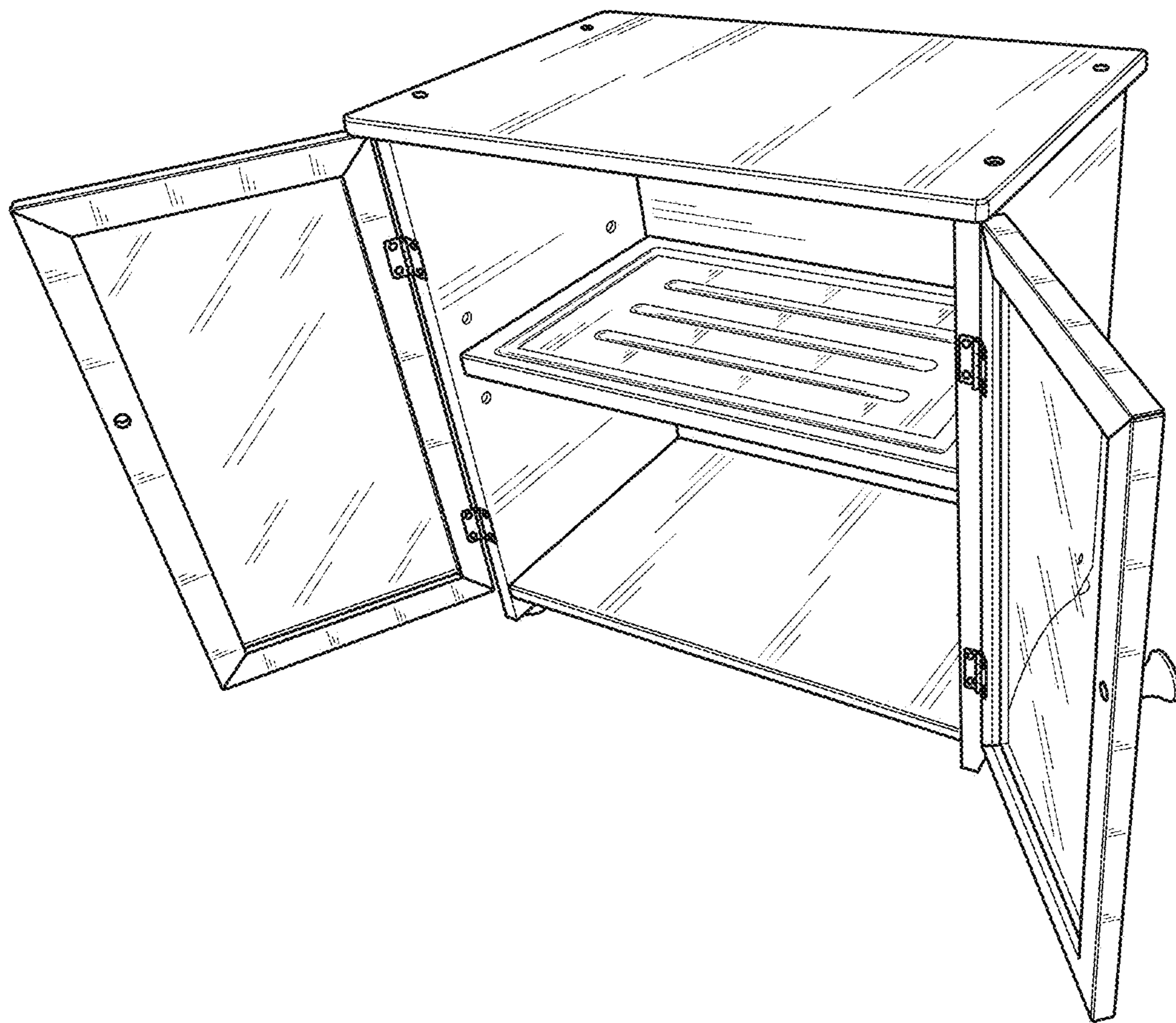


Fig. 6

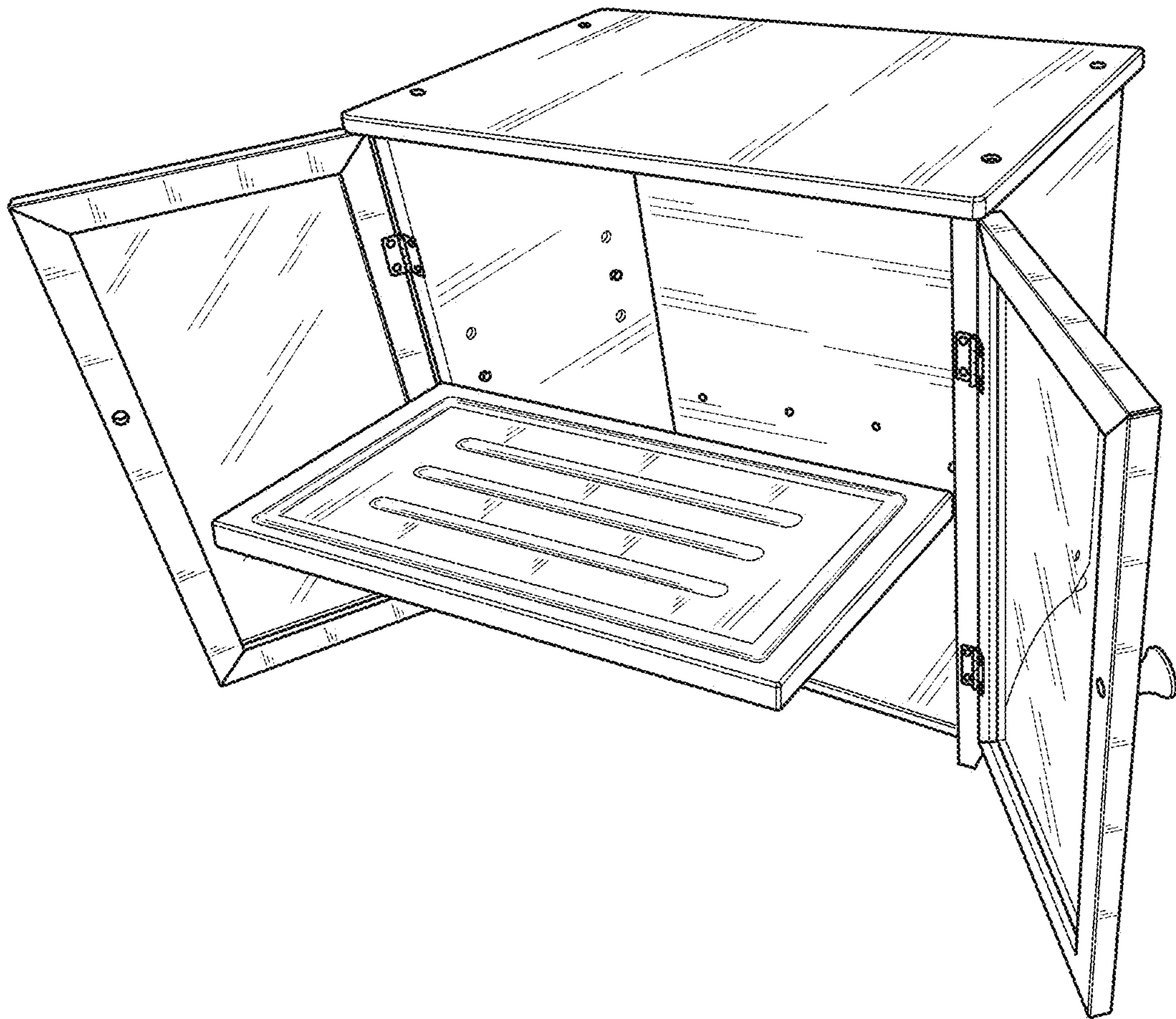


Fig. 7