



US00D917977S

(12) **United States Design Patent**
Brunner et al.

(10) **Patent No.:** **US D917,977 S**

(45) **Date of Patent:** **** May 4, 2021**

(54) **COOLER**

FOREIGN PATENT DOCUMENTS

(71) Applicants: **KETER PLASTIC LTD.**, Herzliya (IL); **MILWAUKEE ELECTRIC TOOL CORPORATION**, Brookfield, WI (US)

CN 2608238 Y 3/2004
CN 200947356 Y 9/2007

(Continued)

(72) Inventors: **Yaron Brunner**, Gvat (IL); **Izhar Shany**, Kibutz Gvat (IL); **Uri Parizer**, Kibbutz Hukok (IL); **Ayala Vardi Bougay**, Kefar Veradim (IL)

OTHER PUBLICATIONS

Home Depot website, PACKOUT 16 Qt. Compact Cooler, earliest comment date Jul. 7, 2020, [site visited Sep. 27, 2020], Available on the Internet URL <https://www.homedepot.com/p/Milwaukee-PACKOUT-16-Qt-Compact-Cooler-48/22/8460/312912520> (Year: 2020).*

(Continued)

(73) Assignee: **Keter Plastic Ltd.**, Herzliya (IL)

(**) Term: **15 Years**

Primary Examiner — Karen S Acker

Assistant Examiner — Steven B Reinholdt, Jr.

(21) Appl. No.: **29/693,141**

(74) *Attorney, Agent, or Firm* — Vorys, Sater, Seymour and Pease LLP; William L. Klima

(22) Filed: **May 31, 2019**

(51) **LOC (13) Cl.** **07-07**

(52) **U.S. Cl.**
USPC **D7/605**

(58) **Field of Classification Search**
USPC D7/601, 602, 603, 605, 607, 624.2, 703
CPC B65D 77/44
See application file for complete search history.

(57) **CLAIM**

The ornamental design for a cooler, as shown and described.

(56) **References Cited**

U.S. PATENT DOCUMENTS

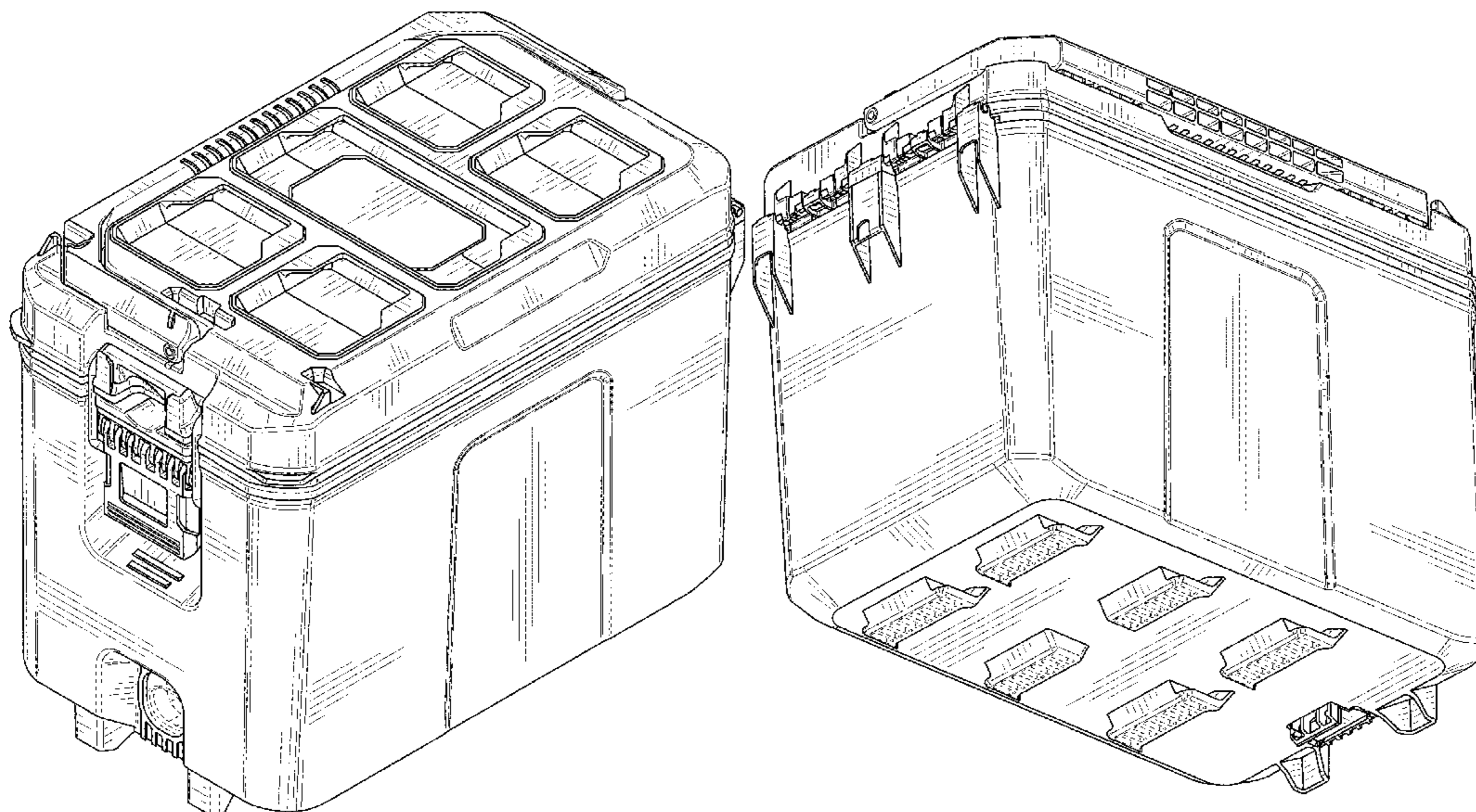
2,042,387 A	5/1936	Cobb	
2,430,200 A	11/1947	Wilson	
2,970,358 A	2/1961	Elsner	
3,117,692 A	1/1964	Carpenter et al.	
3,506,321 A	4/1970	Hampel	
D232,798 S *	9/1974	Roche	D7/605
3,974,898 A	8/1976	Tullis et al.	
4,168,076 A	9/1979	Johnson	
5,035,445 A	7/1991	Poulin	
D319,016 S *	8/1991	Kahl	D7/605
D325,324 S *	4/1992	Kahl	D7/605
5,105,947 A	4/1992	Wise	

(Continued)

DESCRIPTION

FIG. 1 is a top and front isometric view of a new design for a cooler;
FIG. 2 is a bottom and rear isometric view thereof;
FIG. 3 is a front elevational view thereof;
FIG. 4 is a rear elevational view thereof;
FIG. 5 is a right side elevational view thereof;
FIG. 6 is a left side elevational view thereof;
FIG. 7 is a top plan view thereof; and,
FIG. 8 is a bottom plan view thereof.
The broken lines and the areas within them shown in the drawings depict portions of the cooler that form no part of the claimed design.
The dot-dash broken lines in FIG. 6 depict the boundaries of the claim that form no part thereof.

1 Claim, 8 Drawing Sheets



(56)

References Cited

U.S. PATENT DOCUMENTS

D326,815	S *	6/1992	Meisner	D7/605	9,506,489	B2	11/2016	Ko	
5,240,264	A	8/1993	Williams		9,511,491	B2	12/2016	Brunner	
D340,167	S *	10/1993	Kahl	D7/605	9,566,990	B2	2/2017	Bar-Erez et al.	
5,301,829	A	4/1994	Chrisco		D784,089	S *	4/2017	Furneaux	D7/605
D352,208	S *	11/1994	Brookshire	D7/605	9,616,562	B2	4/2017	Hoppe et al.	
5,429,260	A	7/1995	Vollers		9,643,629	B2	5/2017	Bar-Erez et al.	
D361,511	S *	8/1995	Dickinson	D7/605	D790,221	S	6/2017	Yahav et al.	
5,595,228	A	1/1997	Meisner et al.		9,701,443	B2	7/2017	Wang	
5,608,603	A	3/1997	Su		D803,631	S *	11/2017	Min	D7/605
5,628,443	A	5/1997	Deutsch		D806,483	S *	1/2018	Stanford	D7/605
D395,533	S	6/1998	Morison et al.		9,872,562	B2	1/2018	Brunner	
5,797,617	A	8/1998	Lin		D814,187	S	4/2018	Caglar	
5,951,037	A	9/1999	Hsieh et al.		D816,334	S	5/2018	Brunner	
D415,393	S *	10/1999	Kei	D7/605	D826,510	S	8/2018	Brunner	
5,988,473	A	11/1999	Hagan et al.		D828,671	S	9/2018	Cope et al.	
D420,860	S *	2/2000	Golichowski	D7/605	D831,352	S *	10/2018	Brunner	D3/281
6,050,660	A	4/2000	Gurley		D833,744	S	11/2018	Yahav et al.	
6,085,925	A	7/2000	Chung		D836,995	S *	1/2019	Carey	D7/605
6,109,627	A	8/2000	Be		D837,515	S	1/2019	Shpitzer	
6,176,559	B1	1/2001	Tiramani et al.		D839,681	S *	2/2019	Evron	D7/605
D437,669	S	2/2001	Blason et al.		D845,080	S *	4/2019	Jacobsen	D7/605
6,347,847	B1	3/2002	Tiramani et al.		D845,081	S *	4/2019	Jacobsen	D7/605
6,367,631	B1	4/2002	Steigerwald		10,434,638	B1	10/2019	Tsai	
6,371,320	B2	4/2002	Sagol		D871,013	S	12/2019	Liu	
D456,972	S	5/2002	Blason et al.		D873,085	S *	1/2020	DeFrancia	D7/605
6,431,580	B1	8/2002	Kady		D880,252	S *	4/2020	Jacobsen	D7/605
6,547,347	B2	4/2003	Saito et al.		D880,951	S *	4/2020	Jacobsen	D7/605
6,601,930	B2	8/2003	Tiramani et al.		D883,752	S *	5/2020	Carey	D7/605
6,619,772	B2	9/2003	Dierbeck		D887,788	S *	6/2020	Meda	D7/605
6,637,707	B1	10/2003	Gates et al.		D888,503	S *	6/2020	Meda	D7/605
6,641,013	B2	11/2003	Dise		D891,193	S *	7/2020	Stanford	D7/605
6,945,546	B2	9/2005	Guirlinger		D891,195	S *	7/2020	Zhou	D7/605
6,948,691	B2	9/2005	Brock et al.		D891,875	S *	8/2020	Olson	D7/605
6,983,946	B2	1/2006	Sullivan et al.		D892,565	S *	8/2020	Astle	D7/605
7,044,484	B2	5/2006	Wang		D895,375	S *	9/2020	Hurley, Jr.	D7/605
7,066,475	B2	6/2006	Barnes		D895,966	S *	9/2020	Brunner	D3/294
D525,789	S	8/2006	Hosking		D896,517	S *	9/2020	Brunner	D3/294
D527,225	S *	8/2006	Krieger	D7/605	2002/0000440	A1	1/2002	Sagol	
7,147,243	B2	12/2006	Kady		2002/0171228	A1	11/2002	Kady	
D536,580	S *	2/2007	Krieger	D7/605	2003/0115715	A1	6/2003	Valentini	
7,263,742	B2	9/2007	Valentini		2003/0146589	A1	8/2003	Jarko et al.	
7,367,571	B1	5/2008	Nichols		2003/0184034	A1	10/2003	Pfeiffer	
7,503,569	B2	3/2009	Duvigneau		2003/0205877	A1	11/2003	Verna et al.	
7,658,887	B2	2/2010	Hovatter		2004/0103494	A1	6/2004	Valentini	
7,779,764	B2	8/2010	Naidu et al.		2004/0195793	A1	10/2004	Sullivan et al.	
7,780,026	B1	8/2010	Zuckerman		2004/0206656	A1	10/2004	Dubois et al.	
7,841,144	B2	11/2010	Pervan		2005/0062244	A1	3/2005	Guirlinger	
D630,851	S	1/2011	Landau et al.		2005/0104308	A1	5/2005	Barnes	
8,028,845	B2	10/2011	Rimes		2005/0139745	A1	6/2005	Liao et al.	
D653,832	S	2/2012	Vilkomirski et al.		2006/0006770	A1	1/2006	Valentini	
8,132,819	B2	3/2012	Landau et al.		2006/0027475	A1	2/2006	Gleason et al.	
8,177,463	B2	5/2012	Walker		2006/0038367	A9	2/2006	Ferraro et al.	
D661,858	S	6/2012	Lifshitz et al.		2006/0119060	A1	6/2006	Sullivan et al.	
8,191,910	B2	6/2012	Landau et al.		2006/0186624	A1	8/2006	Kady	
D663,952	S	7/2012	Crevling, Jr. et al.		2006/0254946	A1	11/2006	Becklin	
D664,354	S	7/2012	Crevling, Jr. et al.		2007/0068757	A1	3/2007	Tan	
D674,605	S	1/2013	Vilkomirski et al.		2007/0090616	A1	4/2007	Tompkins	
8,454,033	B2	6/2013	Tsai		2007/0145700	A1	6/2007	Ambrose et al.	
8,459,495	B2	6/2013	Koenig et al.		2007/0194543	A1	8/2007	Duvigneau	
8,505,729	B2	8/2013	Sosnovsky et al.		2008/0104921	A1	5/2008	Pervan et al.	
8,567,796	B2	10/2013	Bar-Erez et al.		2008/0115312	A1	5/2008	DiPasquale et al.	
8,677,661	B2	3/2014	Michels et al.		2008/0121547	A1	5/2008	Dur	
D701,696	S	4/2014	Shitrit et al.		2008/0134607	A1	6/2008	Pervan et al.	
8,689,396	B2	4/2014	Wolfe et al.		2008/0169739	A1	7/2008	Goldenberg	
8,714,355	B2	5/2014	Huang		2008/0271280	A1	11/2008	Tiede et al.	
8,813,960	B2	8/2014	Fjelland		2008/0277221	A1	11/2008	Josefson et al.	
8,875,888	B2	11/2014	Koenig et al.		2008/0308369	A1	12/2008	Louis	
8,979,100	B2	3/2015	Bensman et al.		2009/0026901	A1	1/2009	Nies, III et al.	
8,985,922	B2	3/2015	Neumann		2009/0071990	A1	3/2009	Jardine et al.	
D738,106	S	9/2015	Shitrit		2009/0145790	A1	6/2009	Panosian et al.	
9,132,543	B2	9/2015	Bar-Erez et al.		2009/0145866	A1	6/2009	Panosian et al.	
D753,394	S	4/2016	Brunner		2009/0145913	A1	6/2009	Panosian et al.	
D753,395	S	4/2016	Brunner		2009/0178946	A1	7/2009	Patstone et al.	
D765,974	S	9/2016	Tonelli et al.		2010/0052276	A1	3/2010	Brunner	
D770,179	S	11/2016	Menirom		2010/0139566	A1	6/2010	Lopuszanski	
					2010/0147642	A1	6/2010	Andochick	
					2010/0219193	A1	9/2010	Becklin	
					2011/0073516	A1	3/2011	Zelinskiy	
					2011/0139665	A1	6/2011	Madsen	

(56)

References Cited

U.S. PATENT DOCUMENTS

2011/0155613	A1	6/2011	Koenig et al.	
2011/0181008	A1	7/2011	Bensman et al.	
2011/0220531	A1	9/2011	Meether et al.	
2012/0160886	A1	6/2012	Henny et al.	
2012/0180250	A1	7/2012	Ricklefsen et al.	
2012/0207571	A1	8/2012	Scott	
2012/0292213	A1*	11/2012	Brunner	B25H 3/028 206/349
2012/0326406	A1	12/2012	Lifshitz et al.	
2013/0024468	A1	1/2013	Kocsis	
2013/0031731	A1	2/2013	Hess	
2013/0031732	A1	2/2013	Hess et al.	
2013/0121783	A1	5/2013	Kelly	
2013/0127129	A1	5/2013	Bensman et al.	
2013/0154218	A1	6/2013	Tiilikainen	
2013/0223971	A1	8/2013	Grace, IV	
2014/0076759	A1	3/2014	Roehm et al.	
2014/0161518	A1	6/2014	Ko	
2014/0166516	A1	6/2014	Martinez et al.	
2015/0274362	A1	10/2015	Christopher et al.	
2015/0376917	A1	12/2015	Brunner	
2016/0023349	A1	1/2016	Hoppe et al.	
2016/0130034	A1	5/2016	Kuhls et al.	
2016/0144500	A1	5/2016	Chen	
2016/0168880	A1	6/2016	Phelan	
2017/0121056	A1	5/2017	Wang	
2017/0138382	A1	5/2017	Ko	
2017/0165828	A1	6/2017	Fleischmann	
2017/0166352	A1	6/2017	Hoppe et al.	
2017/0174392	A1	6/2017	De Loynes	
2017/0217464	A1	8/2017	Bar-Erez et al.	
2017/0239808	A1	8/2017	Hoppe et al.	
2017/0257958	A1	9/2017	Sabbag et al.	
2017/0266804	A1	9/2017	Kinsky	
2017/0318927	A1	11/2017	Kraus et al.	
2017/0349013	A1	12/2017	Gronholm	
2018/0044059	A1	2/2018	Brunner	
2018/0161975	A1	6/2018	Brunner	
2018/0220758	A1	8/2018	Burchia	
2018/0290288	A1	10/2018	Brunner	
2019/0002004	A1	1/2019	Brunner	
2019/0031222	A1	1/2019	Takyar et al.	
2019/0039781	A1	2/2019	Kogel et al.	
2019/0106244	A1	4/2019	Brunner	
2019/0225371	A1	7/2019	Hoppe et al.	
2020/0055534	A1	2/2020	Hassell	
2020/0243925	A1*	7/2020	Polakowski	H01M 10/6571
2020/0299027	A1*	9/2020	Brunner	B62B 1/14

FOREIGN PATENT DOCUMENTS

CN	101068661	A	11/2007
CN	102248523	A	11/2011
CN	102469899	A	5/2012
CN	102834035	A	12/2012
CN	302371147	S	3/2013
CN	103118578	A	5/2013
CN	103659777	A	3/2014
CN	204161752	U	2/2015
DE	3510307	A1	9/1986
DE	9313802	U1	1/1994
DE	4415638	A1	11/1995
DE	29708343	U1	8/1997
DE	19750543	A1	5/1999
DE	20218996	U1	3/2003
DE	102004057870	A1	6/2006
DE	202011002617	U1	6/2011
DE	102010003754	A1	10/2011
DE	102010003756	A1	10/2011
DE	102012106482	A1	1/2014
DE	102012220837	A1	5/2014
DE	202014103695	U1	10/2014
DE	202015005752	U1	12/2016
DE	102015112204	A1	2/2017

DE	102015013053	A1	4/2017
DE	202015105053	A1	4/2017
DE	402018201520		5/2018
EM	000705231-0001		4/2007
EM	2419283-001		3/2014
EP	0916302	A2	5/1999
EP	1321247	A2	6/2003
EP	1428764	B1	6/2006
EP	1819487		6/2006
EP	2456341		1/2011
EP	2289671	A2	3/2011
EP	2346741	A1	7/2011
EP	2555660		10/2011
EP	2555661		10/2011
EP	2805799	A2	11/2014
EP	3141354	B1	5/2019
GB	694707	A	7/1953
GB	2047181	B	2/1983
GB	2330521	A	4/1999
GB	2406331	A	3/2005
GB	2413265	B	6/2007
JP	2003194020	A	7/2003
JP	D1276744	S	7/2006
JP	D1395115	S	8/2010
JP	2013022972	A	2/2013
JP	2013022976	A	2/2013
JP	D1477050	S	8/2013
JP	D1665028	*	8/2020
KR	30-0271616	S	2/2001
KR	30-0320243	S	3/2003
KR	30-0842236	S	3/2016
KR	30-0859965	S	6/2016
KR	30-0881296	S	11/2016
KR	30-0999599	S	3/2019
TW	1324578	B	5/2010
TW	D135074	S	6/2010
TW	D168686	S	7/2015
TW	D174412	S	3/2016
WO	2005/045886	A2	5/2005
WO	2007/121745	A1	11/2007
WO	2007/121746	A2	11/2007
WO	2009/140965	A1	11/2009
WO	2011/009480	A1	1/2011
WO	2013/026084	A1	2/2013
WO	2014/125488	A2	8/2014
WO	2016/142935	A1	9/2016
WO	2017/028845	A1	2/2017
WO	2017/191628	A1	11/2017
WO	2017/212840	A1	12/2017

OTHER PUBLICATIONS

Batavia. BluCave Universal Storage System, <https://batavia.eu/blucave-storage-system/>.

The Greenhead. Blitz Box6—Portable Storage Box/Shelf, <https://www.thegreenhead.com/2013/03/blitz-box-portable-storage-box-shelf.php>.

Dewalt 171229 Dewalt TSTAK Cartier Trolley, https://www.its.co.uk/pd/171229-Dewalt-TSTAK-Carrier-Trolley-_DEW171229.htm.

Get Tools Direct. TSTAK Vac Rack (Suits DWV902M & DWV900L) DwV9500-XJ, <https://www.gettoolsdirect.com.au/dewalt-tstak-vac-rack-suits-dwv902m-and-dwv9001-dwv9500-xj.html>.

Amazon. Hopkins FloTool 91002 Thino Box with Mount, <https://www.amazon.com/exedobidos/ASIN/B003K15F31/20140000-20>.

Milwaukee Dolly, announced 2019 [only], [site visted Mar. 9, 2020]. Available from internet, URL: <https://www.zoro.com/milwaukee-tool-box-dolly-7-4164-h-18/2932-w-48/22/8410/i/G3958724/> (Year: 2019).

ToolGuyd. Ryobi ToolBlox Tool Cabinet System, <https://toolguyd.com/ryobi-toolblox-cabinets/>.

Sortimo Logistixx, Sortimo International GmbH, Mobile Sortimente, http://p125638.mittwaldserver.info/fileadmin/media/PDFs/Logistixx_Broschuere_DE_WEB.pdf.

Systainer Mounting Platform—wall and base support; ToolGuyd. Sys-Cart Base, a Systainer Mounting Platform, <https://toolguyd.com/systainer-sys-cart-mounting-base/>.

(56)

References Cited

OTHER PUBLICATIONS

Taiwanese Search Report for ROC (Taiwan) Design Patent Application No. 108305093, one page, completed Mar. 5, 2020.

Vertak. https://www.alibaba.com/product-detail/Vertak-global-patented-multi-funciton-portable_60217794260.html.

Wheel board, announced 2019 [online], [site visited [site visted Mar. 9, 2020]. Available from internet, URL: <https://www.gearooz.com/accu-case-aca-wheel-board> (Year: 2019).

Youtube. TSTAK Phase 2 Upgrades Video. <https://www.youtube.com/watch?v=jb06y6J1dr4&feature=youtu.be&t=197>.

* cited by examiner

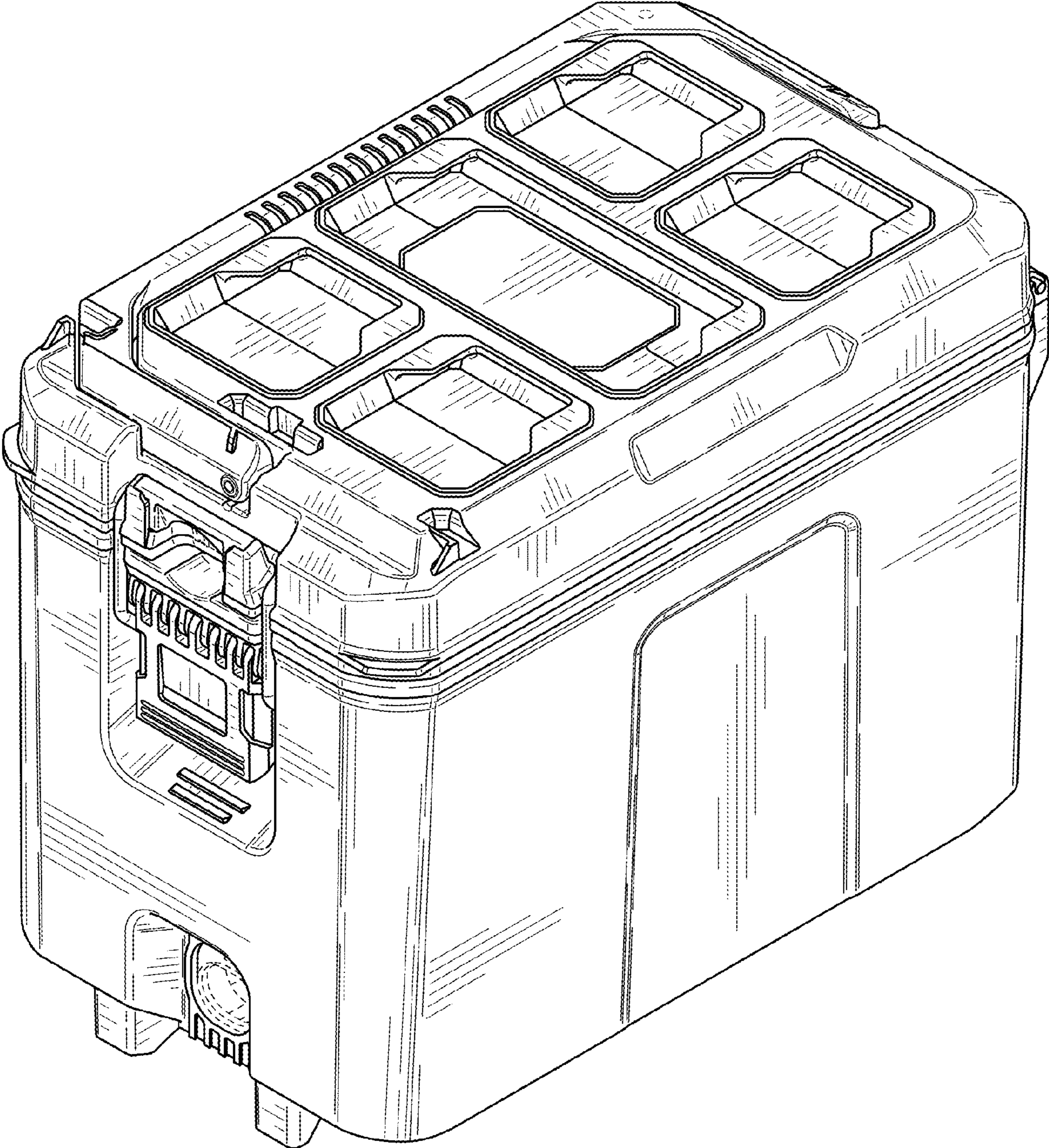


FIG. 1

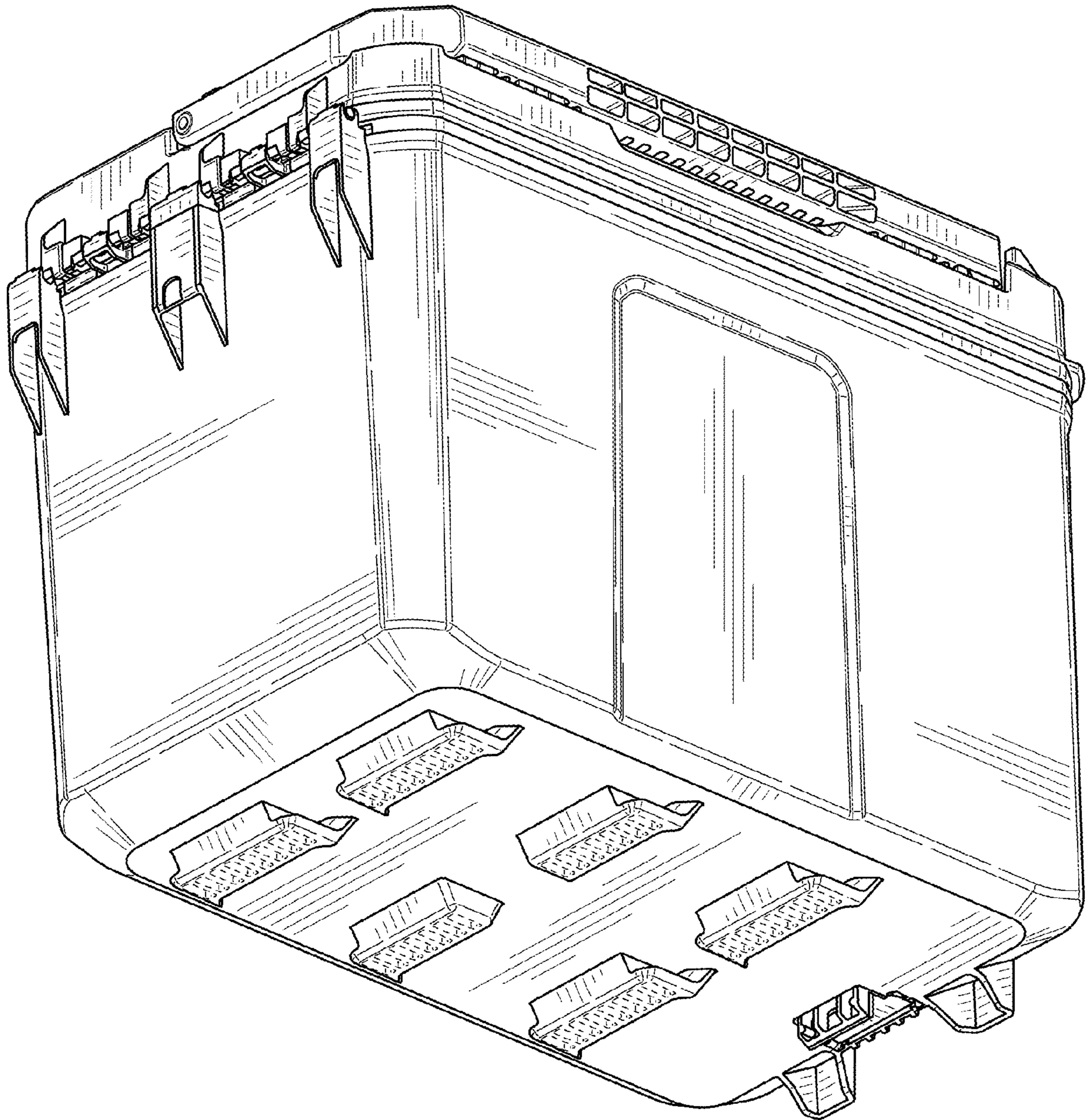


FIG. 2

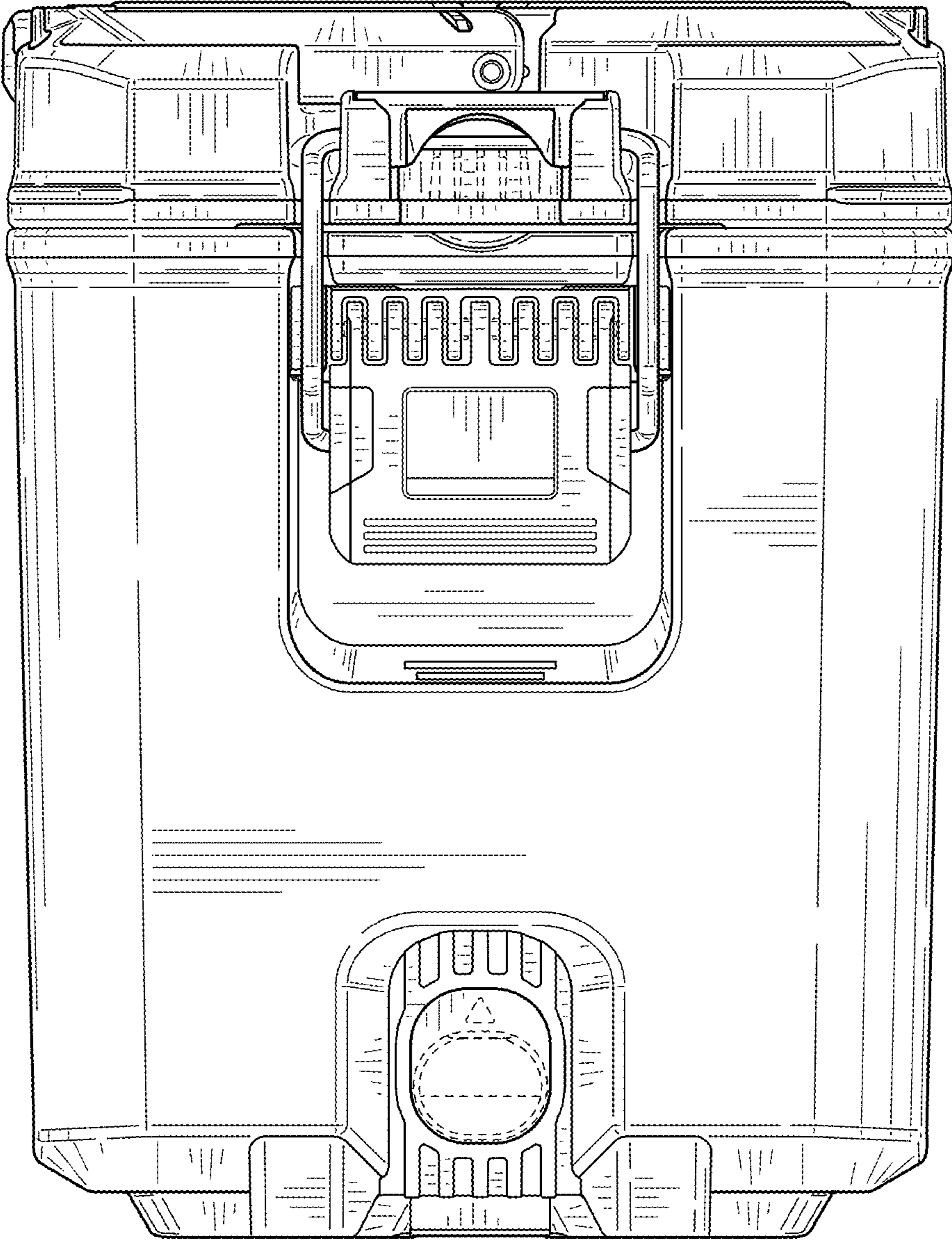


FIG. 3

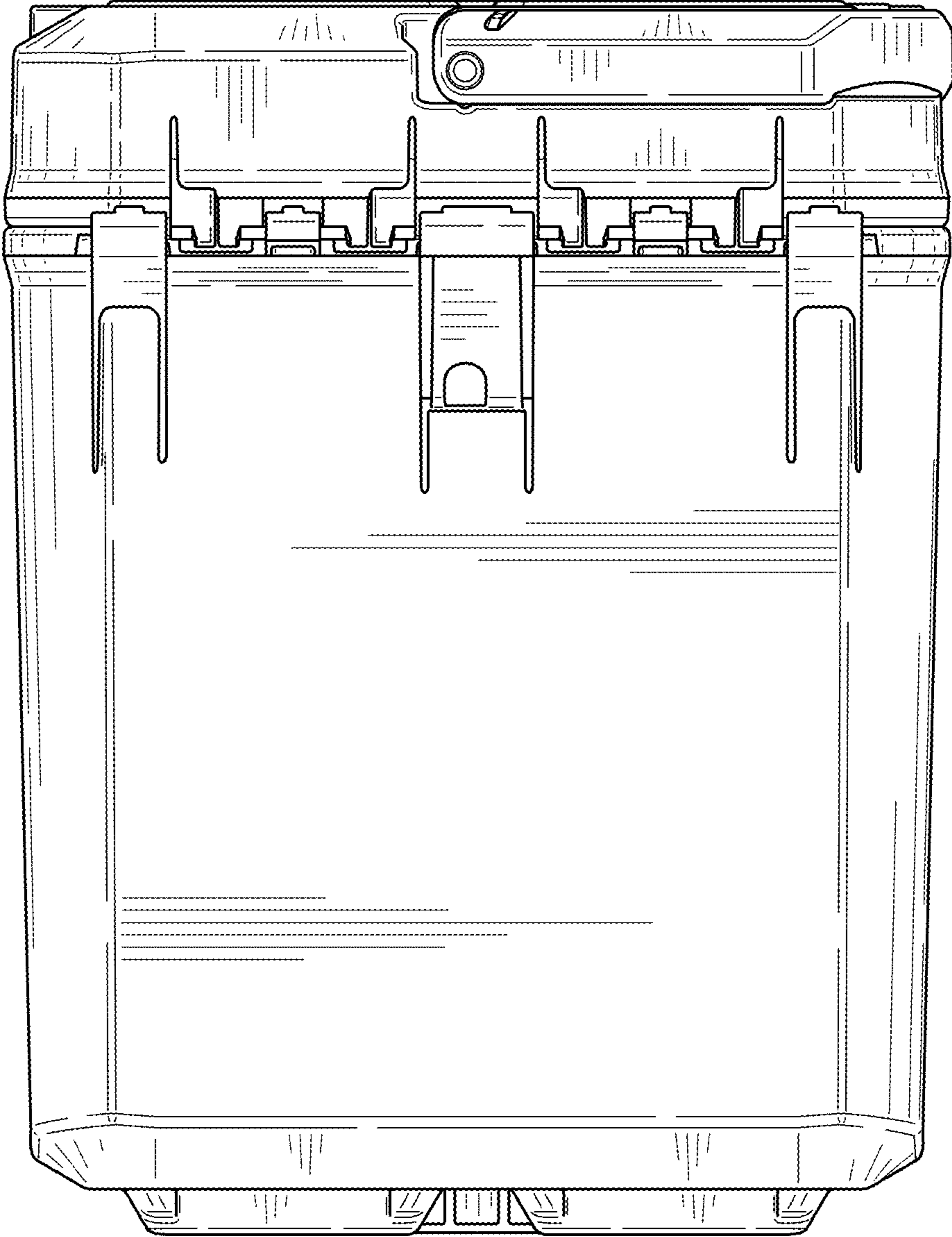


FIG. 4

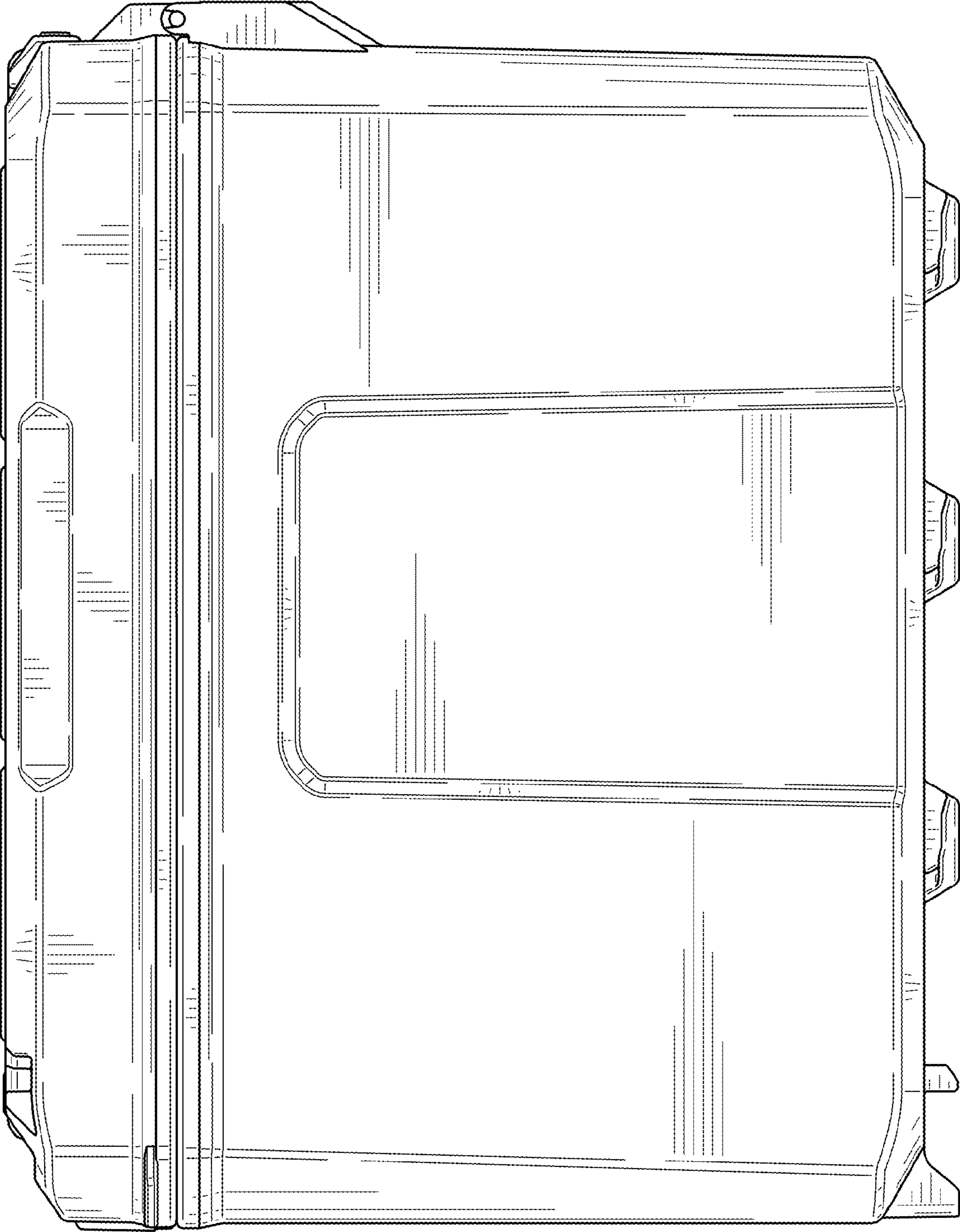


FIG. 5

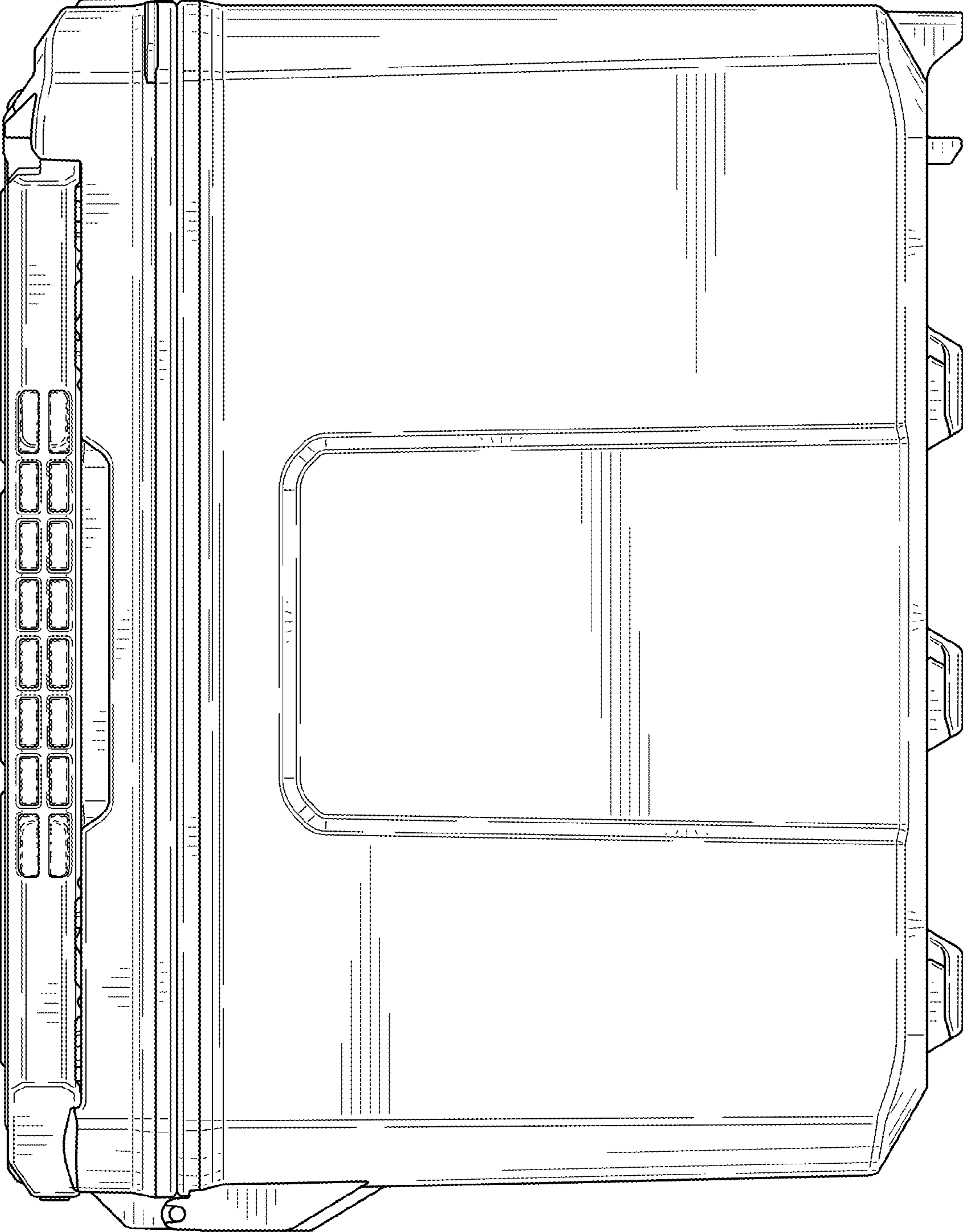


FIG. 6

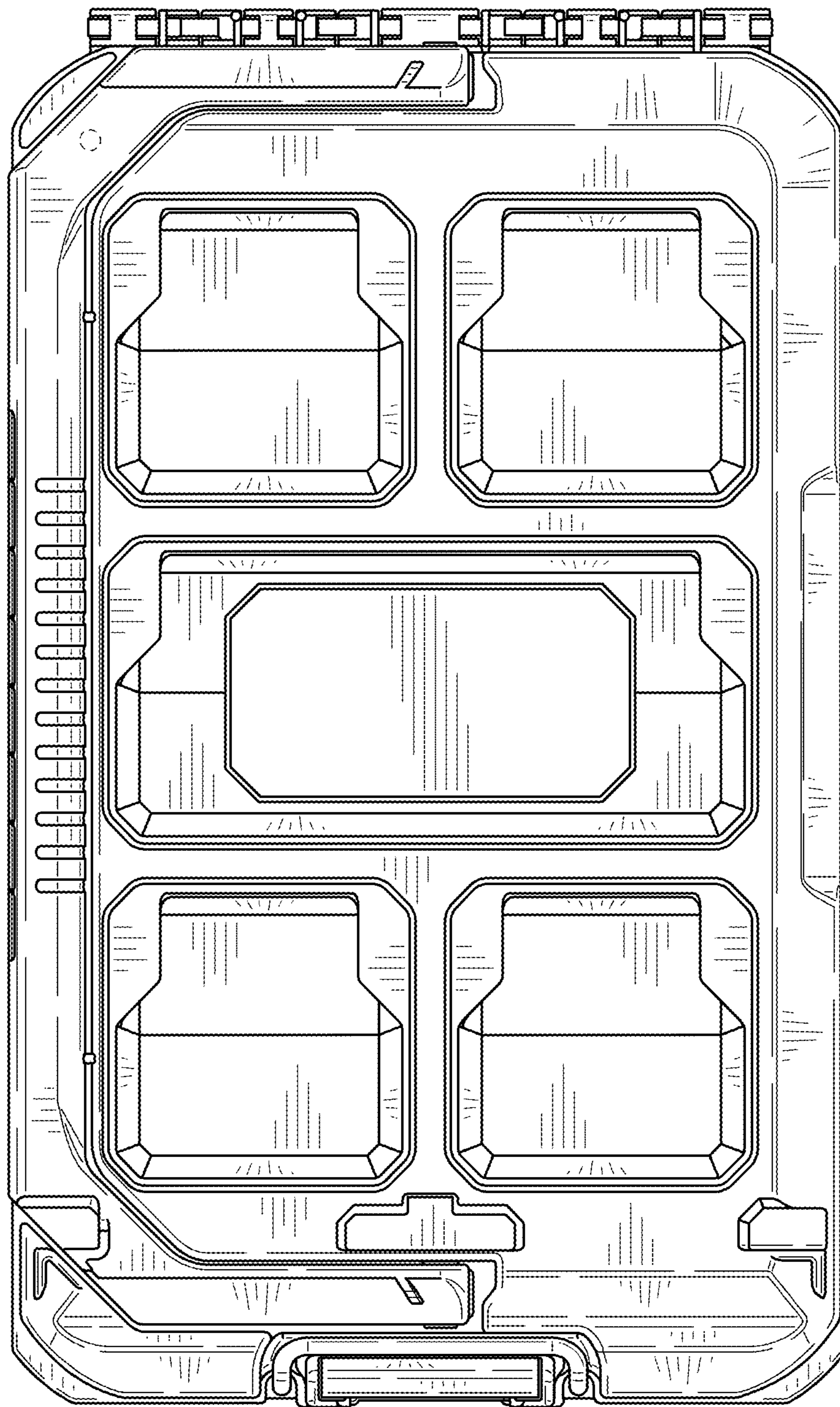


FIG. 7

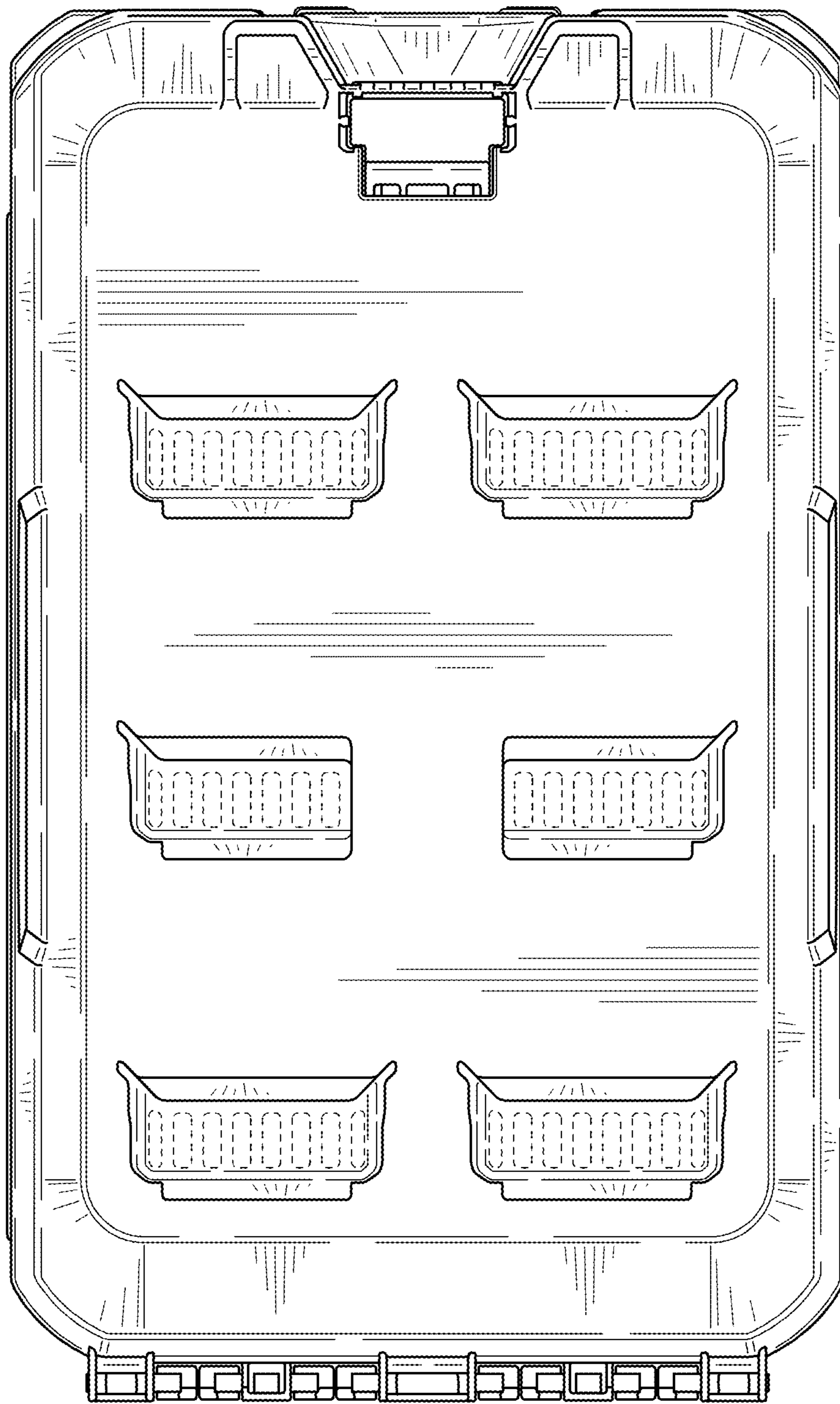


FIG. 8