



US00D917976S

(12) **United States Design Patent** (10) **Patent No.:** **US D917,976 S**
Etgar et al. (45) **Date of Patent:** **** May 4, 2021**

- (54) **BEVERAGE CONTAINER**
- (71) Applicant: **Coors Brewing Company**, Denver, CO (US)
- (72) Inventors: **Inbal Etgar**, Berkeley, CA (US); **Anderson Miller**, San Francisco, CA (US); **Ryan Wickre**, San Francisco, CA (US); **Hailey Stewart**, Wilmington, MA (US); **Jonathan Grossman**, San Francisco, CA (US)
- (73) Assignee: **Coors Brewing Company**, Denver, CO (US)
- (**) Term: **15 Years**
- (21) Appl. No.: **29/681,371**
- (22) Filed: **Feb. 25, 2019**
- (51) **LOC (13) Cl.** **07-07**
- (52) **U.S. Cl.**
USPC **D7/602**; D9/418
- (58) **Field of Classification Search**
USPC D7/602, 601, 584, 554.3, 619.1, 392; D9/425, 414, 444, 430
CPC .. B65D 21/0233; B65D 53/06; B65D 5/0209; B65D 5/4608; B65D 31/12; B65D 5/2076; B65D 5/746; B65D 5/008; B65D 5/46112; B65D 77/065
See application file for complete search history.

- (56) **References Cited**
U.S. PATENT DOCUMENTS
D170,639 S * 10/1953 Hoffman D9/782
D210,681 S * 4/1968 Gould D7/602
D250,573 S * 12/1978 Evangelista D9/526
4,572,422 A * 2/1986 Heuberger B65D 77/065
222/530
4,815,631 A * 3/1989 Eeg B65D 5/4608
222/183

- D301,927 S * 6/1989 Williams, Jr. D3/304
- D370,175 S * 5/1996 McCallum D7/602
- 5,697,707 A * 12/1997 Esposito B65D 31/12
206/217
- D452,154 S * 12/2001 Rhodes D7/605
- D535,521 S * 1/2007 Burns D7/301
- D563,234 S * 3/2008 Moreno D9/572
- D590,656 S * 4/2009 Patti D7/392
- D617,635 S * 6/2010 Gould D9/431
- D619,891 S * 7/2010 Lymn D9/432
- D621,704 S * 8/2010 Lymn D9/432
- D668,951 S * 10/2012 Voelker D9/430
- D677,101 S * 3/2013 Mullins D7/306
- D684,042 S * 6/2013 Betzig D9/420
- D690,195 S * 9/2013 Kalberer D9/430
- D711,237 S * 8/2014 Fleischhacker D9/526
- D725,465 S * 3/2015 Voelker D9/430
- D772,054 S * 11/2016 Wolf D9/430
- D777,572 S * 1/2017 Mast D9/444
- D785,448 S * 5/2017 Wolf D9/414
- D796,243 S * 9/2017 Roberts D7/313

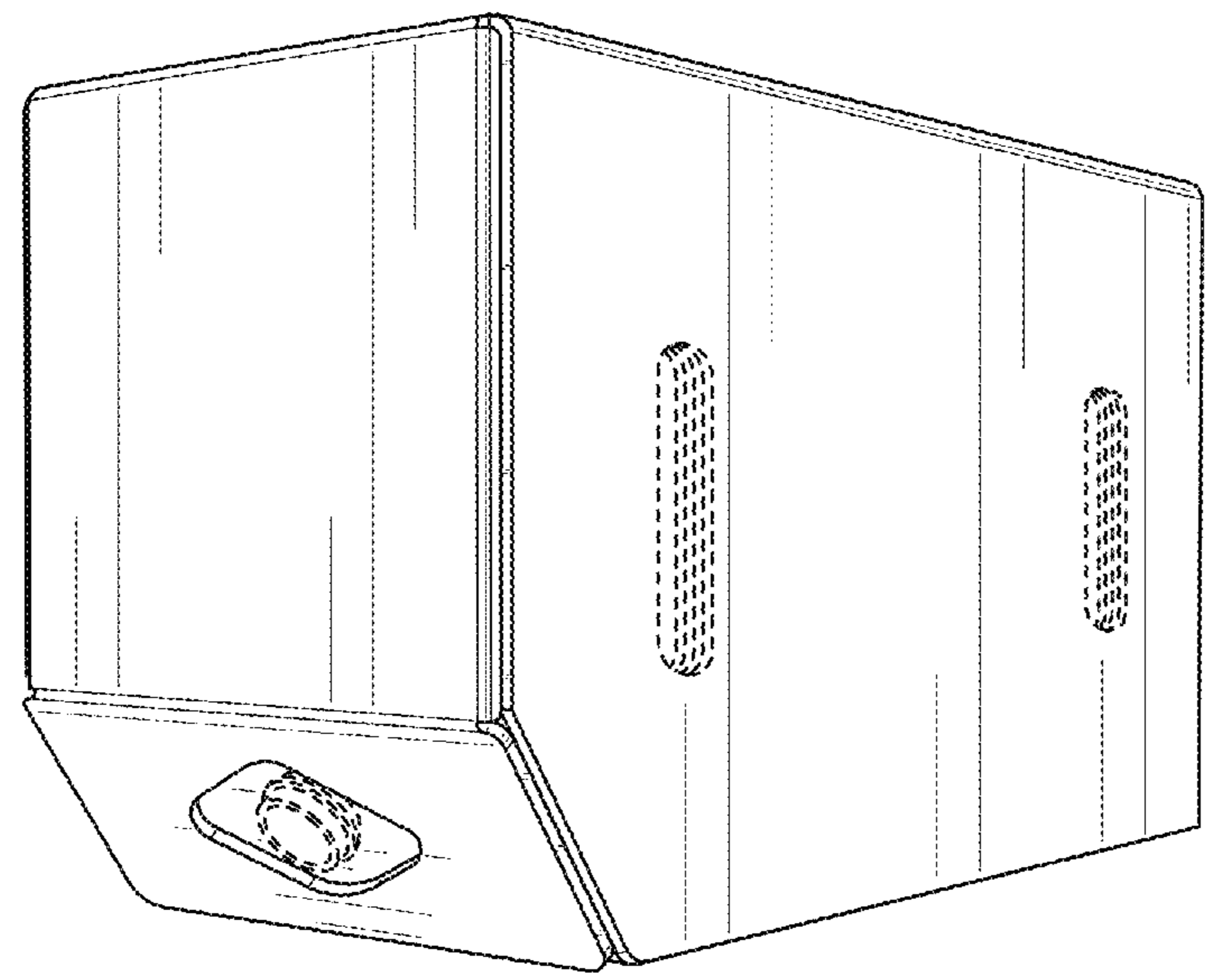
(Continued)

Primary Examiner — Cynthia R Underwood
(74) Attorney, Agent, or Firm — Sheridan Ross P.C.

(57) **CLAIM**
The ornamental design for the beverage container, as shown and described.

DESCRIPTION
FIG. 1 is a perspective view of a beverage container; FIG. 2 is a front elevation view thereof; FIG. 3 is a rear elevation view thereof; FIG. 4 is a left elevation view thereof; FIG. 5 is a right elevation view thereof; FIG. 6 is a top plan view thereof; and, FIG. 7 is a bottom plan view thereof.
The broken lines in the drawings illustrate portions of the beverage container which form no part of the claimed design.

1 Claim, 7 Drawing Sheets



(56)

References Cited

U.S. PATENT DOCUMENTS

9,751,656 B2 * 9/2017 Wolf B65D 5/746
D816,421 S * 5/2018 O'Hara D7/602
D848,530 S * 5/2019 Wagner D20/37
D885,925 S * 6/2020 Lewis D9/560
D887,832 S * 6/2020 Boersma B65D 5/0209
D9/431
D896,630 S * 9/2020 Gomez D9/418
2005/0211754 A1 * 9/2005 Fulcher B65D 5/46024
229/117.3
2006/0202005 A1 * 9/2006 Andrews, Sr. B65D 77/065
229/117.3
2007/0228123 A1 * 10/2007 McKenna B65D 5/2076
229/117.13
2011/0253774 A1 * 10/2011 Hill B65D 5/46112
229/117.3
2014/0374447 A1 * 12/2014 Coogan B65D 5/008
222/183
2015/0151888 A1 * 6/2015 Fitzwater B65D 5/4608
206/427
2016/0146519 A1 * 5/2016 Ito F25B 6/04
62/498

* cited by examiner

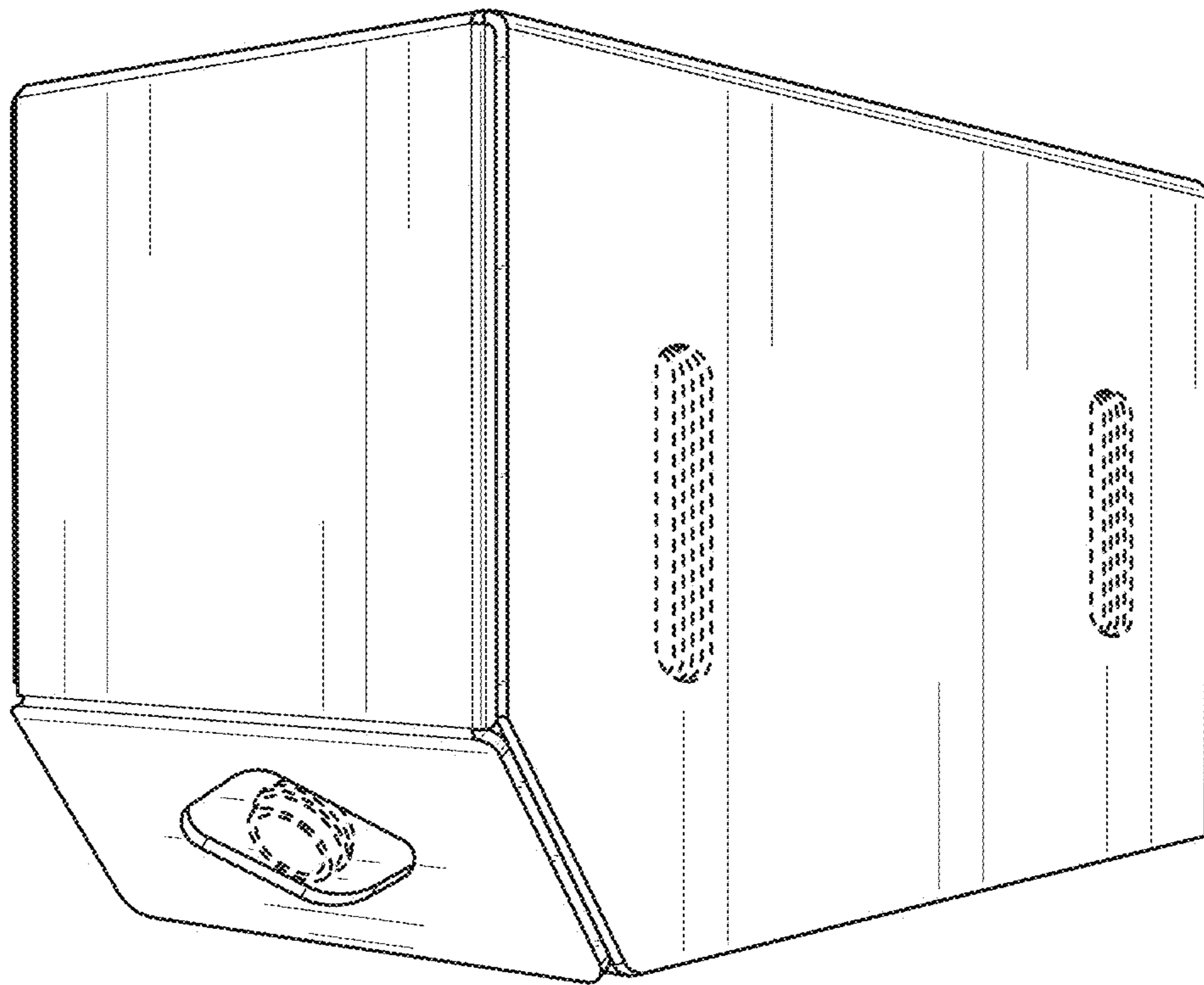


FIG. 1

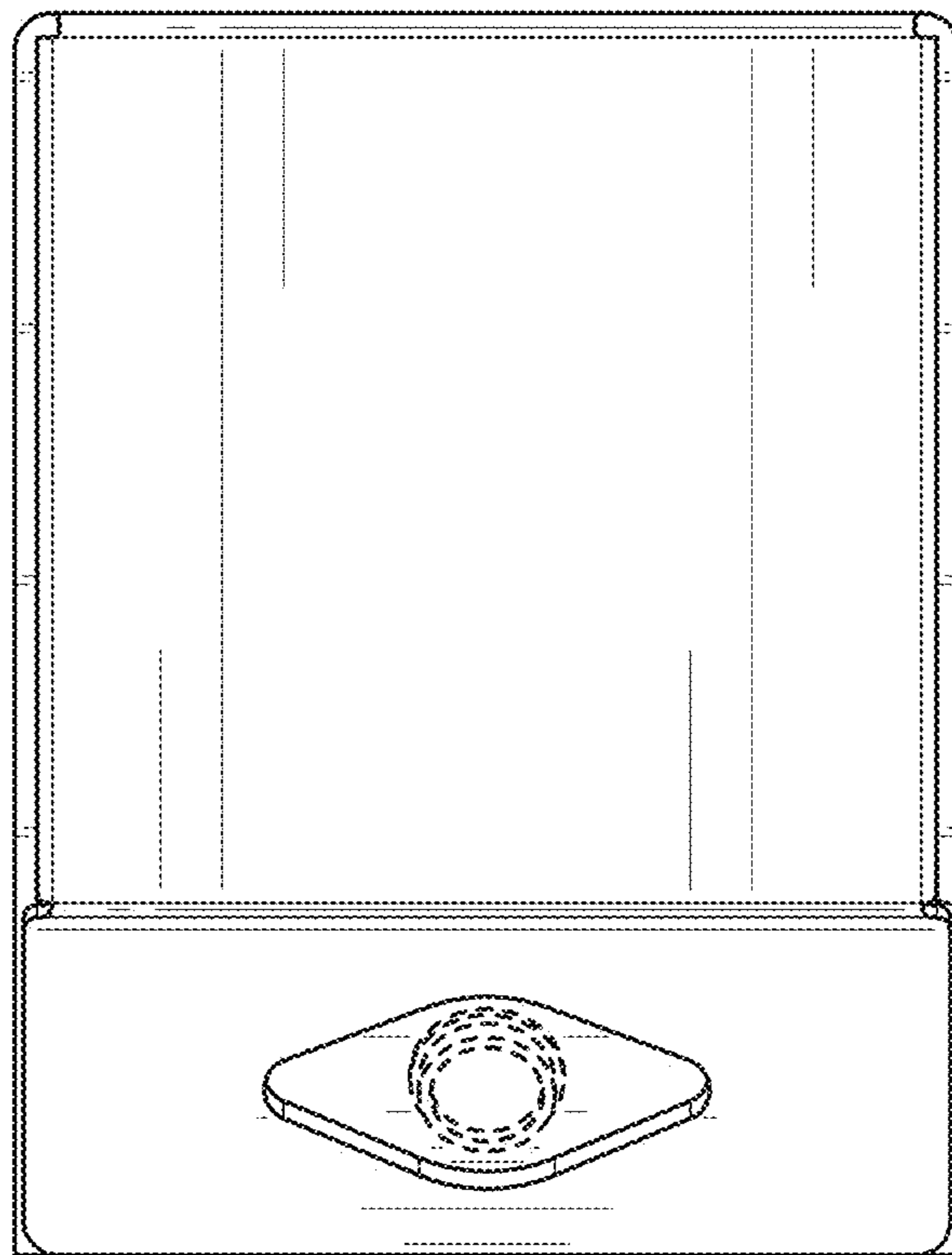


FIG. 2

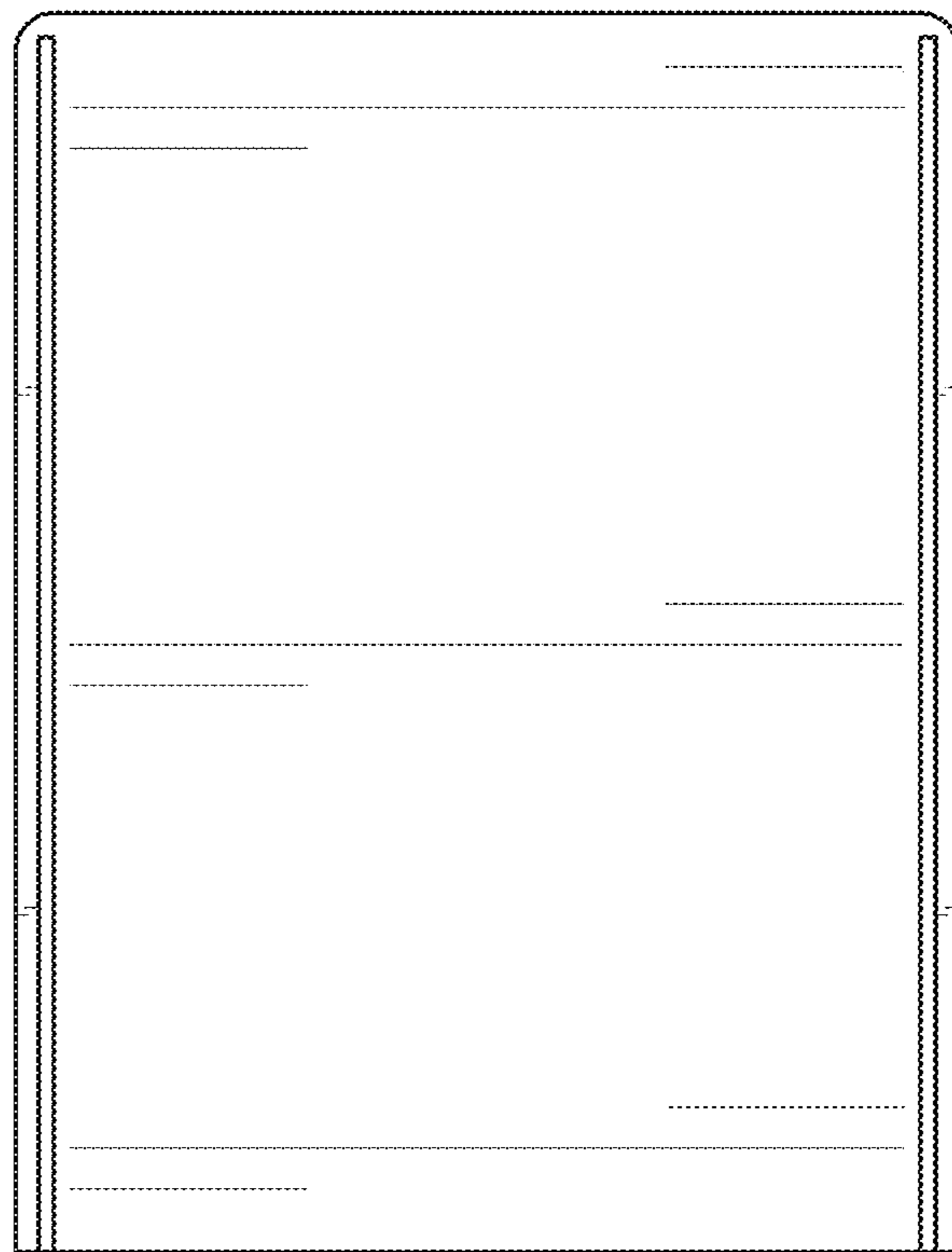


FIG. 3

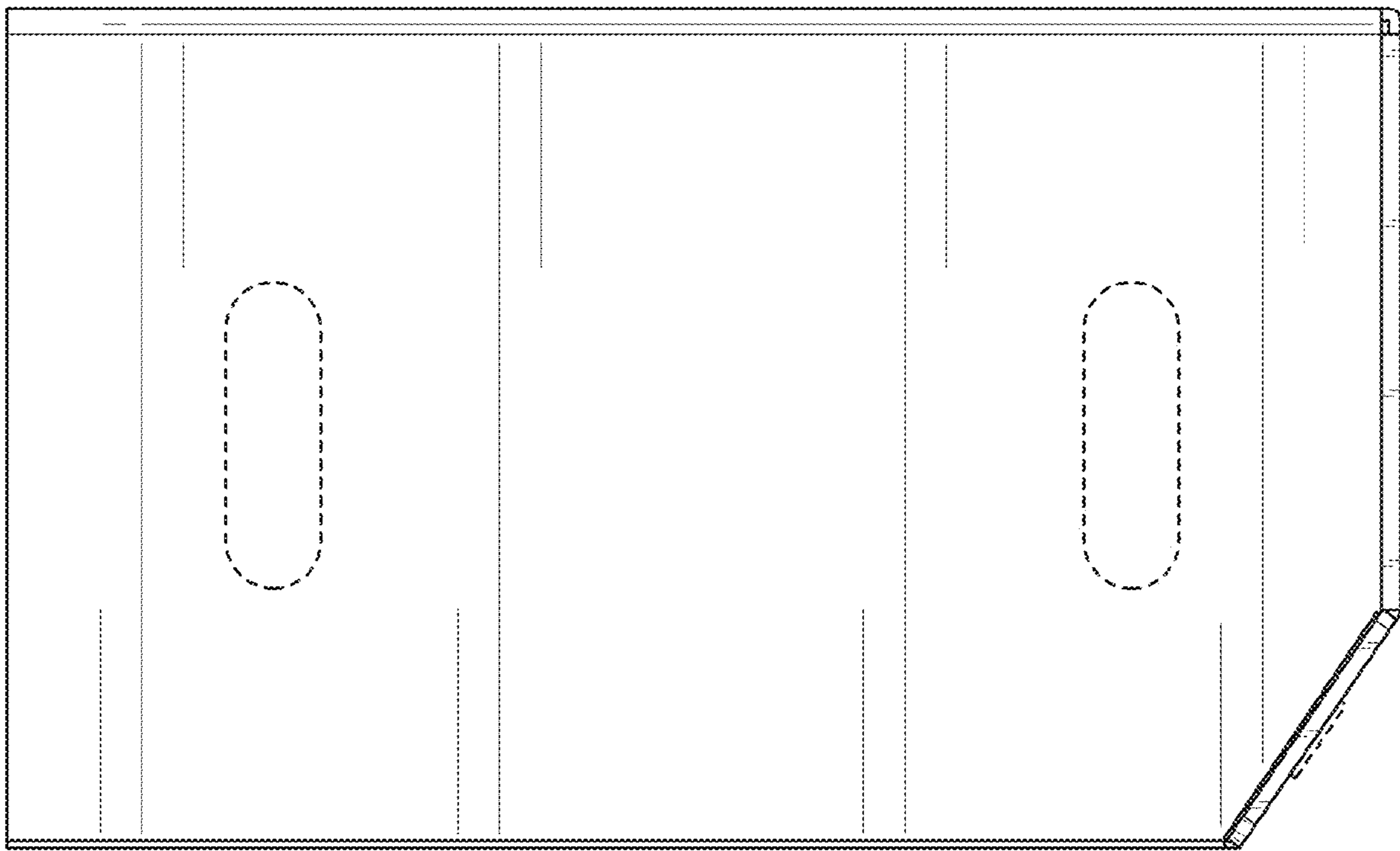


FIG. 4

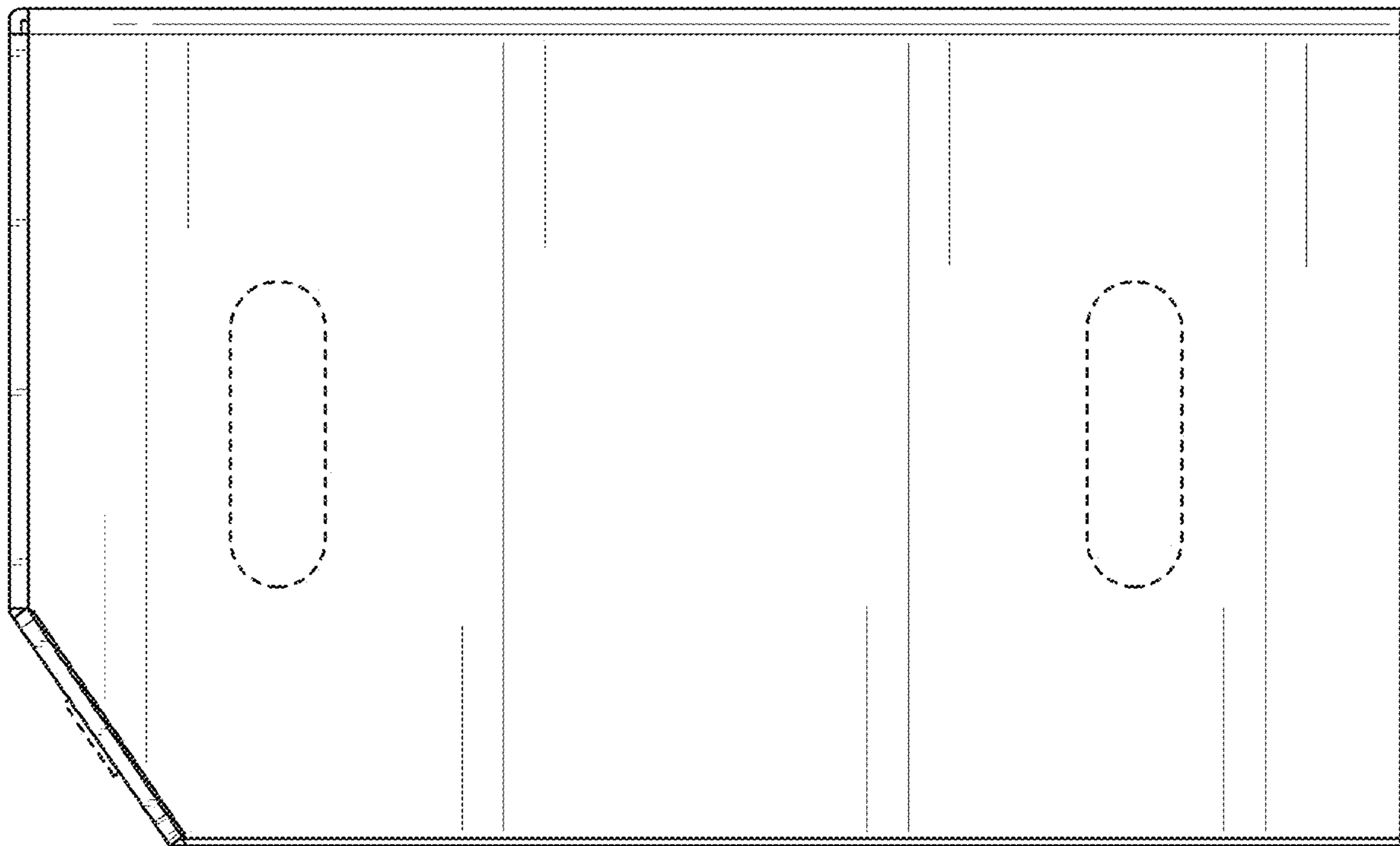


FIG. 5

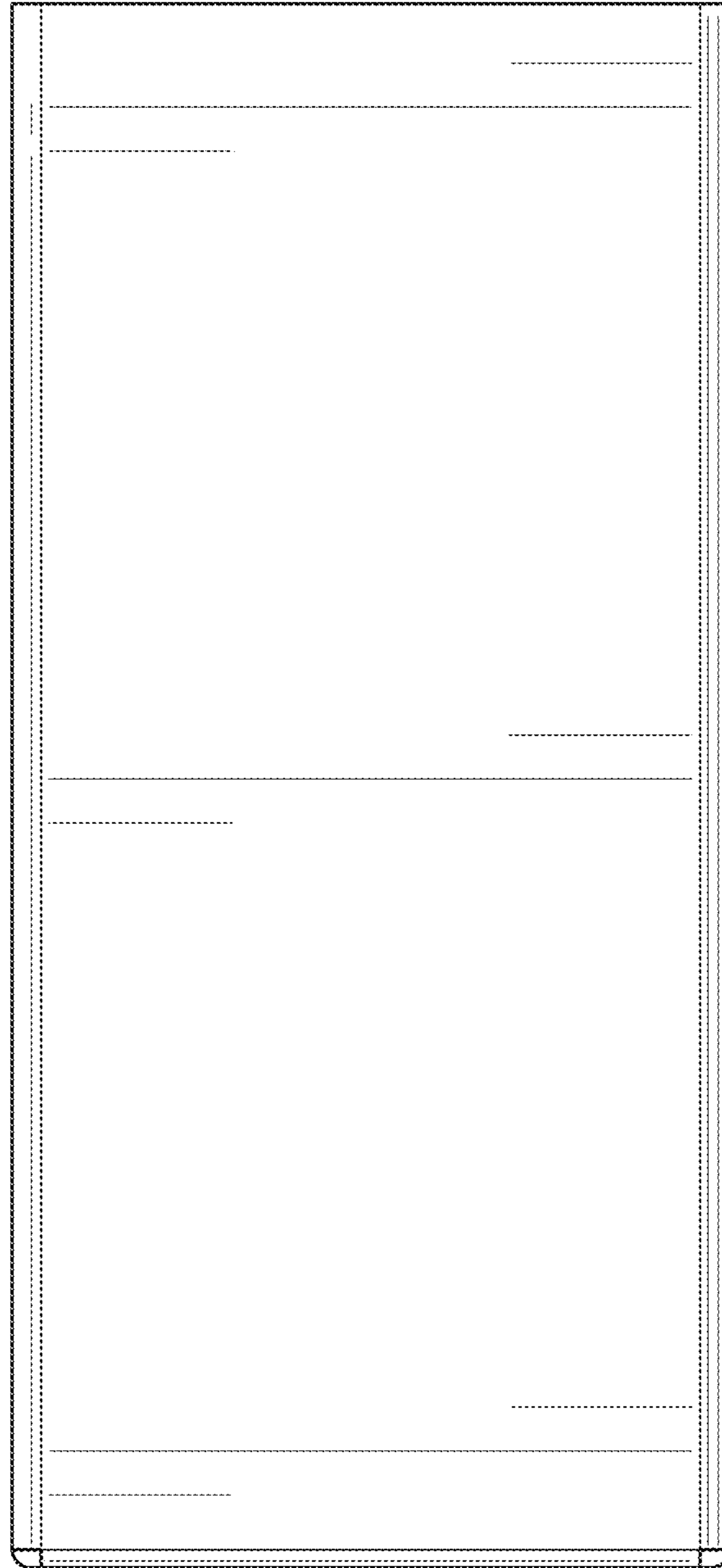


FIG. 6

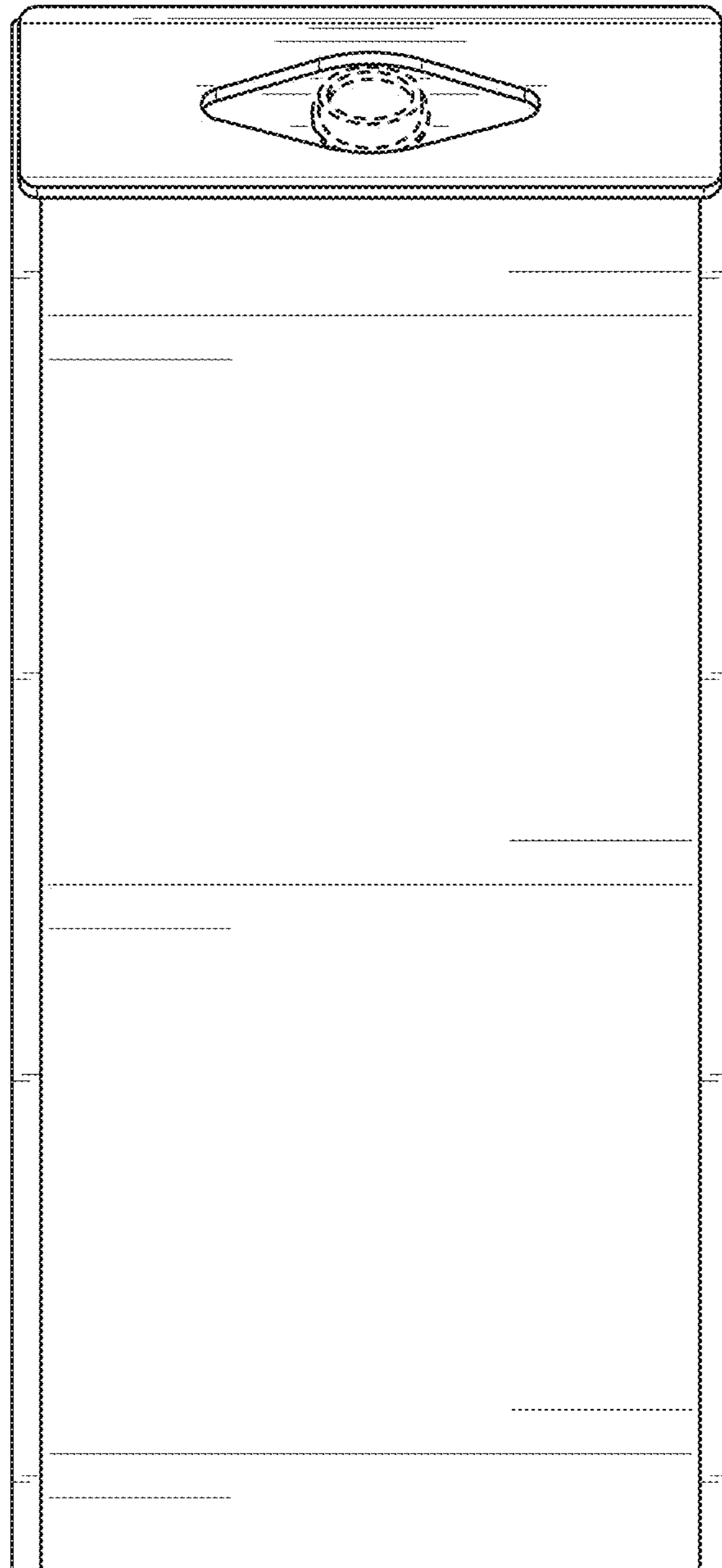


FIG. 7