



US00D917975S

(12) **United States Design Patent** (10) **Patent No.:** **US D917,975 S**
Shi (45) **Date of Patent:** **** May 4, 2021**

(54) **CONDIMENT HOLDER**

(71) Applicant: **Shenzhen Kleadone Intelligent Kitchenware Equipment Co., Ltd.**,
Shenzhen (CN)

(72) Inventor: **Liwei Shi**, Guangdong (CN)

(**) Term: **15 Years**

(21) Appl. No.: **29/739,846**

(22) Filed: **Jun. 30, 2020**

(30) **Foreign Application Priority Data**

Dec. 31, 2019 (CN) 201930746458.5

(51) **LOC (13) Cl.** **07-99**

(52) **U.S. Cl.**
USPC **D7/600.1**

(58) **Field of Classification Search**
USPC D7/590, 600.1, 601, 602, 701, 339;
D6/698-699.5
CPC A47F 10/02; A47F 10/06; A47B 77/022
See application file for complete search history.

(56) **References Cited**

U.S. PATENT DOCUMENTS

- D267,994 S * 2/1983 Luzich D6/699.2
- D287,795 S * 1/1987 Streepy D6/699.2
- D293,179 S * 12/1987 Balisteri D6/699
- D314,295 S * 2/1991 Boyd D6/699.1
- D326,024 S * 5/1992 Boyd 211/59.1
- D355,517 S * 2/1995 Campbell D34/19
- 5,551,774 A * 9/1996 Campbell A47F 3/0439
312/114
- D378,176 S * 2/1997 Feldman D6/699.3
- D442,396 S * 5/2001 Criado Mellado D6/699.3

- D458,075 S * 6/2002 Holbrook D7/346
- 6,561,317 B1 * 5/2003 Dudley A47F 9/00
186/38
- D477,188 S 7/2003 Faria
- D570,640 S * 6/2008 Brunner D7/332
- D591,551 S * 5/2009 Boisvert D7/339
- D702,066 S * 4/2014 Maddux D6/699.3
- 9,943,178 B2 * 4/2018 Savinskiy A47B 96/18

* cited by examiner

Primary Examiner — Derrick E Holland
Assistant Examiner — Andrew Kerr

(57) **CLAIM**

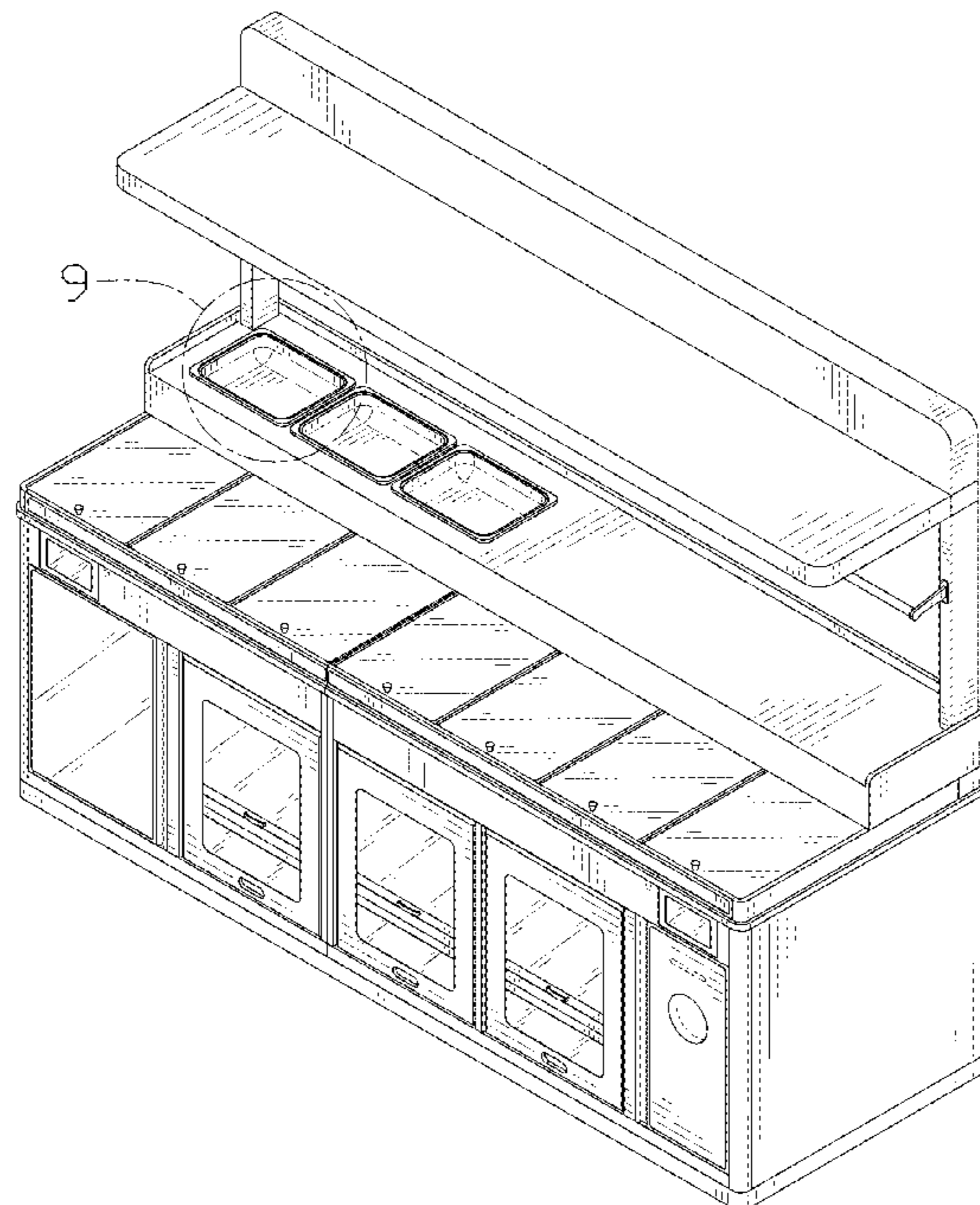
The ornamental design for a condiment holder, as shown and described.

DESCRIPTION

FIG. 1 is a front and top perspective view of a condiment holder, showing my new design;
FIG. 2 is a rear and bottom perspective view thereof;
FIG. 3 is a front view thereof;
FIG. 4 is a back view thereof;
FIG. 5 is a left side view thereof;
FIG. 6 is a right side view thereof;
FIG. 7 is a top view thereof;
FIG. 8 is a bottom view thereof;
FIG. 9 is an enlarged view of a portion indicated in FIG. 1; and,
FIG. 10 is a front and top perspective view thereof, shown in environmental use.

The dashed broken lines in the figures illustrate portions of the article that form no part of the claimed design. The dash dot dash lines in FIGS. 1 and 9 are for the purpose of depicting the cut line of the enlarged view and form no part of the claim.

1 Claim, 10 Drawing Sheets



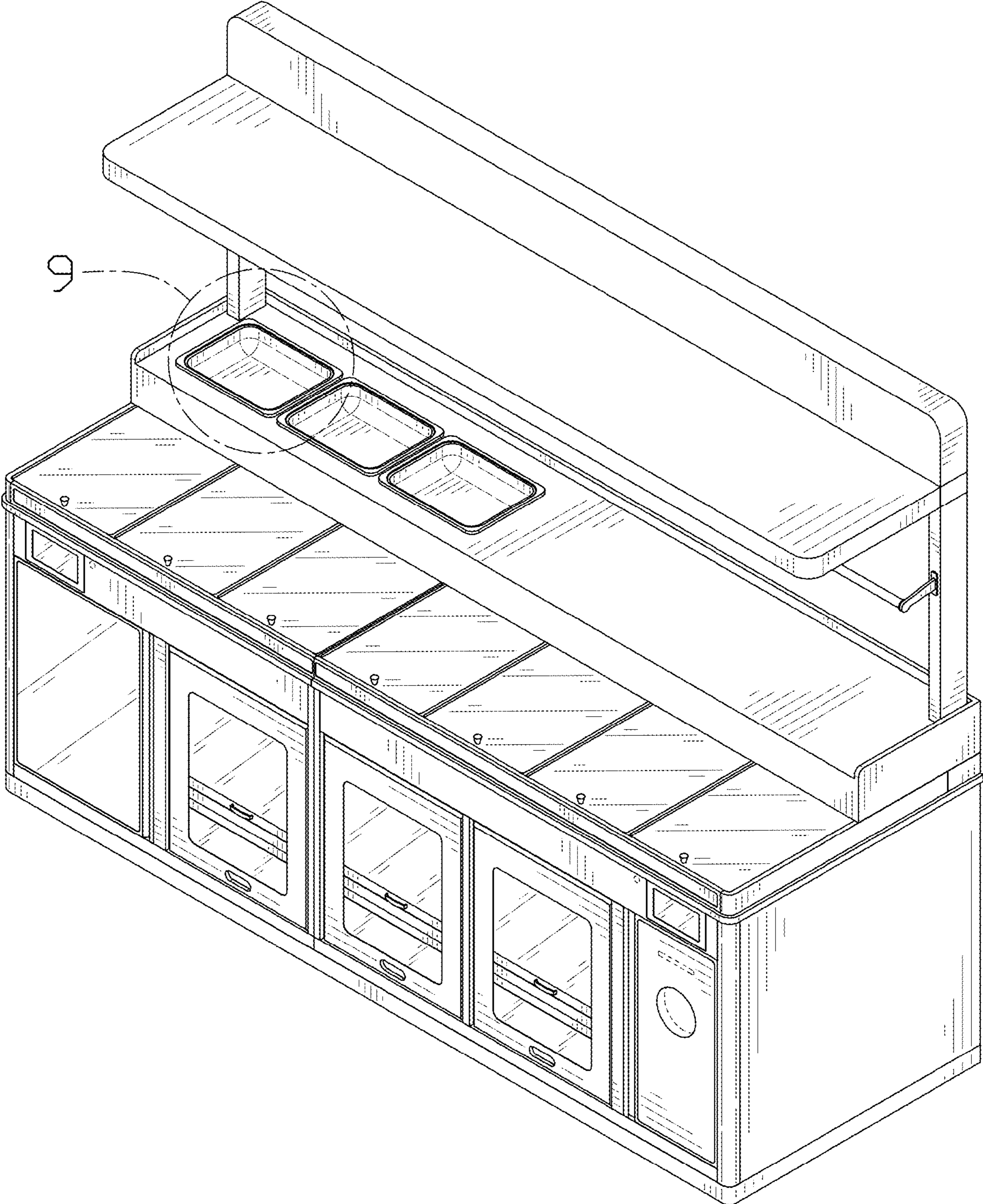


FIG. 1

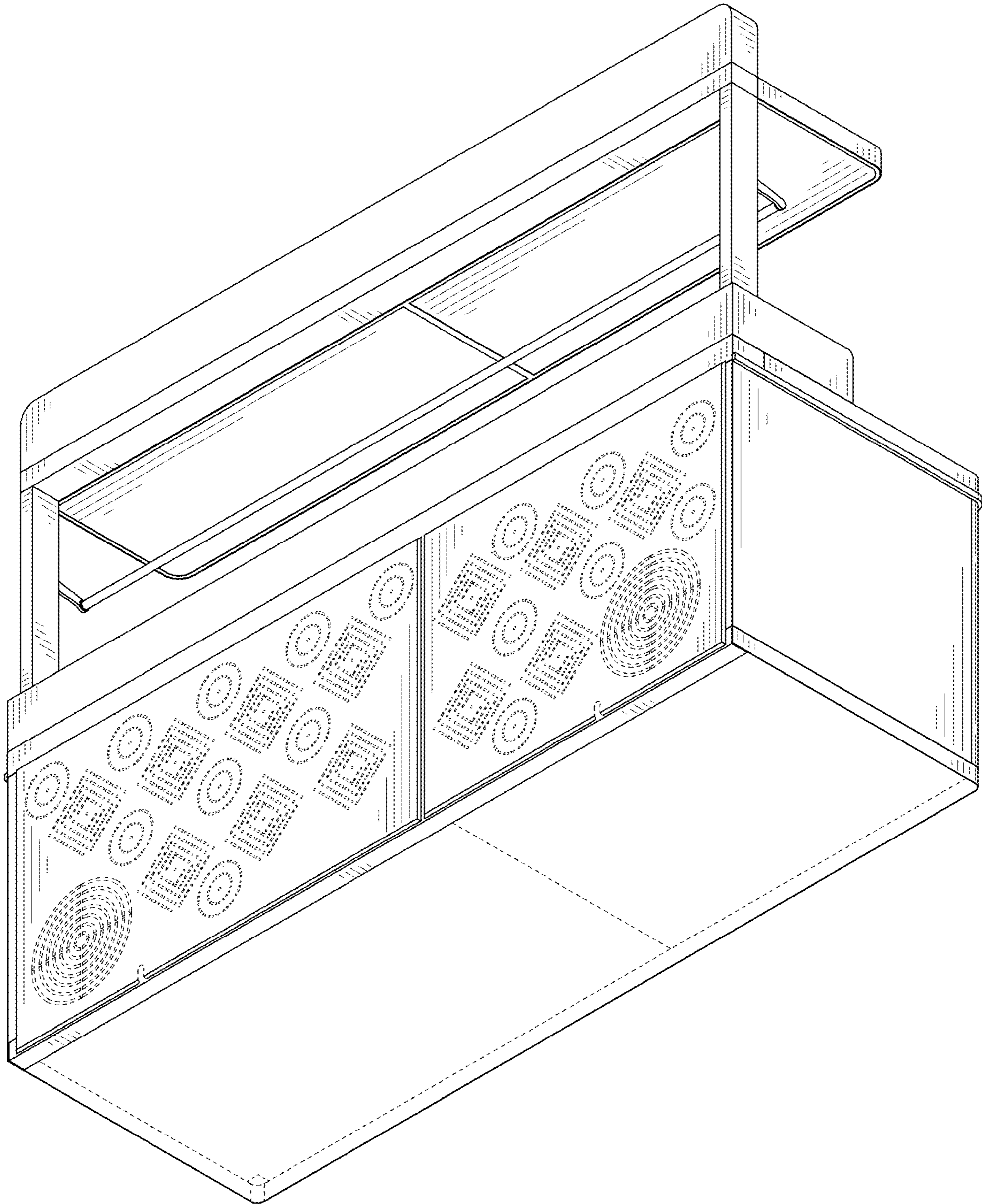


FIG. 2

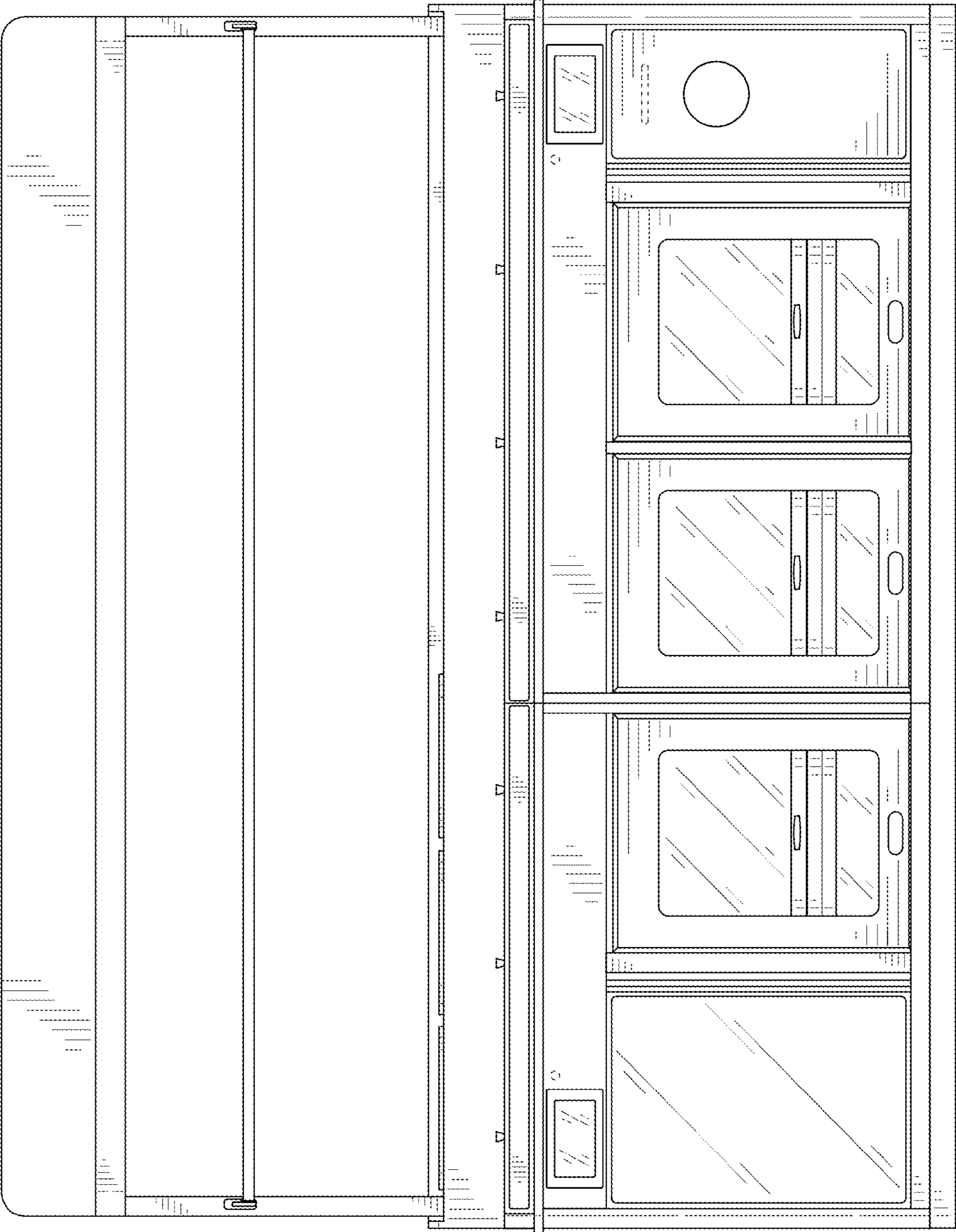


FIG. 3

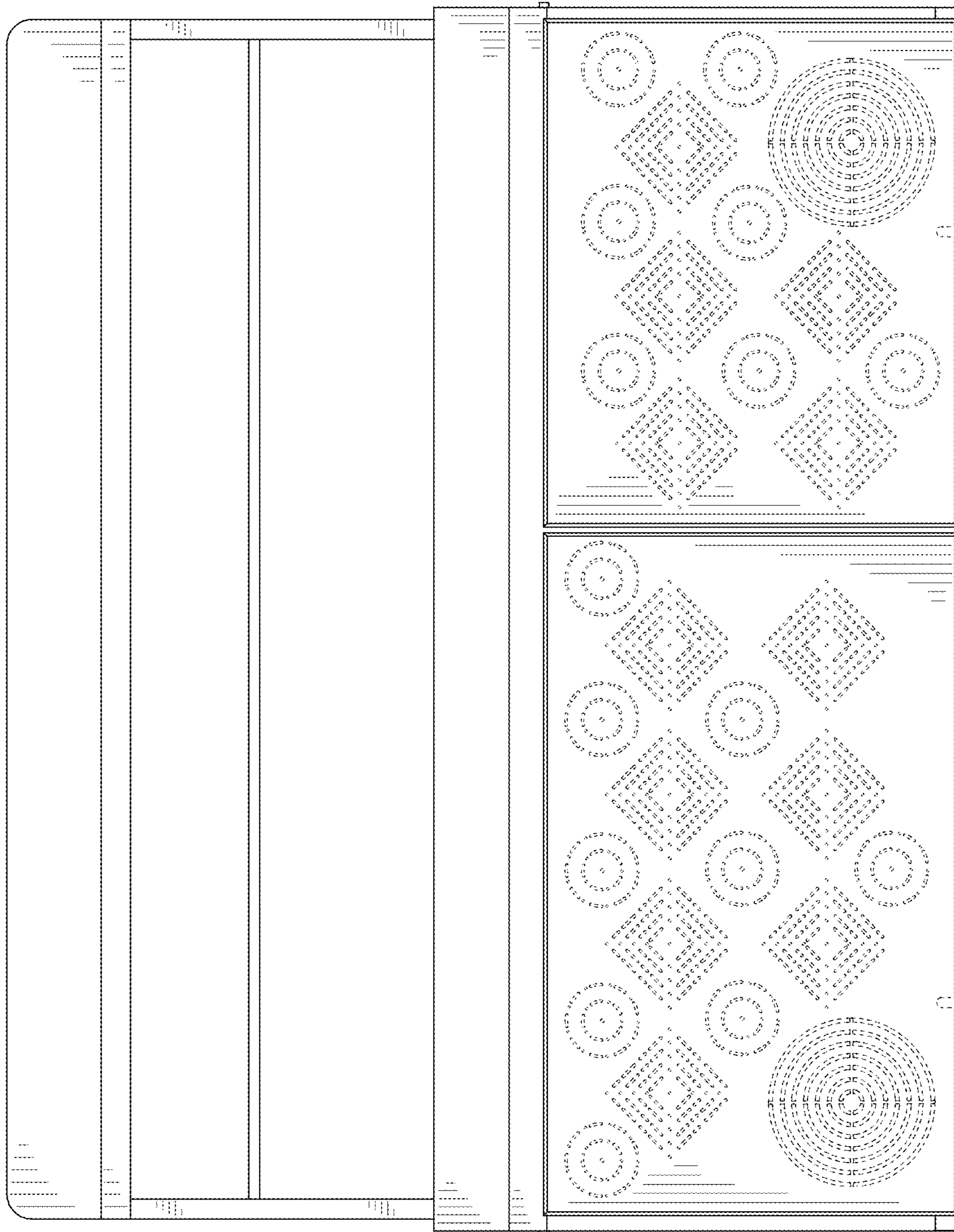


FIG. 4

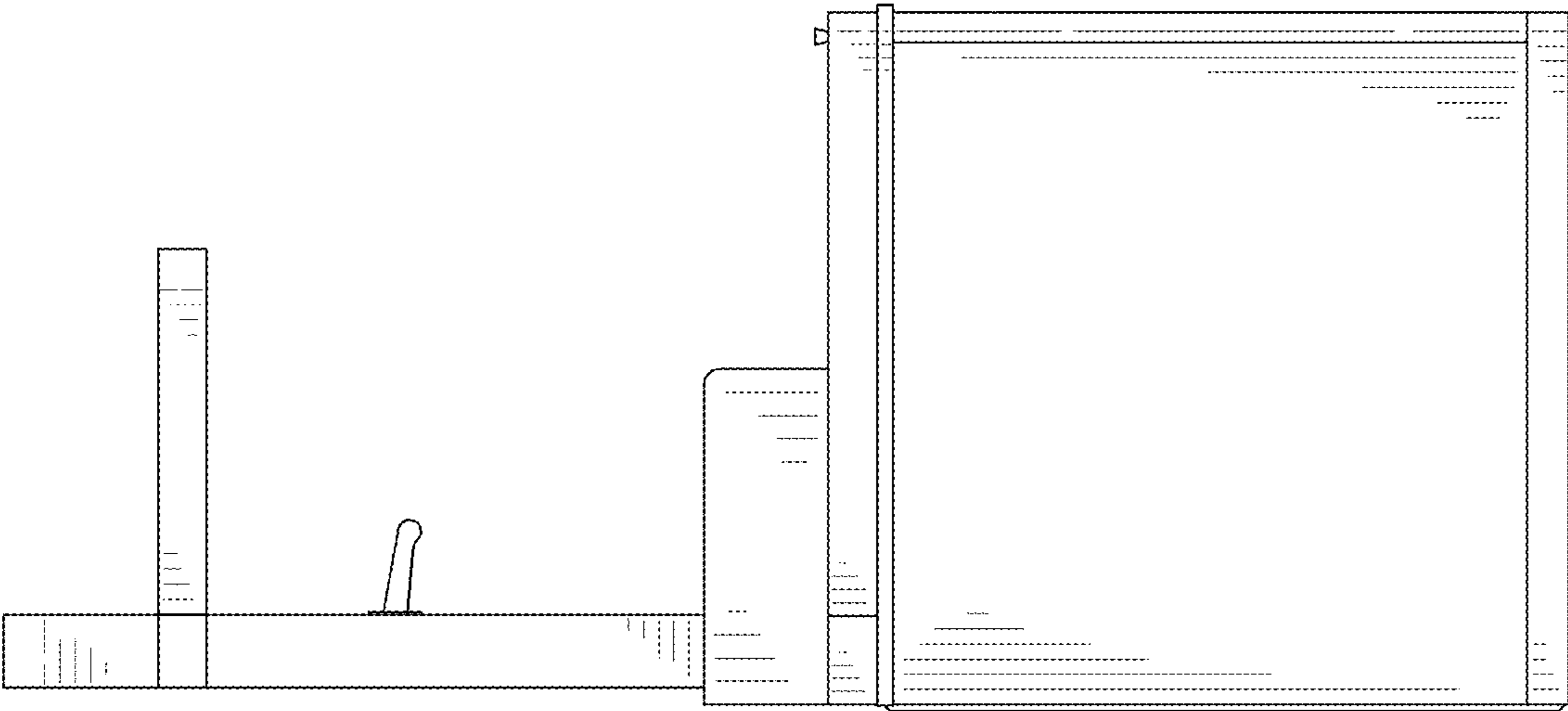


FIG. 5

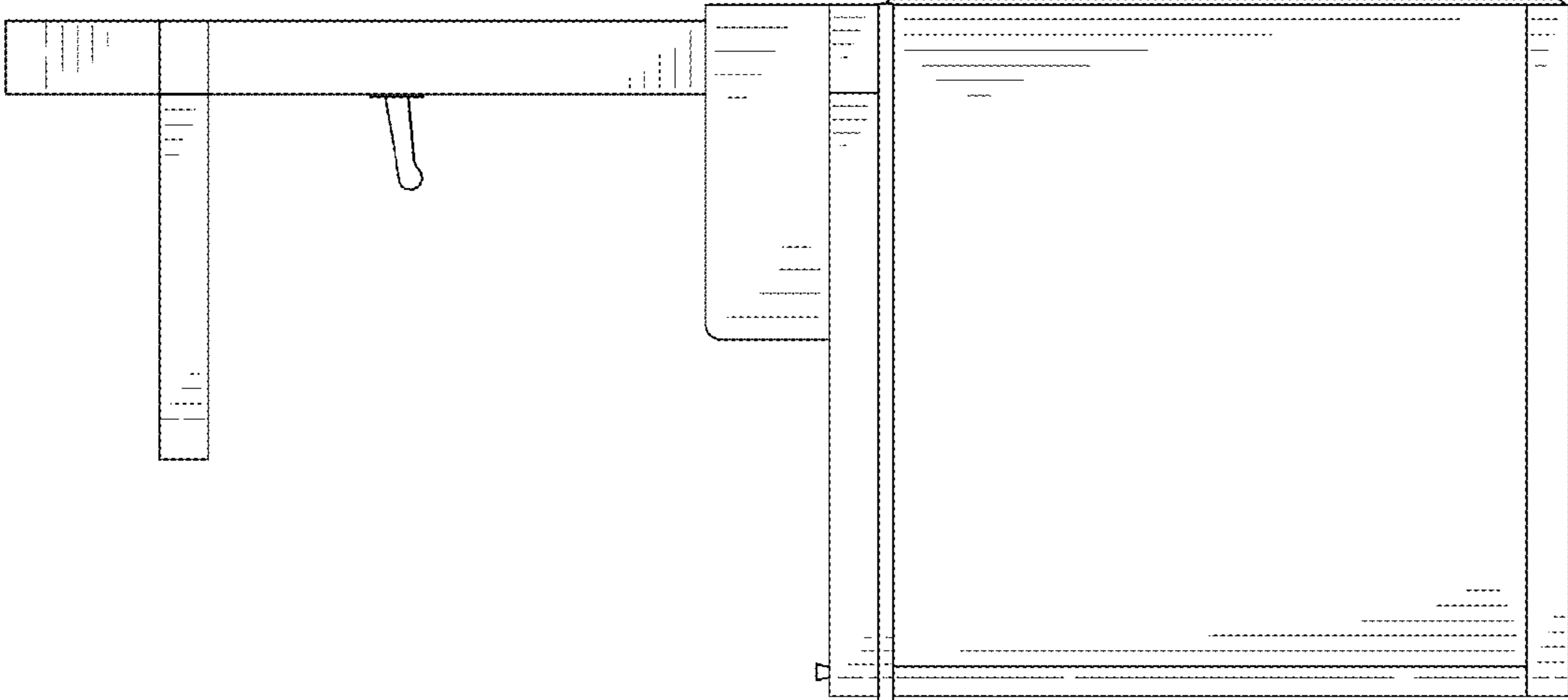


FIG. 6

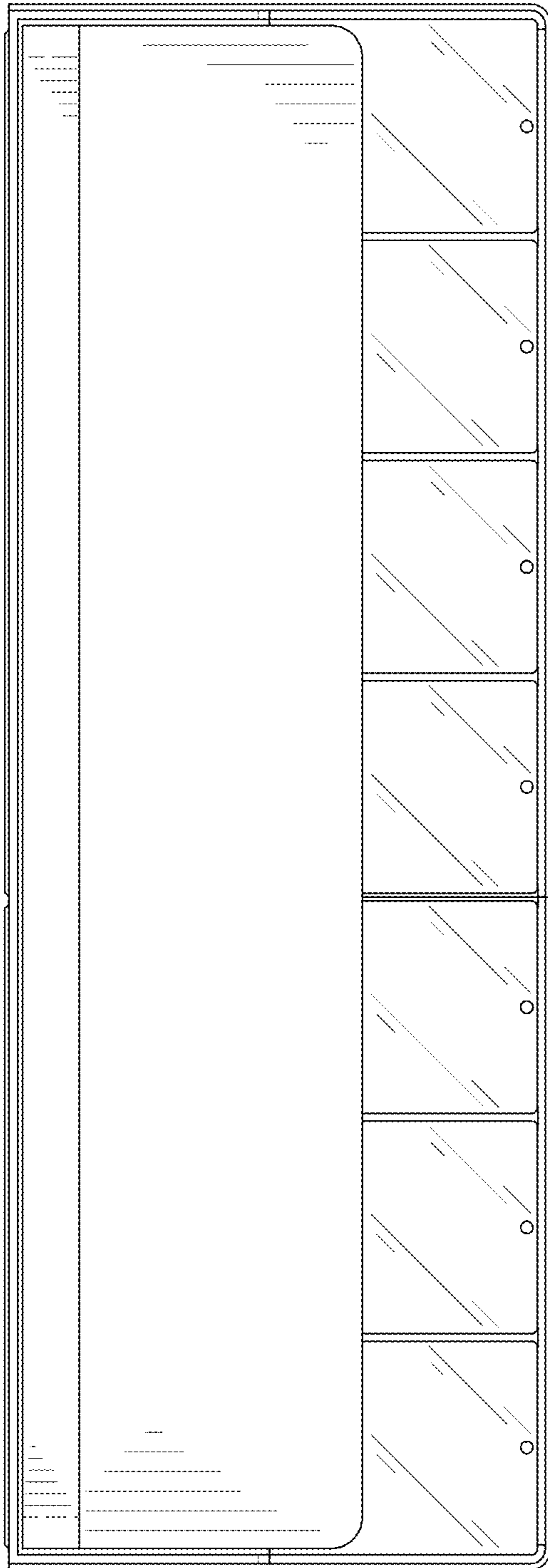


FIG. 7

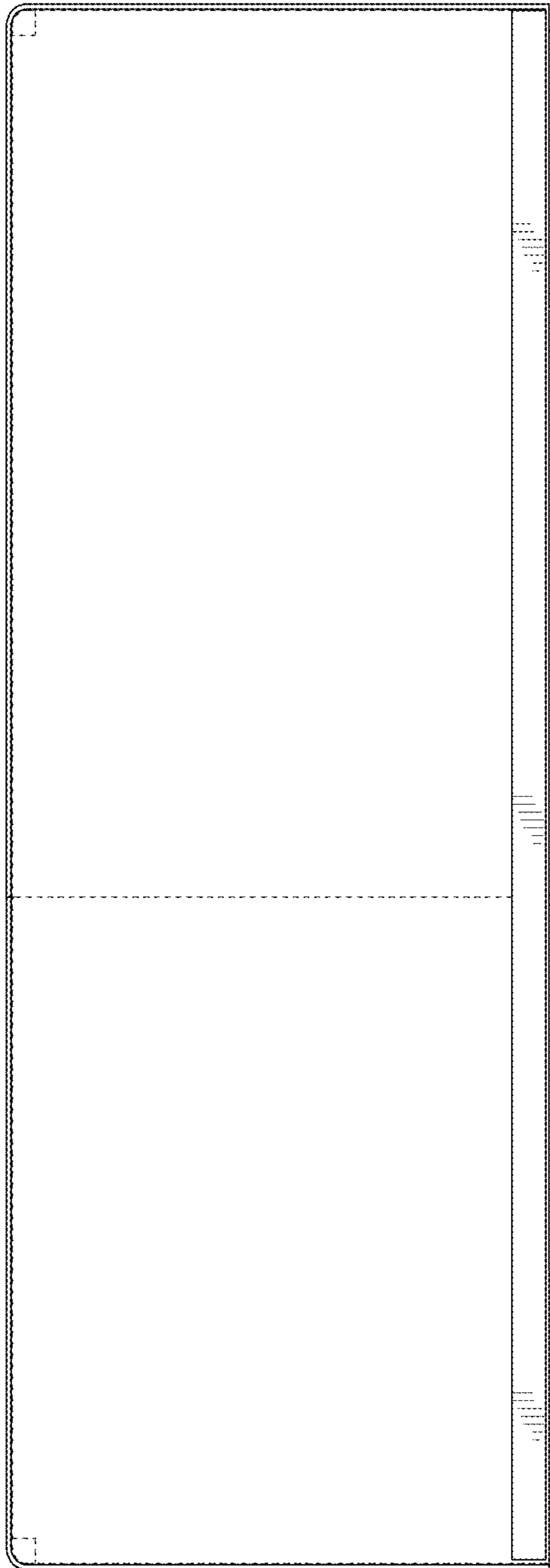


FIG. 8

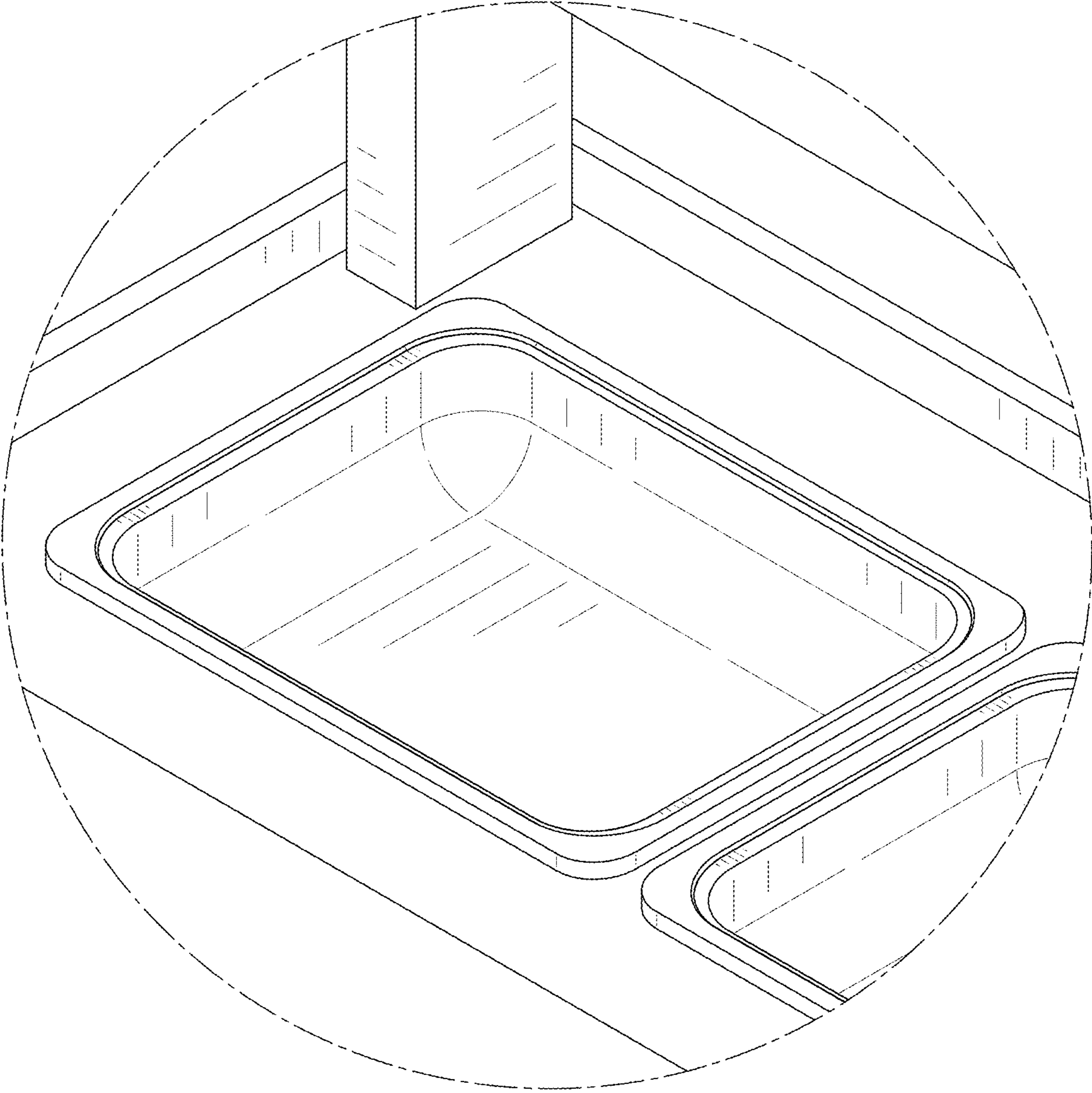


FIG. 9

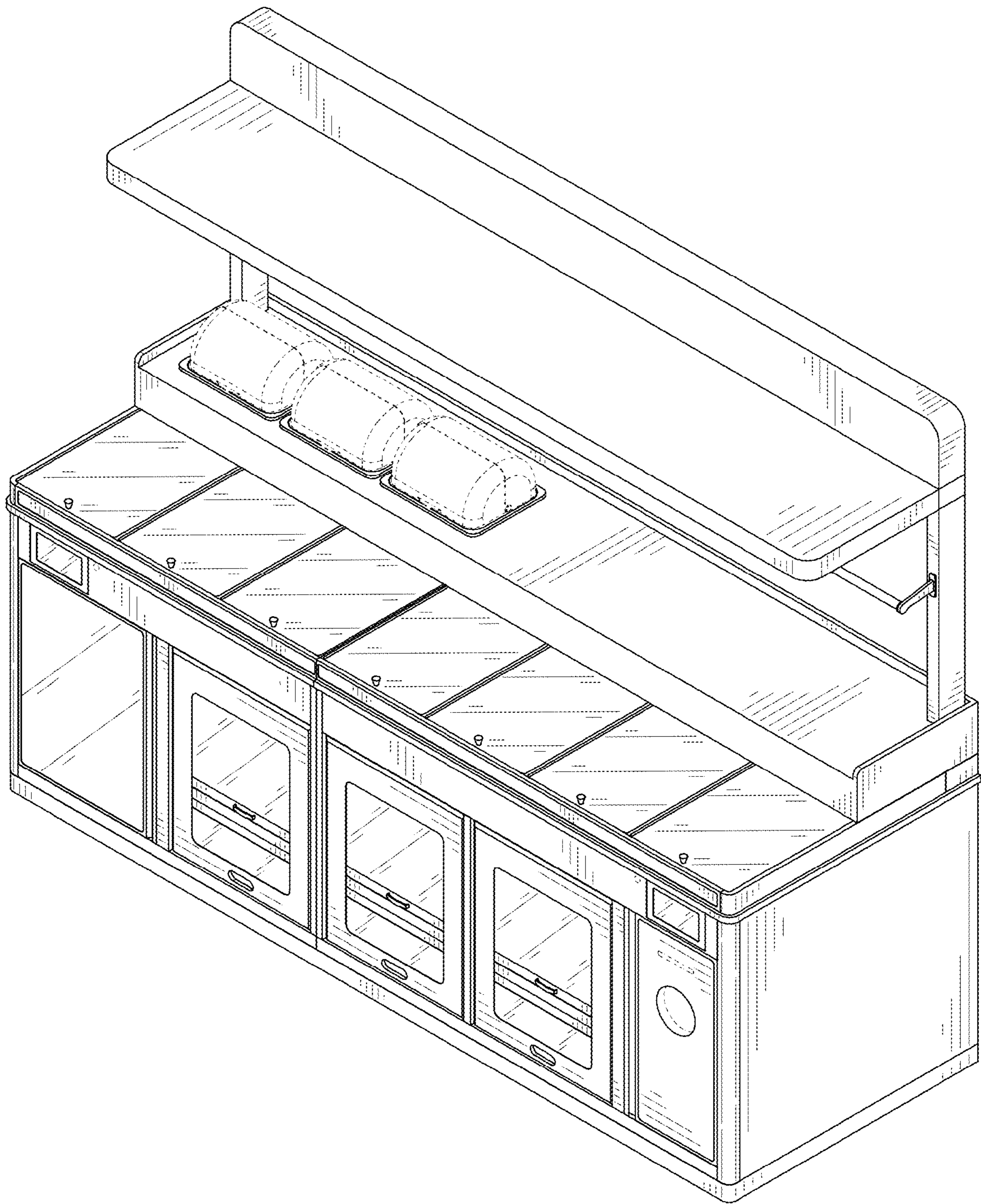


FIG. 10