



US00D917971S

(12) **United States Design Patent**
Bryant et al.

(10) **Patent No.:** **US D917,971 S**

(45) **Date of Patent:** **** May 4, 2021**

- (54) **CUP**
- (71) Applicant: **Ethyl Ambrosia LLC**, Austin, TX (US)
- (72) Inventors: **DeAnna Bryant**, Austin, TX (US); **Gill Martinez**, Aurora, CO (US)
- (73) Assignee: **Ethyl Ambrosia LLC**, Austin, TX (US)
- (**) Term: **15 Years**
- (21) Appl. No.: **29/706,904**
- (22) Filed: **Sep. 24, 2019**
- (51) **LOC (13) Cl.** **07-01**
- (52) **U.S. Cl.**
USPC **D7/524; D7/507**
- (58) **Field of Classification Search**
USPC D7/507, 509, 510, 511, 513, 529, 531,
D7/532, 523, 524, 533, 534, 535, 536,
D7/392.1, 396.1, 396.2, 300.1, 608, 300,
D7/320, 624.1, 624.2, 667; D3/202;
D9/501, 502, 503, 504, 505, 530, 529,
D9/522, 554, 567, 571, 569, 449, 516,
D9/523, 524, 543, 565, 575, 556, 454,
D9/446
CPC A47G 19/22; A47G 19/2288; A47G
19/2205; A47G 19/2211; A47J 41/0077;
A45F 3/16
See application file for complete search history.

(56) **References Cited**

U.S. PATENT DOCUMENTS

- D62,229 S * 4/1923 Magee D7/558
- 3,045,855 A * 7/1962 Lipman F21V 35/00
215/377
- D196,446 S * 10/1963 Curning D7/524

- D217,001 S * 3/1970 Stone D7/524
- D701,731 S * 4/2014 McClellan D7/524
- D724,899 S * 3/2015 Feller D7/558
- D808,217 S * 1/2018 Cates D7/507
- 2006/0246187 A1 11/2006 Egolf et al.
- 2017/0369198 A1 12/2017 Levy

OTHER PUBLICATIONS

https://www.amazon.com/Get-Shatterproof-Plastic-Margarita-SW-1432-1-CL-EC/dp/B07D9ZBWC5/ref=redir_mobile_desktop?ie=UTF8&aaxitk=ycYvgTX1O8T1Grnx5fcJKg&hsa_cr_id=3094270850601&ref=sbx_be_s_sparkle_mcd_asin_2 (Year: 2018).*

https://www.amazon.com/Toasted-Drinkware-Premium-Plastic-Champagne/dp/B06XG3FFJ3/ref=sr_1_100?dchild=1&keywords=plastic+wine+goblet&qid=1602278771&s=industrial&sr=1-100 (Year: 2017).*

* cited by examiner

Primary Examiner — Jae Liang

(57) **CLAIM**

The ornamental design for a cup, as shown and described.

DESCRIPTION

FIG. 1 is a perspective view of a cup showing the new design;

FIG. 2 is a front view thereof;

FIG. 3 is a rear view thereof;

FIG. 4 is a right side view thereof;

FIG. 5 is a left side view thereof;

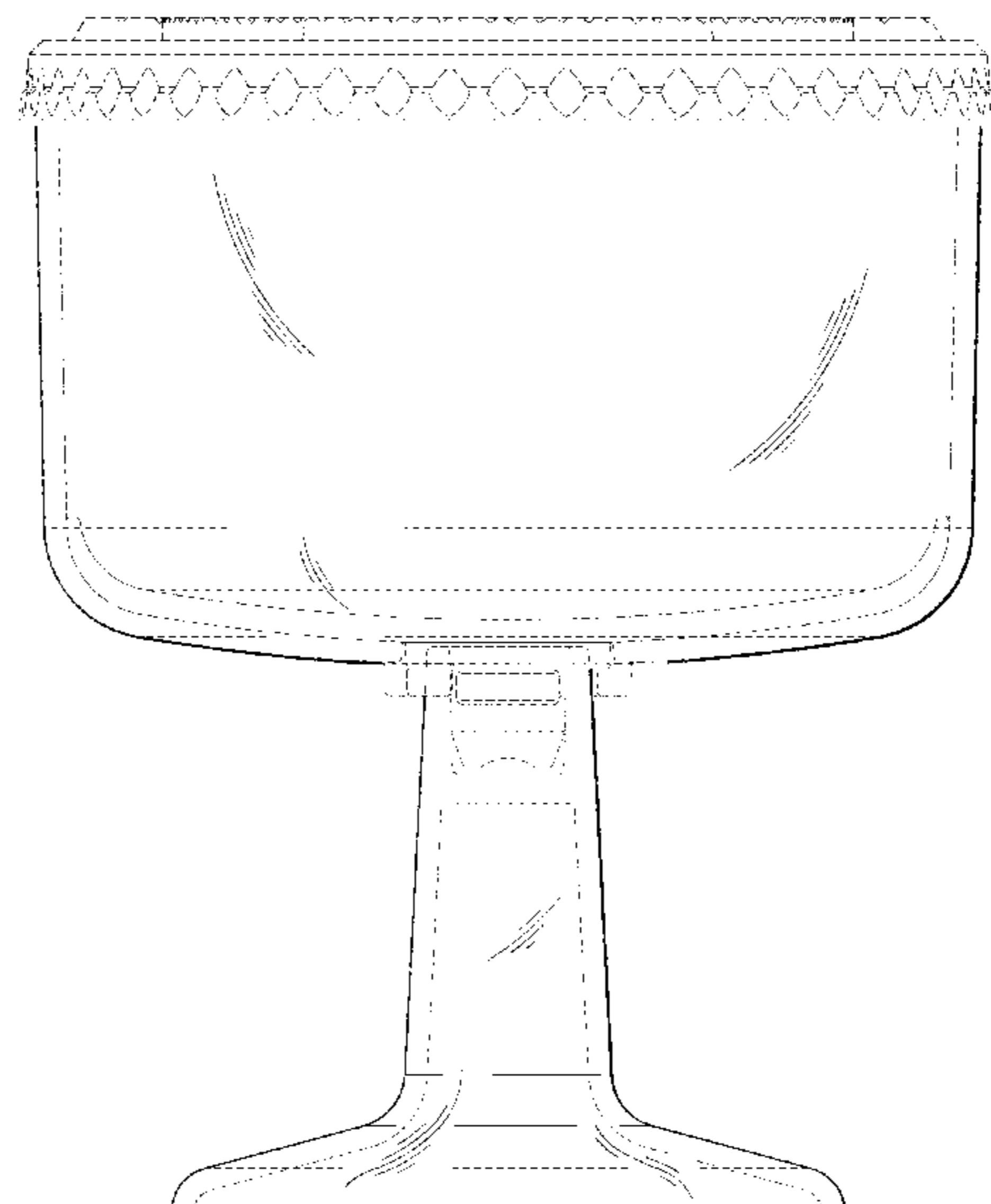
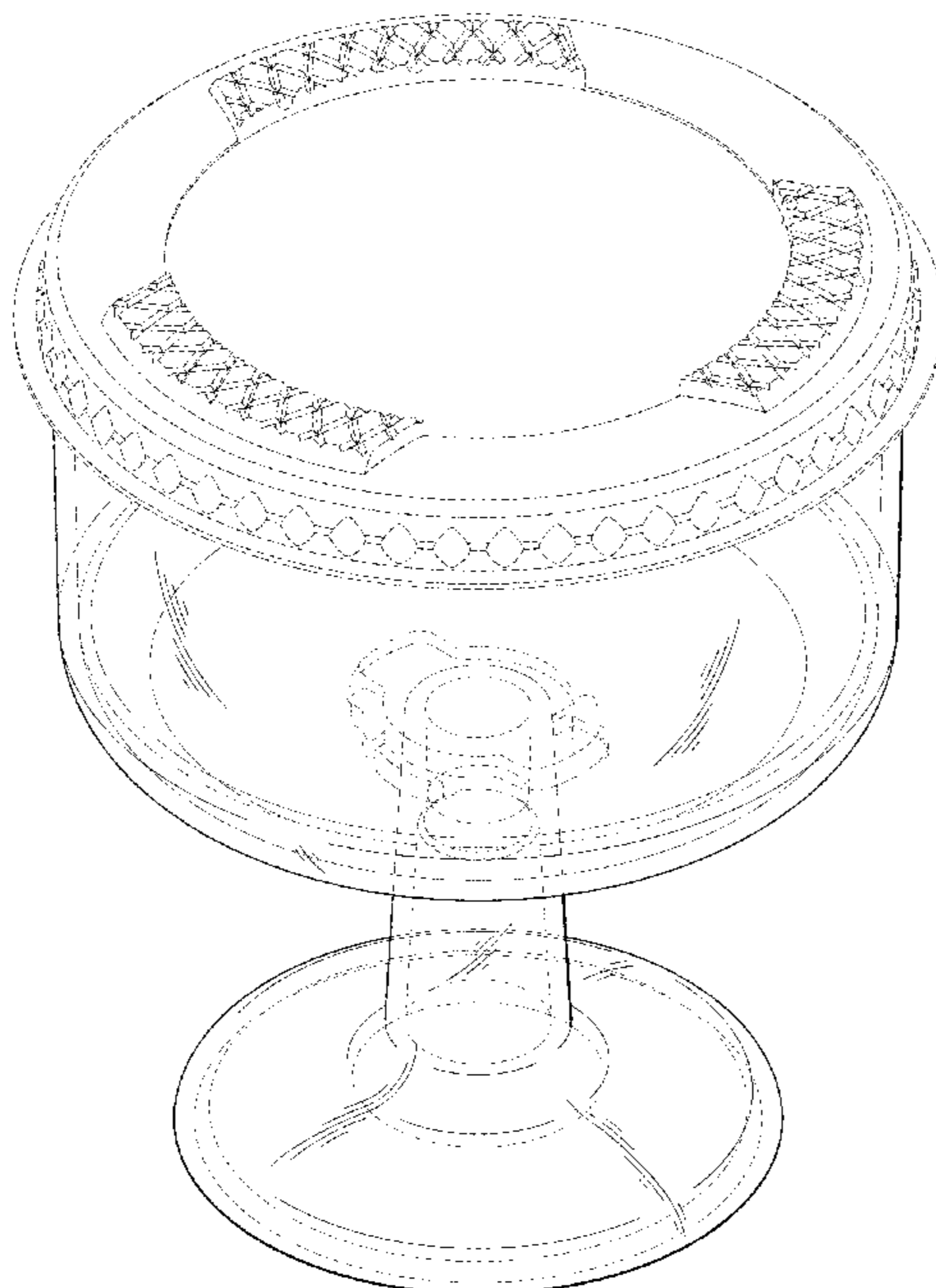
FIG. 6 is a top view thereof;

FIG. 7 is a bottom view thereof; and,

FIG. 8 is a perspective exploded view thereof.

The broken lines present in the drawings are included for the purpose of illustrating portions of the article which form no part of the claimed design.

1 Claim, 8 Drawing Sheets



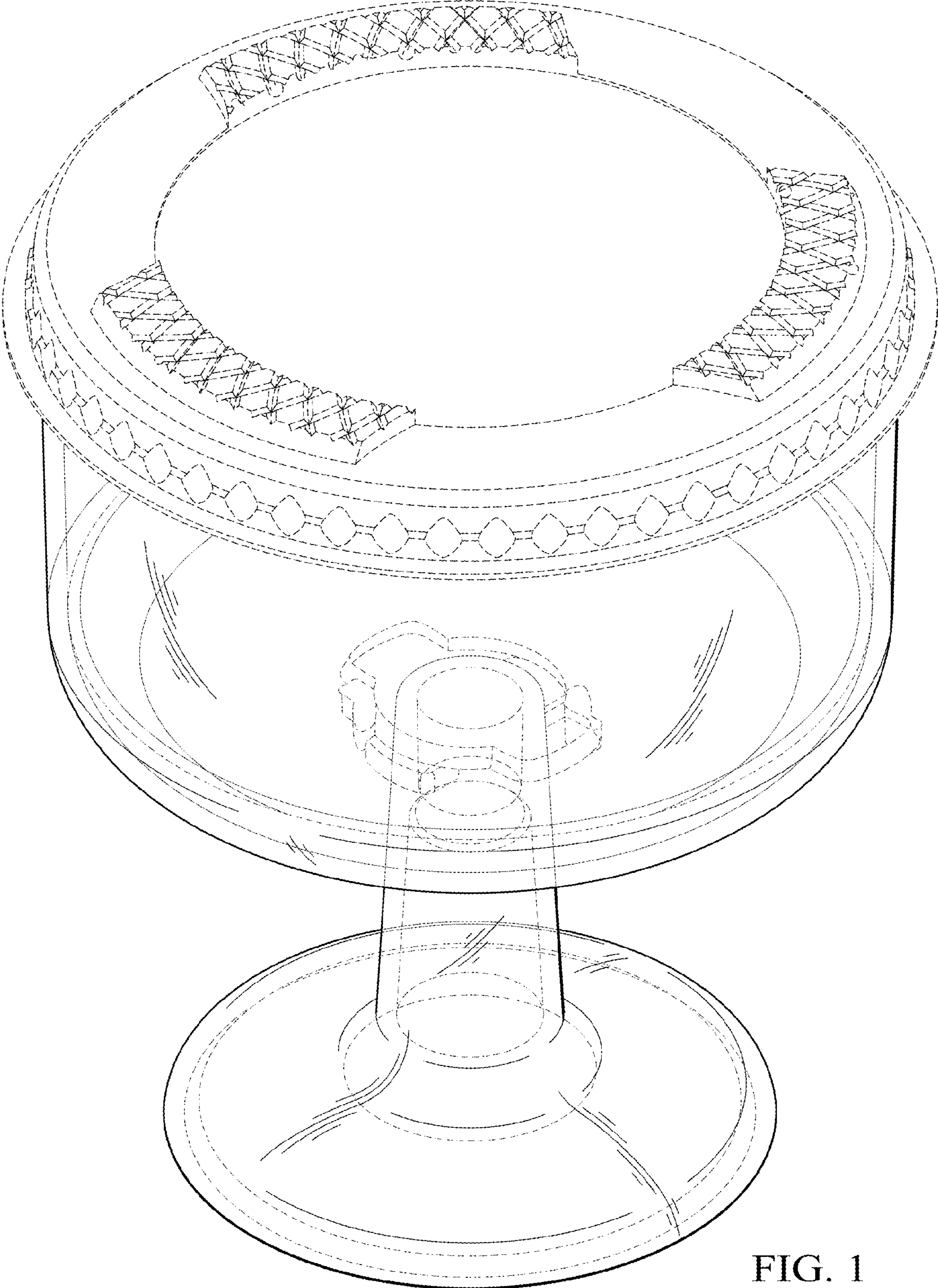


FIG. 1

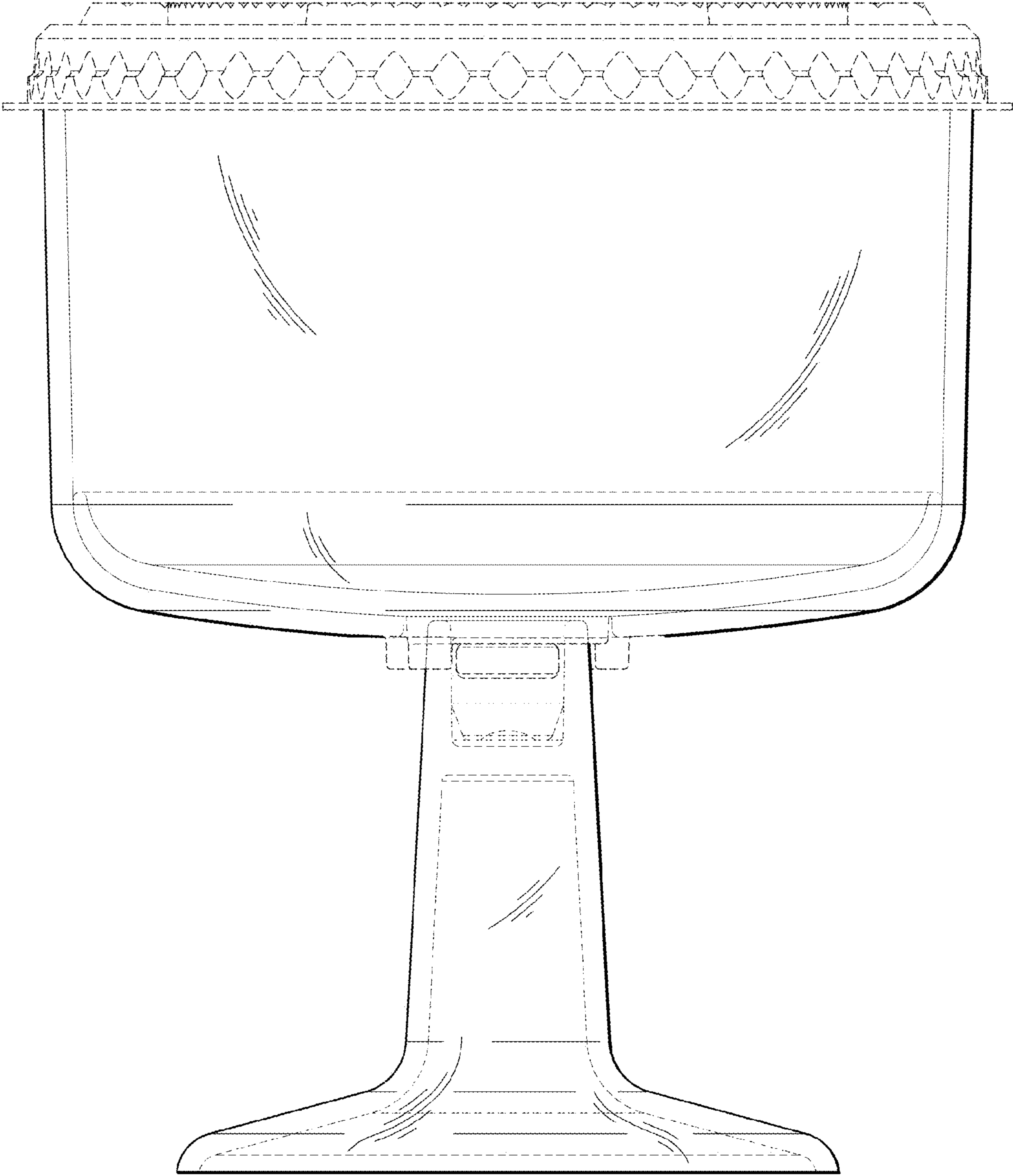


FIG. 2

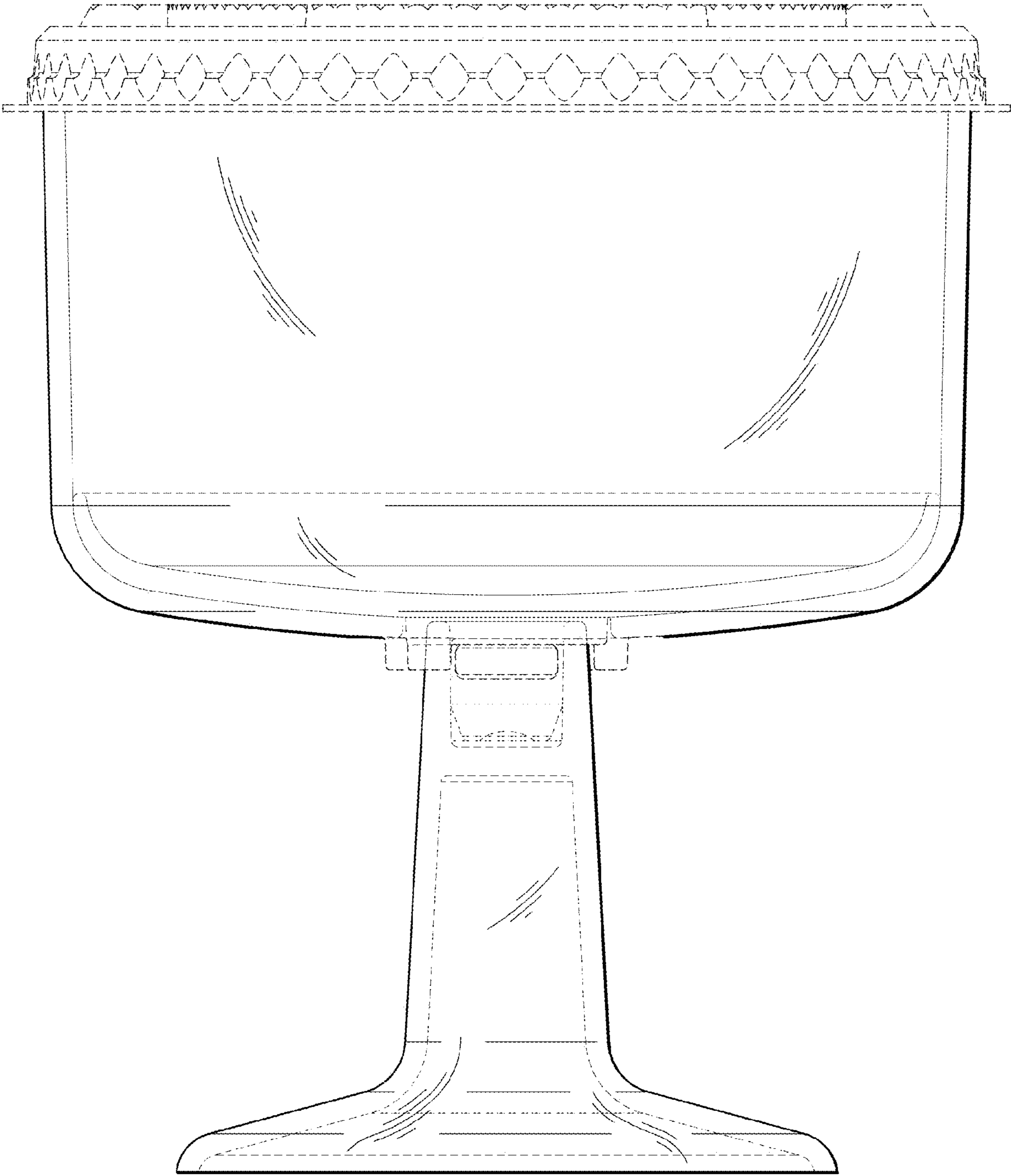


FIG. 3

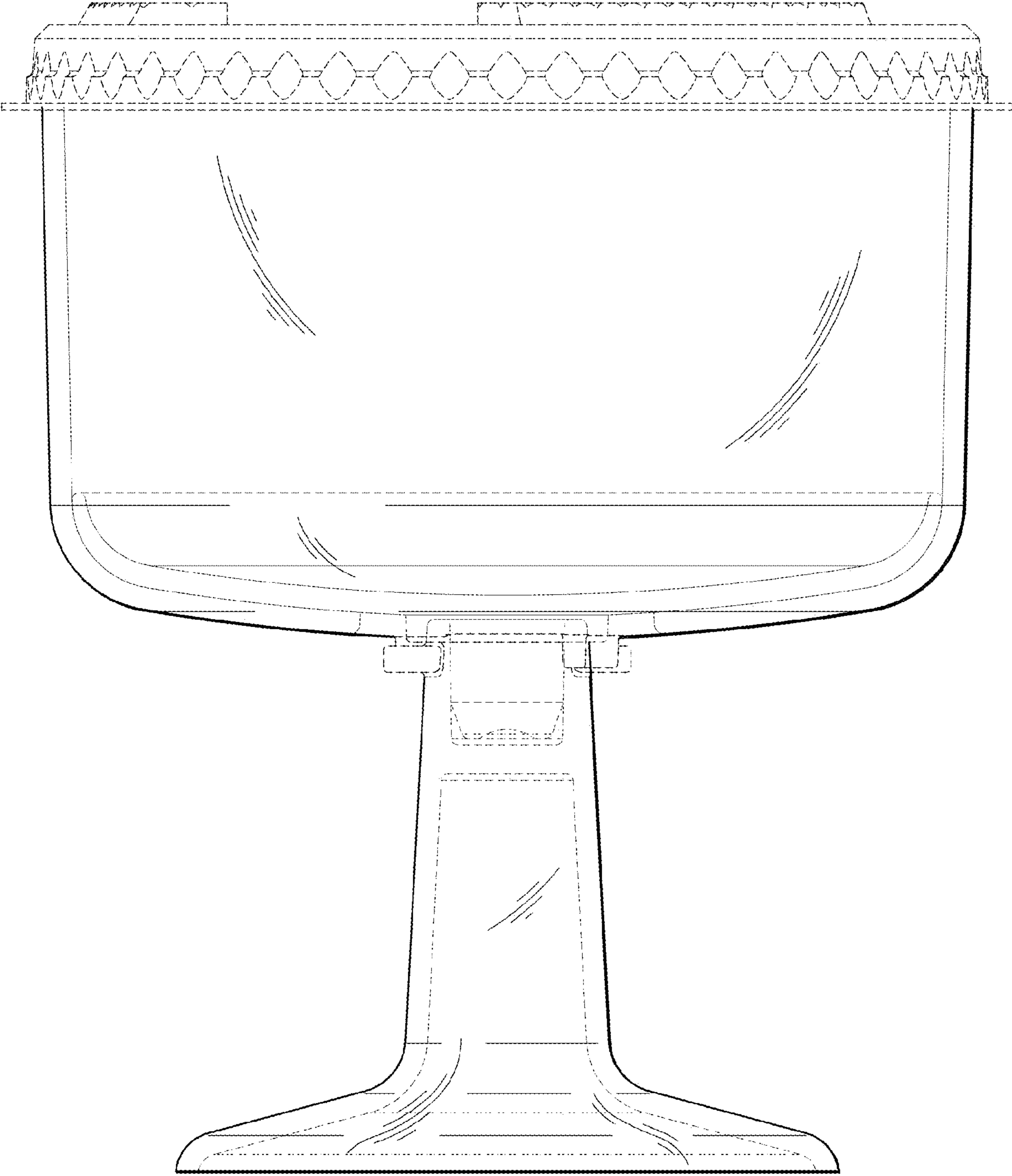


FIG. 4

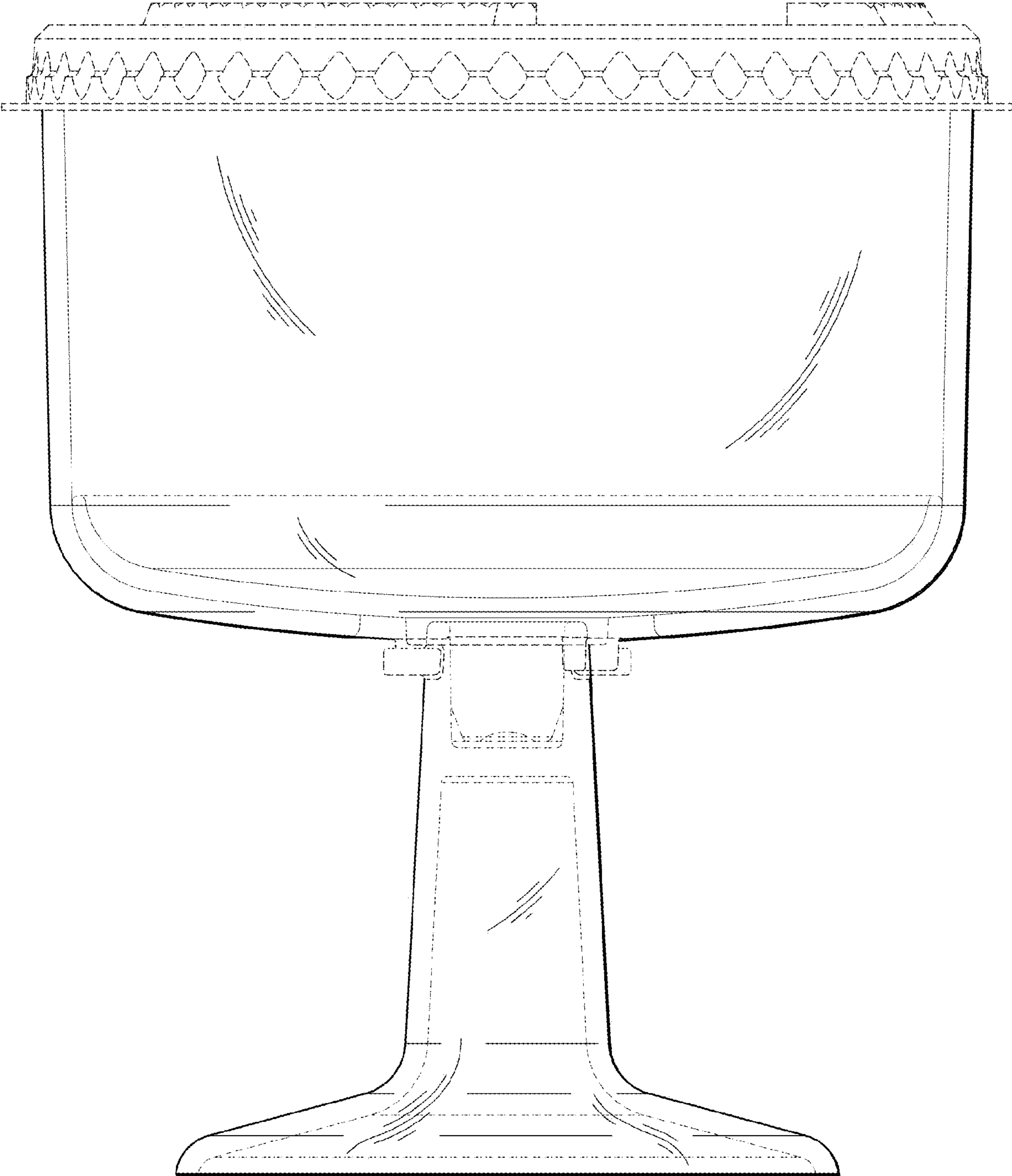


FIG. 5

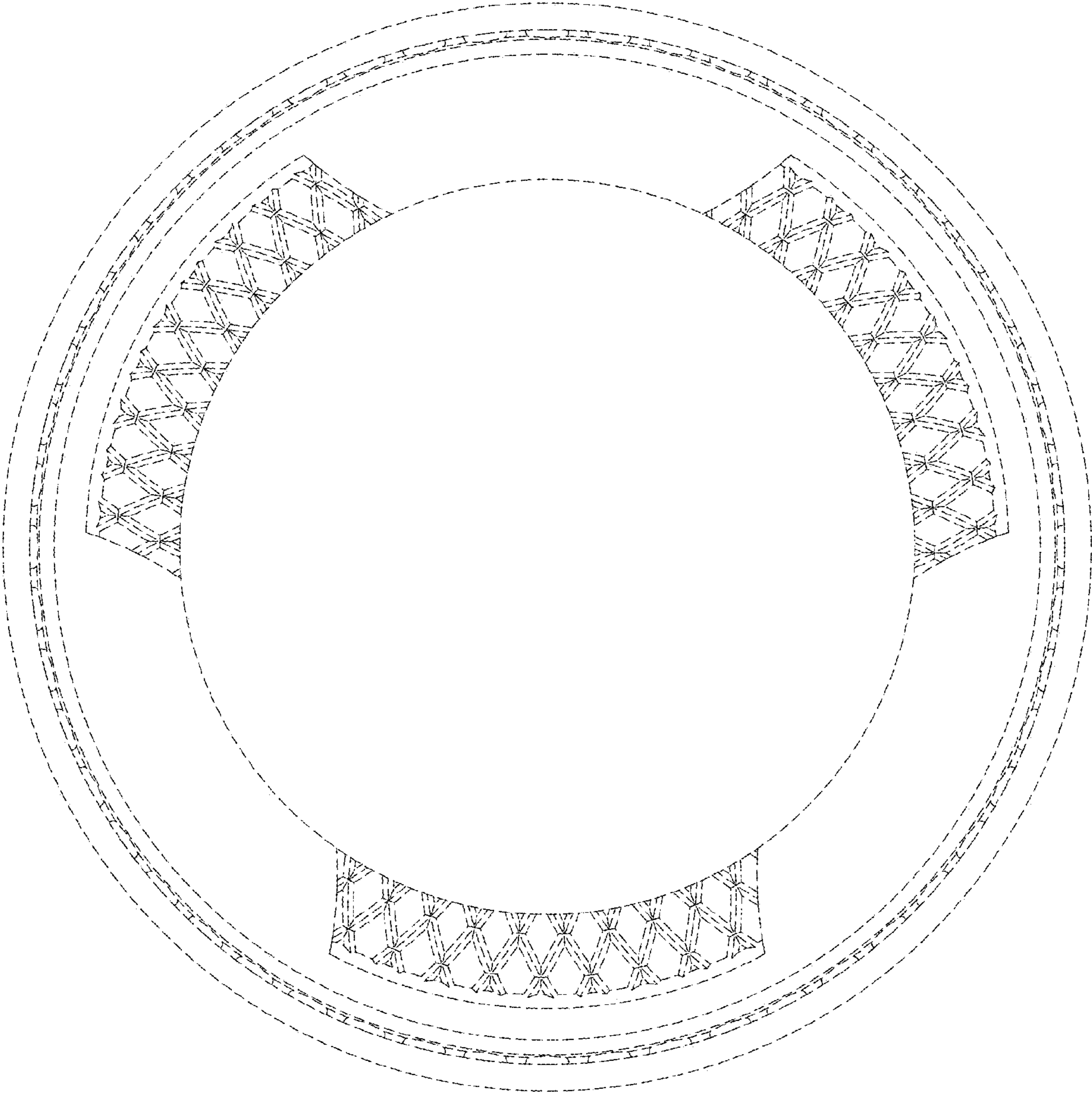


FIG. 6

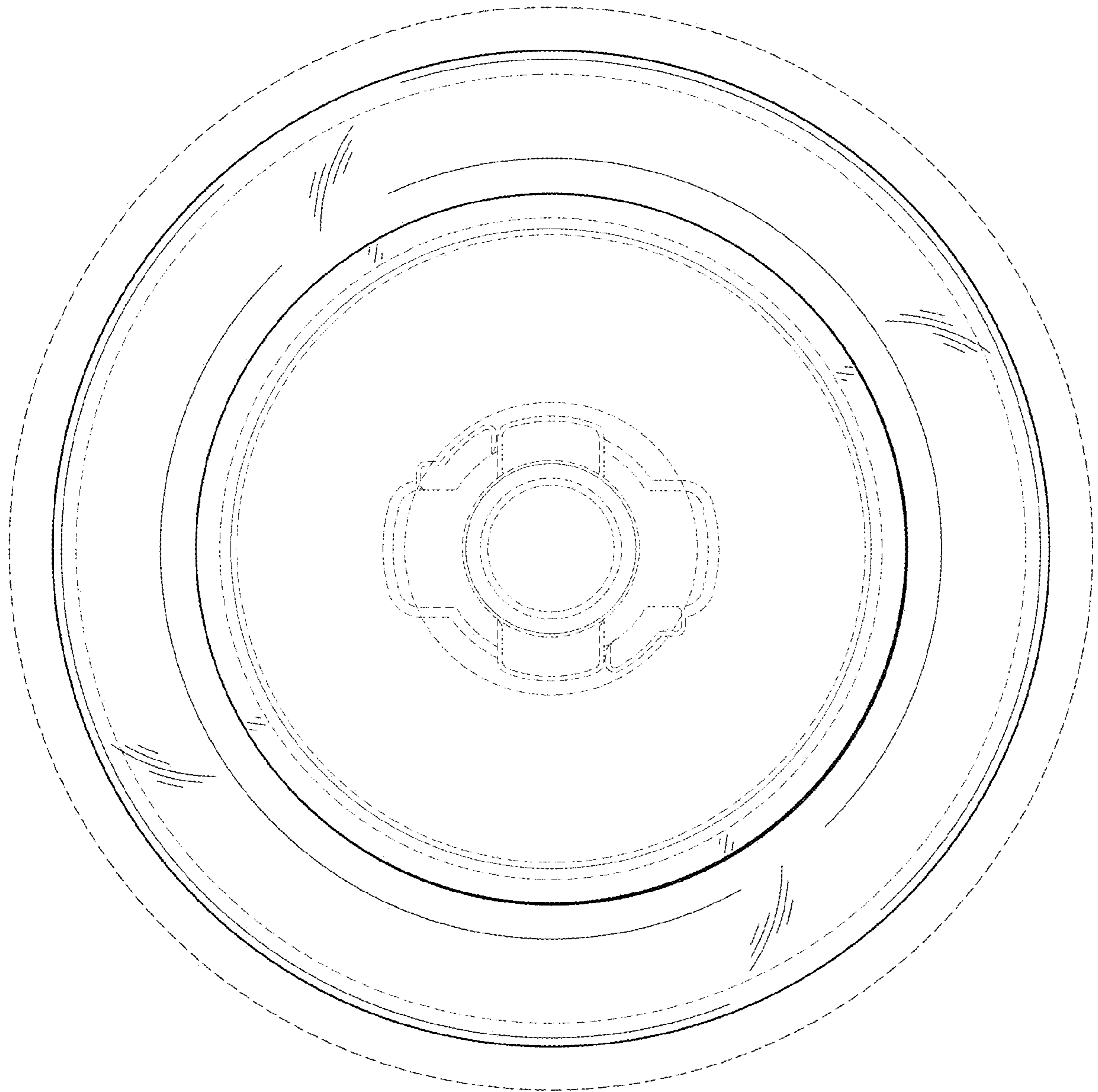


FIG. 7

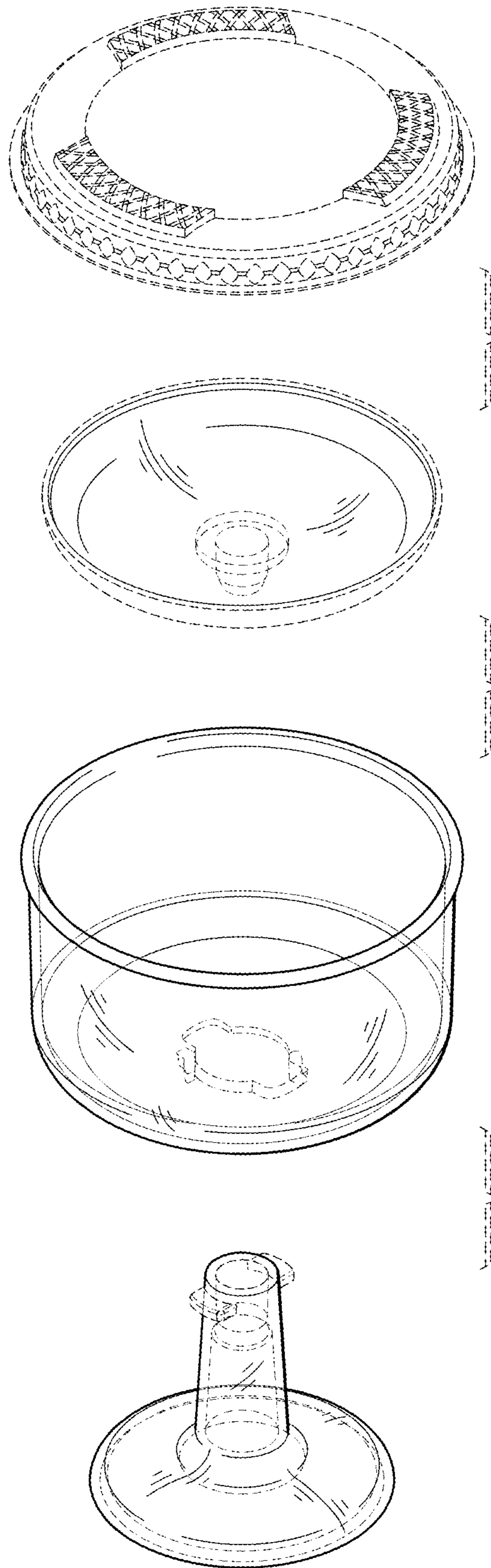


FIG. 8