



US00D917970S

(12) **United States Design Patent**  
**Bullock et al.**

(10) **Patent No.:** **US D917,970 S**  
(45) **Date of Patent:** **\*\* May 4, 2021**

(54) **TUMBLER**  
(71) Applicant: **YETI Coolers, LLC**, Austin, TX (US)  
(72) Inventors: **Dustin Bullock**, Austin, TX (US);  
**Colin Darling**, Austin, TX (US); **Liza Morris**, Austin, TX (US); **Mark Carlson Rane**, Austin, TX (US)

D469,658 S 2/2003 Norris et al.  
D471,064 S 3/2003 Renz  
D483,995 S \* 12/2003 Otake ..... D7/523  
D484,361 S 12/2003 Jeung  
D490,272 S 5/2004 Rohe  
(Continued)

(73) Assignee: **YETI Coolers, LLC**, Austin, TX (US)  
(\*\*) Term: **15 Years**

**FOREIGN PATENT DOCUMENTS**

CN 3658922 6/2007  
CN 300794415 6/2008  
(Continued)

(21) Appl. No.: **29/658,676**  
(22) Filed: **Aug. 1, 2018**  
(51) **LOC (13) Cl.** ..... **07-01**  
(52) **U.S. Cl.**  
USPC ..... **D7/523; D7/532**  
(58) **Field of Classification Search**  
USPC ..... D7/507, 509, 510, 511, 529, 531, 532,  
D7/523, 533, 534, 535, 536, 392.1, 296.1,  
D7/396.2, 300.1, 608; D3/202; D9/500,  
D9/531, 516, 517, 549  
CPC ..... A47G 19/22; A47G 19/2288; A47G  
19/2205; A47J 41/0077; A47J 41/0088  
See application file for complete search history.

**OTHER PUBLICATIONS**

[https://www.amazon.com/Simple-Modern-Slim-Cruiser-Tumbler/dp/B07D4BG4T8/ref=sr\\_1\\_28?dchild=1&keywords=hydro+flask+tumbler&qid=1594246683&sr=8-28](https://www.amazon.com/Simple-Modern-Slim-Cruiser-Tumbler/dp/B07D4BG4T8/ref=sr_1_28?dchild=1&keywords=hydro+flask+tumbler&qid=1594246683&sr=8-28) (Year: 2018).\*  
(Continued)

*Primary Examiner* — Jae Liang  
(74) *Attorney, Agent, or Firm* — Banner & Witcoff, Ltd.

(57) **CLAIM**

The ornamental design for a tumbler, as shown and described.

**DESCRIPTION**

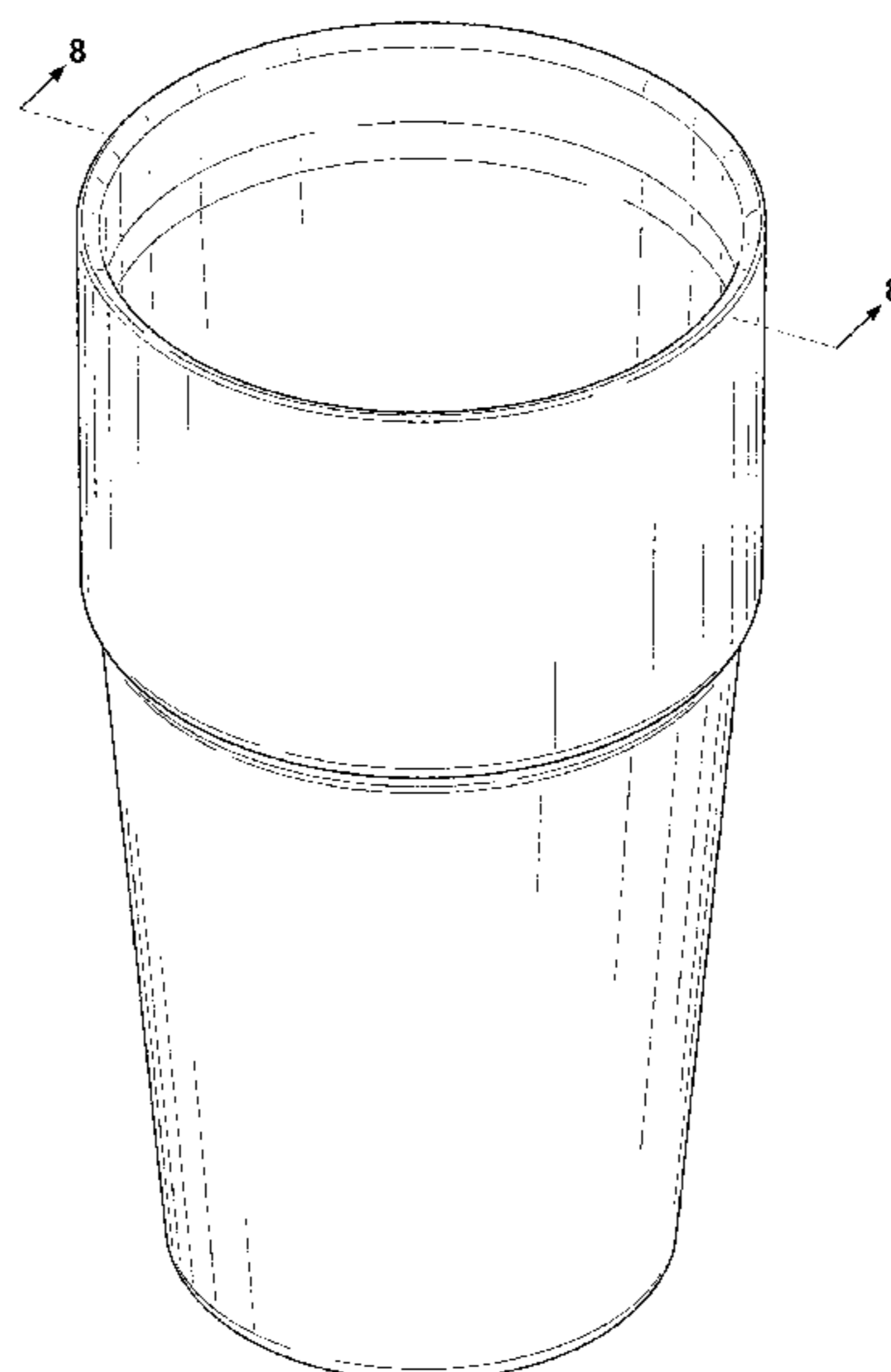
FIG. 1 is a top, front, right perspective view of a tumbler showing our new design;  
FIG. 2 is a front view thereof;  
FIG. 3 is a right side view thereof;  
FIG. 4 is a rear view thereof;  
FIG. 5 is a left side view thereof;  
FIG. 6 is a top view thereof;  
FIG. 7 is a bottom view thereof;  
FIG. 8 is a cross-sectional view at 8-8 in FIG. 1 thereof; and,  
FIG. 9 is a cross-sectional view at 9-9 in FIG. 6 thereof.  
The broken lines depicting the remainder of the tumbler show features that form no part of the claimed design.

(56) **References Cited**

**U.S. PATENT DOCUMENTS**

604,514 A 5/1898 Belden  
D114,568 S \* 5/1939 Viatour ..... D7/523  
3,118,560 A \* 1/1964 Cornelius ..... A47J 41/0077  
220/592.22  
3,223,305 A 12/1965 Edwards  
3,648,888 A 3/1972 Cheladze  
4,111,303 A 9/1978 Compton  
4,420,081 A 12/1983 Dart  
D416,757 S 11/1999 Ginuntoli  
6,065,603 A \* 5/2000 Filice ..... A47G 19/23  
206/217  
D469,306 S 1/2003 Lipson

**1 Claim, 8 Drawing Sheets**



(56)

References Cited

U.S. PATENT DOCUMENTS

D537,677 S 3/2007 Bresler  
 D546,125 S \* 7/2007 Bhavnani ..... D7/523  
 D555,430 S 11/2007 Tien  
 D568,685 S \* 5/2008 Bodum ..... D7/500  
 D631,699 S 2/2011 Moreau  
 D658,922 S 5/2012 Fallon et al.  
 8,714,348 B2 5/2014 Vargas  
 D717,115 S 11/2014 Lane et al.  
 D729,581 S 5/2015 Boroski  
 D729,586 S 5/2015 Nemeth et al.  
 D743,209 S 11/2015 Maas et al.  
 D744,286 S 12/2015 Morris, II et al.  
 D747,925 S \* 1/2016 Engler ..... D7/512  
 D751,345 S 3/2016 Lane et al.  
 9,321,555 B2 4/2016 Roodnat et al.  
 D756,705 S 5/2016 Abrams et al.  
 D757,496 S 5/2016 Julier et al.  
 D757,497 S \* 5/2016 Bodum ..... D7/523  
 D763,043 S 8/2016 Stevens  
 D769,069 S 10/2016 Sanbar  
 D770,852 S 11/2016 Vu et al.  
 D770,853 S 11/2016 Gschwandtl et al.  
 D774,827 S \* 12/2016 Miller ..... D7/523  
 D781,103 S 3/2017 Karussi  
 D789,156 S 6/2017 Engler et al.  
 D791,543 S 7/2017 Mulhauser et al.  
 D793,809 S 8/2017 Bodum  
 D795,643 S 8/2017 Barlow  
 D796,905 S 9/2017 Kestenbaum  
 D797,510 S 9/2017 Ke  
 D798,112 S 9/2017 Godsey  
 D799,268 S \* 10/2017 Gschwandtl ..... D7/509  
 D802,998 S \* 11/2017 Oshipitan ..... D7/507  
 D808,218 S 1/2018 Seiders et al.  
 D808,722 S \* 1/2018 Hill ..... D7/510  
 D810,511 S 2/2018 Harrington, III et al.  
 D811,817 S 3/2018 Harrington, III et al.  
 D813,606 S 3/2018 O’Nan et al.  
 D814,240 S 4/2018 Kabalin  
 9,975,674 B2 5/2018 Shapiro  
 D819,406 S 6/2018 Rivera  
 D821,151 S \* 6/2018 Lapsker ..... D7/511  
 D827,378 S 9/2018 Mulhauser et al.  
 D827,379 S 9/2018 Mulhauser et al.  
 D828,724 S 9/2018 Wall  
 D830,770 S 10/2018 Verhoeven  
 D833,817 S \* 11/2018 Sletten ..... D7/510

2013/0319894 A1\* 12/2013 Vargas ..... A47G 19/2227  
 206/459.5  
 2015/0122688 A1 5/2015 Dias et al.  
 2017/0095120 A1\* 4/2017 Tolman ..... B65D 25/2817  
 2017/0318992 A1\* 11/2017 Cohara ..... A47G 19/2266  
 2018/0228314 A1 8/2018 Putnam  
 2018/0257818 A1 9/2018 Kuze

FOREIGN PATENT DOCUMENTS

CN	301165429	3/2010
CN	301990812	7/2012
CN	303140301	3/2015
CN	303223106	5/2015
CN	303223155	5/2015
CN	303223156	5/2015
CN	303229896	6/2015
CN	303229897	6/2015
CN	303229898	6/2015
CN	303237155	6/2015
CN	303304733	7/2015
CN	303365143	9/2015
CN	205274113 U	6/2016
CN	303697540	6/2016
CN	303801888	8/2016
CN	304729608	7/2018
CN	207956318 U	10/2018
CN	304924259	12/2018
CN	304955722	12/2018
CN	304966000	12/2018
EM	003007087-0004	5/2016
EM	303993526-0001	5/2017
EM	304089894-0024	7/2017
EM	304089894-0026	7/2017
JP	HJ19019156	5/2007
JP	HJ1901915600 S	5/2007
KR	30-0716702 S	1/2013
KR	30-0716702	11/2013
WO	13159139 A1	10/2013

OTHER PUBLICATIONS

[https://www.amazon.com/Stainless-Steel-Tumbler-Insulated-Greens/dp/B01DQNHQ6?ref\\_ast\\_sto\\_dp](https://www.amazon.com/Stainless-Steel-Tumbler-Insulated-Greens/dp/B01DQNHQ6?ref_ast_sto_dp) (Year: 2016).\*  
 Nov. 18, 2019 (JP) OA—App. No. 2019-002024.  
 Jun. 24, 2020 (JP) OA—App. No. 2019-002024.  
 Nov. 9, 2020—(CA) Examination Report—App. No. 185906.

\* cited by examiner

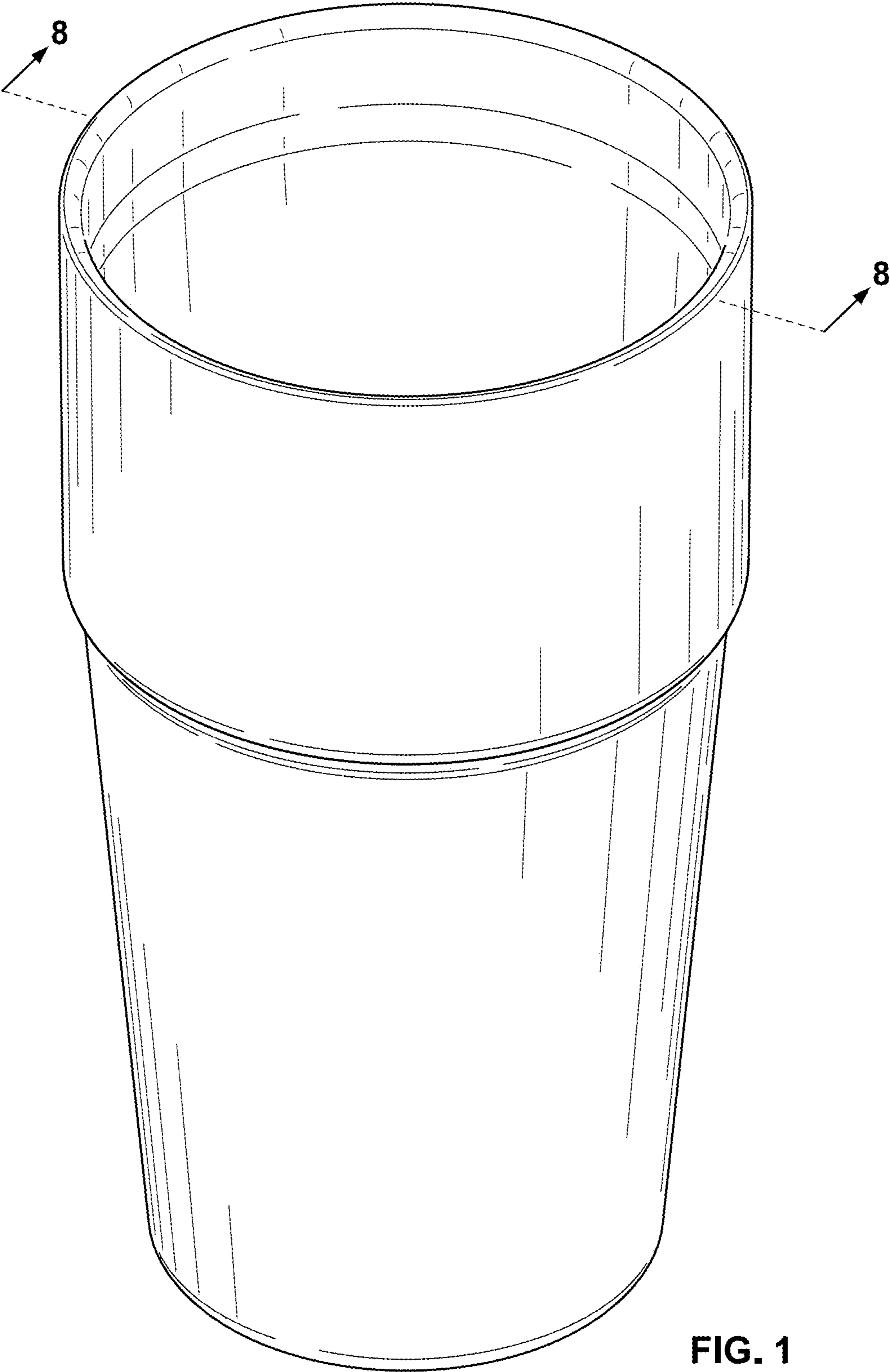


FIG. 1

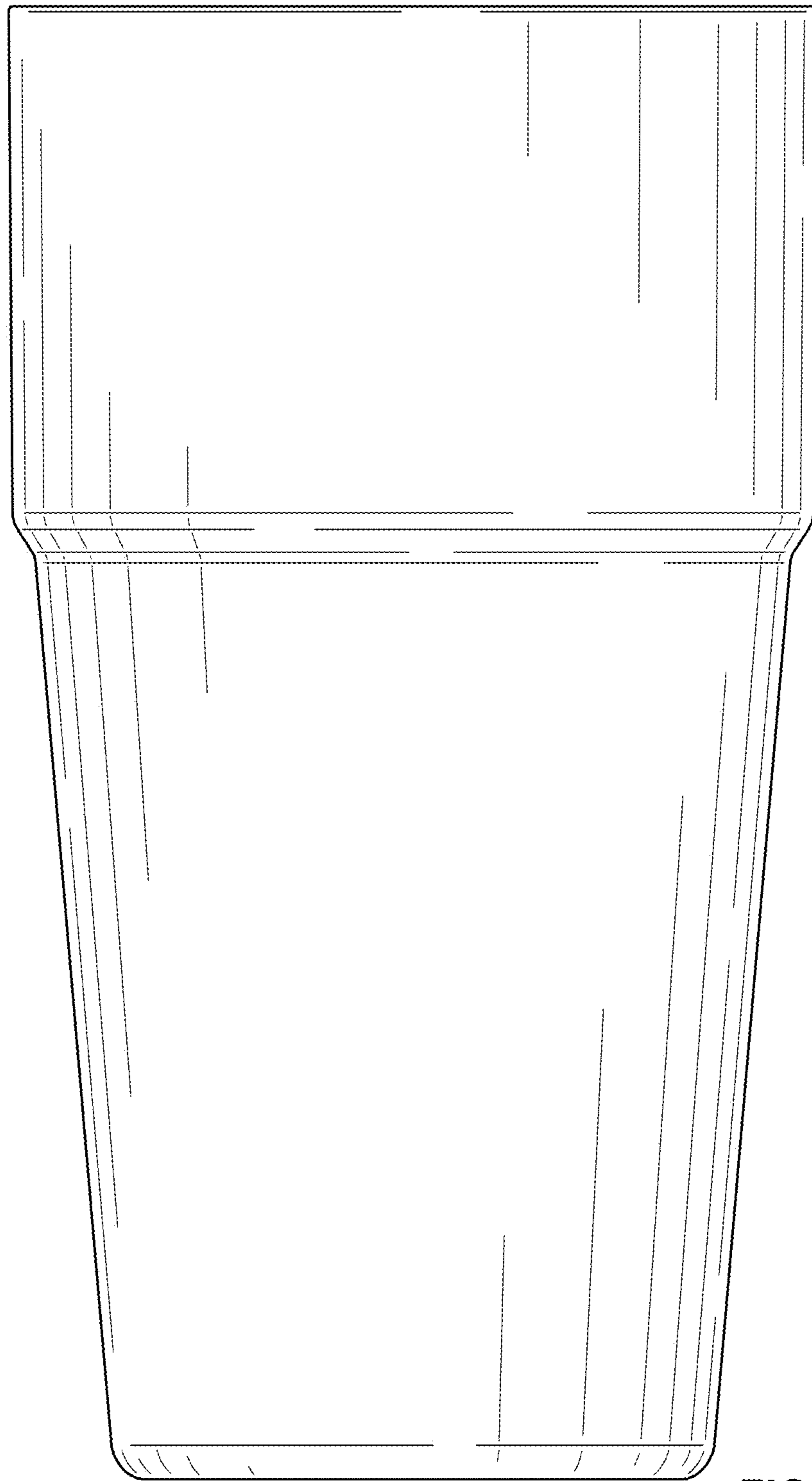


FIG. 2

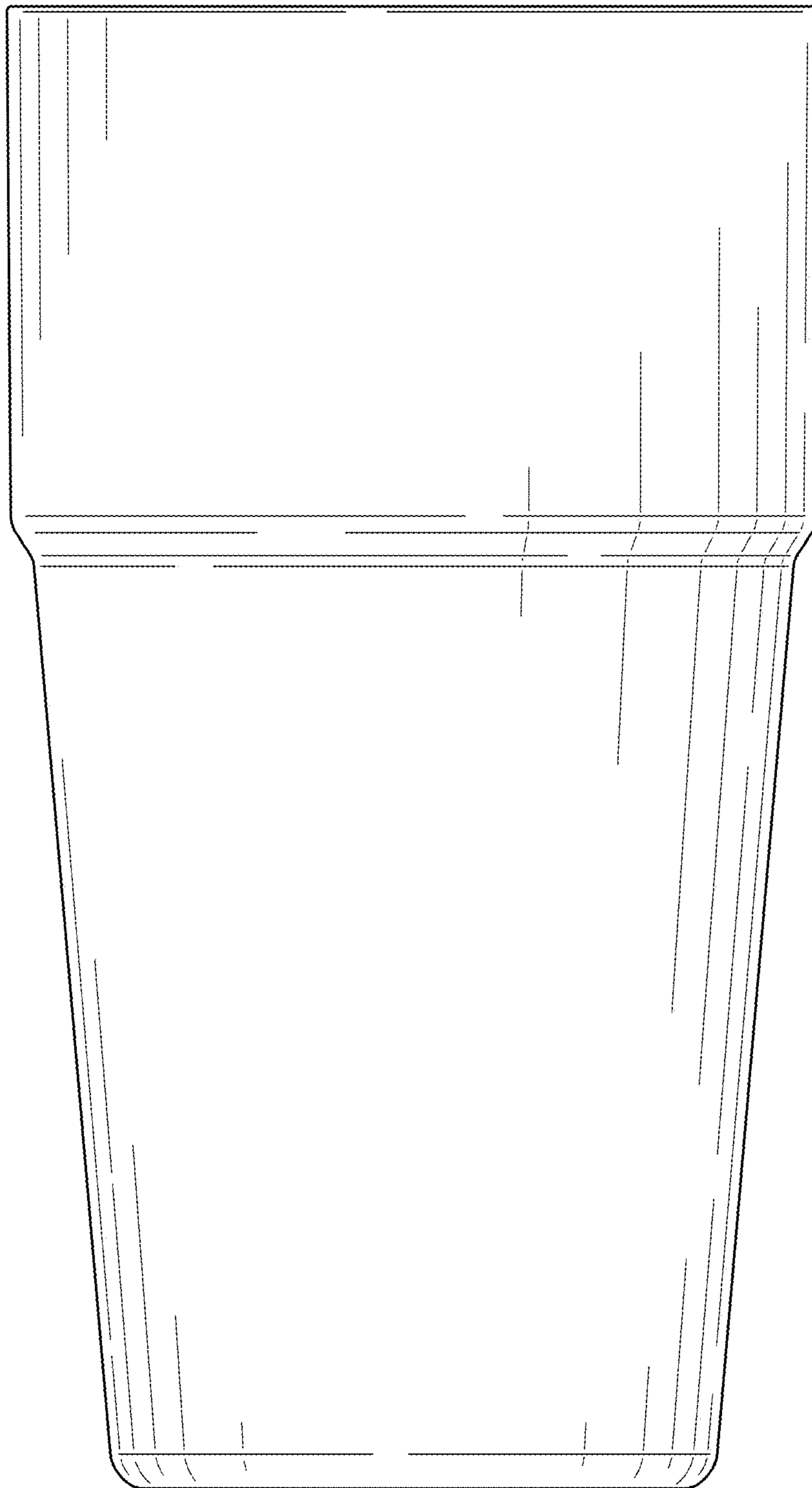


FIG. 3

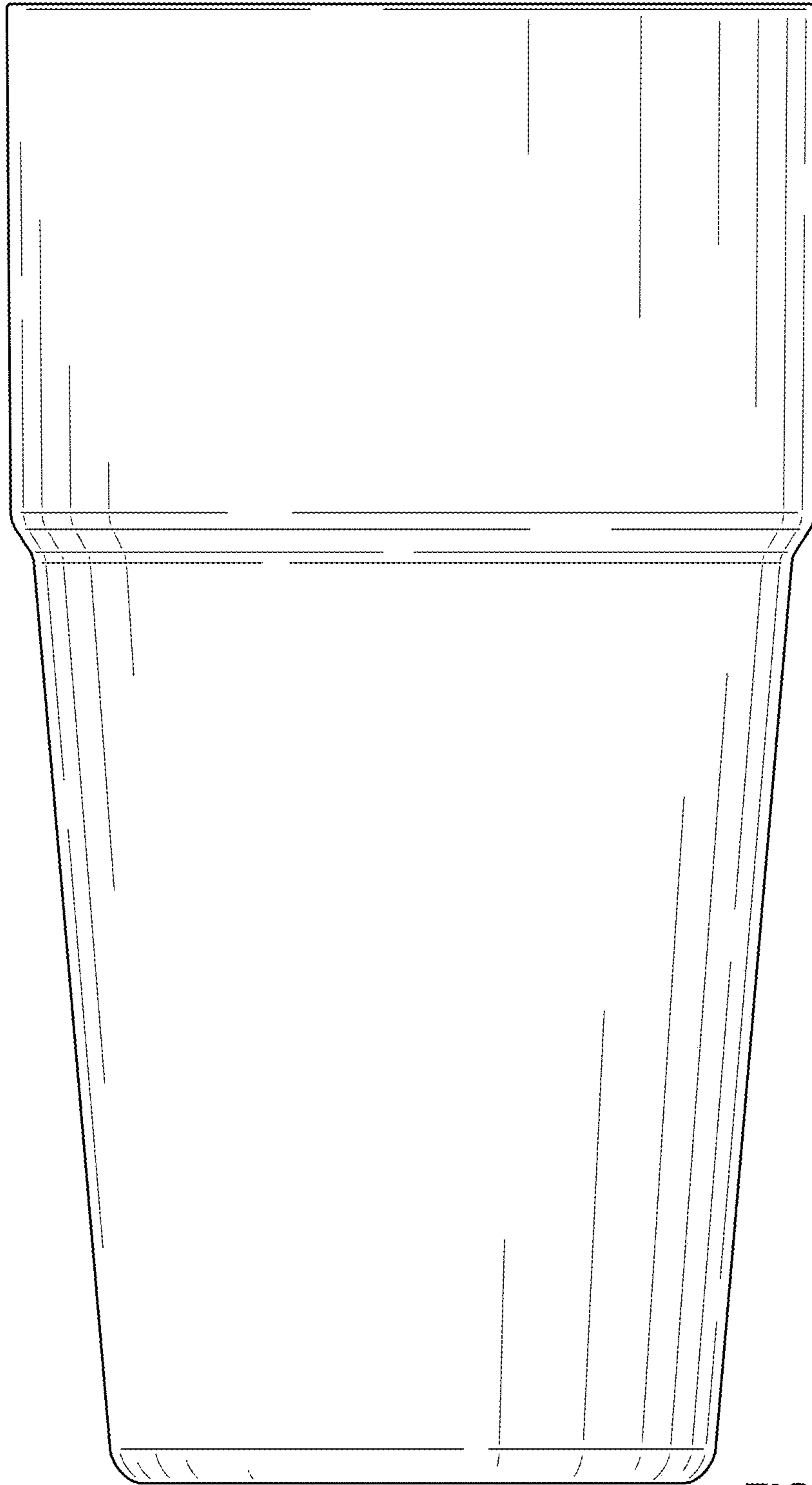
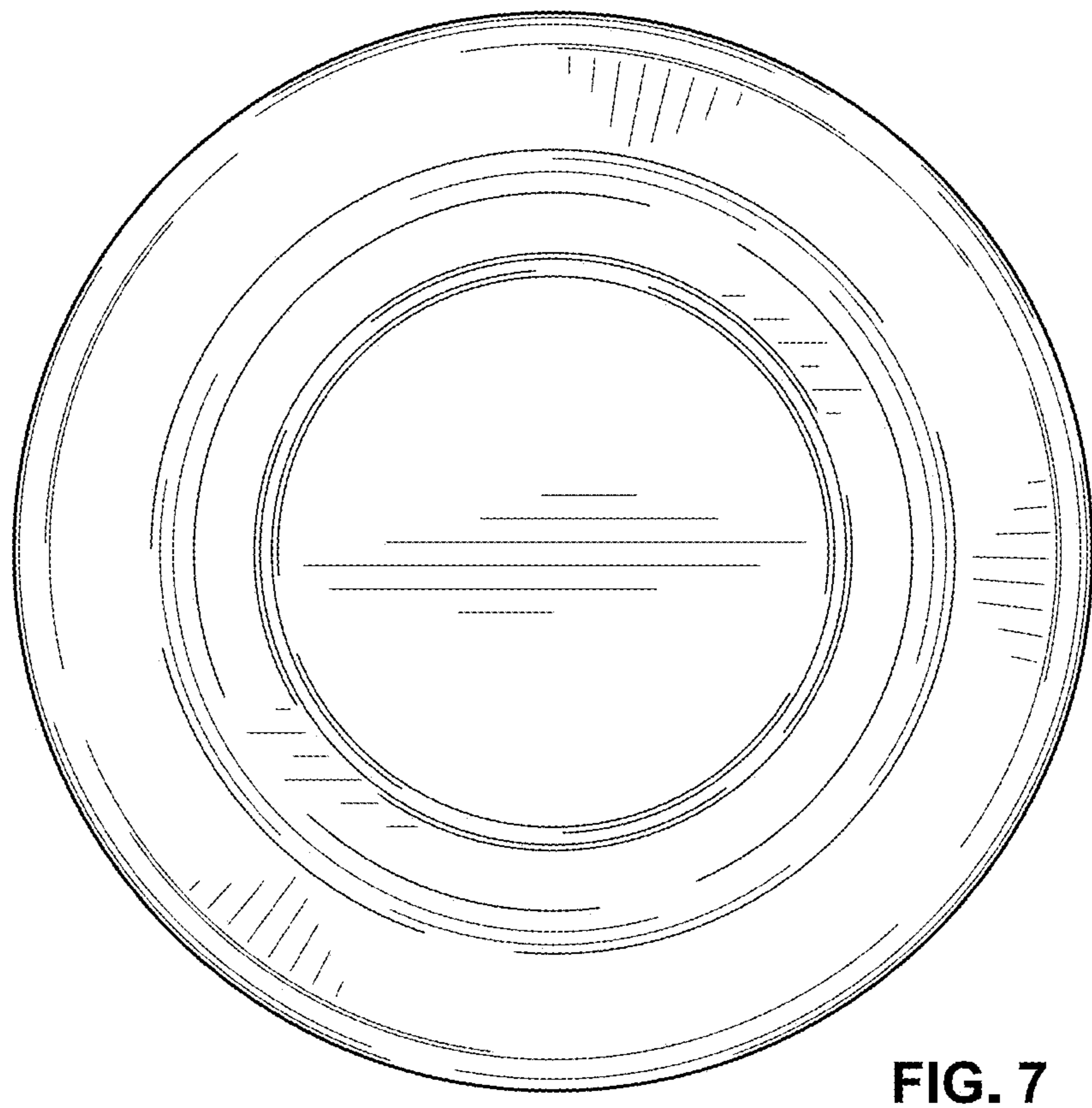
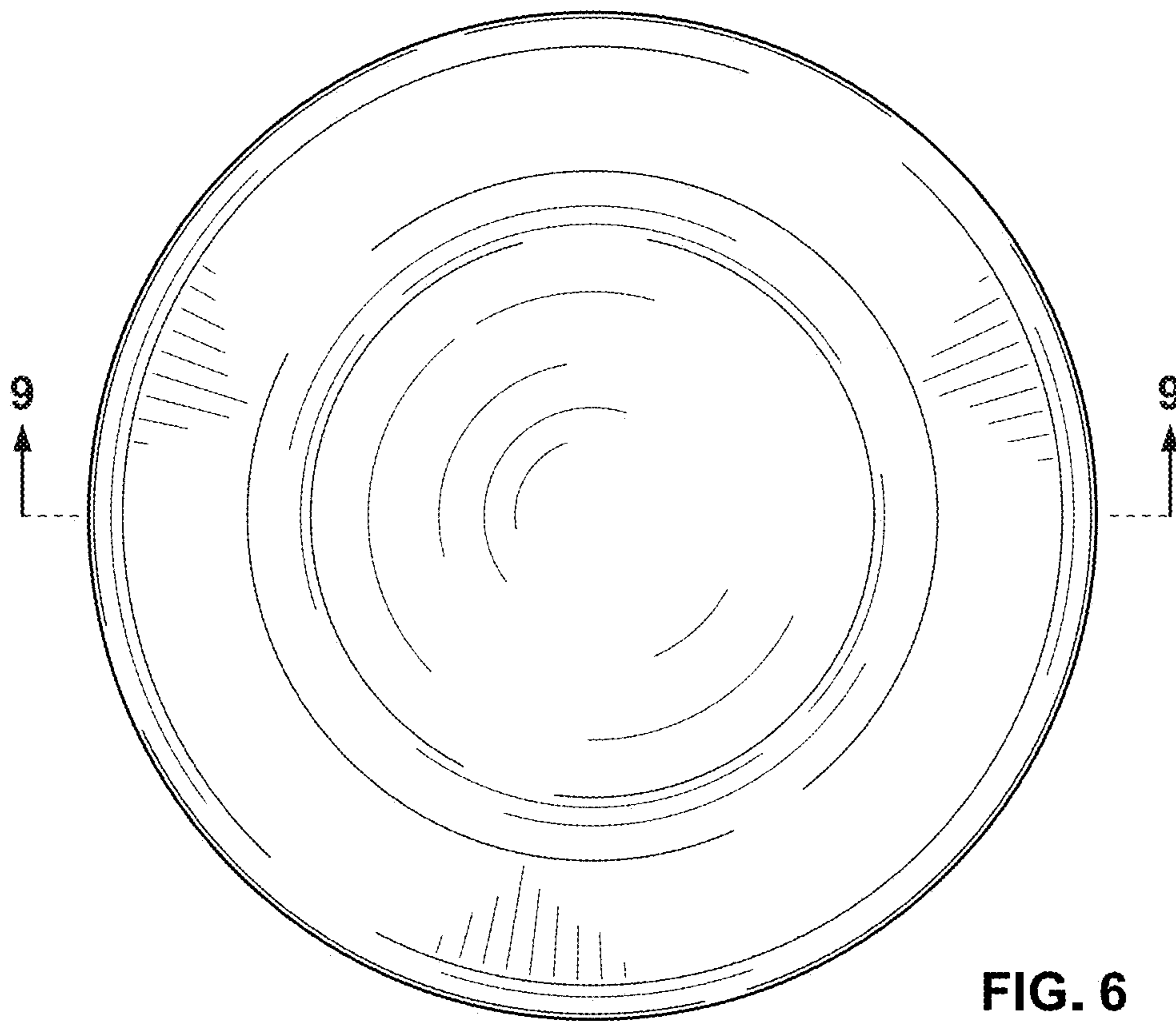


FIG. 4



FIG. 5





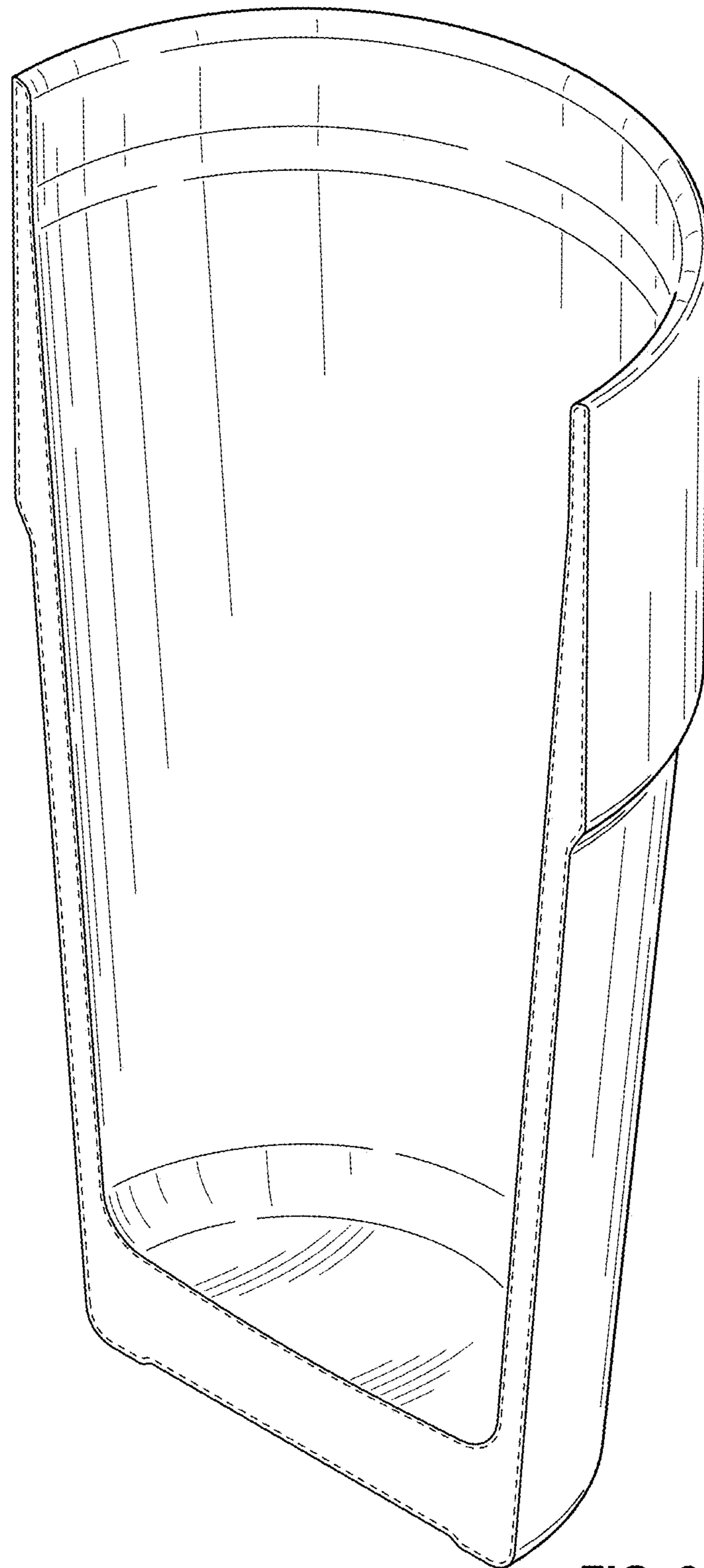


FIG. 8

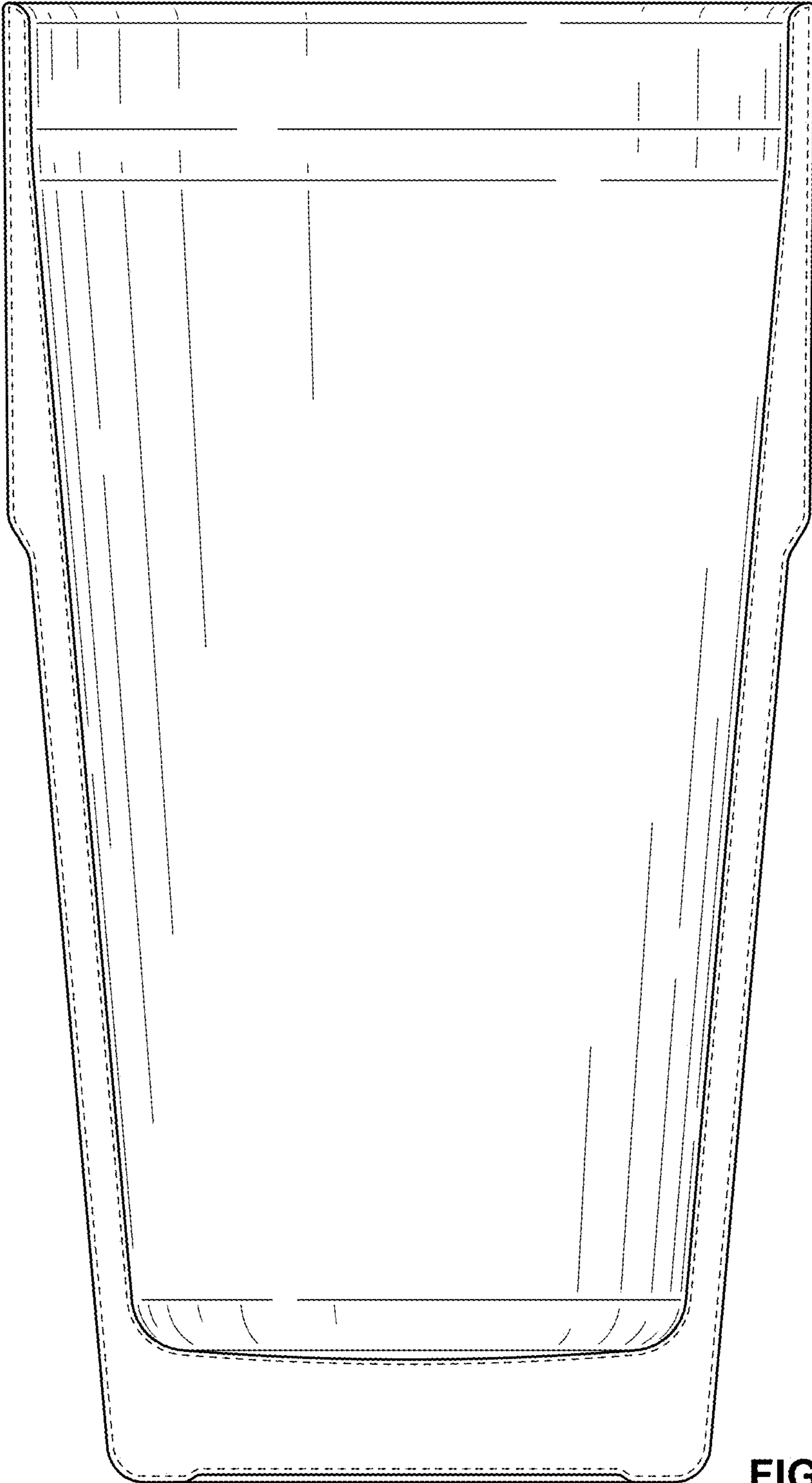


FIG. 9