

US00D917967S

(12) **United States Design Patent** (10) **Patent No.:** **US D917,967 S**
Ting et al. (45) **Date of Patent:** **** May 4, 2021**

(54) **BLENDER CONTAINER**

(56) **References Cited**

(71) Applicant: **SHARKNINJA OPERATING LLC**,
Needham, MA (US)

U.S. PATENT DOCUMENTS

(72) Inventors: **Michael Ting**, Boston, MA (US);
Alexander Stuart Hill, Surrey (GB);
Christopher William Hedges,
Hampshire (GB); **Jared J. Proulx**,
Needham, MA (US); **Dan Kestenbaum**,
Brookline, MA (US); **Deric Z. M. Liu**,
Guangdong (CN); **Leo Lee**, Guangdong
(CN); **Robin Yin**, Hunan (CN); **Larry
Deng**, GuangDong (CN)

D242,208 S 11/1976 Madl et al.
D538,595 S * 3/2007 White D7/413
(Continued)

FOREIGN PATENT DOCUMENTS

JP 1523840 4/2015
JP 1618973 11/2018
JP 1618976 11/2018

(73) Assignee: **SHARKNINJA OPERATING LLC**,
Needham, MA (US)

OTHER PUBLICATIONS
Addwin Countertop Blender Professional Commercial Mixer Blender.
Amazon. com Nov. 8, 2018 [https://www.amazon.com/dp/
B07KBYWB7L/](https://www.amazon.com/dp/B07KBYWB7L/) (Year: 2018).*

(**) Term: **15 Years**

(Continued)

(21) Appl. No.: **29/740,283**

Primary Examiner — Ricky Pham

(22) Filed: **Jul. 2, 2020**

(74) *Attorney, Agent, or Firm* — Burns & Levinson, LLP;
Joseph M. Maraia

Related U.S. Application Data

(63) Continuation of application No. 29/694,048, filed on
Jun. 6, 2019.

(57) **CLAIM**

The ornamental design for a blender container, as shown and
described.

(51) **LOC (13) Cl.** **31-00**

(52) **U.S. Cl.**

USPC **D7/413; D7/376; D7/378; D7/412**

(58) **Field of Classification Search**

USPC **D7/359, 372, 376–386, 412–413, 602,
D7/629, 665–666, 669, 679, 693–694**

CPC **A21C 1/02; A21C 1/04; A23N 1/00; A23N
1/02; A47J 43/04; A47J 43/25; A47J
43/27; A47J 43/042; A47J 43/044; A47J
43/046;**

(Continued)

DESCRIPTION

FIG. 1 is a perspective view of a blender container, showing
our new design;

FIG. 2 is a front view of the embodiment shown in FIG. 1;
FIG. 3 is a rear view of the embodiment shown in FIG. 1;
FIG. 4 is a side view of the embodiment shown in FIG. 1;
FIG. 5 is another side view of the embodiment shown in
FIG. 1;

(Continued)

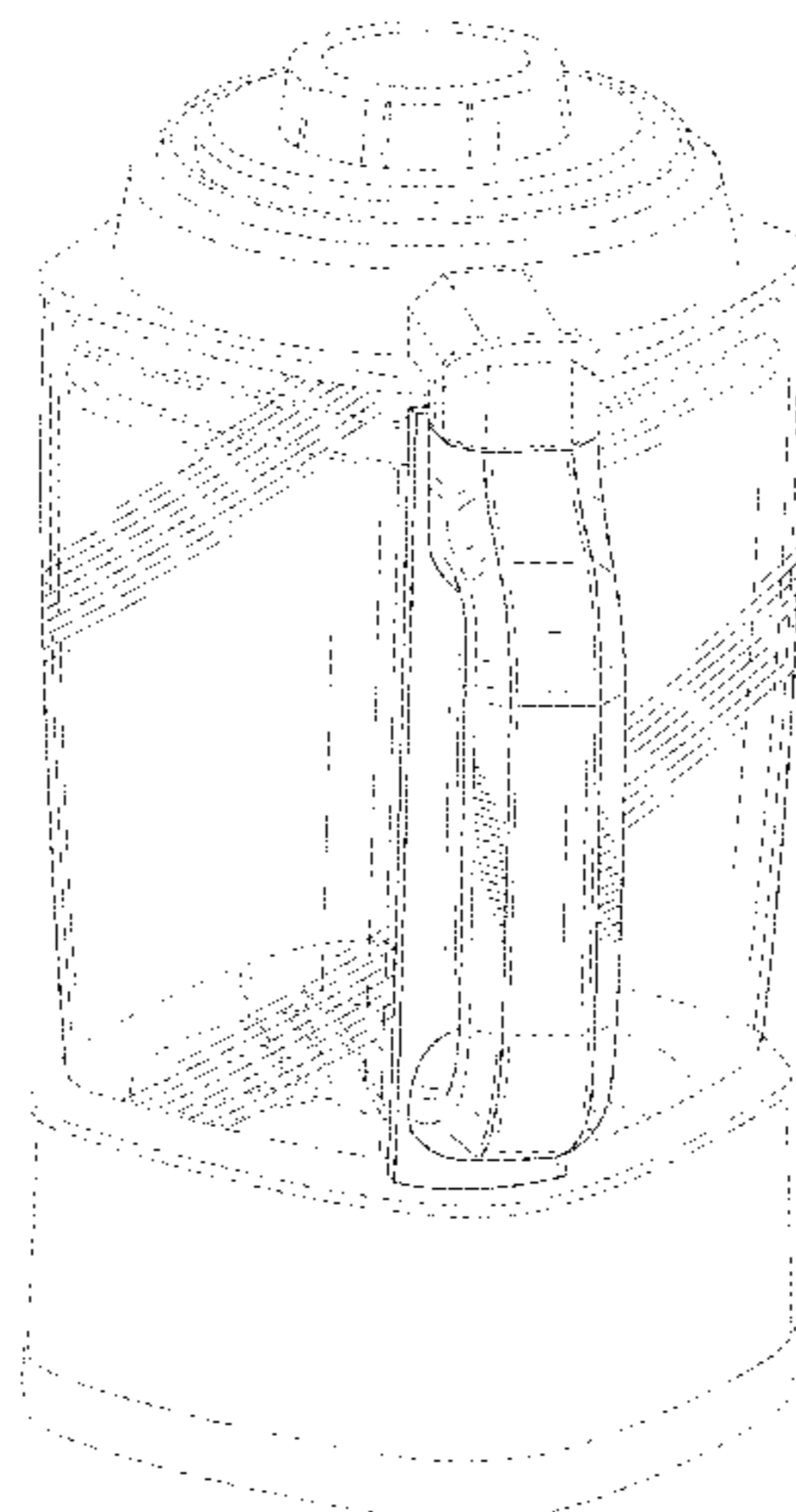


FIG. 6 is a top view of the embodiment shown in FIG. 1; and, FIG. 7 is a bottom view of the embodiment shown in FIG. 1.

The broken lines in the figures are for environmental purposes only and form no part of the claimed design.

1 Claim, 7 Drawing Sheets

(58) Field of Classification Search

CPC .. A47J 43/075; A47J 43/0722; A47J 43/0727; B01F 3/00; B01F 3/0807; B01F 3/0853; B01F 13/0059; B01F 13/0064; B02C 1/08; B02C 2/04; B02C 4/42; B02C 4/142; B02C 4/143; B02C 4/423; B02C 13/1835; B28C 5/10; B28C 5/12; B28C 5/14; B28C 5/16

See application file for complete search history.

(56) References Cited

U.S. PATENT DOCUMENTS

D578,340	S	*	10/2008	Picozza	D7/378
D605,462	S		12/2009	Picozza et al.		
D642,858	S	*	8/2011	Lazzer	D7/378
D647,357	S		10/2011	Audette et al.		
D677,976	S		3/2013	Palermo et al.		
D704,502	S		5/2014	Coakley et al.		
D705,606	S	*	5/2014	Coakley	D7/413
D707,079	S		6/2014	Blaise		
D711,688	S		8/2014	Prats		
D730,682	S		6/2015	Tu		
D730,683	S		6/2015	Tu		
D733,488	S		7/2015	Tu		
D747,135	S	*	1/2016	Ha	D7/378
D769,061	S	*	10/2016	Diderotto	D7/378
D771,999	S		11/2016	Kettavong et al.		
D779,265	S		2/2017	Barquin et al.		

D783,340	S		4/2017	Palermo et al.		
D784,761	S	*	4/2017	Tu	D7/413
D789,735	S		6/2017	Palermo et al.		
D793,153	S		8/2017	Tu		
D794,384	S		8/2017	Lee		
D797,496	S		9/2017	Gee, II et al.		
D798,101	S	*	9/2017	Rose	D7/378
D808,718	S	*	1/2018	Coakley	D7/413
D808,719	S	*	1/2018	Coakley	D7/413
9,855,535	B2		1/2018	Arnett et al.		
D809,333	S		2/2018	Lee		
D811,806	S		3/2018	Bock		
D821,806	S		7/2018	Coakley et al.		
D832,029	S		10/2018	Gee, II et al.		
D842,643	S	*	3/2019	Mullen	D7/378
D842,644	S		3/2019	Kettavong et al.		
D846,338	S		4/2019	Smith et al.		
D846,339	S		4/2019	Smith		
D851,982	S	*	6/2019	DeLeo	D7/378
D865,438	S		11/2019	Coakley et al.		
D896,022	S		9/2020	Ye		
2014/0247686	A1		9/2014	Arnett et al.		
2016/0287011	A1		10/2016	Deshayes et al.		
2016/0324369	A1*		11/2016	Lee	A47J 43/0727
2016/0331182	A1		11/2016	Golino		
2017/0341253	A1		11/2017	Arriens et al.		

OTHER PUBLICATIONS

Amazon.com; "Vitamix Con A3300 Ascent Series Smart Blender"; Available on amazon.com Jan. 5, 2017; (Year: 2017); <https://www.amazon.com/dp/B01MT67Z7B/>; 1 page.

Japanese Application No. 201926608 filed Nov. 29, 2019; Notice of Allowance dated Mar. 11, 2020; 6 pages.

U.S. Appl. No. 29/694,048, filed Jun. 6, 2019; Notice of Allowance dated Nov. 3, 2020; 13 pages.

U.S. Appl. No. 29/694,048, filed Jun. 6, 2019; Notice of Allowance dated Jul. 27, 2020; 11 pages.

U.S. Appl. No. 29/740,202, filed Jul. 1, 2020; Restriction Requirement dated Oct. 2, 2020; 8 pages.

* cited by examiner

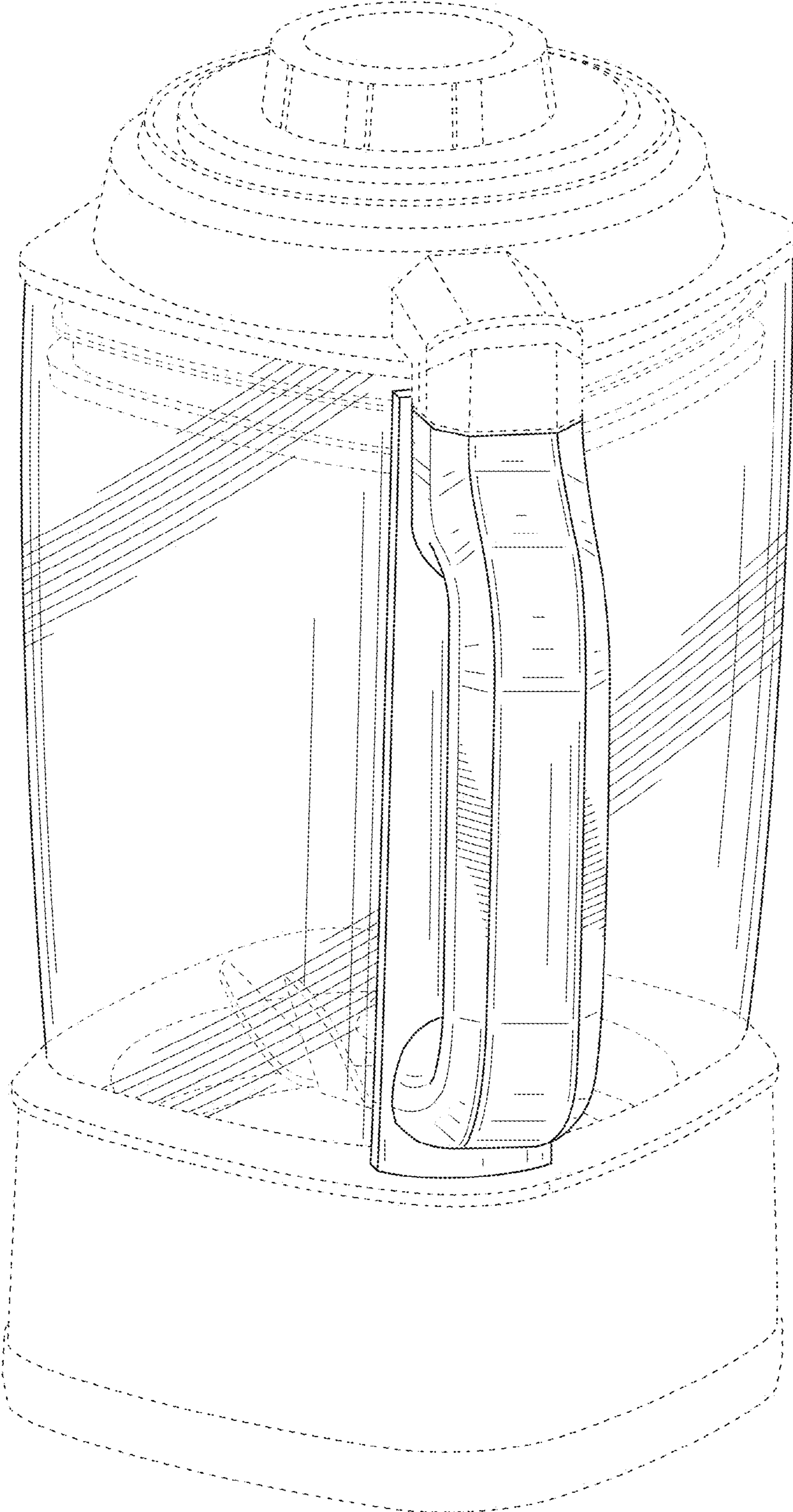


FIG. 1

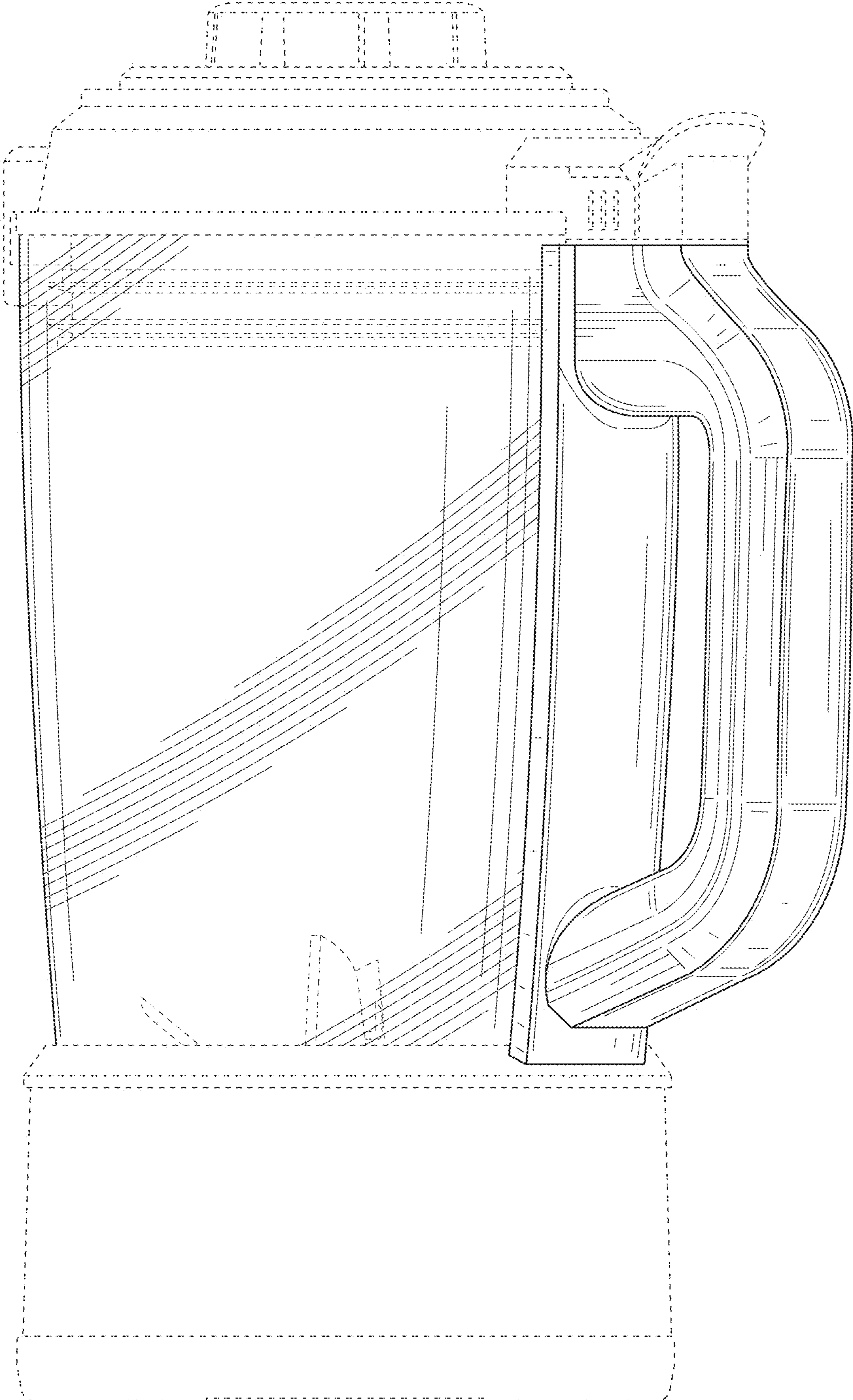


FIG. 2

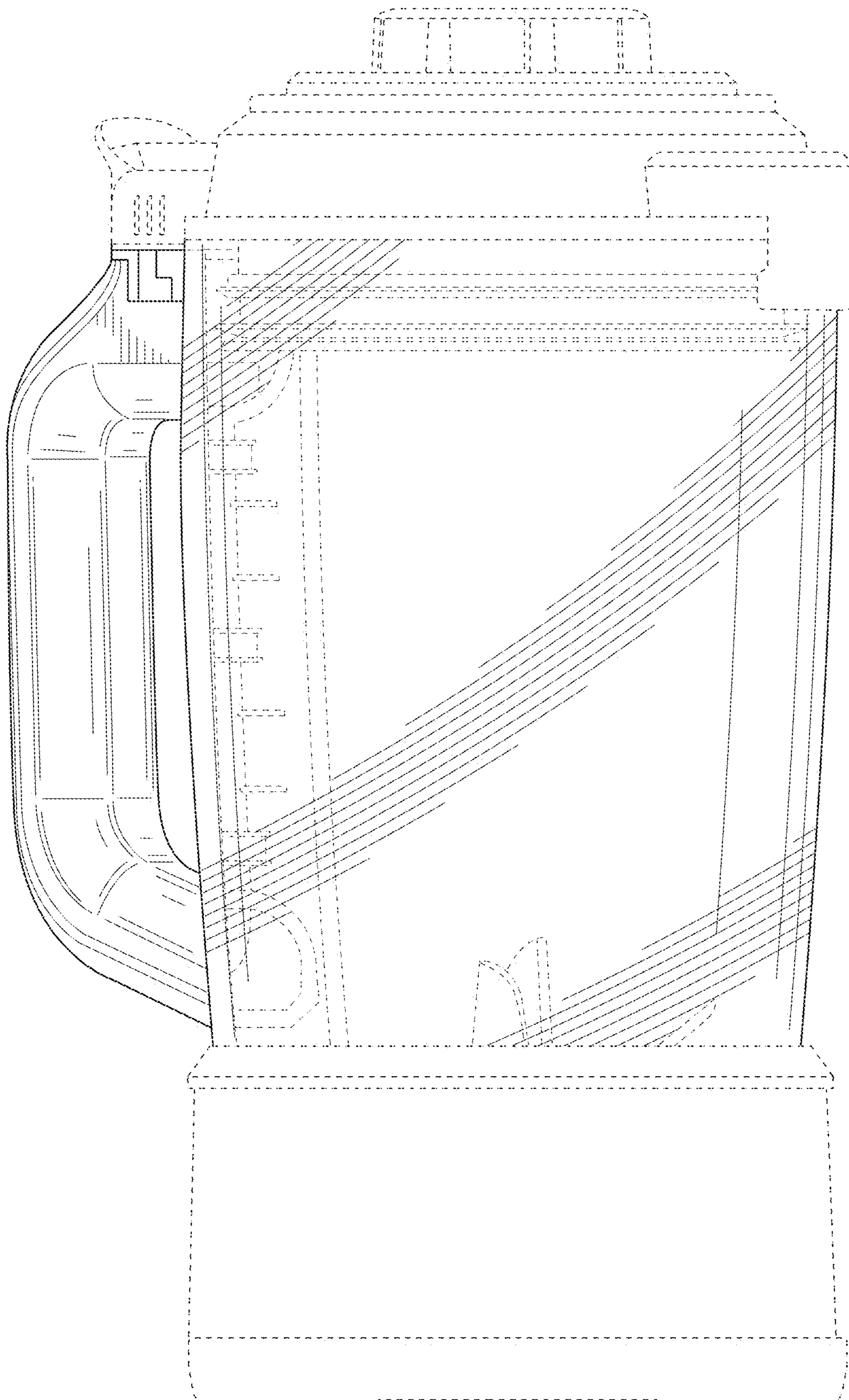


FIG. 3

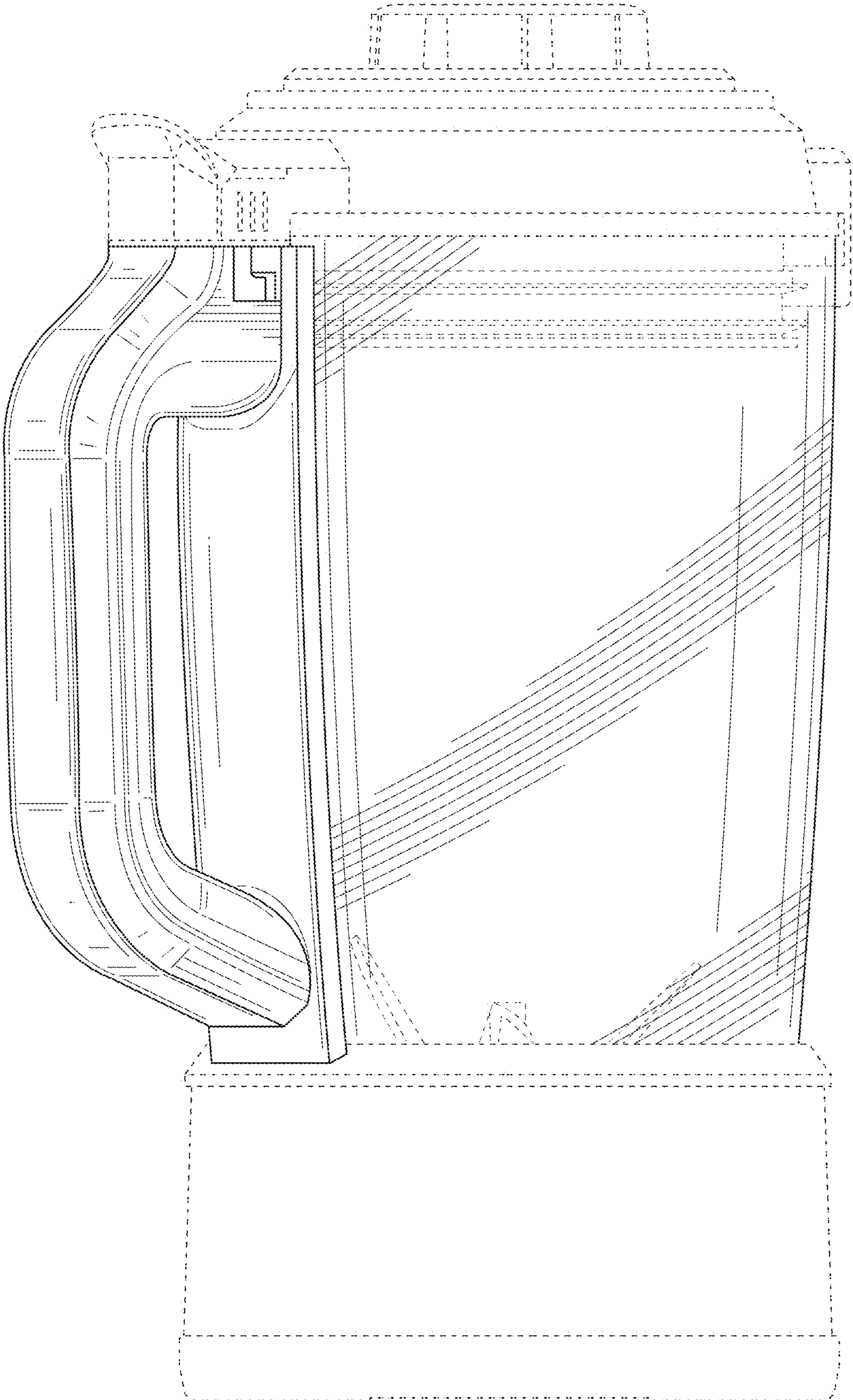


FIG. 4

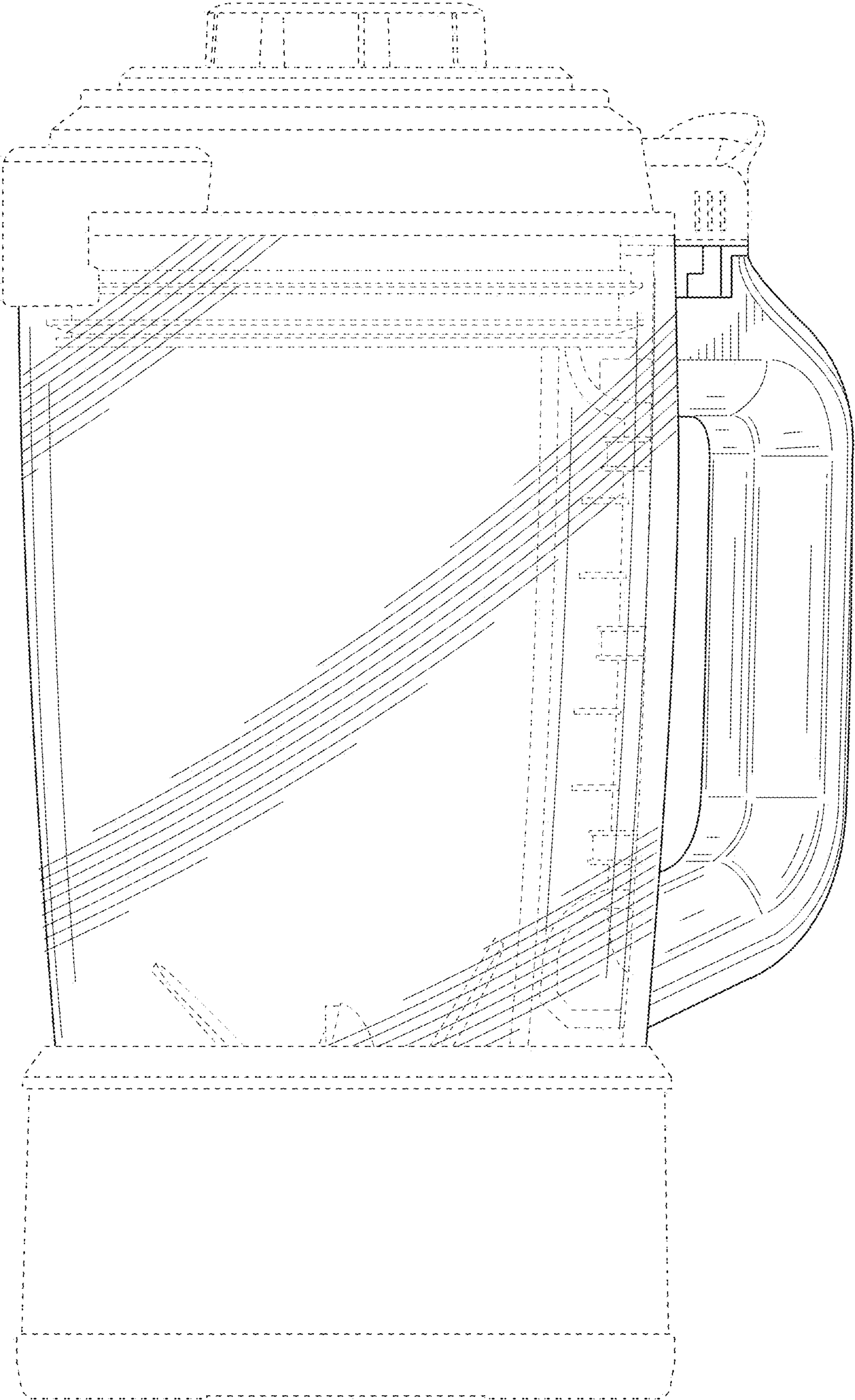


FIG. 5

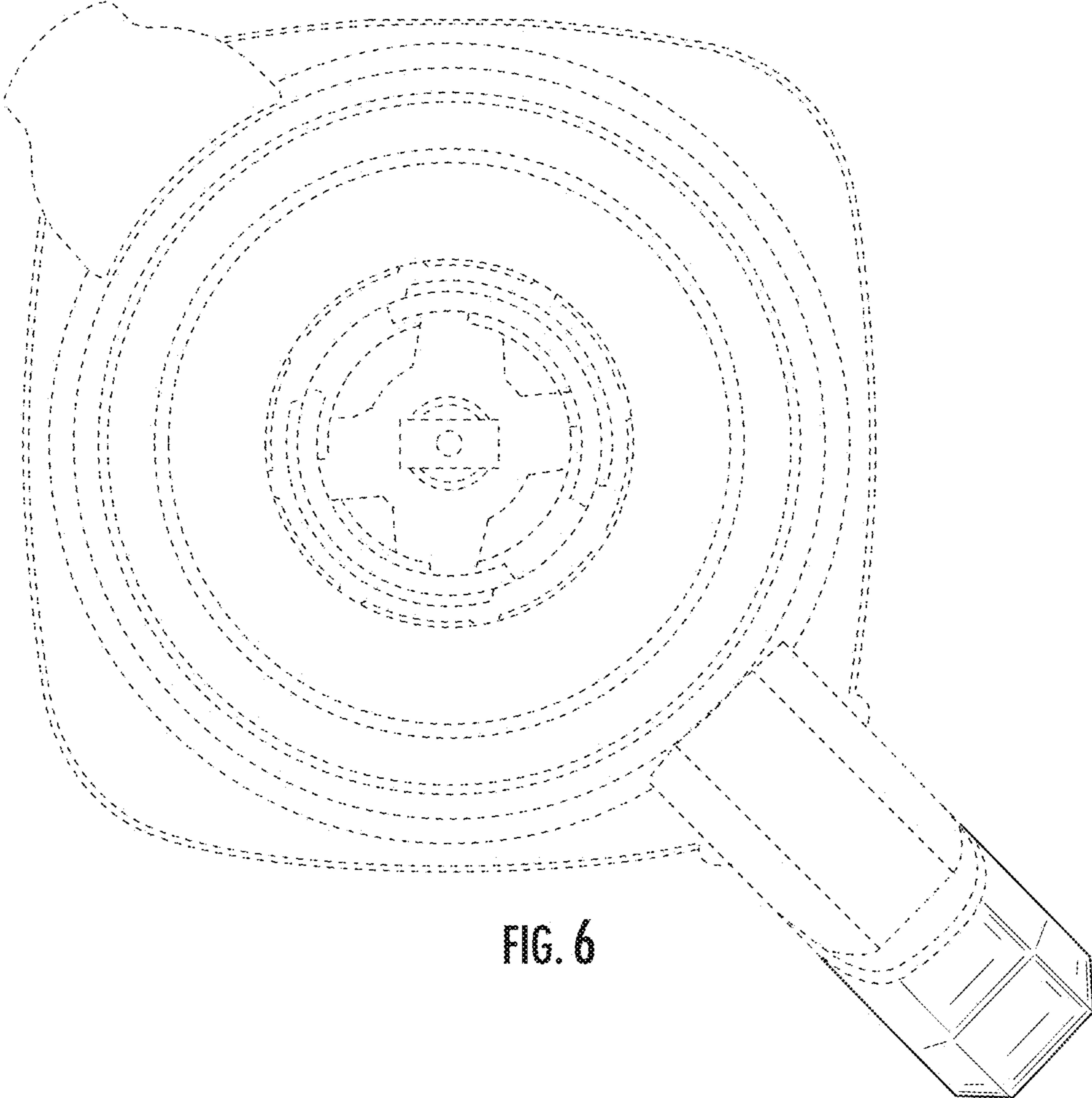


FIG. 6

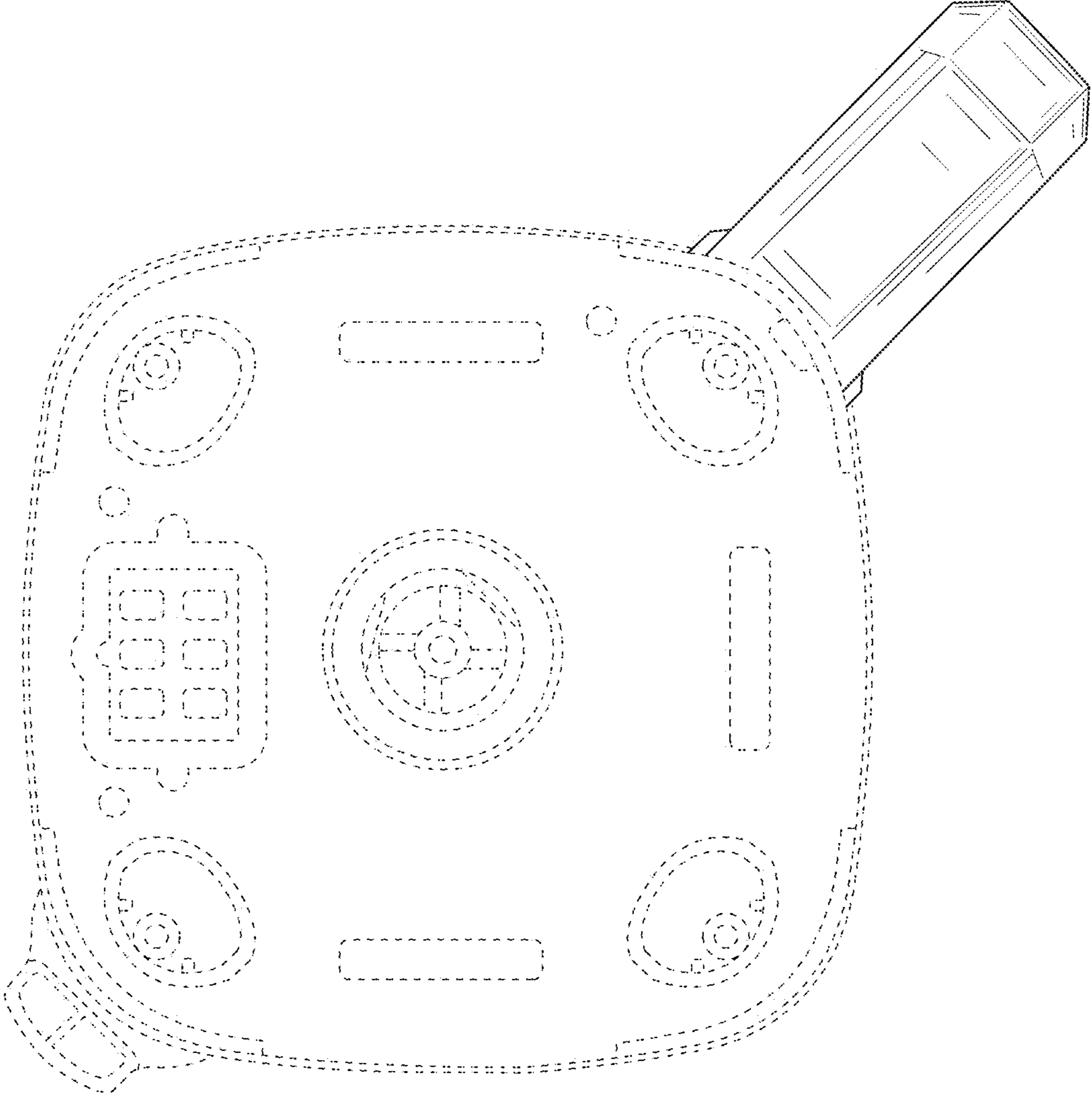


FIG. 7