



US00D917966S

(12) **United States Design Patent**
Li

(10) **Patent No.:** **US D917,966 S**
(45) **Date of Patent:** **** May 4, 2021**

- (54) **OVEN RACK**
- (71) Applicant: **Yongfeng Li**, Jiangmen (CN)
- (72) Inventor: **Yongfeng Li**, Jiangmen (CN)
- (**) Term: **15 Years**
- (21) Appl. No.: **29/720,152**
- (22) Filed: **Jan. 10, 2020**
- (51) **LOC (13) Cl.** **07-02**
- (52) **U.S. Cl.**
USPC **D7/409**
- (58) **Field of Classification Search**
USPC D6/677.2; D7/323, 332, 335-337,
D7/354-355, 359-364, 387-388, 402,
D7/407-409, 704
CPC A21B 2/00; A21B 3/00; A21B 3/13; A21B
3/15; A21B 5/00; A21B 5/02; A23N
12/06; A23N 12/08; A23N 12/10; A45C
11/20; A47J 27/04; A47J 27/122; A47J
37/00; A47J 37/04; A47J 37/041; A47J
37/042; A47J 37/06; A47J 37/0688; A47J
37/0694; A47J 37/07; A47J 37/0704;
A47J 37/10; A47J 47/20; A47J 2037/00;
A47J 2037/06; A47J 2037/0611; A47J
2037/07; A47J 2037/0786; A47J
2037/0795; A47L 15/505; A61L 2/26;
B65D 21/086; F24C 15/10; F24C 15/12;
F24C 15/14; F24C 15/16; F24C 15/18;
F24C 15/164
See application file for complete search history.

(56) **References Cited**

U.S. PATENT DOCUMENTS

- 909,715 A * 1/1909 Troegeler B65D 21/086
220/8
- 1,530,226 A * 3/1925 Bitney F24C 15/16
126/338

- 1,956,678 A * 5/1934 Hanson A45C 11/20
108/183
- 2,552,983 A * 5/1951 Lee A61L 2/26
422/310
- 3,347,404 A * 10/1967 McIntyre A47J 27/122
220/486
- 4,836,392 A * 6/1989 Constantino A47L 15/505
211/133.5
- 5,195,424 A * 3/1993 Guajaca A47J 27/04
126/348
- D339,266 S * 9/1993 Lockett D7/323
- D615,355 S * 5/2010 Viahos D7/409
- D689,716 S * 9/2013 Chase D6/677.2
- D692,722 S * 11/2013 Maher D7/402
- D719,797 S * 12/2014 Puruganan D7/704
- D722,250 S * 2/2015 Borovicka D7/409

* cited by examiner

Primary Examiner — Ricky Pham

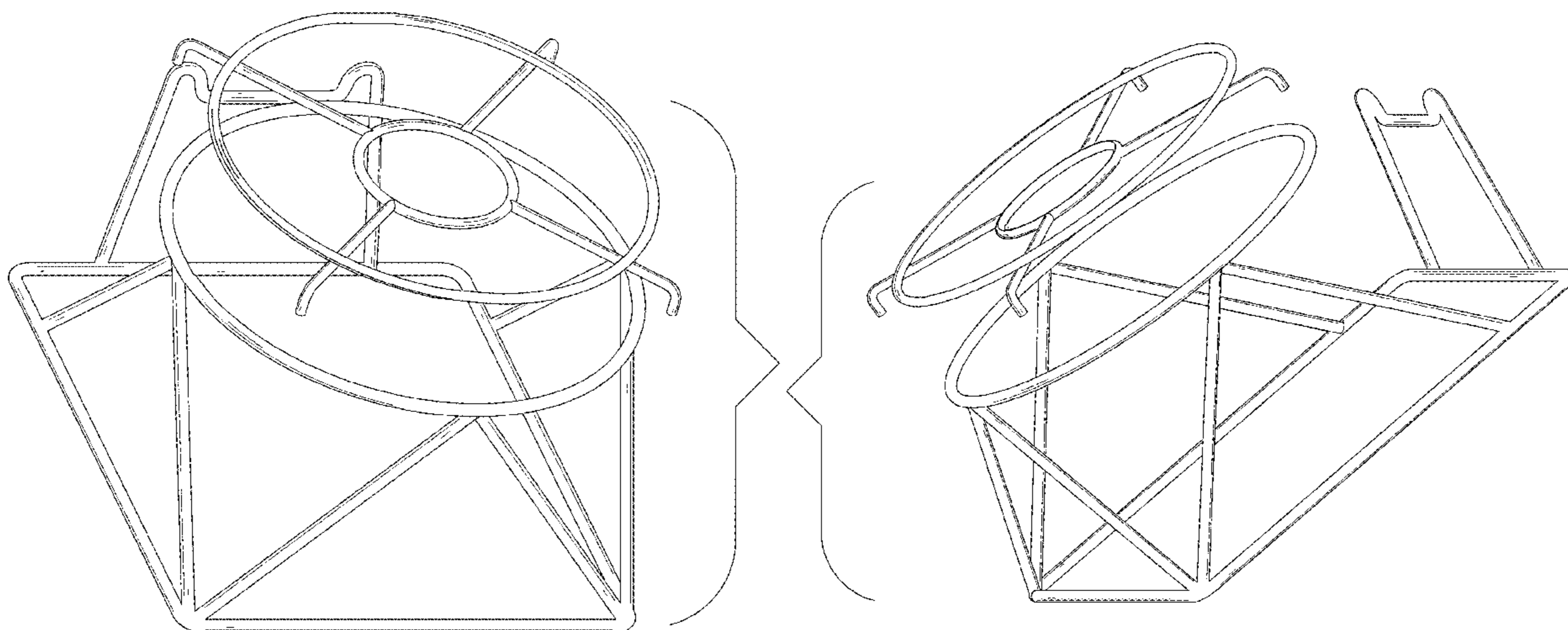
(57) **CLAIM**

The ornamental design for an oven rack, as shown and described.

DESCRIPTION

FIG. 1 is a first perspective view of an oven rack showing my new design;
 FIG. 2 is a second perspective view thereof;
 FIG. 3 is a front view thereof;
 FIG. 4 is a back view thereof;
 FIG. 5 is a left side view thereof;
 FIG. 6 is a right side view thereof;
 FIG. 7 is top view thereof; and,
 FIG. 8 is a bottom view thereof.

1 Claim, 8 Drawing Sheets



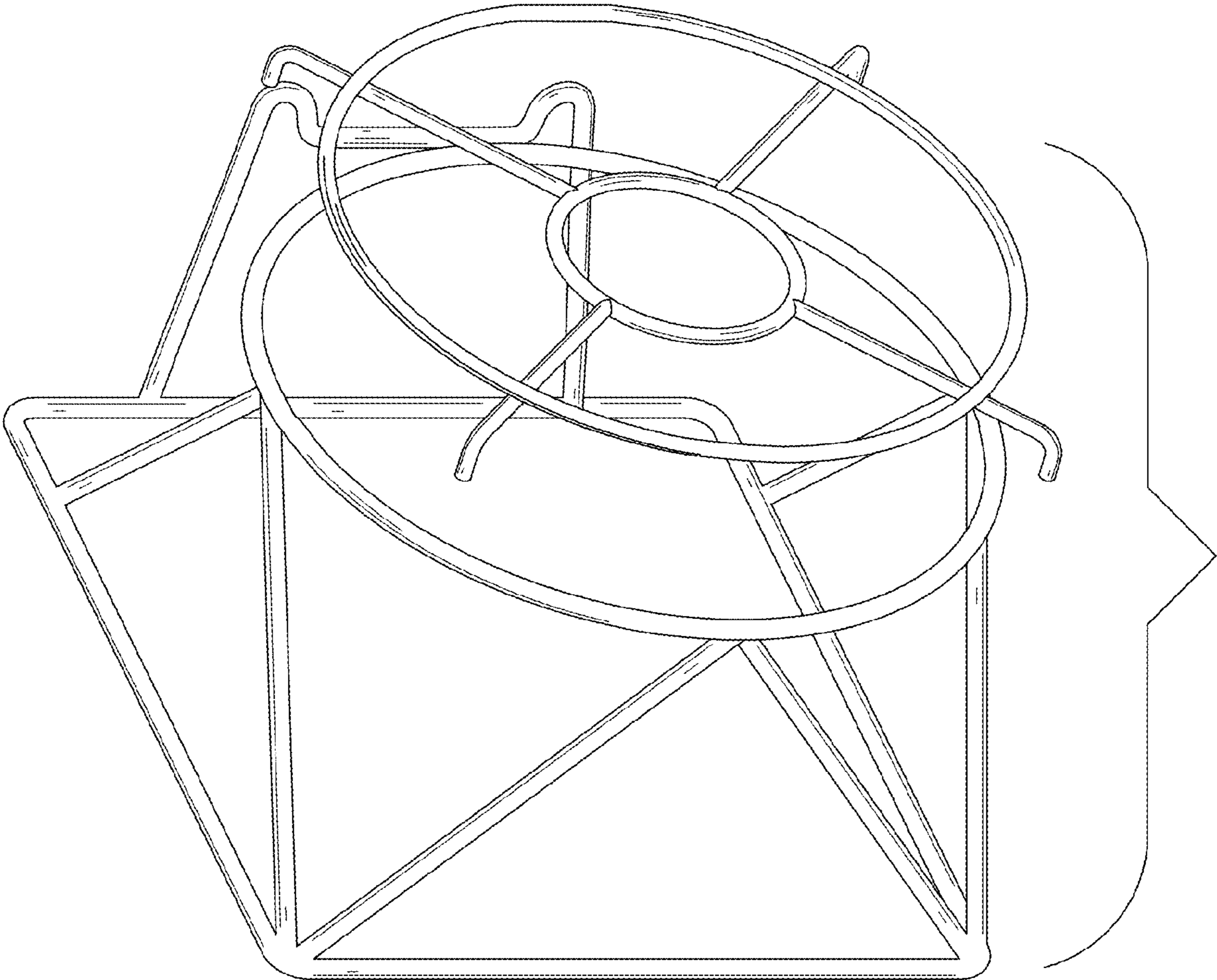


FIG. 1

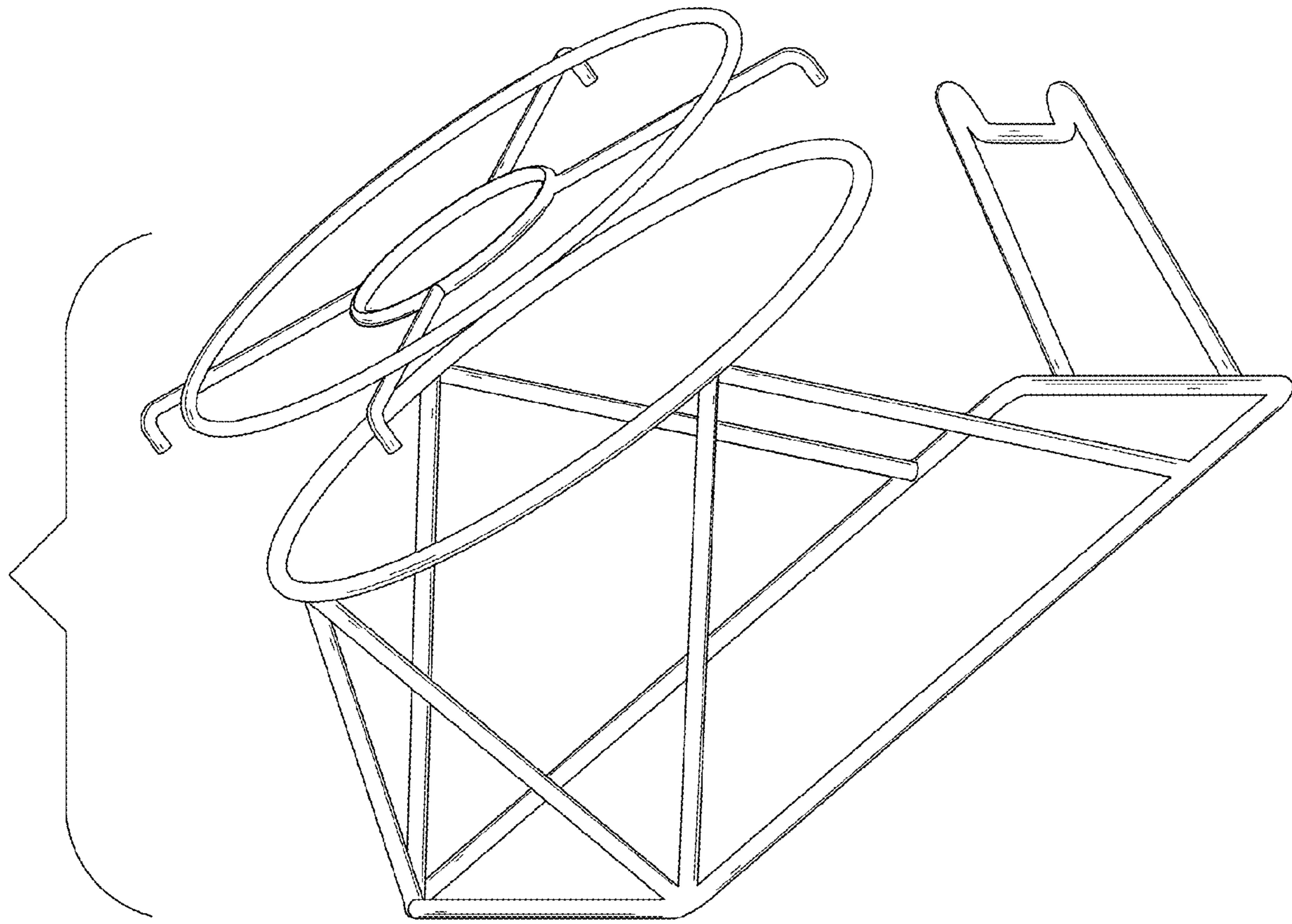


FIG. 2

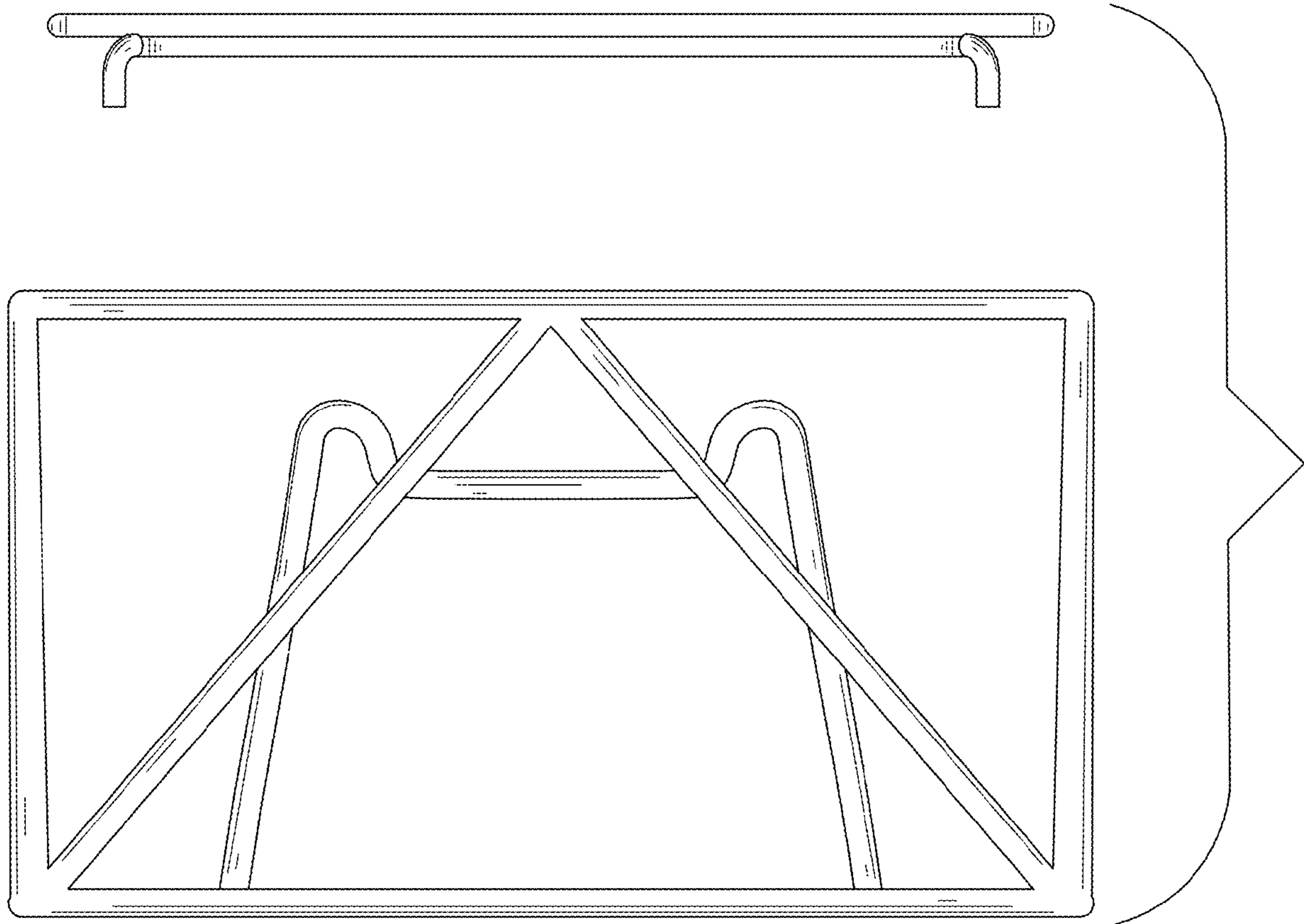


FIG. 3

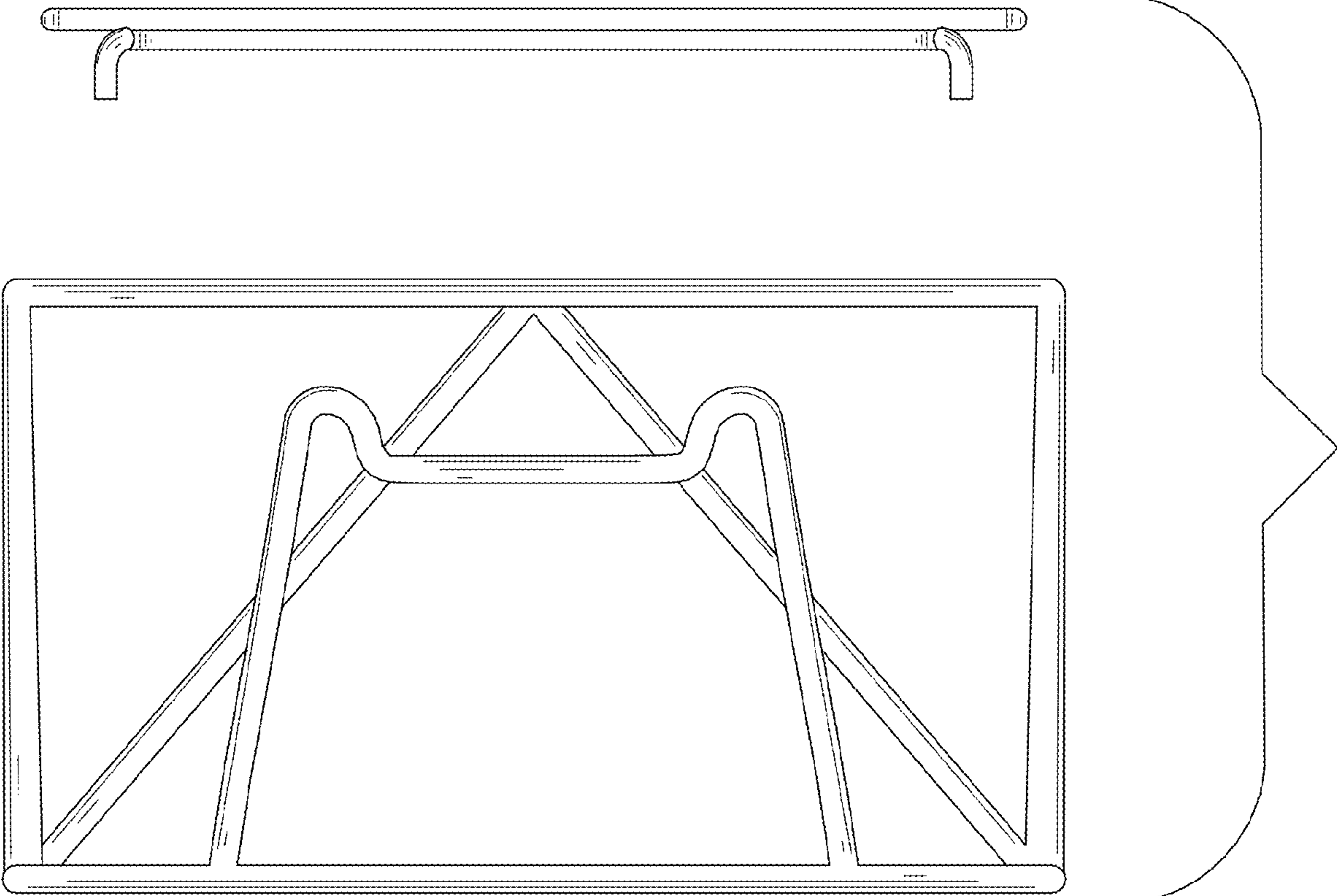


FIG. 4

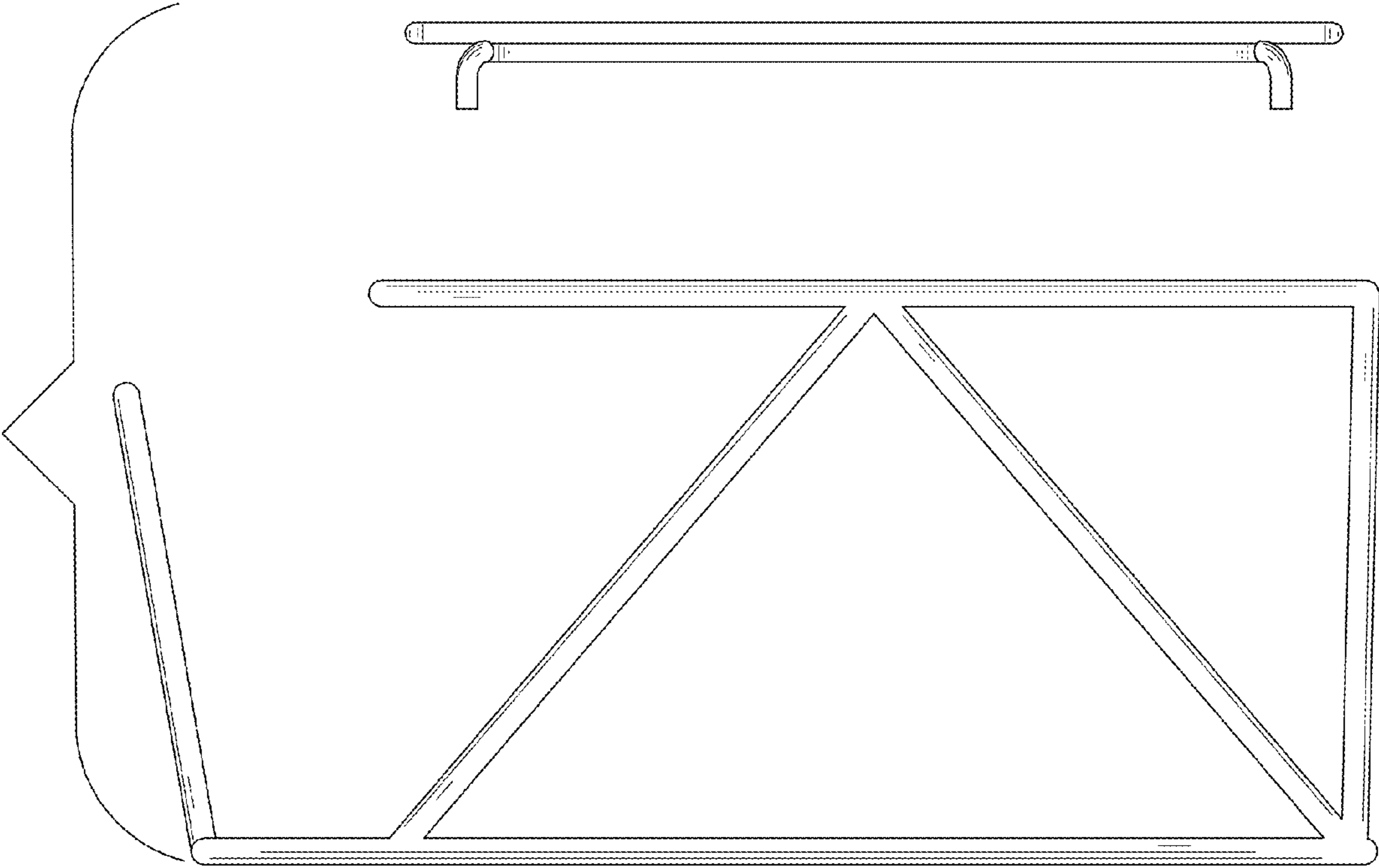


FIG. 5

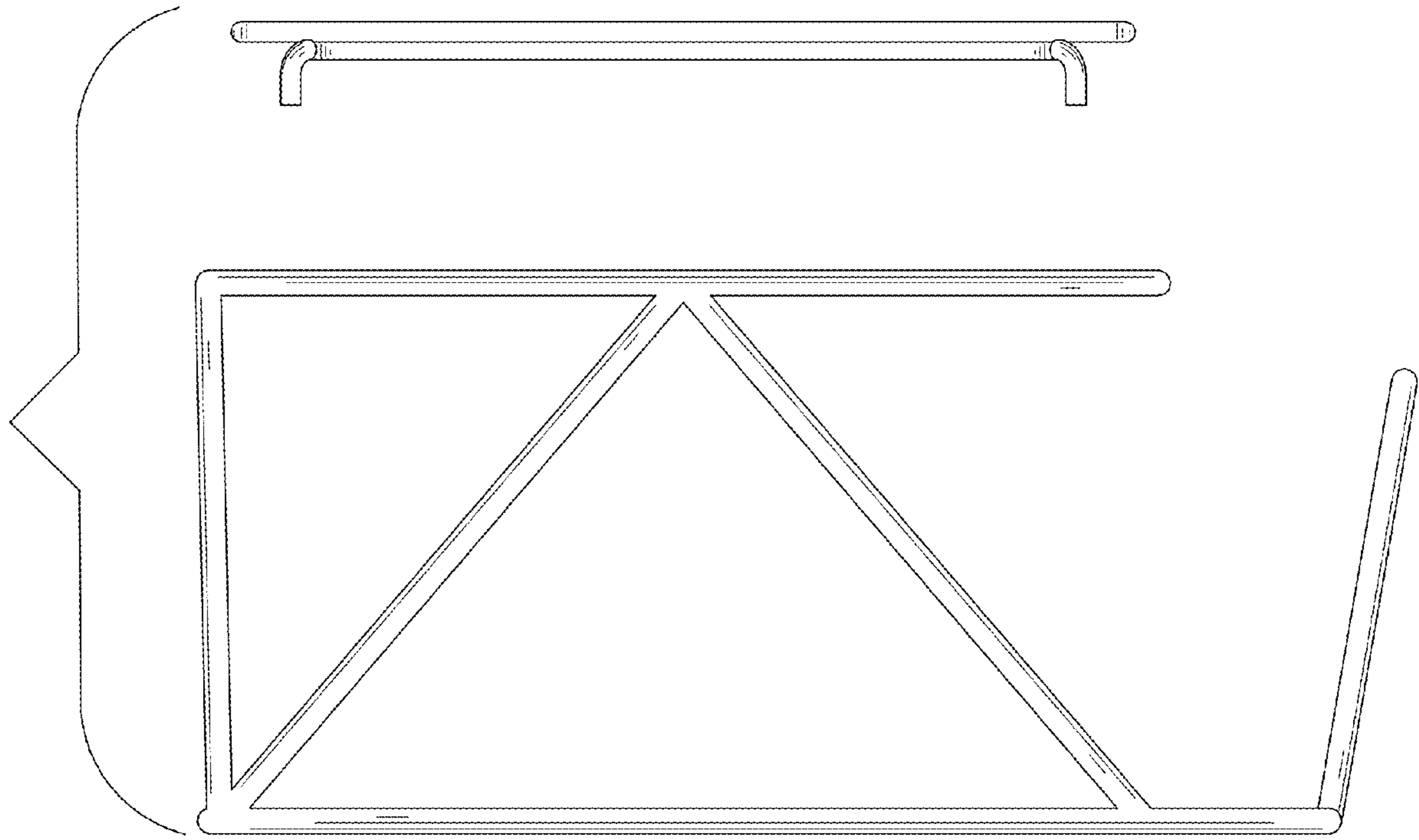


FIG. 6

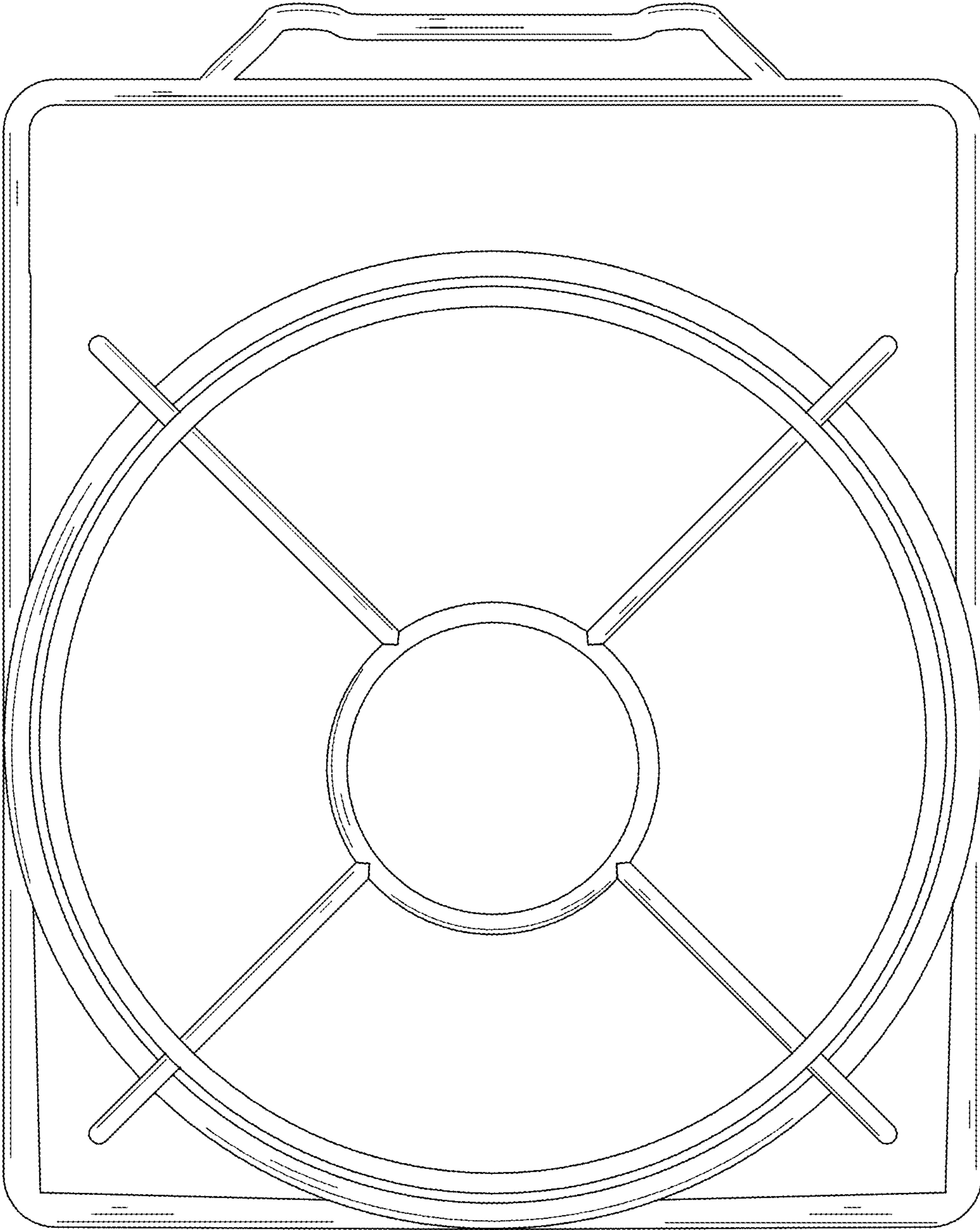


FIG. 7

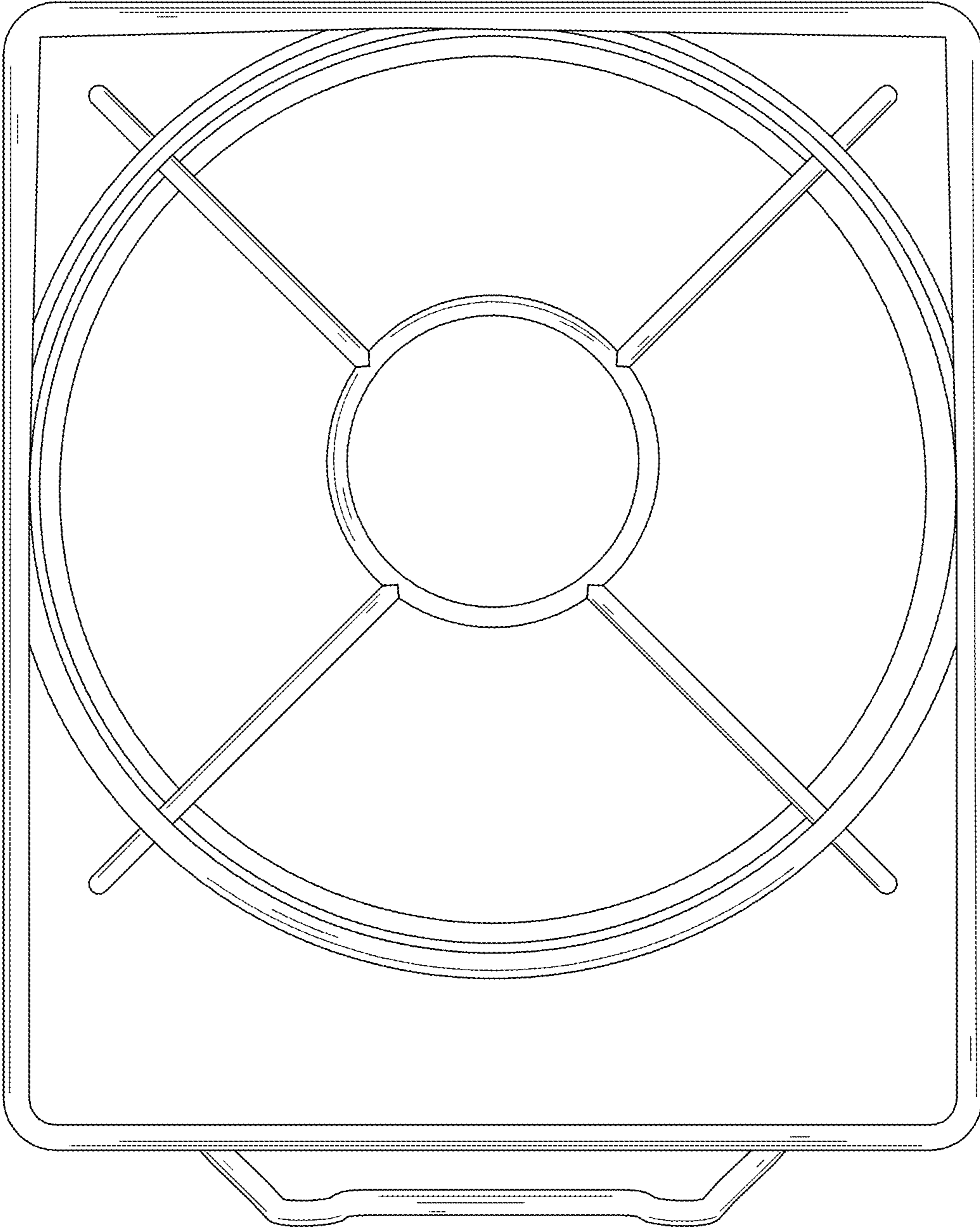


FIG. 8