



US00D917963S

(12) **United States Design Patent**  
**Öztürk**

(10) **Patent No.:** **US D917,963 S**

(45) **Date of Patent:** **\*\* May 4, 2021**

(54) **LID FOR CANS**

(71) Applicant: **Wrap4You GmbH Co KG, Bürs (AT)**

(72) Inventor: **Ismail Öztürk, Bludenz (AT)**

(73) Assignee: **Wrap4You GmbH Co KG, Bürs (AT)**

(\*\*) Term: **15 Years**

(21) Appl. No.: **35/507,960**

(22) Filed: **Jul. 18, 2019**

(80) **Hague Agreement Data**

Int. Filing Date: **Jul. 18, 2019**

Int. Reg. No.: **DM/204198**

Int. Reg. Date: **Jul. 18, 2019**

Int. Reg. Pub. Date: **Nov. 29, 2019**

(30) **Foreign Application Priority Data**

Jan. 25, 2019 (EM) ..... 006085262

(51) **LOC (13) Cl.** ..... **07-01**

(52) **U.S. Cl.**  
USPC ..... **D7/392.1; D9/452**

(58) **Field of Classification Search**

USPC ..... D9/434, 435, 436, 438, 440, 444, 449,  
D9/454, 499, 903; D7/305, 392, 900,  
D7/392.1, 396.2

CPC ..... B65D 17/16; B65D 17/166; B65D 35/24;  
B65D 41/32; B65D 51/18; Y10S 22/906

See application file for complete search history.

(56) **References Cited**

**U.S. PATENT DOCUMENTS**

D423,932 S \* 5/2000 Miura ..... D9/438

D480,264 S \* 10/2003 de Groote ..... D7/392.1

D495,600 S *	9/2004	Kouri .....	D9/435
D510,524 S *	10/2005	Houk .....	D9/503
D573,879 S *	7/2008	Kett .....	D9/445
D620,662 S *	7/2010	Blanchard .....	D32/54
D635,027 S *	3/2011	Gonzalez Sanchez .....	D9/449
D664,840 S *	8/2012	Jones .....	D9/423
D752,978 S *	4/2016	Zabeleta .....	D9/454
D772,002 S *	11/2016	Affatato .....	D7/391
D803,677 S *	11/2017	Yang .....	D9/503
D828,753 S *	9/2018	Zabaleta .....	D9/435
D835,459 S *	12/2018	Sedgwick .....	D7/392.1
D841,392 S *	2/2019	Cavada, Jr. ....	D7/392
2013/0240527 A1 *	9/2013	Philippe .....	B65D 43/02 220/270
2014/0041338 A1 *	2/2014	Zabaleta .....	B65D 41/32 53/412

\* cited by examiner

*Primary Examiner* — Bao-Yen T Nguyen

(74) *Attorney, Agent, or Firm* — Collard & Roe, P.C.

(57) **CLAIM**

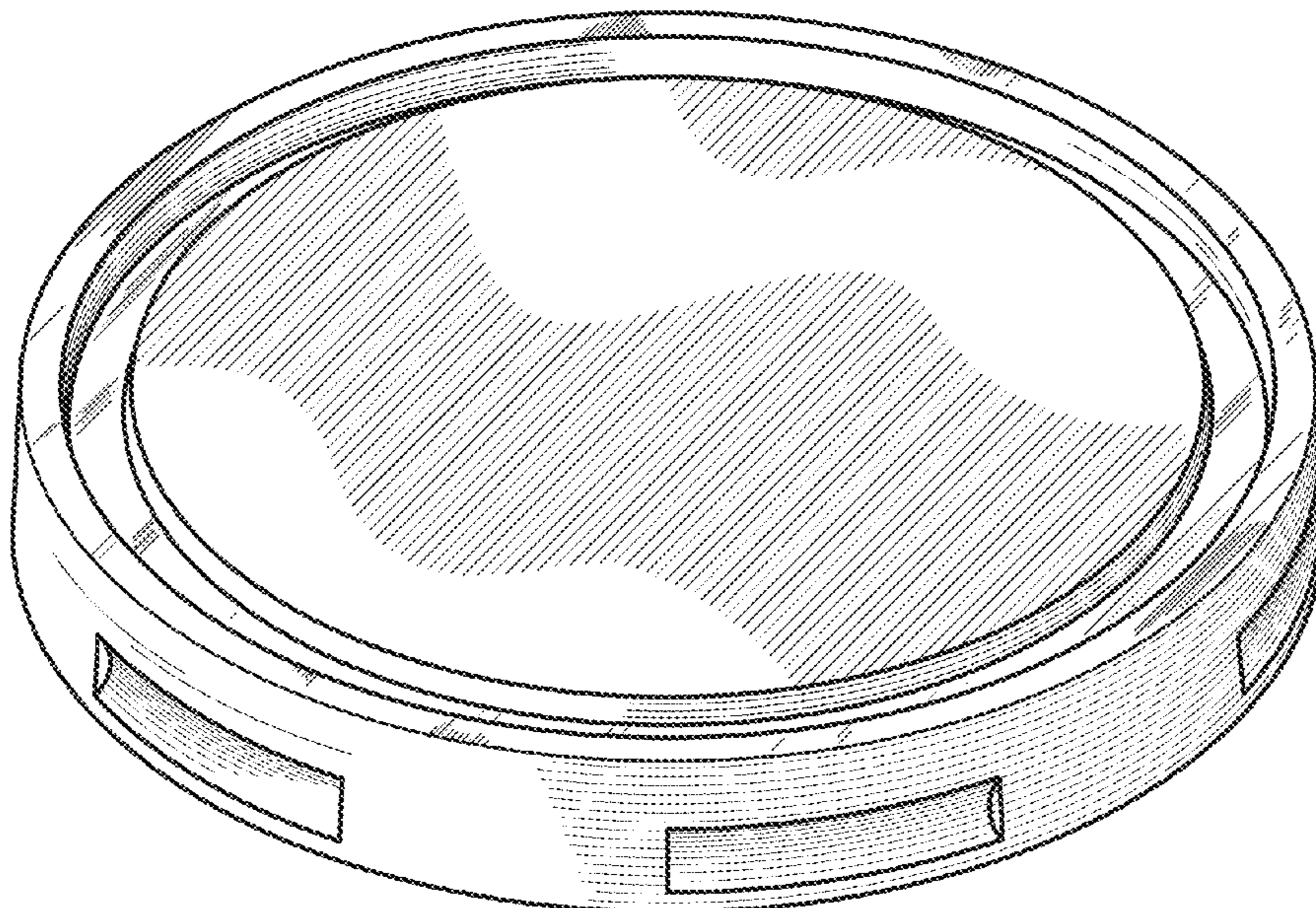
The ornamental design for lid for cans, as shown and described.

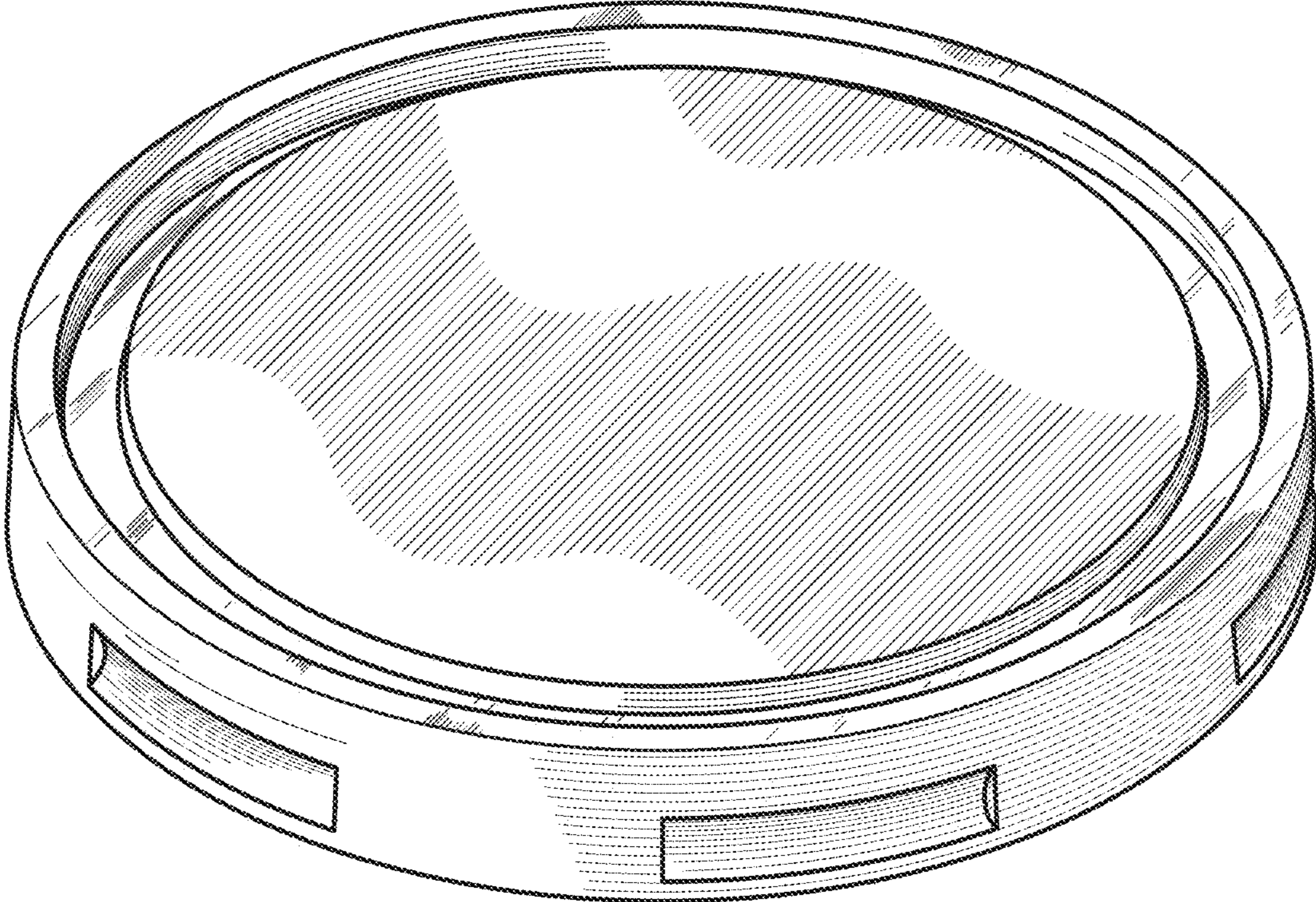
**DESCRIPTION**

1. Lid for cans
- 1.1: Perspective view 1
- 1.2 : Perspective view 2
- 1.3 : Right
- 1.4 : Front
- 1.5 : Left
- 1.6 : Back
- 1.7 : Top
- 1.8 : Bottom

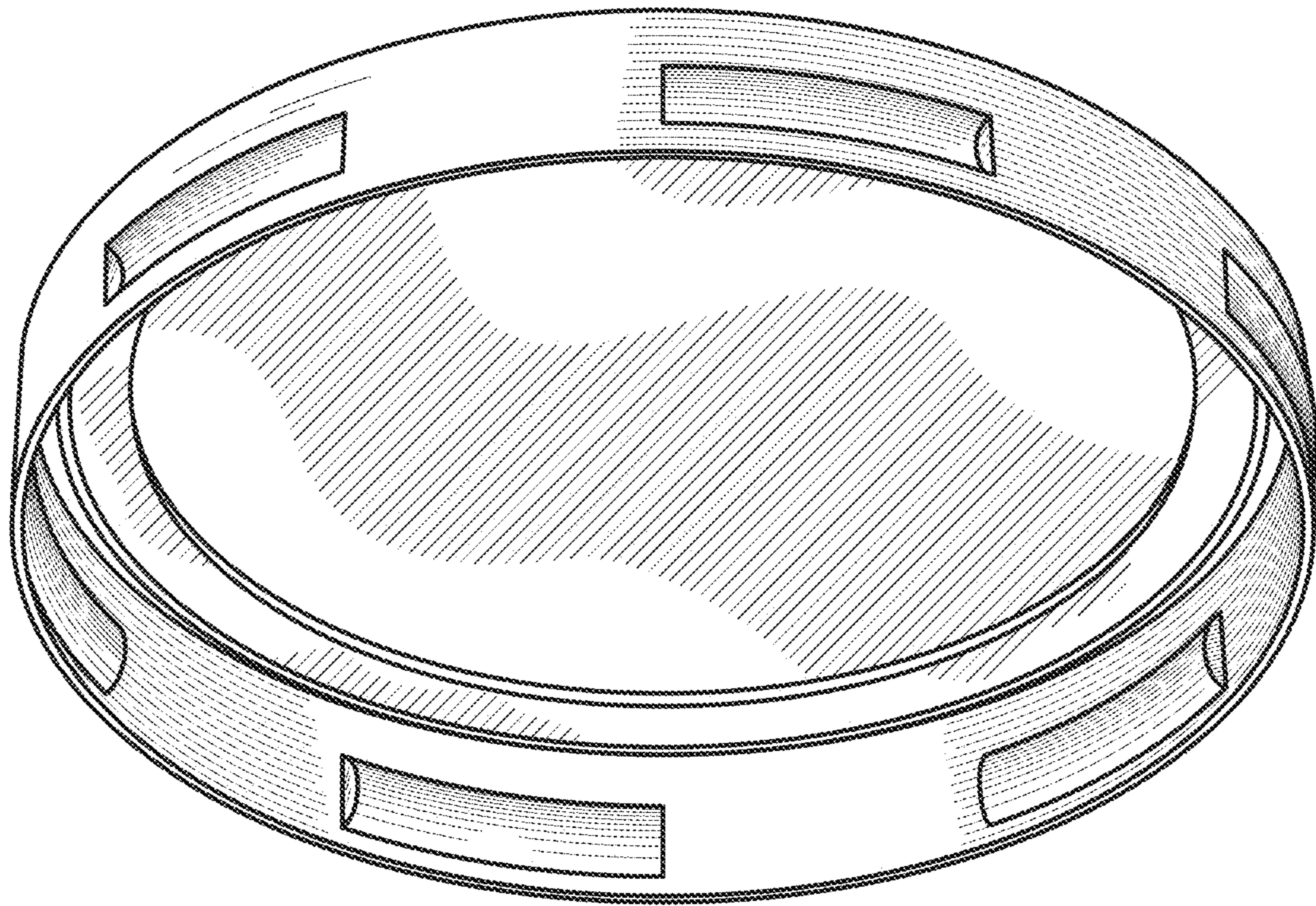
Lid for cans for the hygienic covering of a beverage can head; the lid for cans comprises six indentations.

**1 Claim, 8 Drawing Sheets**

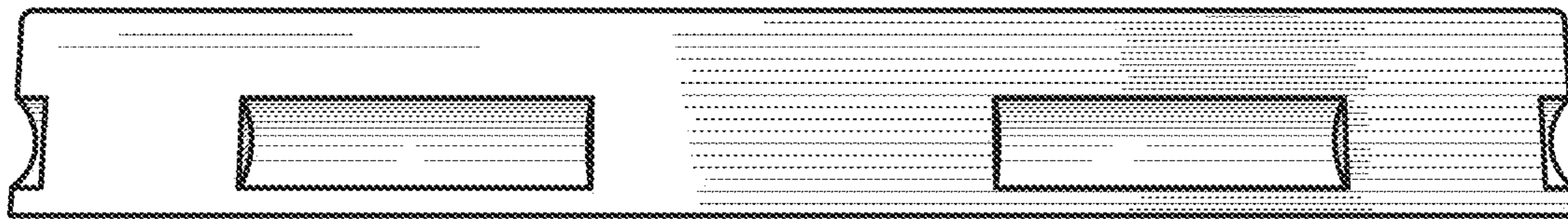




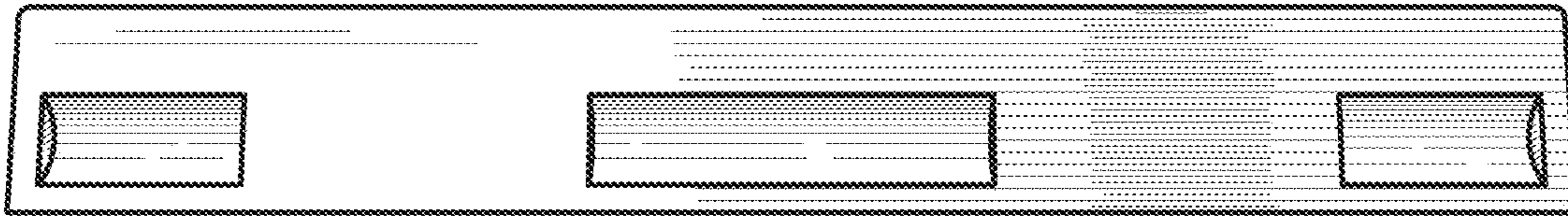
1.1



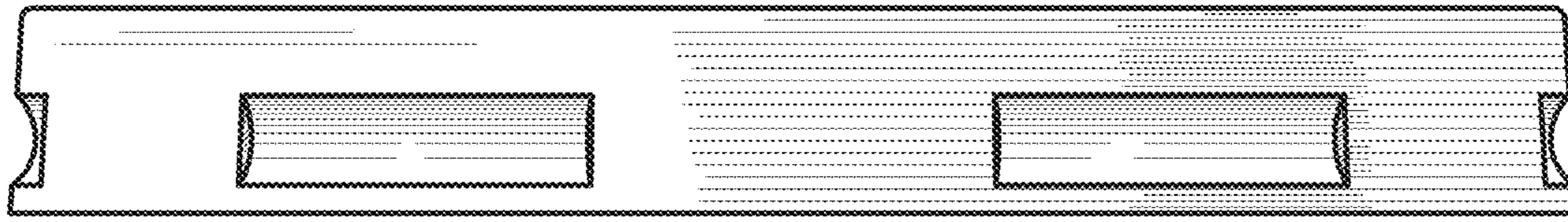
1.2



1.3



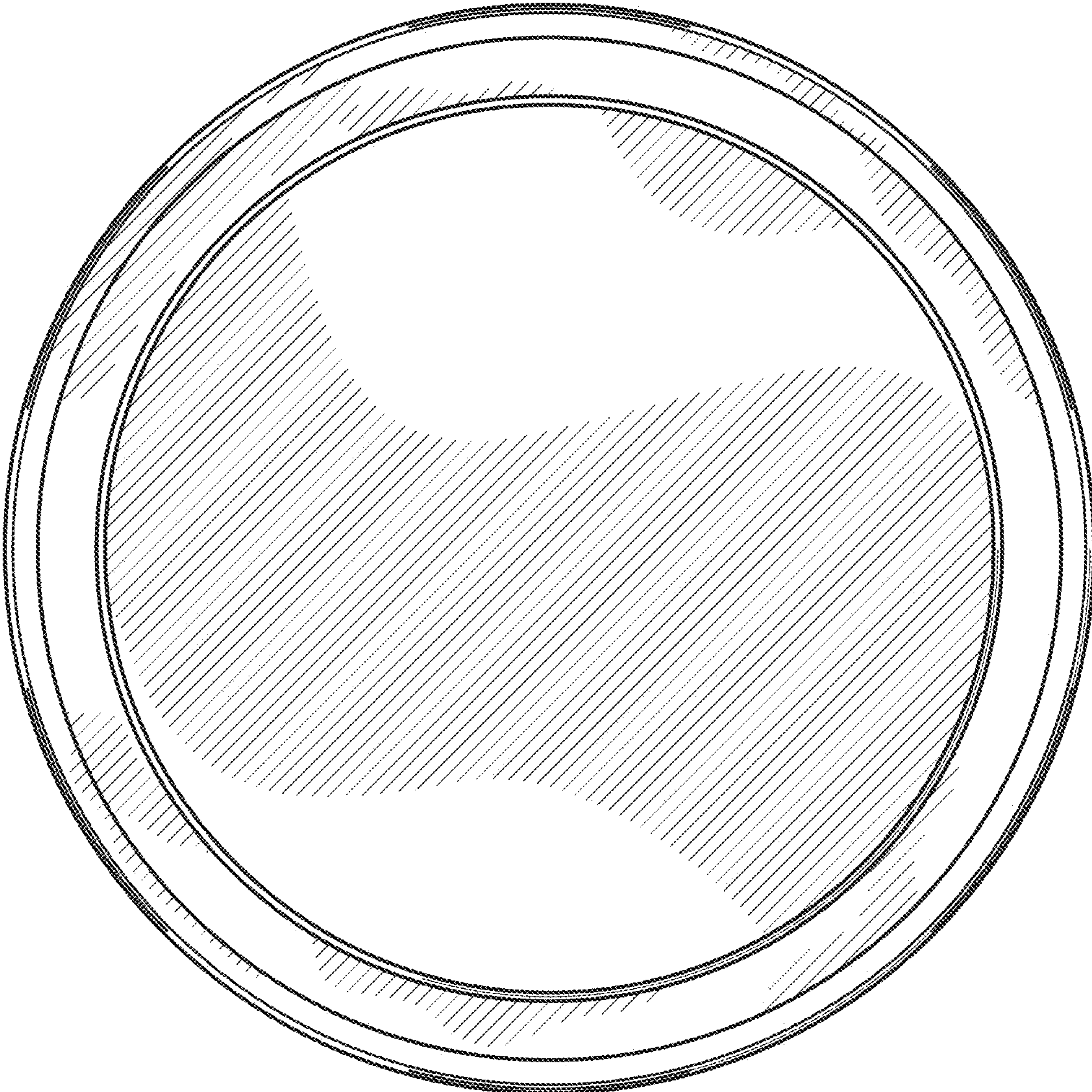
1.4



1.5

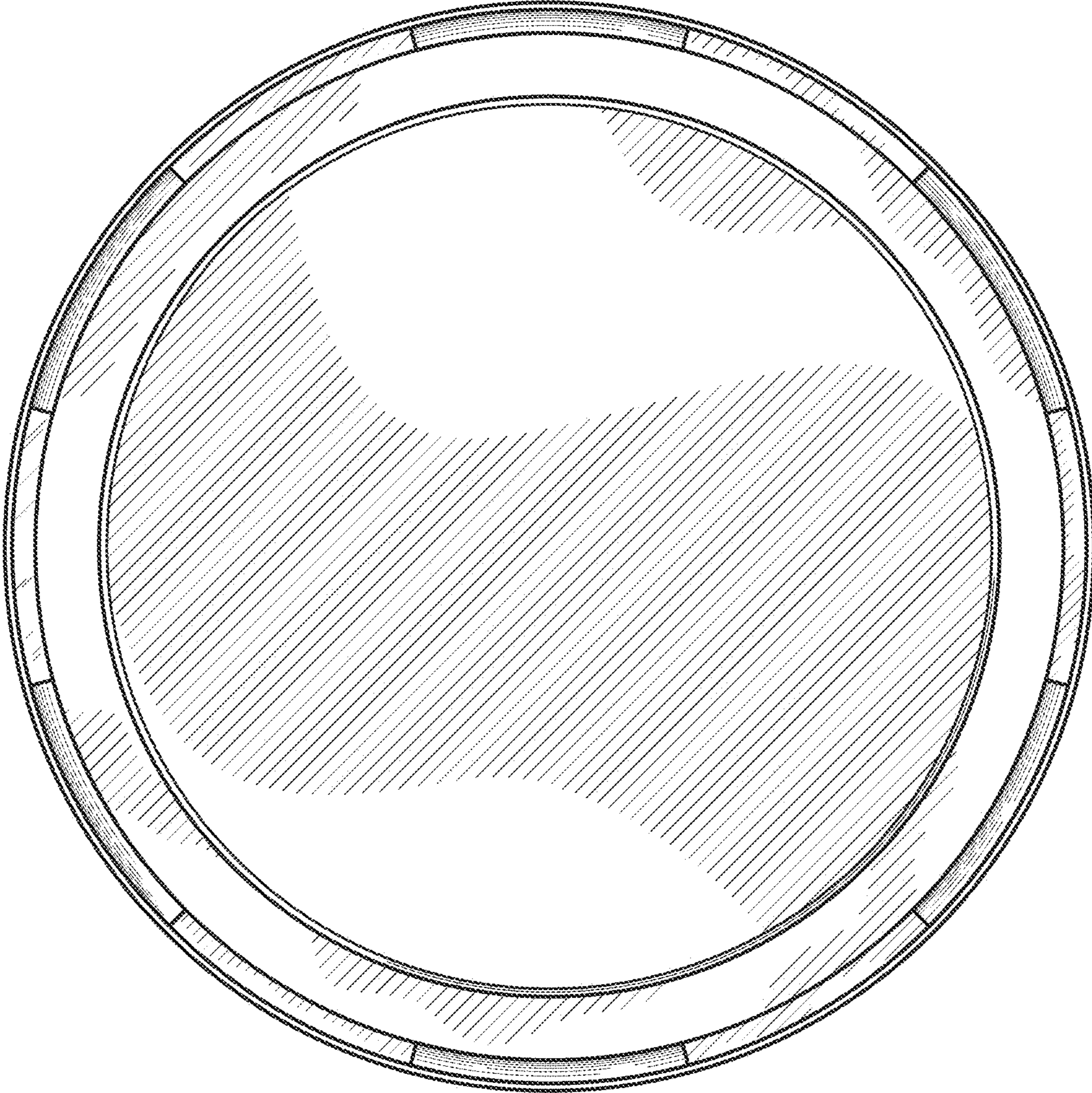


1.6



1.7





1.8