



US00D917961S

(12) **United States Design Patent**
Hartley et al.

(10) **Patent No.:** **US D917,961 S**

(45) **Date of Patent:** **** May 4, 2021**

- (54) **VENT FOR A CONTAINER LID**
- (71) Applicant: **The Decor Corporation Pty. Ltd.**,
Dandenong South (AU)
- (72) Inventors: **Toby Hartley**, Keysborough (AU);
Alexander Schoenmakers,
Keysborough (AU); **Justin Armistead**,
Keysborough (AU)
- (73) Assignee: **The Decor Corporation Pty. Ltd.**,
Dandenong South (AU)

- D416,170 S * 11/1999 Stucke, Jr. D7/392
- 6,053,474 A * 4/2000 Stucke, Jr. B65D 51/1683
219/735
- D527,218 S * 8/2006 Carlson D7/392
- D562,624 S * 2/2008 Kortleven D7/392.1
- D590,666 S * 4/2009 Wang D7/629
- D595,085 S * 6/2009 Carlson D7/392
- D698,199 S * 1/2014 Yessin D7/392.1
- D700,010 S * 2/2014 Duvigneau D7/391
- D704,503 S * 5/2014 Manley D7/391

(Continued)

- (**) Term: **15 Years**
- (21) Appl. No.: **29/700,074**
- (22) Filed: **Jul. 31, 2019**

(30) **Foreign Application Priority Data**

Feb. 5, 2019 (AU) 201910585

(51) **LOC (13) Cl.** **07-99**

(52) **U.S. Cl.**
USPC **D7/392.1**

(58) **Field of Classification Search**

USPC D3/201, 272, 294, 318; D7/538, 550, 1,
D7/551.1, 601, 602, 354, 387, 388, 391,
D7/392, 392.1, 396.1, 360, 511, 542, 629,
D7/705; D6/406.3; D9/661, 664, 732,
D9/736, 743, 744, 745, 755, 414, 424,
D9/439, 434, 435, 436, 451, 455, 456;
D30/123, 121, 129-133

CPC B65D 25/04; B65D 25/00; B65D 41/12;
B65D 2205/00; B65D 51/1683; B65D
65/466; B65D 2543/00842; B65D 1/00;
B65D 1/30; B65D 1/34; B65D 1/36

See application file for complete search history.

(56) **References Cited**

U.S. PATENT DOCUMENTS

- 5,750,967 A * 5/1998 Sprauer, Jr. A47J 36/027
219/735
- 5,762,228 A * 6/1998 Morgan B65D 47/0895
220/367.1

OTHER PUBLICATIONS

Microwave Container with Vent: Announced Mar. 28, 2020 [online],
Stie Visited [Sep. 23, 2020], Available from Internet URL: <https://www.decor.com.au/product/decor-delish-1-01-oblong/>.*

Primary Examiner — Catherine S Posthauer

(74) *Attorney, Agent, or Firm* — Stevens & Showalter
LLP

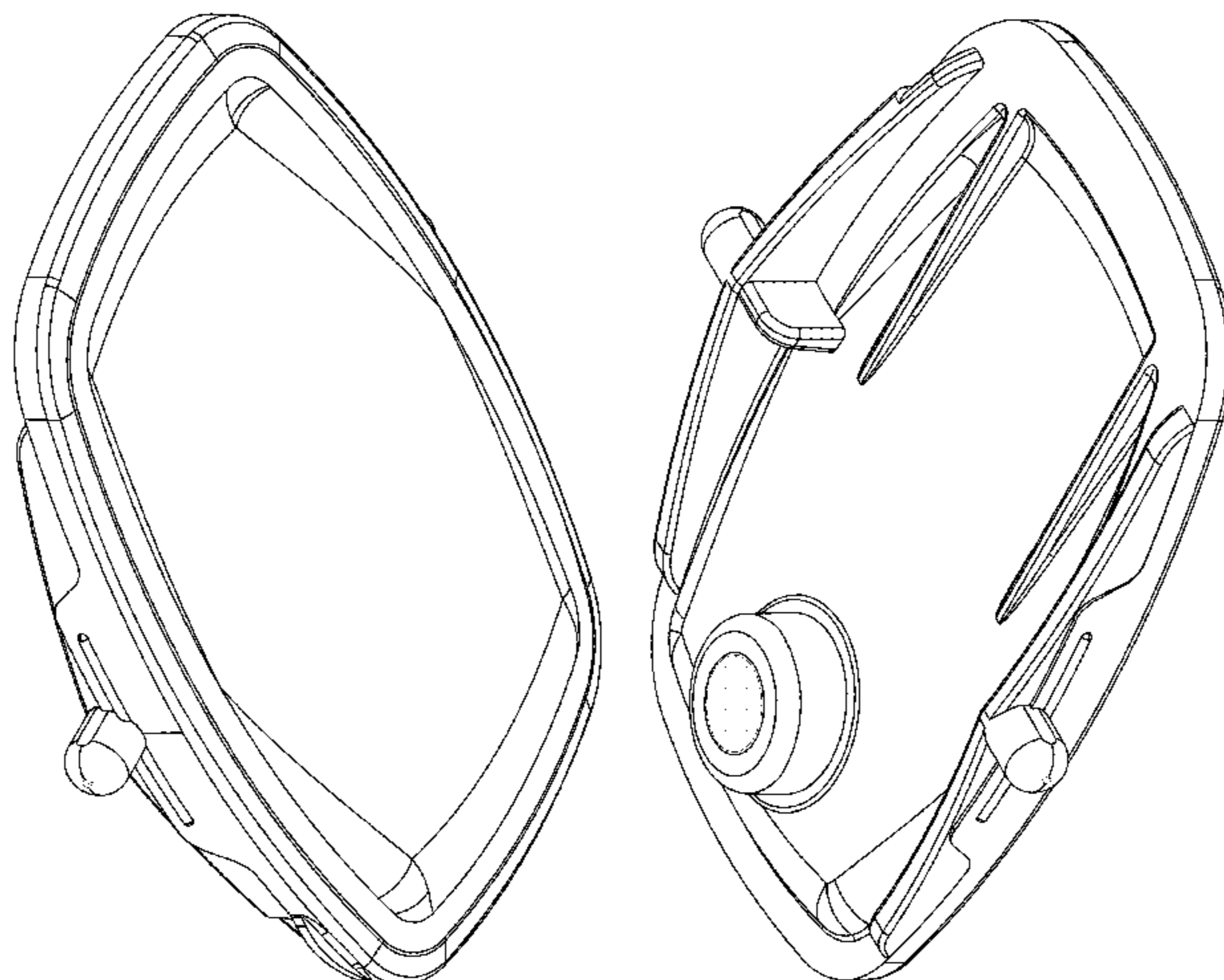
(57) **CLAIM**

The ornamental design for a vent for a container lid, as
shown and described.

DESCRIPTION

FIG. 1 is a front top perspective view of a vent for a
container lid showing our new design;
FIG. 2 is a rear bottom perspective view thereof;
FIG. 3 is a top plan view thereof;
FIG. 4 is a bottom plan view thereof;
FIG. 5 is a front elevation view thereof;
FIG. 6 is a rear elevation view thereof;
FIG. 7 is left side elevation view thereof; and,
FIG. 8 is a right side elevation view thereof.
The evenly broken lines represent parts of the article that
form no part of the claim. The dot-dash lines represent the
boundaries of the claim and form no part thereof.

1 Claim, 7 Drawing Sheets



(56)

References Cited

U.S. PATENT DOCUMENTS

D731,851 S * 6/2015 Yessin D7/391
D735,524 S * 8/2015 Holding D7/392.1
D760,035 S * 6/2016 Kim D7/629
9,648,669 B2 * 5/2017 Lindsay A47J 36/027
D821,808 S * 7/2018 Diner D7/391
D828,083 S * 9/2018 Zhang D7/392.1
D828,716 S * 9/2018 Zhang D7/392.1
D828,717 S * 9/2018 Zhang D7/392.1
10,138,020 B2 * 11/2018 Gosen B65D 21/0204
D837,591 S * 1/2019 Samartgis D7/392.1
D845,701 S * 4/2019 Rummel D7/392.1
D869,228 S * 12/2019 Zhang D7/392.1
2019/0359396 A1 * 11/2019 Wolters A47J 47/10
2020/0140149 A1 * 5/2020 Ragias B65D 45/20

* cited by examiner

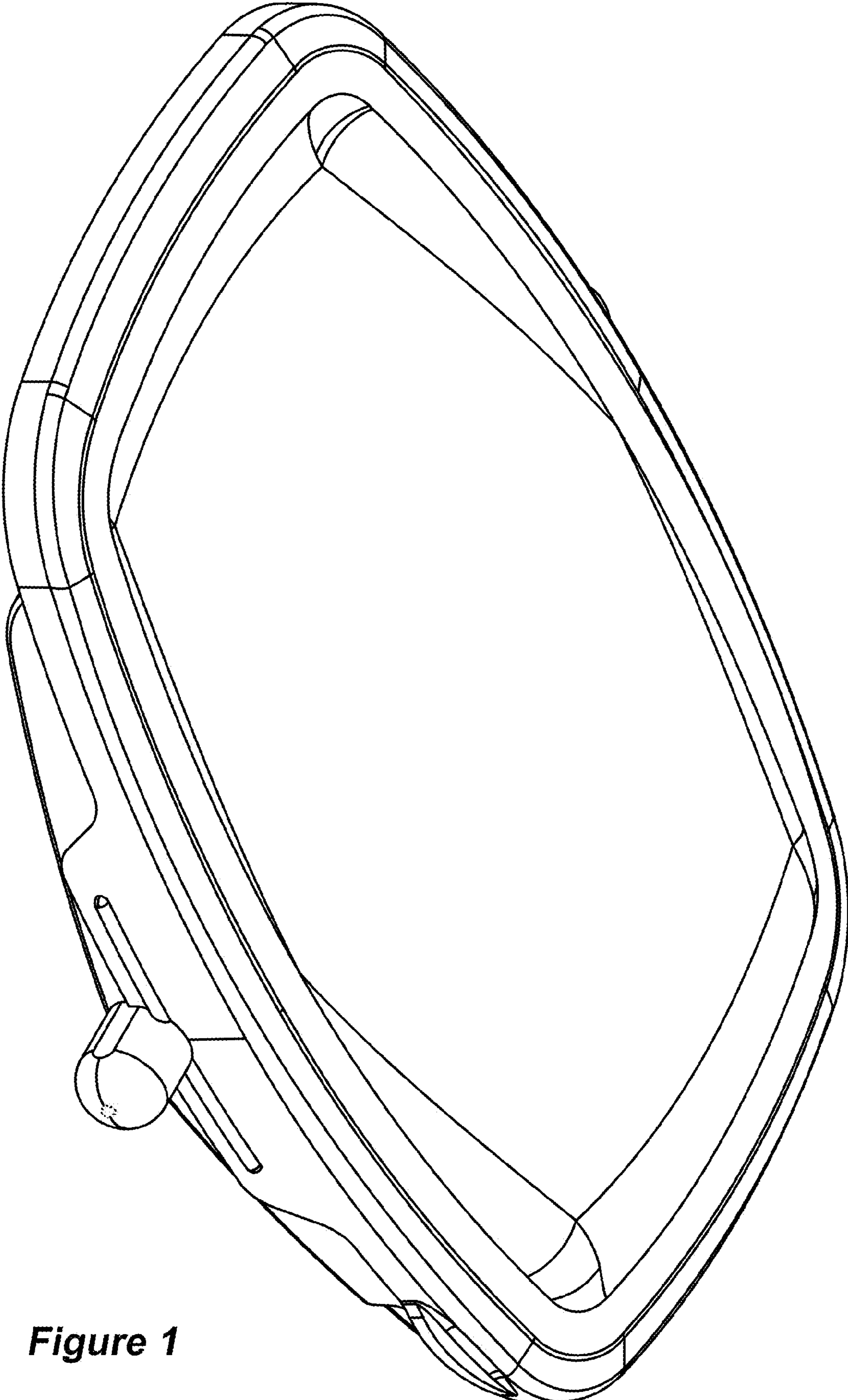


Figure 1

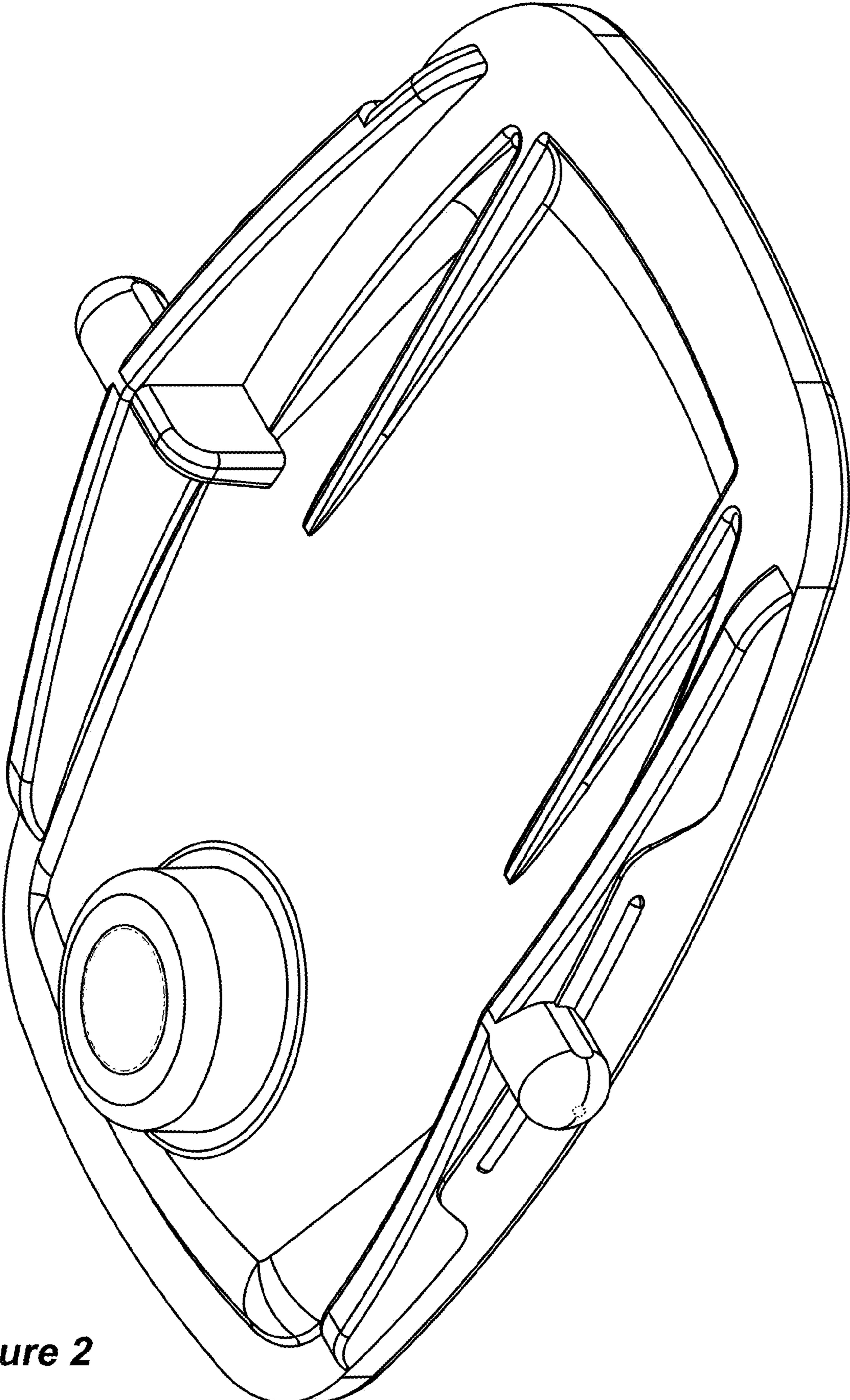


Figure 2

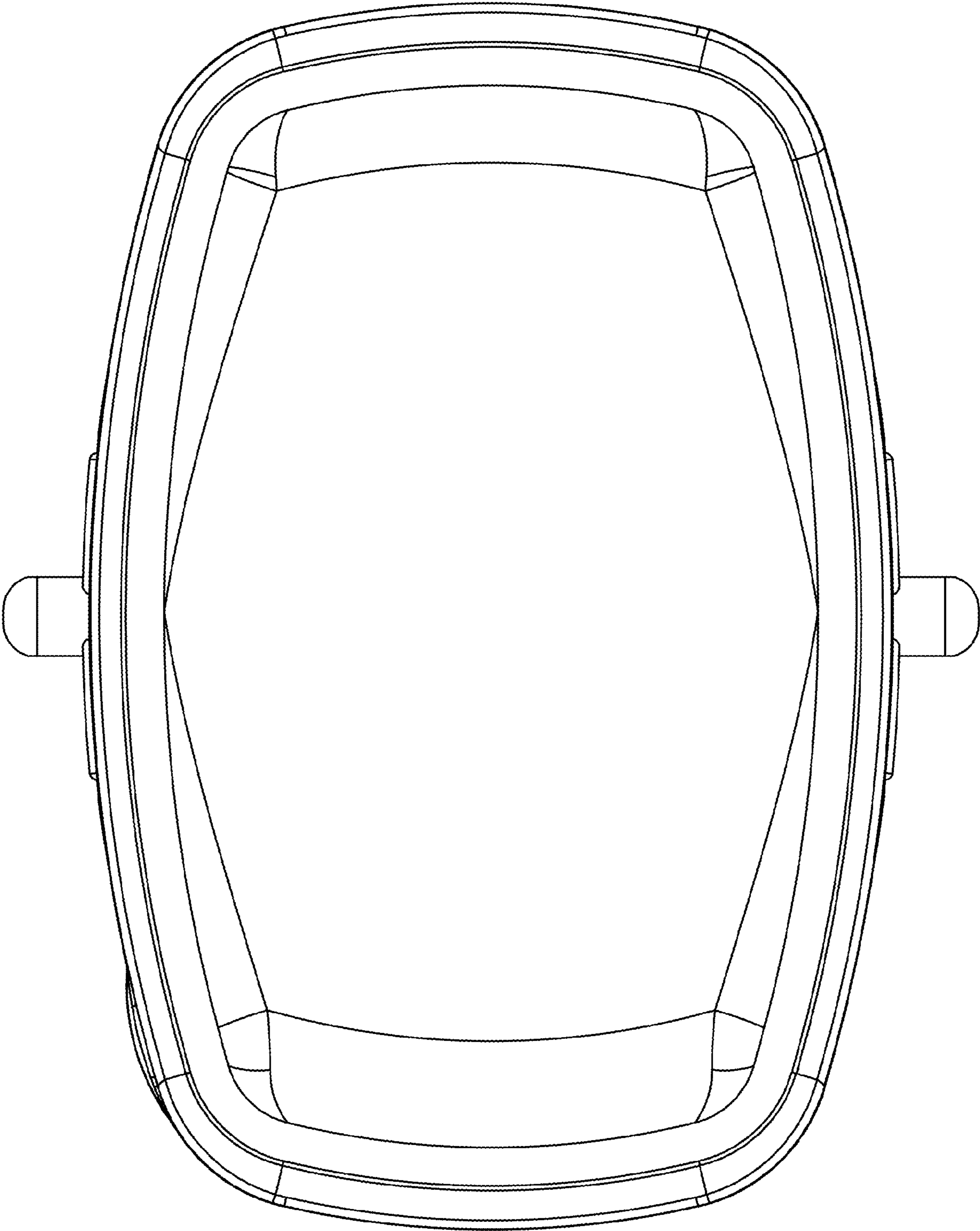


Figure 3

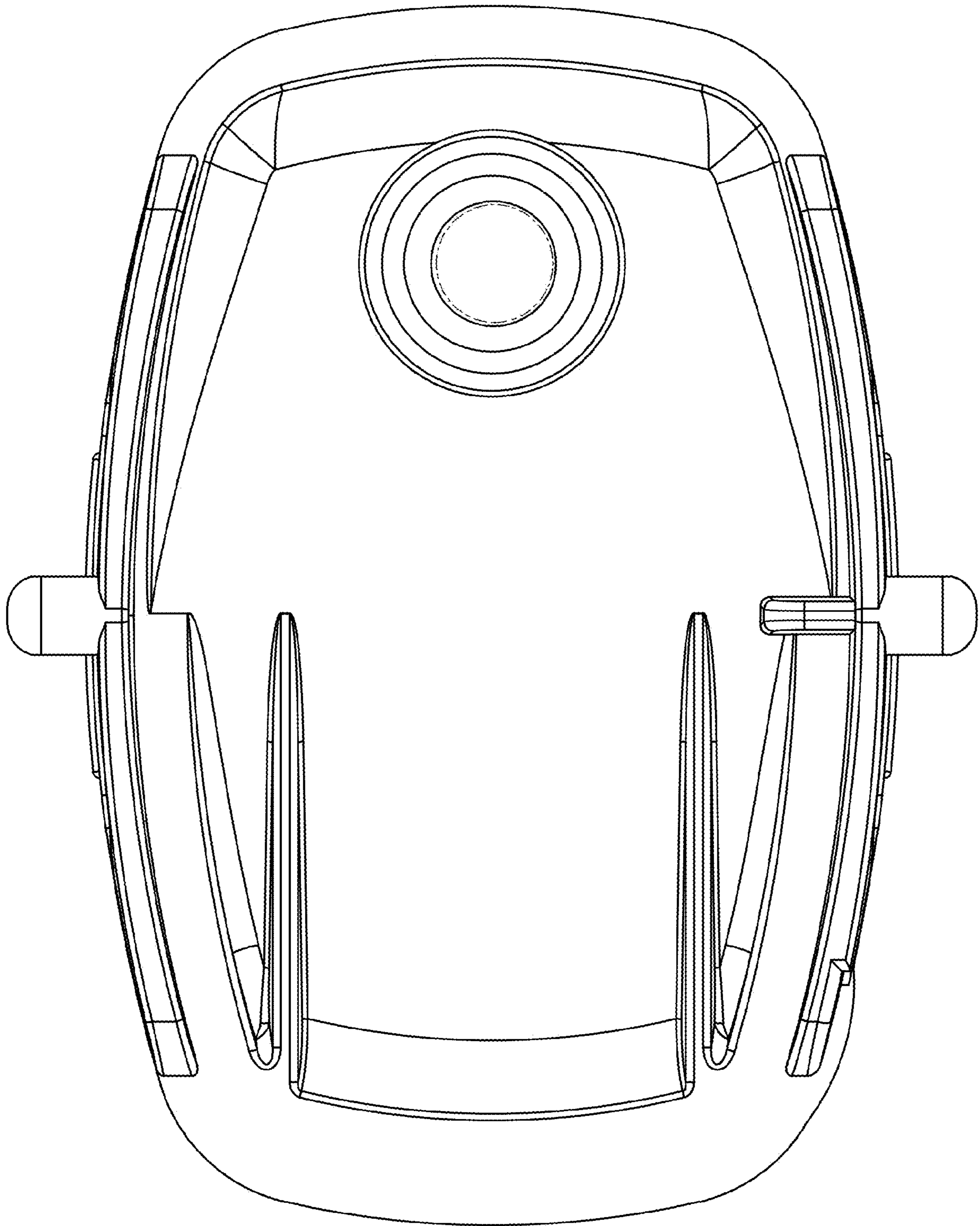


Figure 4

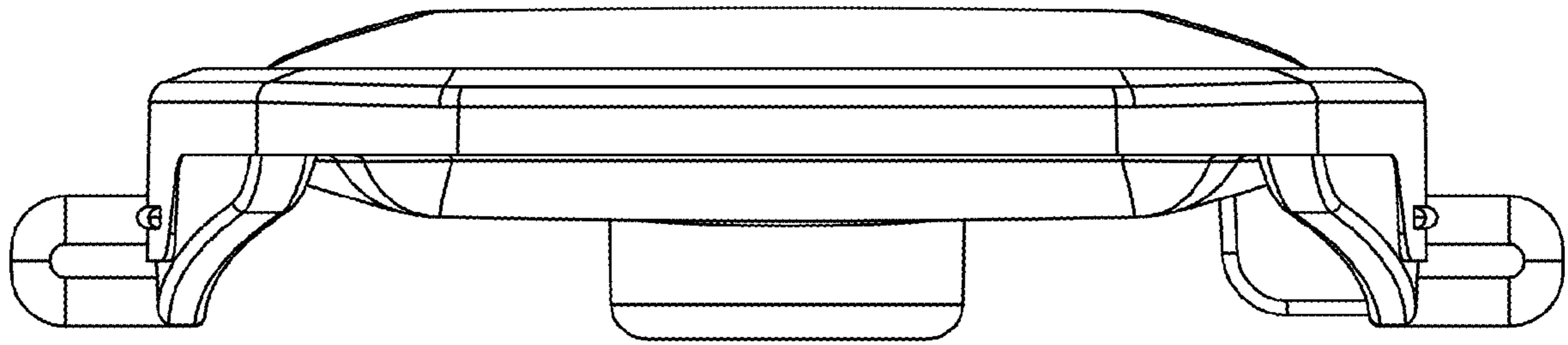


Figure 5

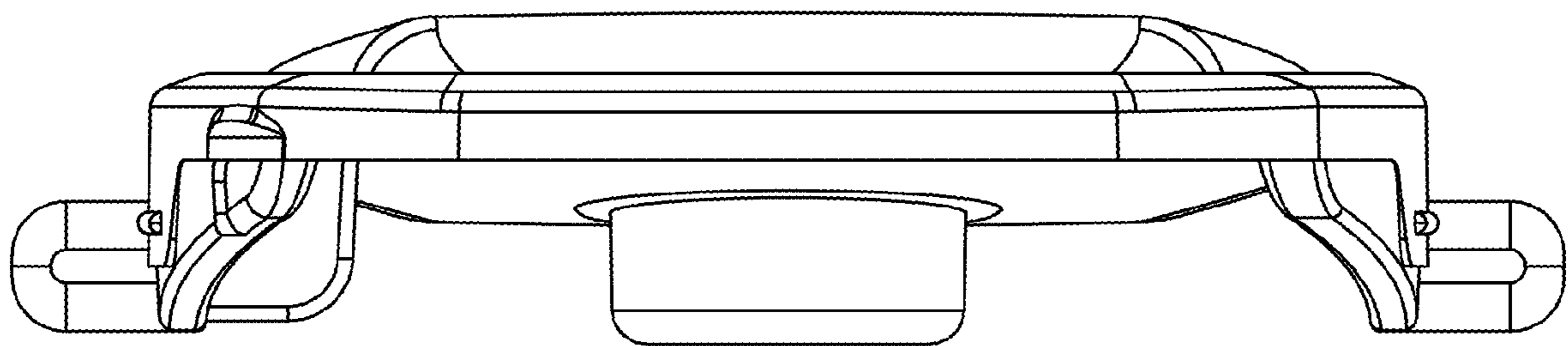


Figure 6

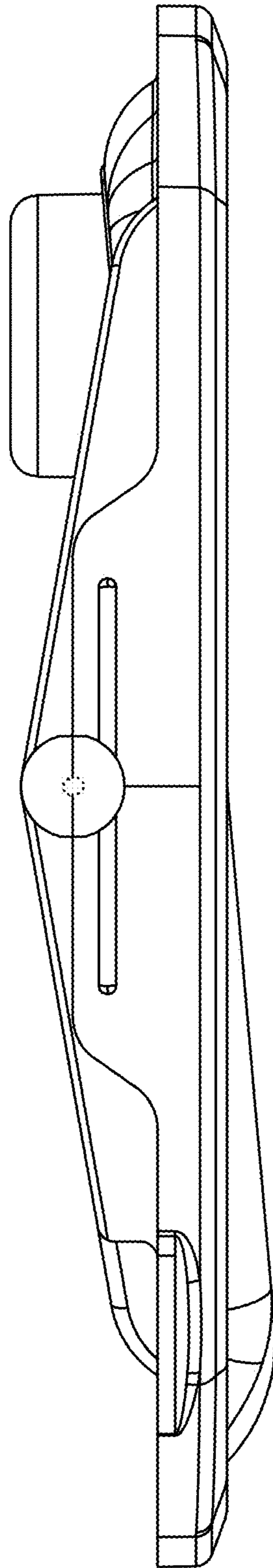


Figure 7

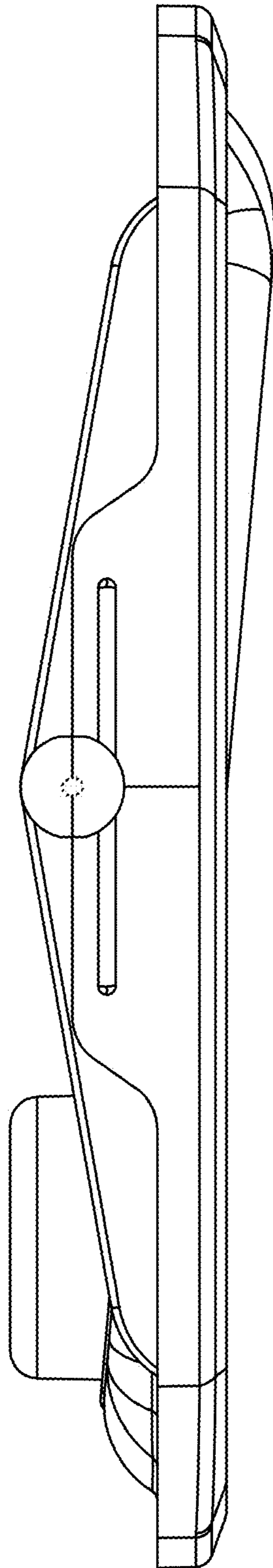


Figure 8