



US00D917959S

(12) **United States Design Patent**
Yao

(10) **Patent No.:** **US D917,959 S**

(45) **Date of Patent:** **** May 4, 2021**

(54) **BOTTLE LID**

(71) Applicant: **EVERICH AND TOMIC HOUSEWARES CO., LTD.**, Zhejiang (CN)

(72) Inventor: **Huajun Yao**, Zhejiang (CN)

(73) Assignee: **EVERICH AND TOMIC HOUSEWARES CO., LTD.**, Hangzhou (CN)

(**) Term: **15 Years**

(21) Appl. No.: **29/706,220**

(22) Filed: **Sep. 18, 2019**

(30) **Foreign Application Priority Data**

Mar. 20, 2019 (CN) 201930115720.6

(51) **LOC (13) Cl.** **07-99**

(52) **U.S. Cl.**
USPC **D7/392; D9/516**

(58) **Field of Classification Search**
USPC D9/434, 435, 439, 440, 442-450, D9/452-457, 499, 503-505, 516, 686; D7/396.2, 507, 509-511, 538, 900, 392, D7/392.1; D3/202, 294, 318; D23/213, D23/223
CPC A47G 19/2272; B65D 2543/00046
See application file for complete search history.

(56) **References Cited**

U.S. PATENT DOCUMENTS

D700,014 S *	2/2014	Zeanah	D7/510
D720,218 S *	12/2014	Hutson	D9/443
D798,111 S *	9/2017	Yao	D7/510
D862,228 S *	10/2019	Yao	D9/443
D900,538 S *	11/2020	Yao	D7/392.1
D904,109 S *	12/2020	Yao	D7/392.1

* cited by examiner

Primary Examiner — Karen S Acker

Assistant Examiner — Steven B Reinholdt, Jr.

(74) *Attorney, Agent, or Firm* — Global IP Services; Tianhua Gu

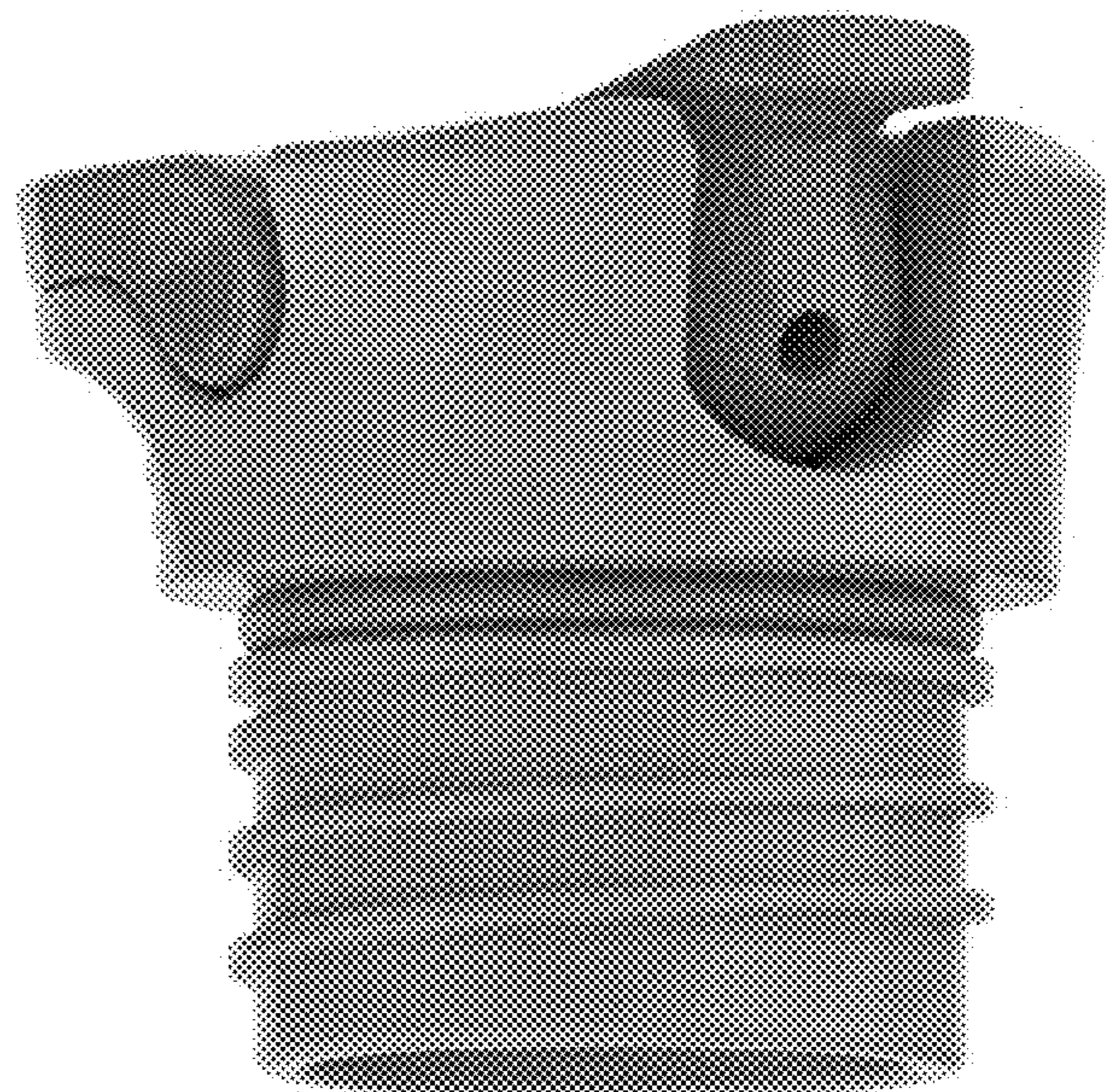
(57) **CLAIM**

The ornamental design for a bottle lid, as shown and described.

DESCRIPTION

FIG. 1 is a front elevational view of a bottle lid, showing my new design;
FIG. 2 is a rear elevational view thereof;
FIG. 3 is a left side elevational view thereof;
FIG. 4 is a right side elevational view thereof;
FIG. 5 is a top plan view thereof;
FIG. 6 is a bottom plan view thereof;
FIG. 7 is a left top perspective view thereof;
FIG. 8 is a right top perspective view thereof;
FIG. 9 is a bottom perspective view thereof; and,
FIG. 10 is a side perspective view thereof.

1 Claim, 10 Drawing Sheets



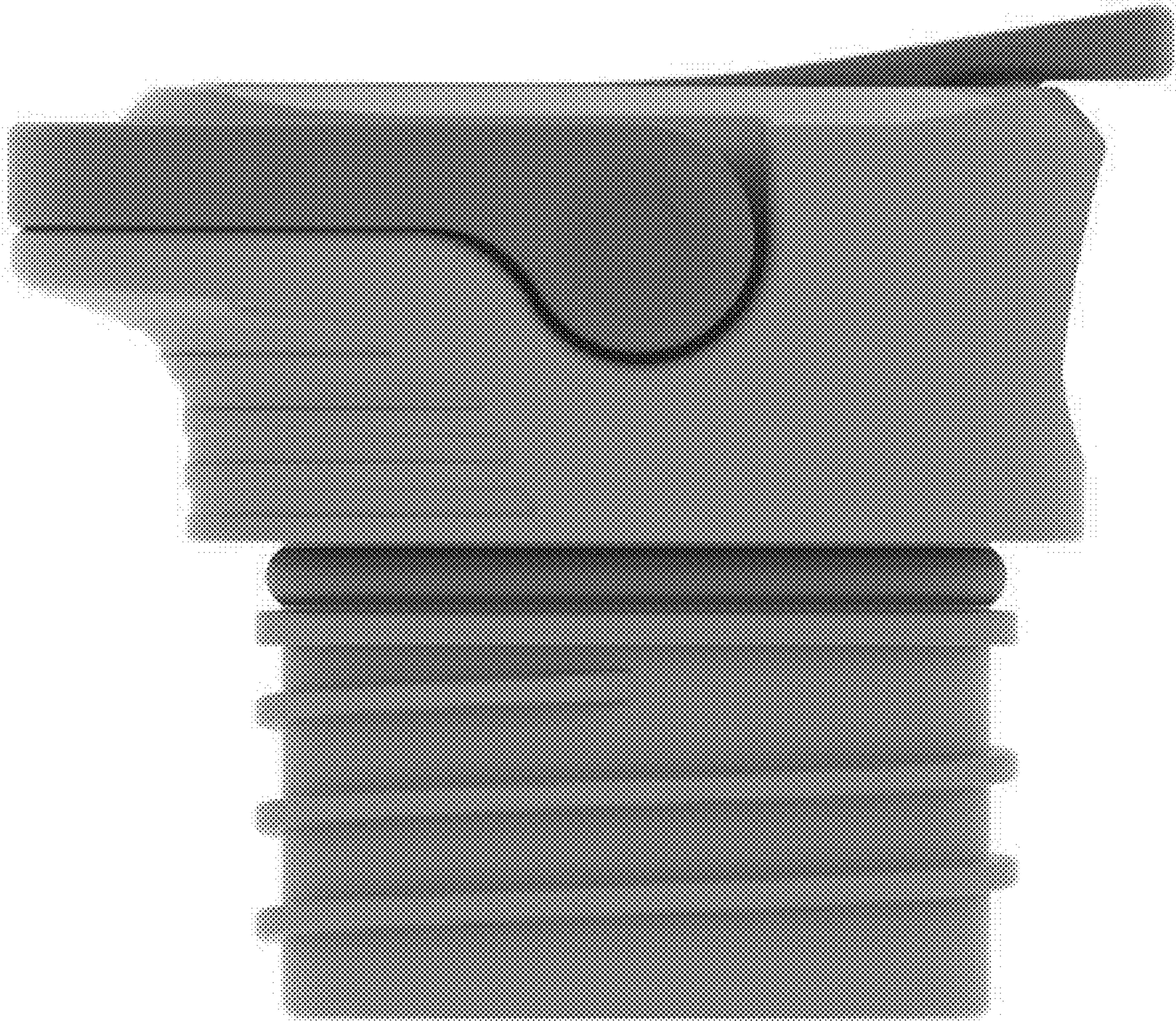


FIG. 1

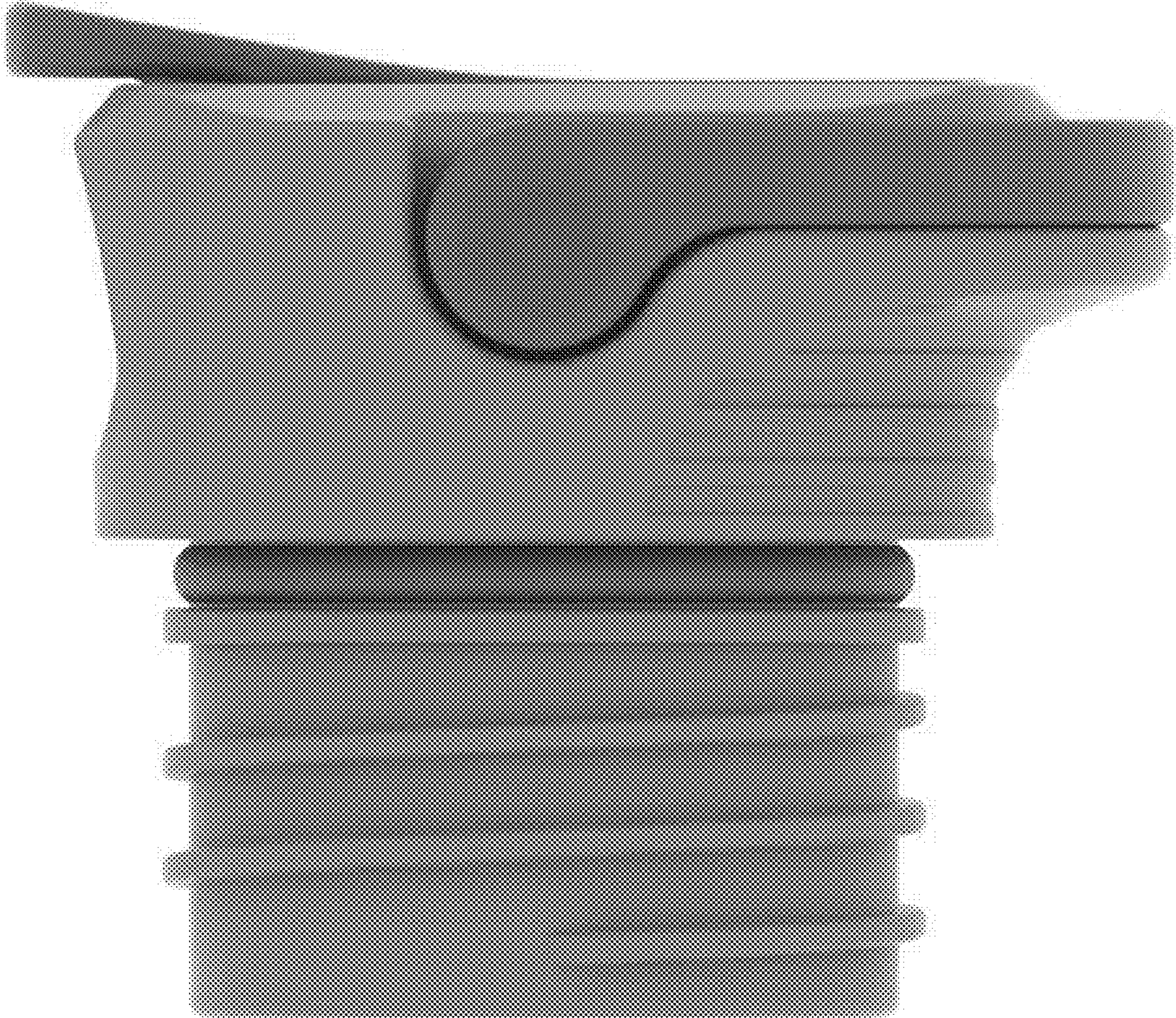


FIG. 2



FIG. 3

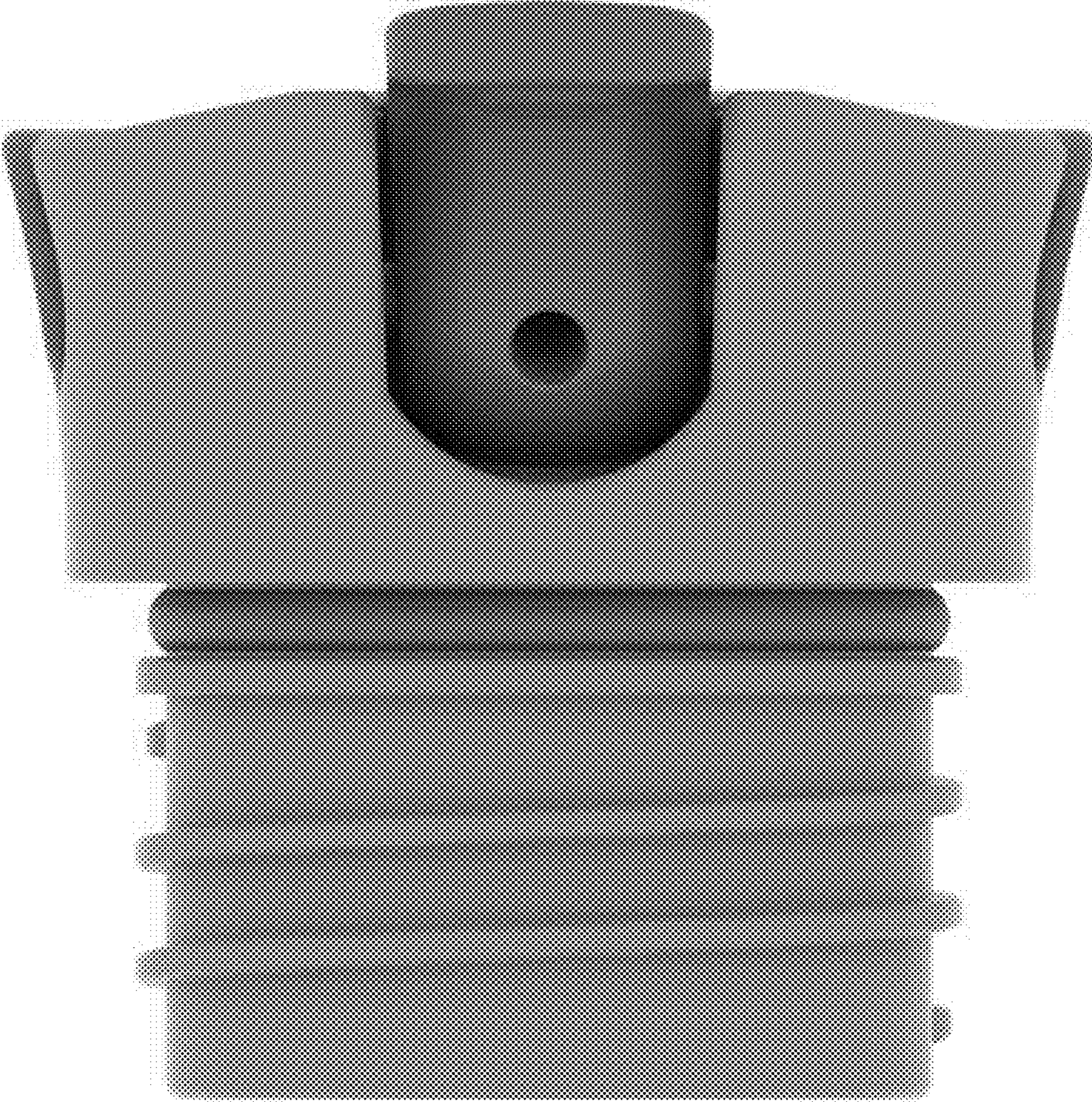


FIG. 4

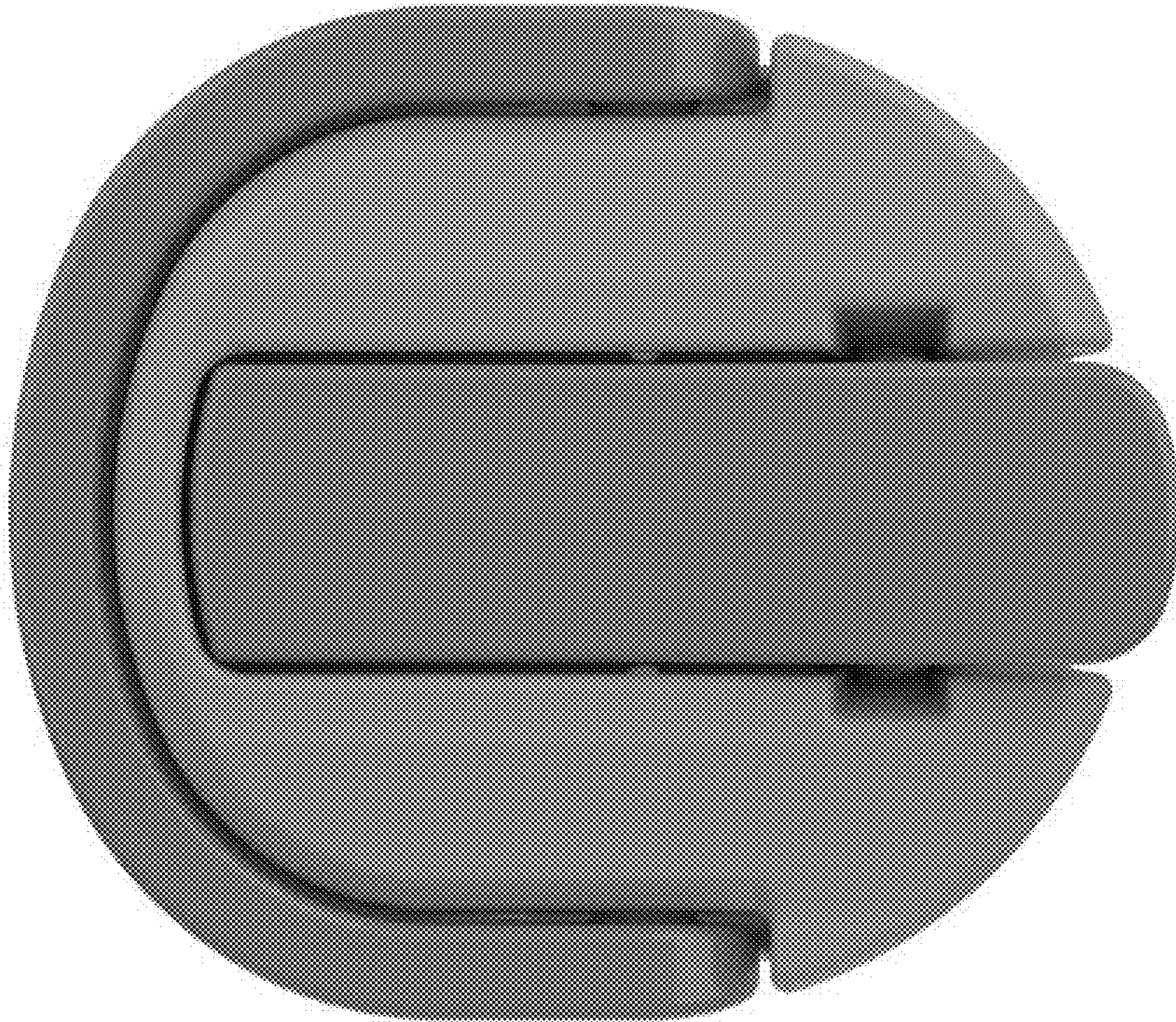


FIG. 5



FIG. 6



FIG. 7

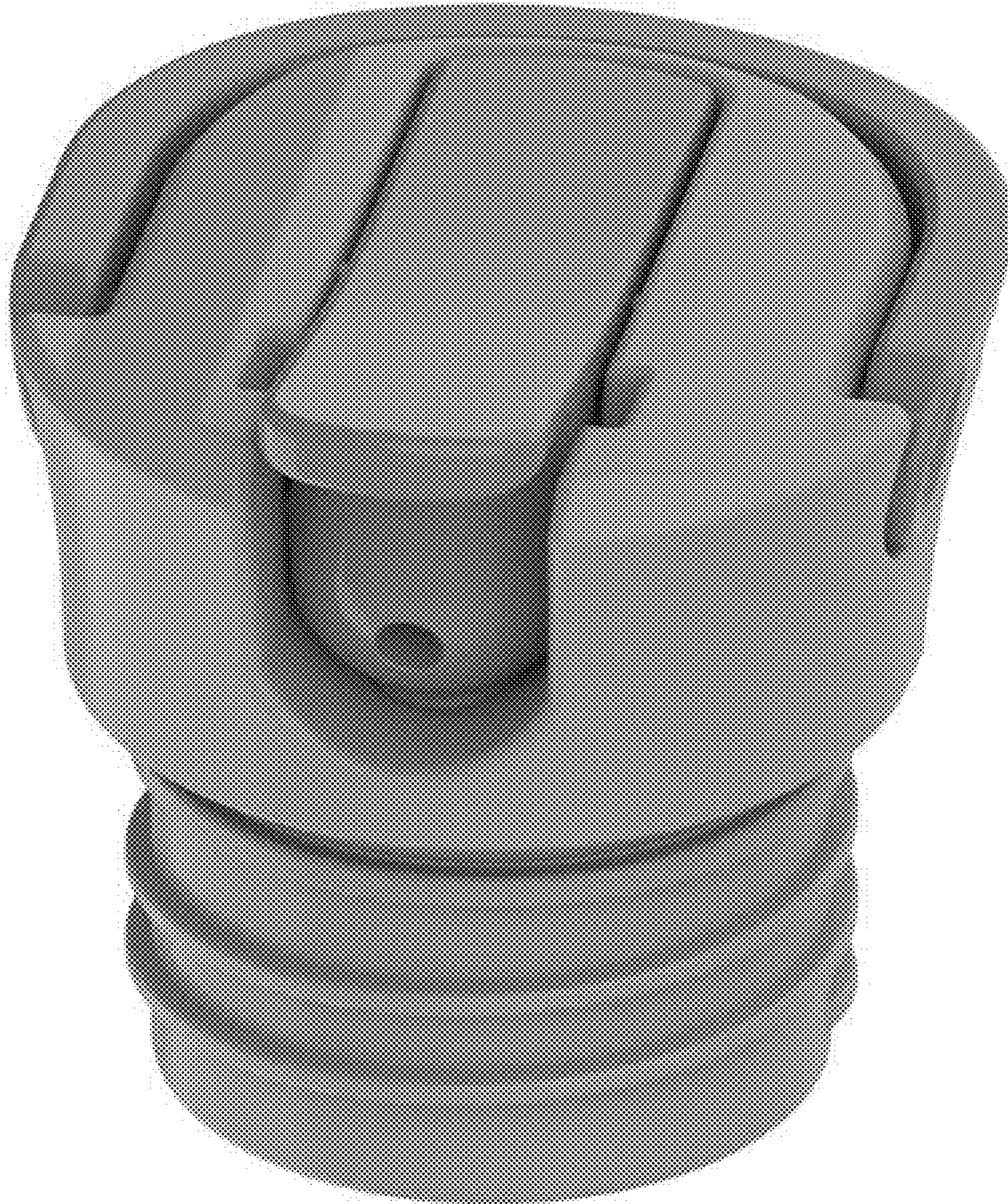


FIG. 8



FIG. 9

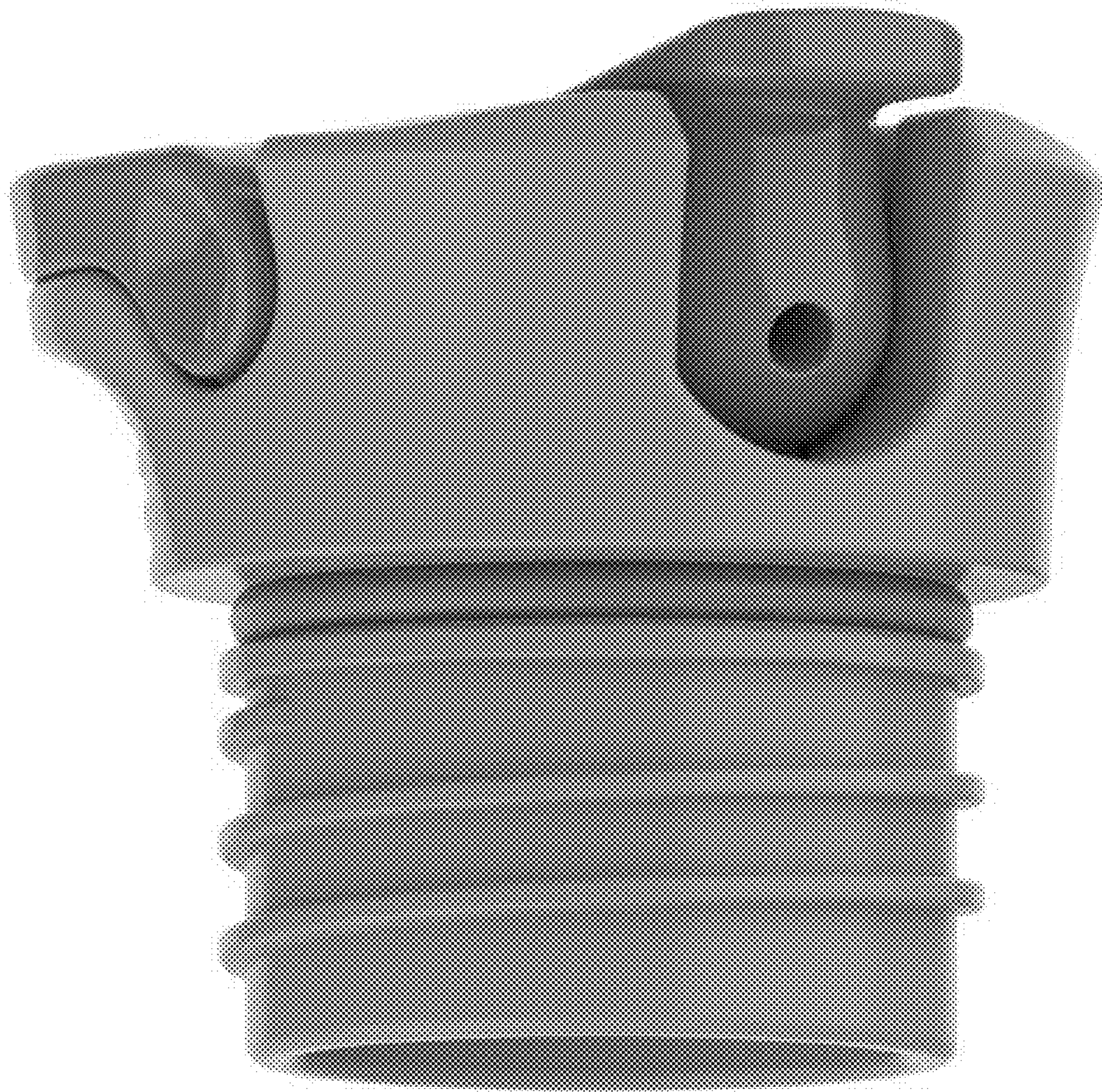


FIG. 10