



US00D917958S

(12) **United States Design Patent**
Yao

(10) **Patent No.:** **US D917,958 S**

(45) **Date of Patent:** **** May 4, 2021**

(54) **BOTTLE LID**

(71) Applicant: **EVERICH AND TOMIC HOUSEWARES CO., LTD.**, Zhejiang (CN)

(72) Inventor: **Huajun Yao**, Zhejiang (CN)

(73) Assignee: **EVERICH AND TOMIC HOUSEWARES CO., LTD.**, Zhejiang (CN)

(**) Term: **15 Years**

(21) Appl. No.: **29/706,219**

(22) Filed: **Sep. 18, 2019**

(30) **Foreign Application Priority Data**

Mar. 20, 2019 (CN) 201930115727.8

(51) **LOC (13) Cl.** **07-99**

(52) **U.S. Cl.**
USPC **D7/392**; D9/516

(58) **Field of Classification Search**
USPC D9/434, 435, 439, 440, 442-450, D9/452-457, 499, 503-505, 516, 686; D7/396.2, 507, 509-511, 538, 900, 392, D7/392.1; D3/202, 294, 318; D23/213, D23/223
CPC A47G 19/2272; B65D 2543/00046
See application file for complete search history.

(56) **References Cited**

U.S. PATENT DOCUMENTS

D657,618 S * 4/2012 Wahl D7/392.1
D683,581 S * 6/2013 Archer D7/392.1
D700,014 S * 2/2014 Zeanah D7/510

D719,780 S * 12/2014 Sullivan D7/392.1
D721,276 S * 1/2015 Herbst D9/449
D787,886 S * 5/2017 Cerasani D7/510
D802,993 S * 11/2017 Joseph D7/392.1
D811,810 S * 3/2018 Joseph D7/392.1
D812,419 S * 3/2018 Yao D7/392.1
D838,549 S * 1/2019 Gu D7/510
D862,228 S * 10/2019 Yao D9/443
D862,985 S * 10/2019 Backs D7/511
D871,132 S * 12/2019 Yao D7/392.1
D871,833 S * 1/2020 Farsai A47G 19/2266
D884,419 S * 5/2020 Backs D7/392.1
D884,419 S * 5/2020 Backs D7/396.2
D897,760 S * 10/2020 Feng D7/392.1
D900,537 S * 11/2020 Yao D7/392.1
D903,403 S * 12/2020 Ames D7/392
2018/0192800 A1 * 7/2018 Coon A47G 19/2272

* cited by examiner

Primary Examiner — Karen S Acker

Assistant Examiner — Steven B Reinholdt, Jr.

(74) *Attorney, Agent, or Firm* — Global IP Services; Tianhua Gu

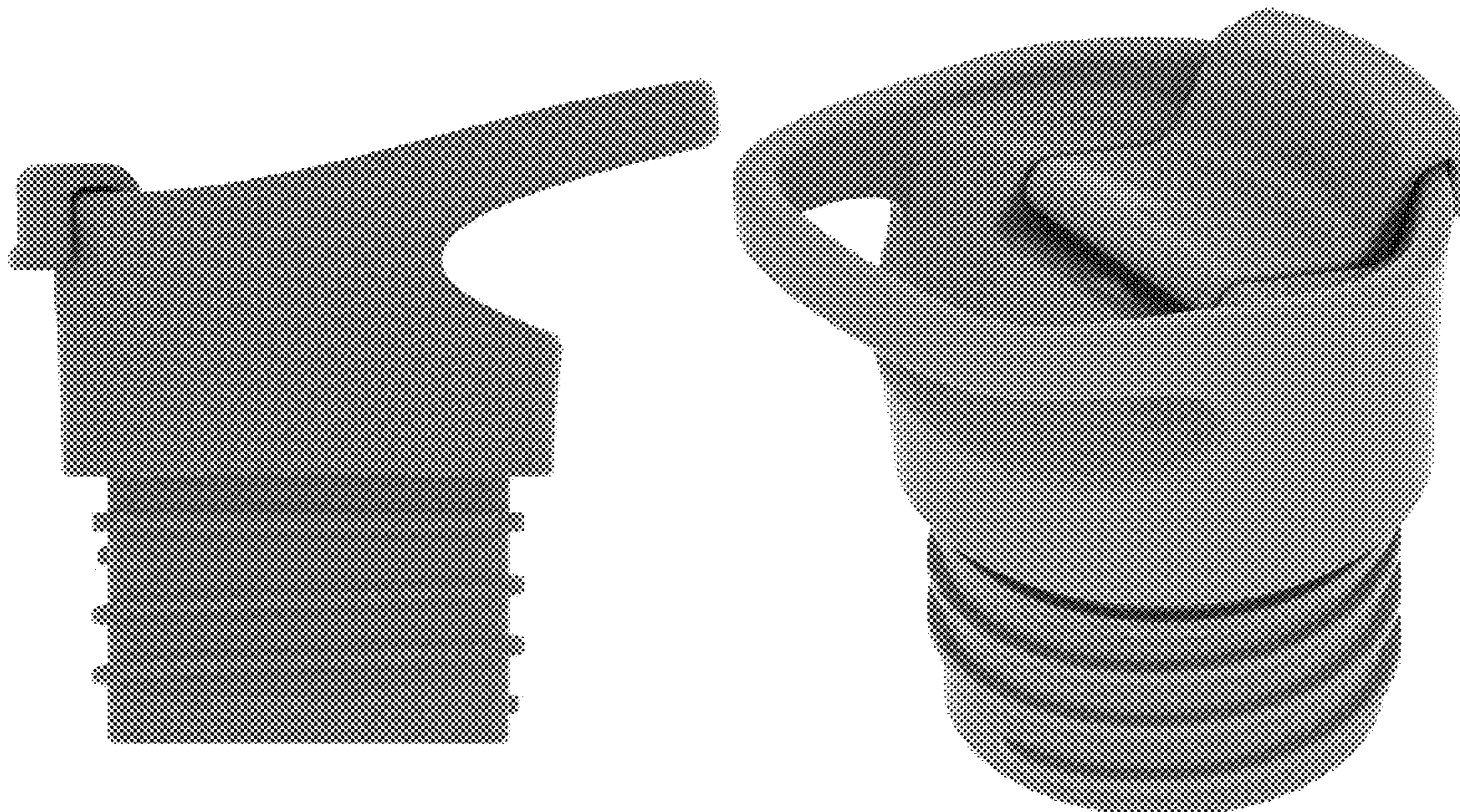
(57) **CLAIM**

The ornamental design for a bottle lid, as shown and described.

DESCRIPTION

FIG. 1 is a front elevational view of a bottle lid, showing my new design;
FIG. 2 is a rear elevational view thereof;
FIG. 3 is a left side elevational view thereof;
FIG. 4 is a right side elevational view thereof;
FIG. 5 is a top plan view thereof;
FIG. 6 is a bottom plan view thereof;
FIG. 7 is a top perspective view thereof; and,
FIG. 8 is a bottom perspective view thereof.

1 Claim, 8 Drawing Sheets



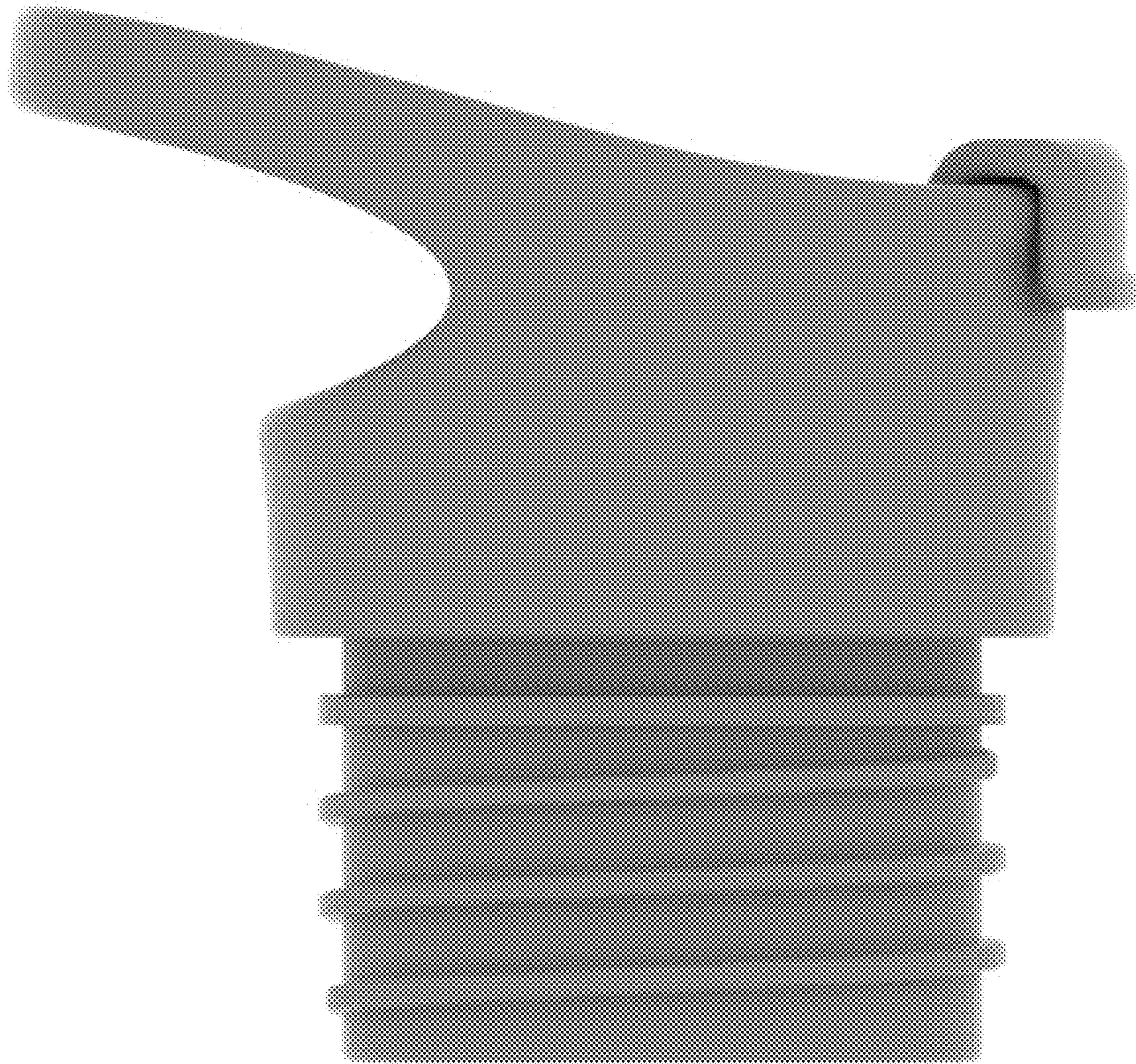


FIG. 1

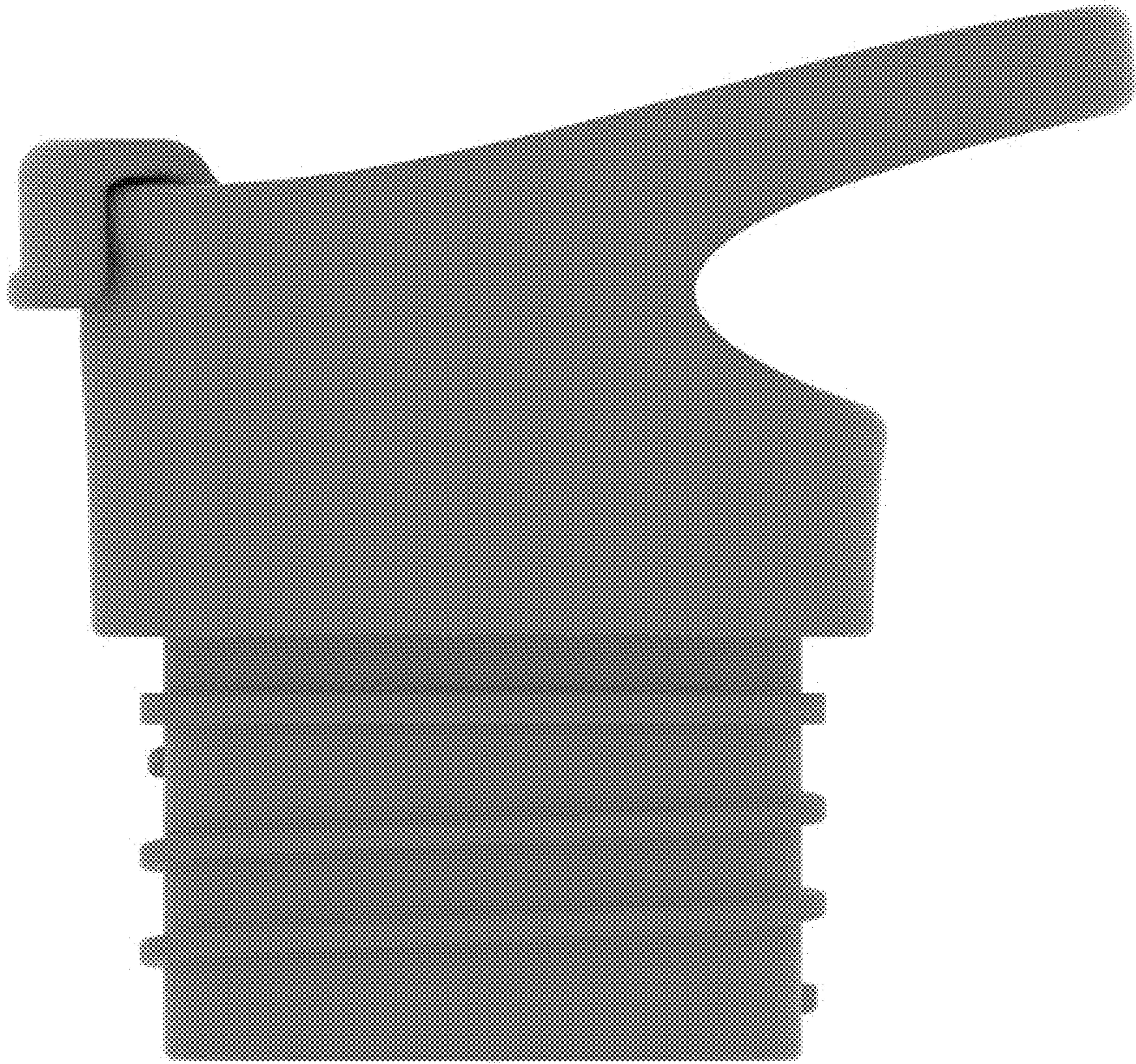


FIG. 2

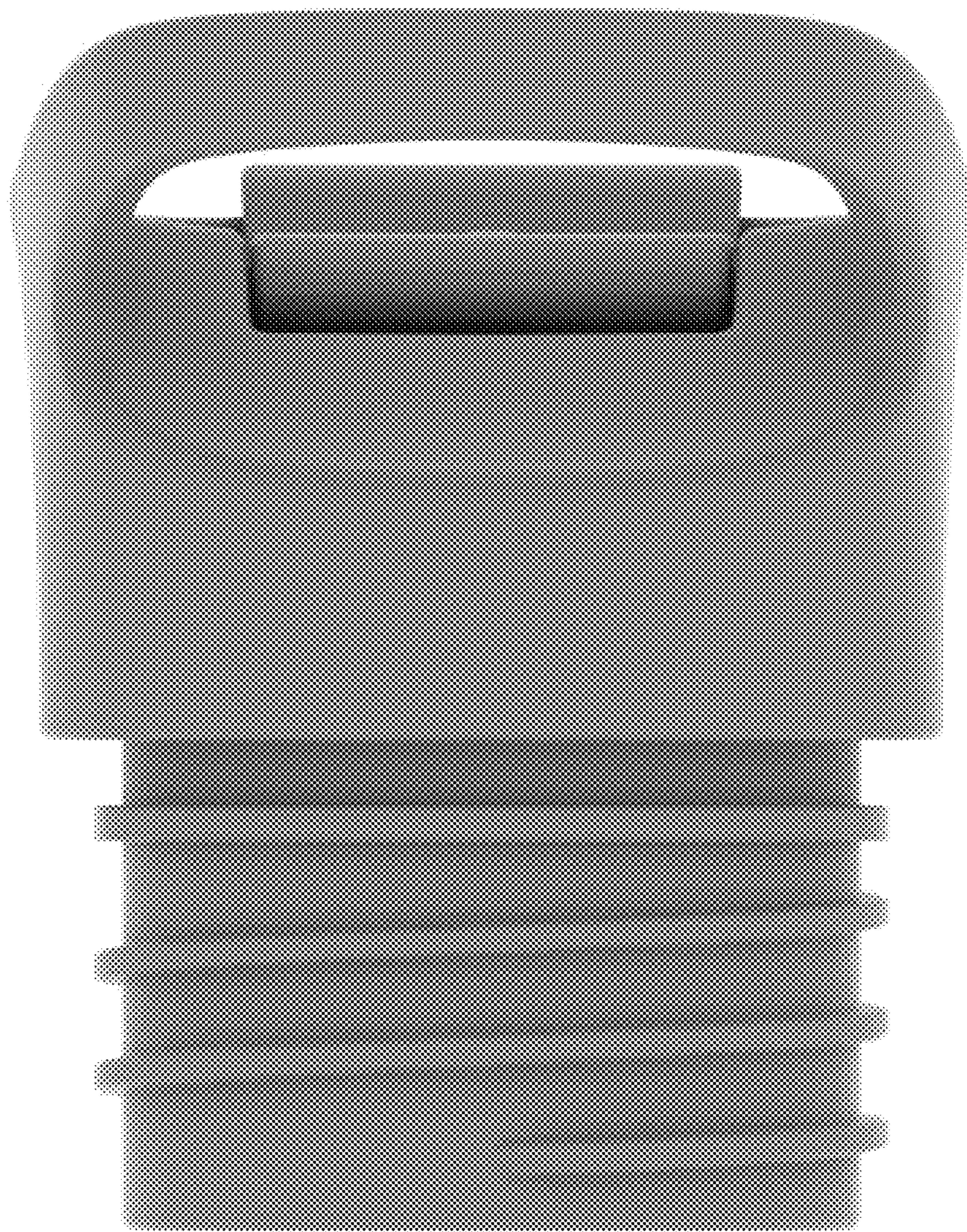


FIG. 3



FIG. 4

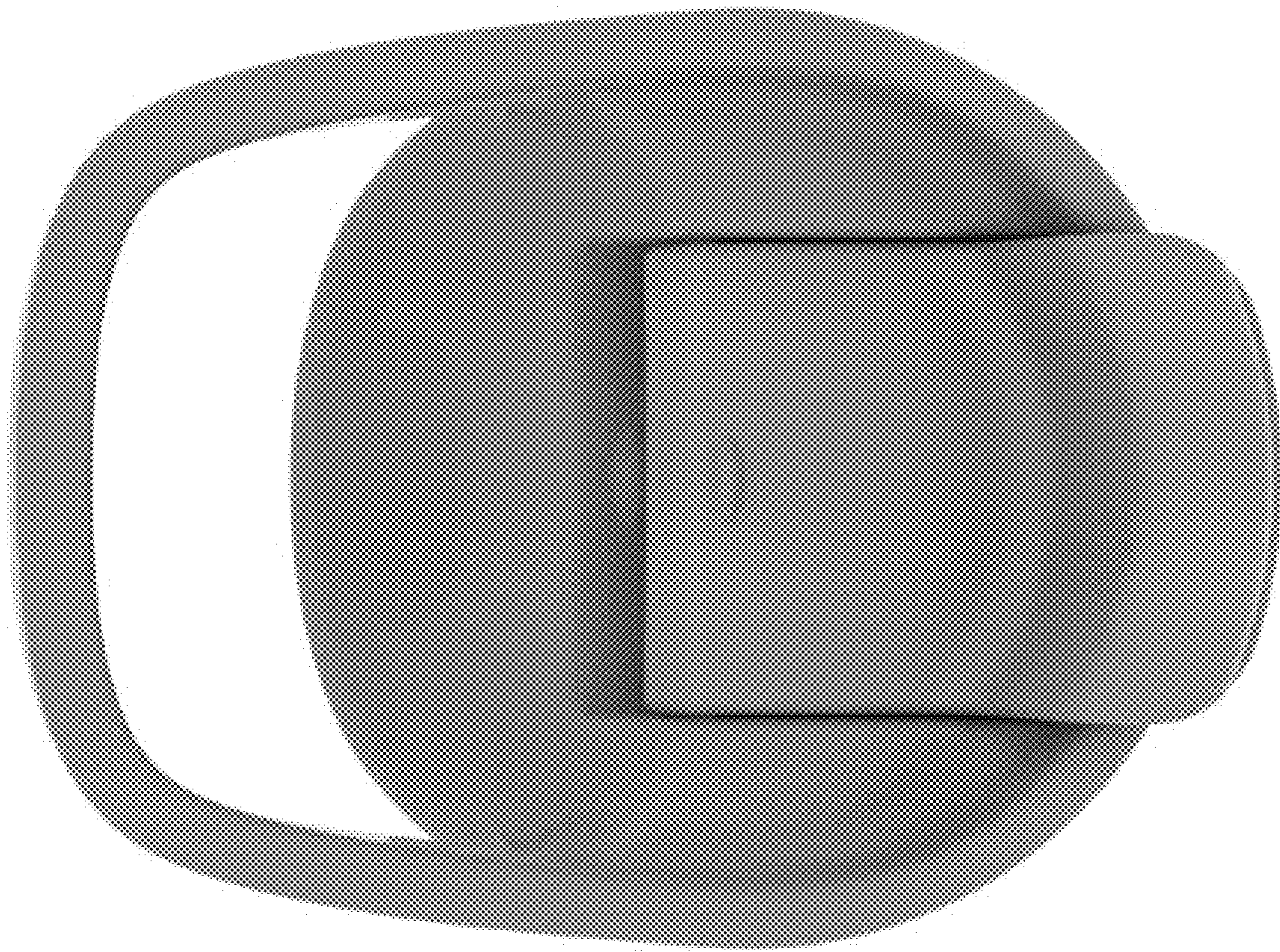


FIG. 5

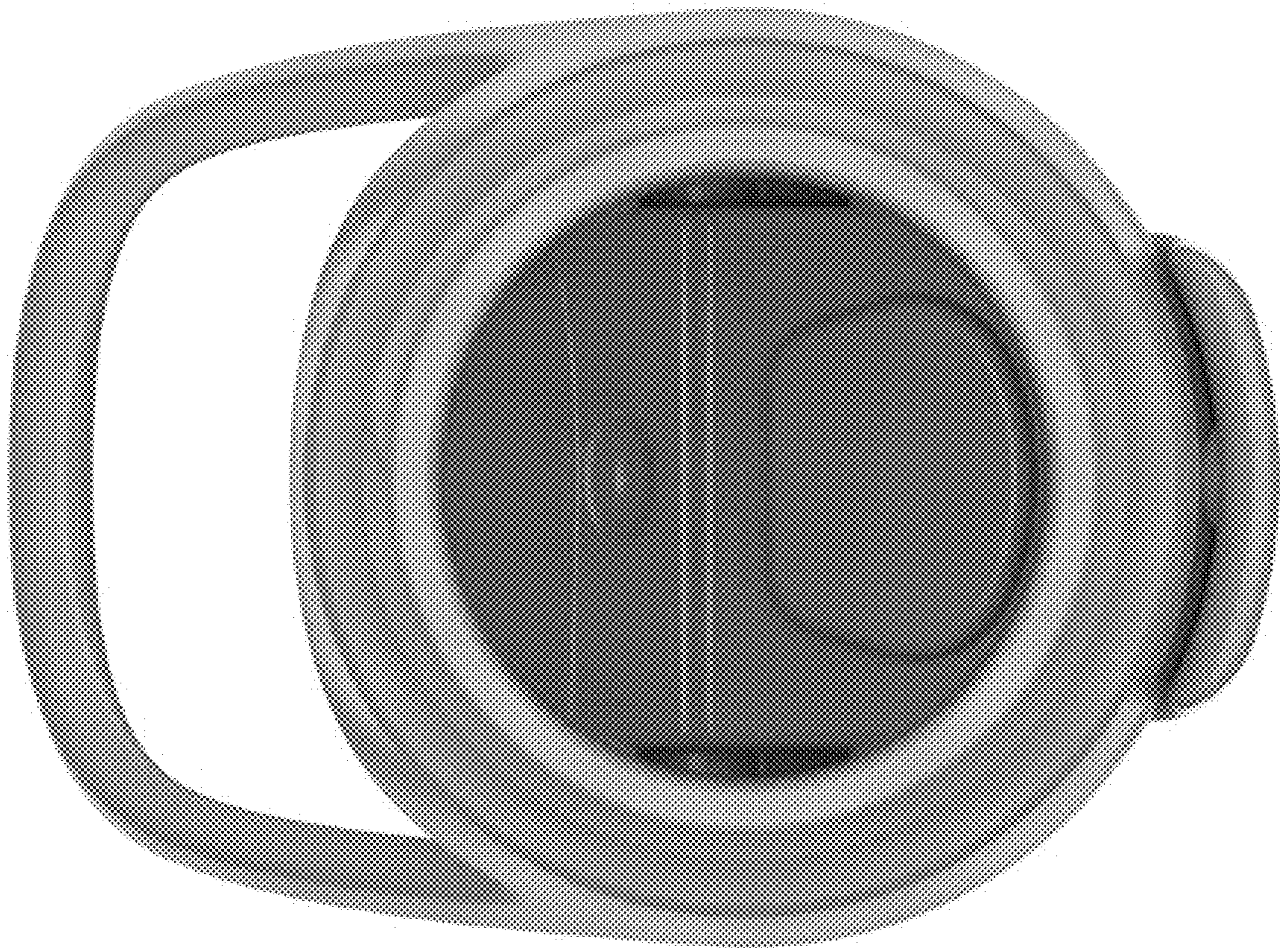


FIG. 6



FIG. 7



FIG. 8