



US00D917957S

(12) **United States Design Patent** (10) **Patent No.:** **US D917,957 S**
Yao (45) **Date of Patent:** **** May 4, 2021**

(54) **BOTTLE LID**

(71) Applicant: **EVERICH AND TOMIC HOUSEWARES CO., LTD.**, Zhejiang (CN)

(72) Inventor: **Huajun Yao**, Zhejiang (CN)

(73) Assignee: **EVERICH AND TOMIC HOUSEWARES CO., LTD.**, Zhejiang (CN)

(**) Term: **15 Years**

(21) Appl. No.: **29/706,218**

(22) Filed: **Sep. 18, 2019**

(30) **Foreign Application Priority Data**

Mar. 20, 2019 (CN) 201930115723.X

(51) **LOC (13) Cl.** **07-99**

(52) **U.S. Cl.**
USPC **D7/392; D9/516**

(58) **Field of Classification Search**
USPC D9/434, 435, 439, 440, 442-450, D9/452-457, 499, 503-505, 516, 686; D7/396.2, 507, 509-511, 538, 900, 392, D7/392.1; D3/202, 294, 318; D23/213, D23/223
CPC A47G 19/2272; B65D 2543/00046
See application file for complete search history.

(56) **References Cited**

U.S. PATENT DOCUMENTS

D608,640 S * 1/2010 Carreno D9/449
D660,081 S * 5/2012 Gilbert D7/509
D675,059 S * 1/2013 Carreno D7/392.1
8,464,895 B2 * 6/2013 Gilbert A47G 19/2272
220/703

D686,448 S * 7/2013 Boroski D7/392.1
D686,872 S * 7/2013 Lane D7/392.1
D696,900 S * 1/2014 George D7/392.1
D707,492 S * 6/2014 George D7/510
D725,966 S * 4/2015 Boroski D7/511
D747,136 S * 1/2016 Lane D7/396.2
D748,942 S * 2/2016 Boroski D7/391
D772,652 S * 11/2016 Yao D7/511
D801,111 S * 10/2017 Eyal D7/392.1
D821,136 S * 6/2018 Silsby D7/392.1
D862,228 S * 10/2019 Yao D9/443
D880,941 S * 4/2020 Silsby D7/510
D885,120 S * 5/2020 Yao D7/392
D896,573 S * 9/2020 Wu D7/392.1
D899,181 S * 10/2020 Xie D7/392.1
2012/0325815 A1 * 12/2012 Gilbert A47G 19/2272
220/264

* cited by examiner

Primary Examiner — Karen S Acker

Assistant Examiner — Steven B Reinholdt, Jr.

(74) *Attorney, Agent, or Firm* — Global IP Services; Tianhua Gu

(57) **CLAIM**

The ornamental design for a bottle lid, as shown and described.

DESCRIPTION

FIG. 1 is a front elevational view of a bottle lid, showing my new design;
FIG. 2 is a rear elevational view thereof;
FIG. 3 is a left side elevational view thereof;
FIG. 4 is a right side elevational view thereof;
FIG. 5 is a top plan view thereof;
FIG. 6 is a bottom plan view thereof;
FIG. 7 is a front perspective view thereof;
FIG. 8 is a rear perspective view thereof;
FIG. 9 is a left perspective view thereof; and
FIG. 10 is a bottom perspective view thereof.

1 Claim, 10 Drawing Sheets

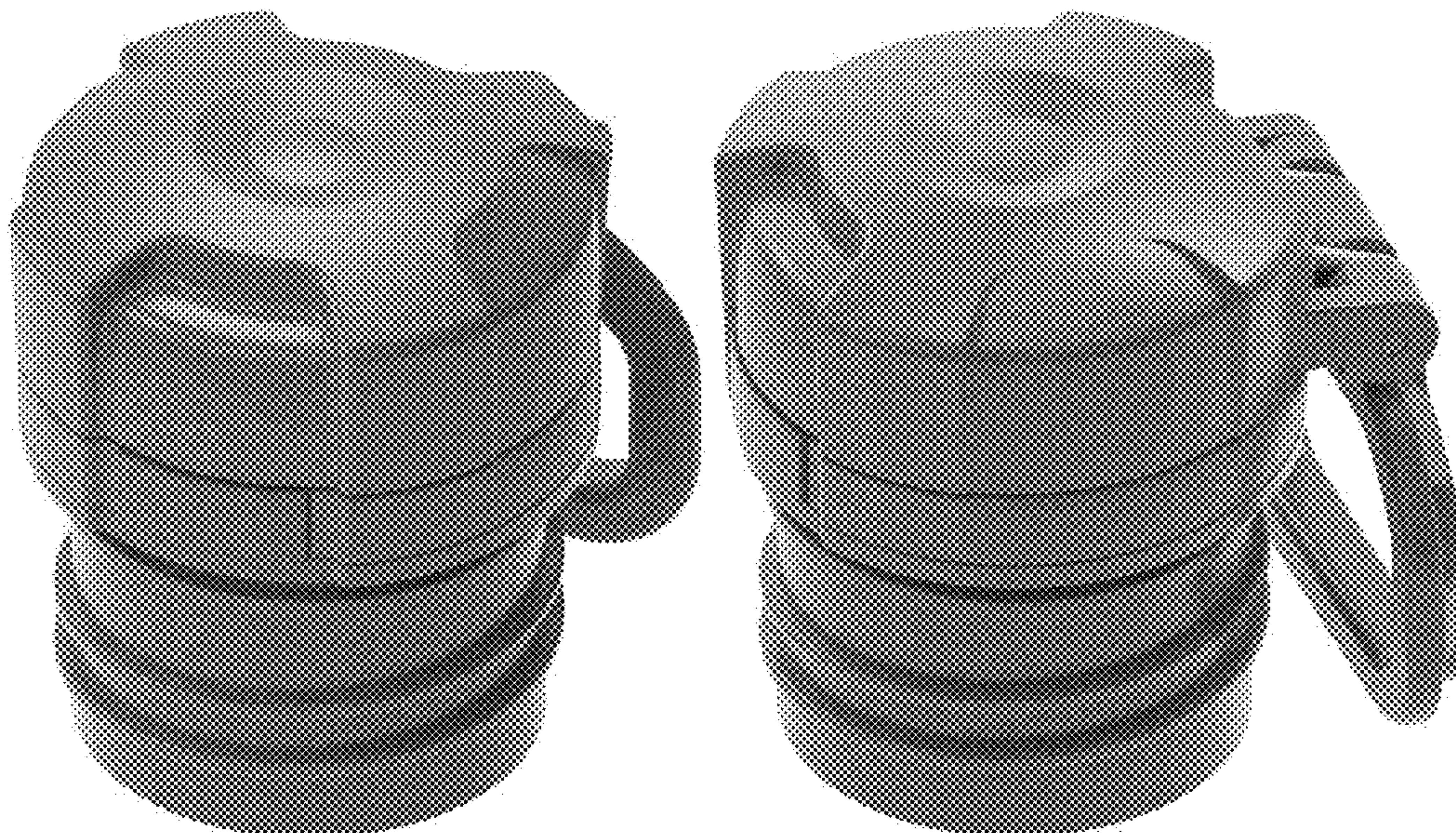




FIG. 1

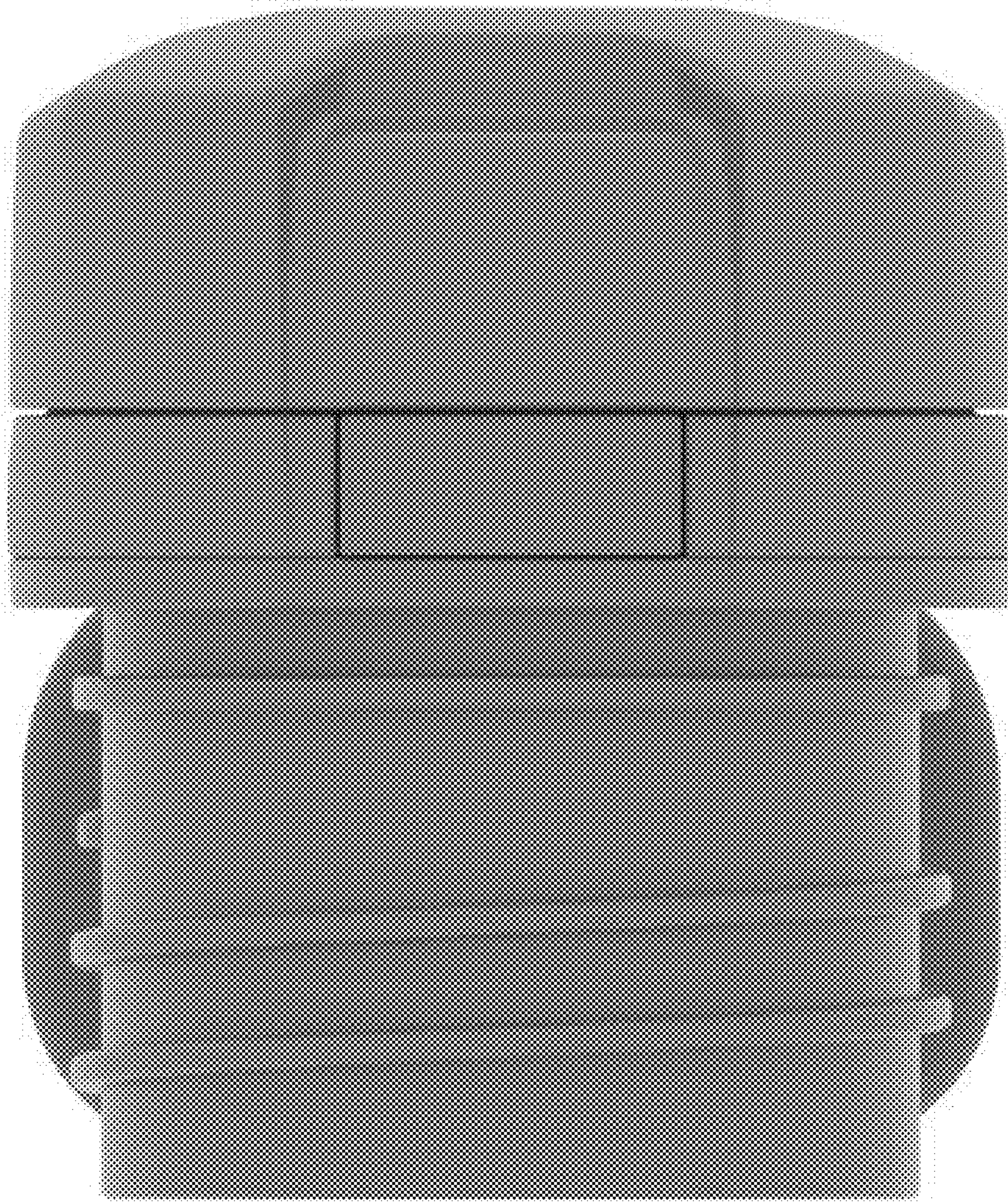


FIG. 2

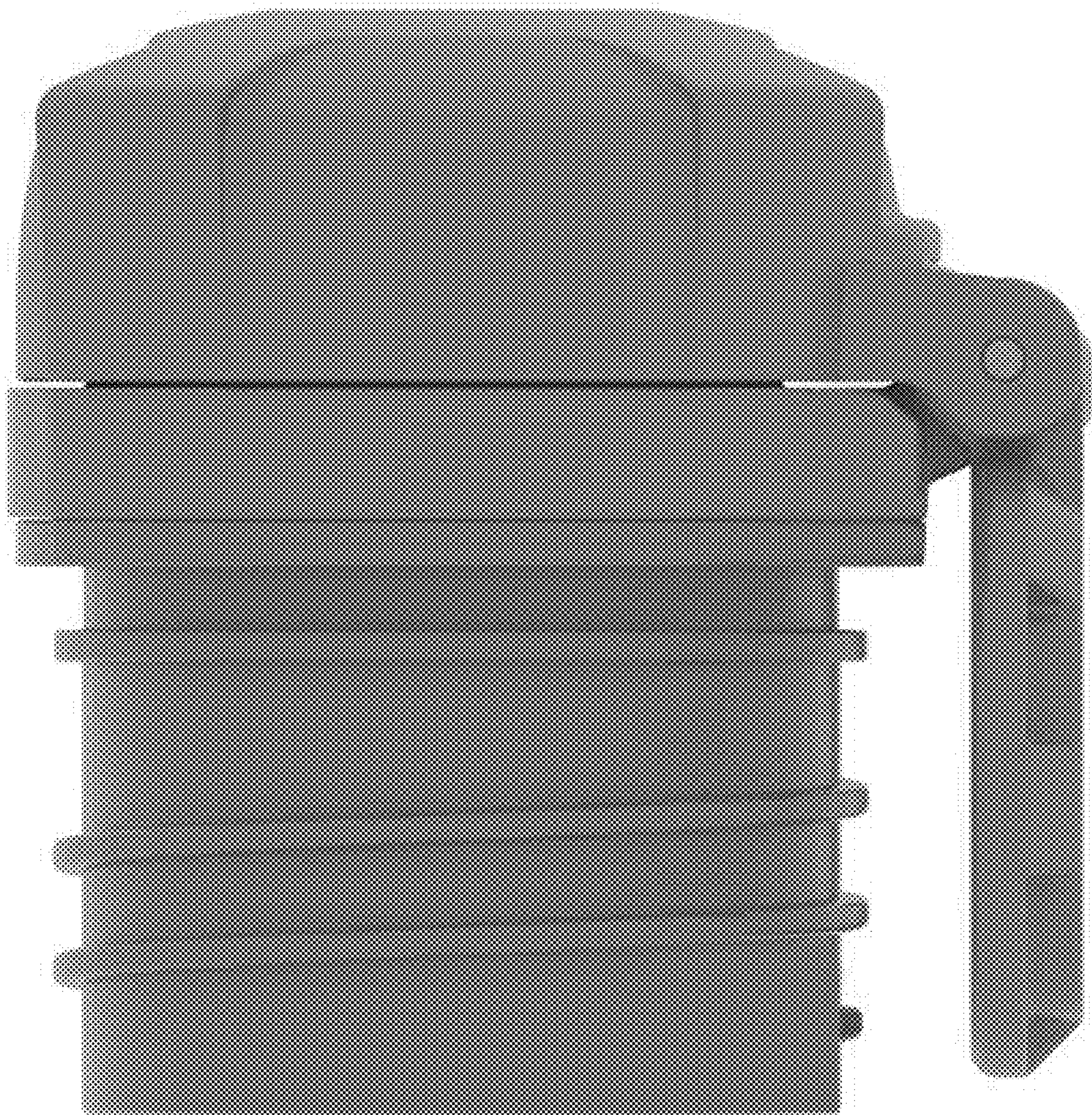


FIG. 3

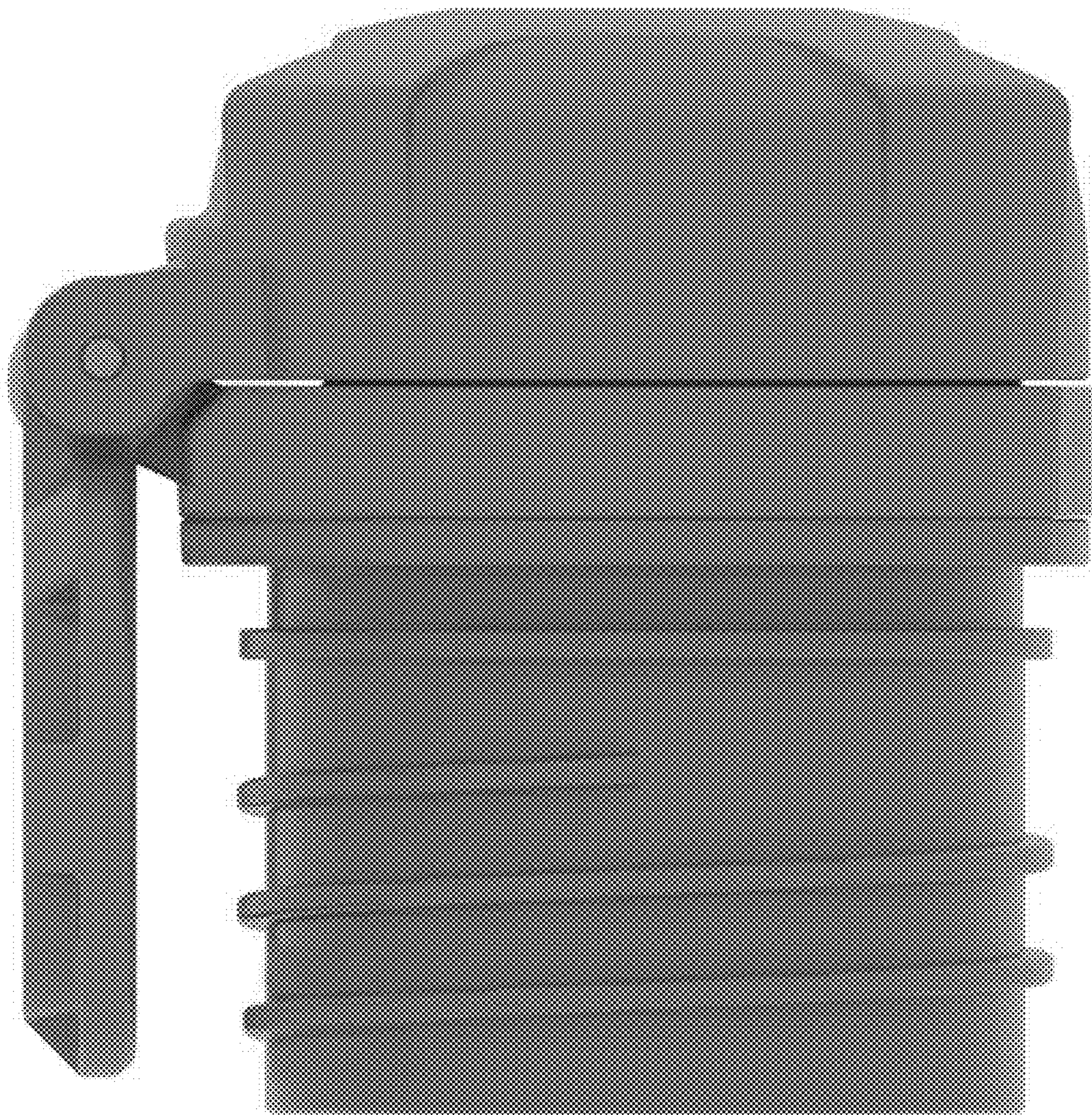


FIG. 4

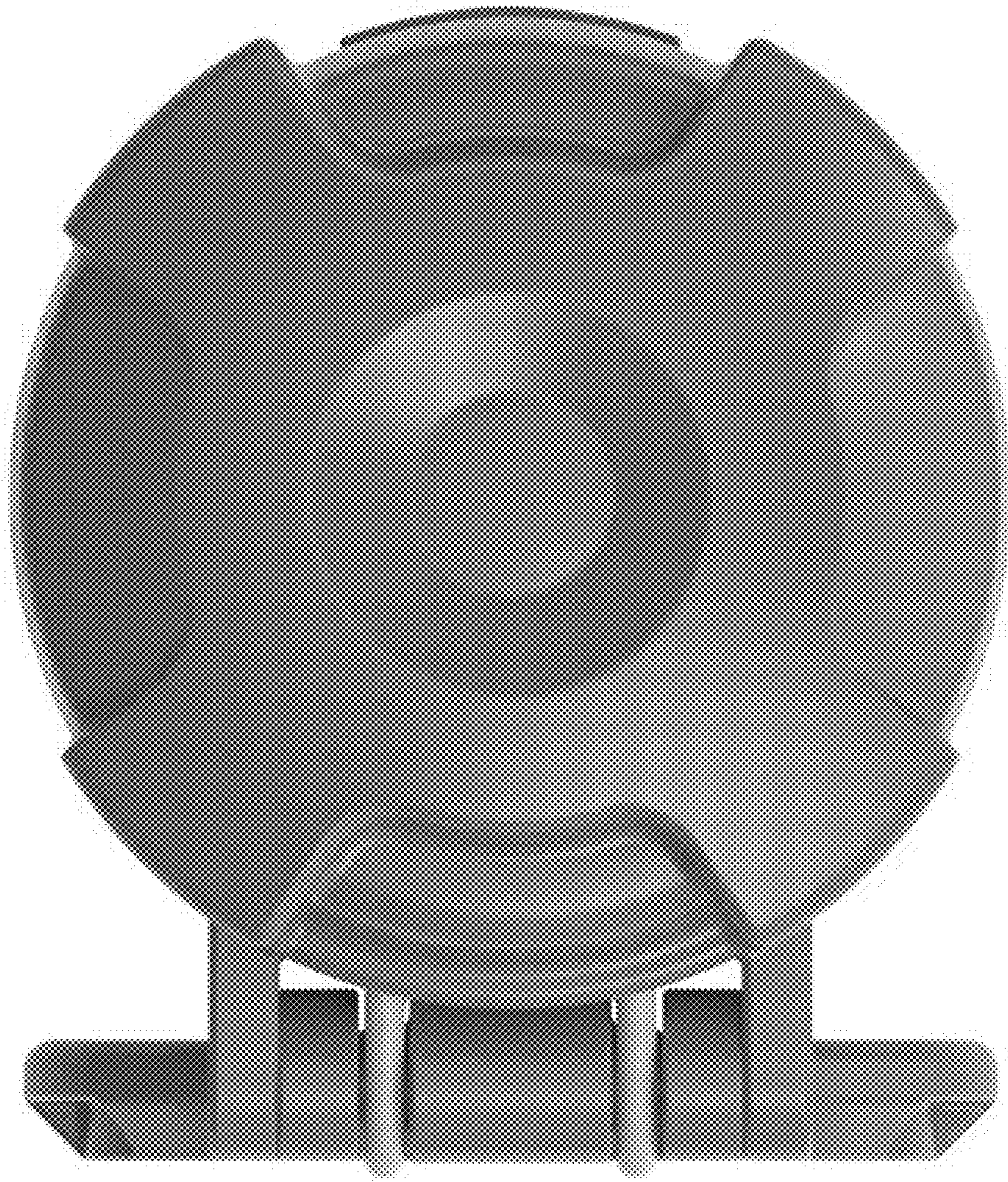


FIG. 5

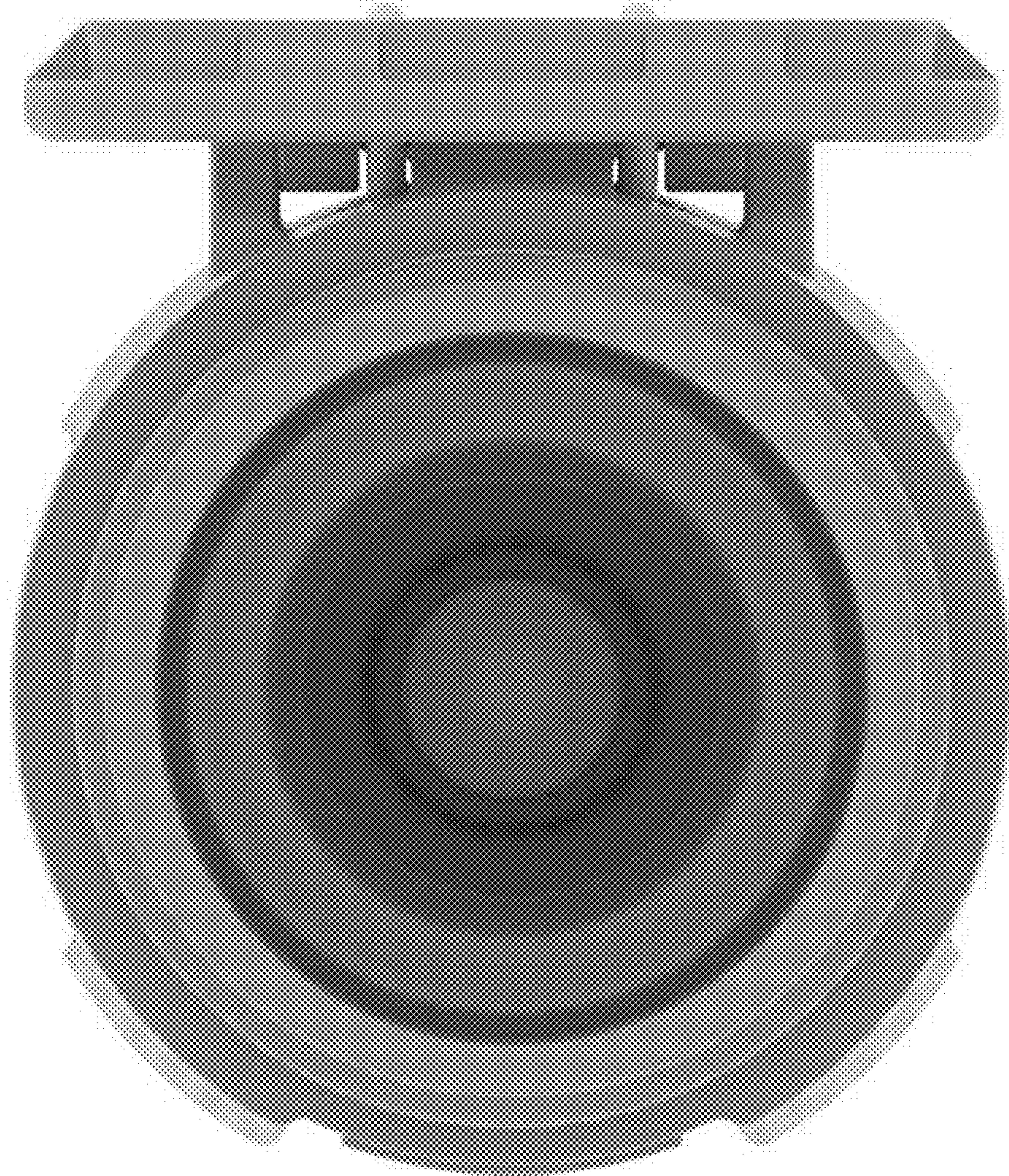


FIG. 6



FIG. 7



FIG. 8



FIG. 9

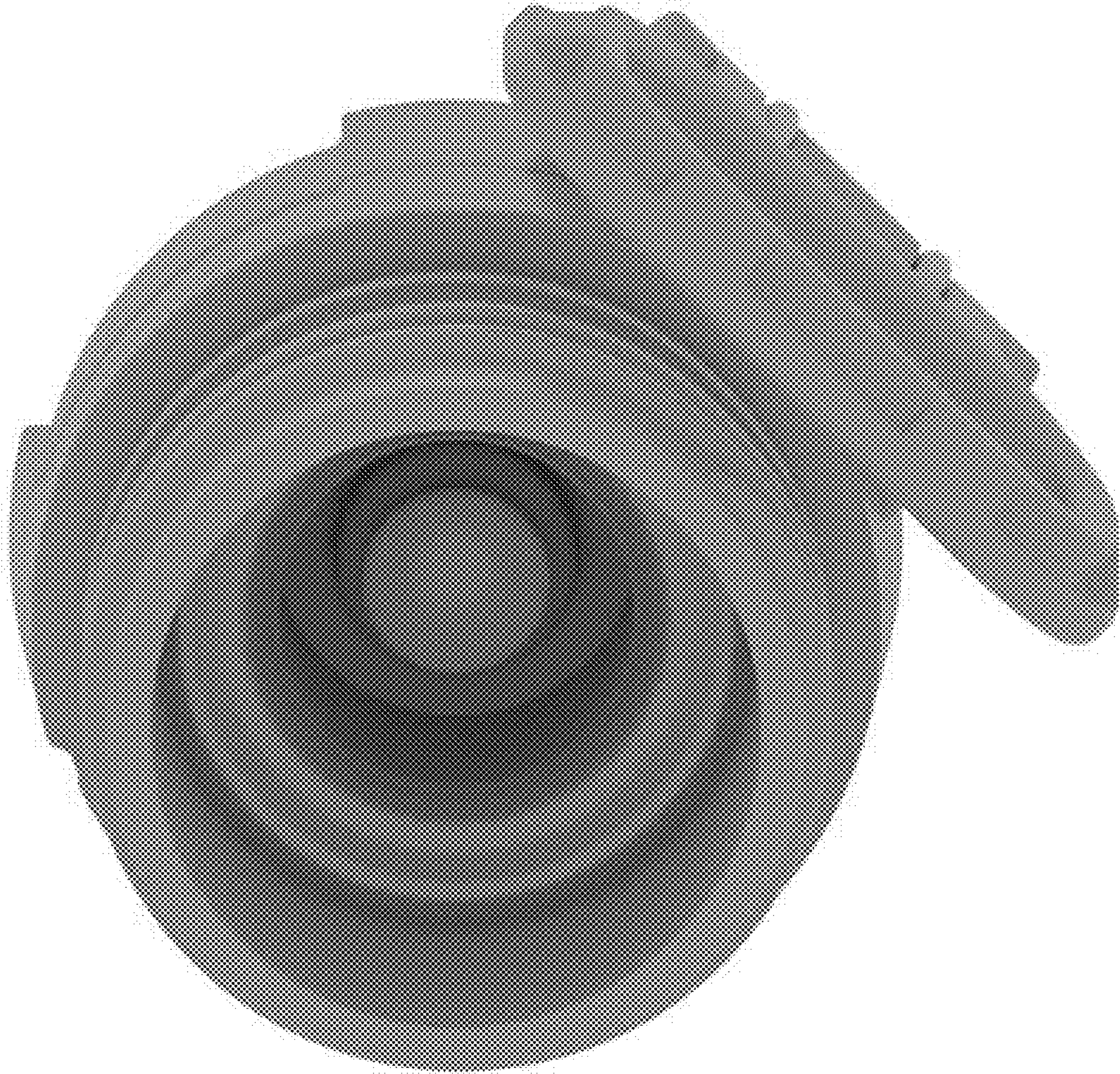


FIG. 10