



US00D917953S

(12) **United States Design Patent** (10) **Patent No.:** **US D917,953 S**
Yao (45) **Date of Patent:** **** May 4, 2021**

(54) **BOTTLE LID**

(71) Applicant: **EVERICH AND TOMIC HOUSEWARES CO., LTD.**, Zhejiang (CN)

(72) Inventor: **Huajun Yao**, Zhejiang (CN)

(73) Assignee: **EVERICH AND TOMIC HOUSEWARES CO., LTD.**, Zhejiang (CN)

(**) Term: **15 Years**

(21) Appl. No.: **29/706,206**

(22) Filed: **Sep. 18, 2019**

(30) **Foreign Application Priority Data**

Mar. 20, 2019 (CN) 201930115728.2

(51) **LOC (13) Cl.** **07-99**

(52) **U.S. Cl.**
USPC **D7/392; D9/516**

(58) **Field of Classification Search**
USPC D9/434, 435, 439, 440, 442-450, D9/452-457, 499, 503-505, 516, 686; D7/396.2, 507, 509-511, 538, 900, 392, D7/392.1; D3/202, 294, 318; D23/213, D23/223
CPC A47G 19/2272; B65D 2543/00046
See application file for complete search history.

(56) **References Cited**

U.S. PATENT DOCUMENTS

D686,448 S *	7/2013	Boroski	D7/392.1
8,668,106 B1 *	3/2014	Joy	B65D 47/305 220/254.3
D812,966 S *	3/2018	Murosky	D7/392.1
D872,524 S *	1/2020	Bo	D7/392.1
D886,517 S *	6/2020	Bo	D7/392.1
D900,538 S *	11/2020	Yao	D7/392.1
D900,539 S *	11/2020	Yao	D7/392.1
D906,042 S *	12/2020	Chen	D7/392.1

* cited by examiner

Primary Examiner — Karen S Acker

Assistant Examiner — Steven B Reinholdt, Jr.

(74) *Attorney, Agent, or Firm* — Global IP Services; Tianhua Gu

(57) **CLAIM**

The ornamental design for a bottle lid, as shown and described.

DESCRIPTION

FIG. 1 is a front elevational view of a bottle lid, showing my new design;

FIG. 2 is a rear elevational view thereof;

FIG. 3 is a top plan view thereof;

FIG. 4 is a bottom plan view thereof;

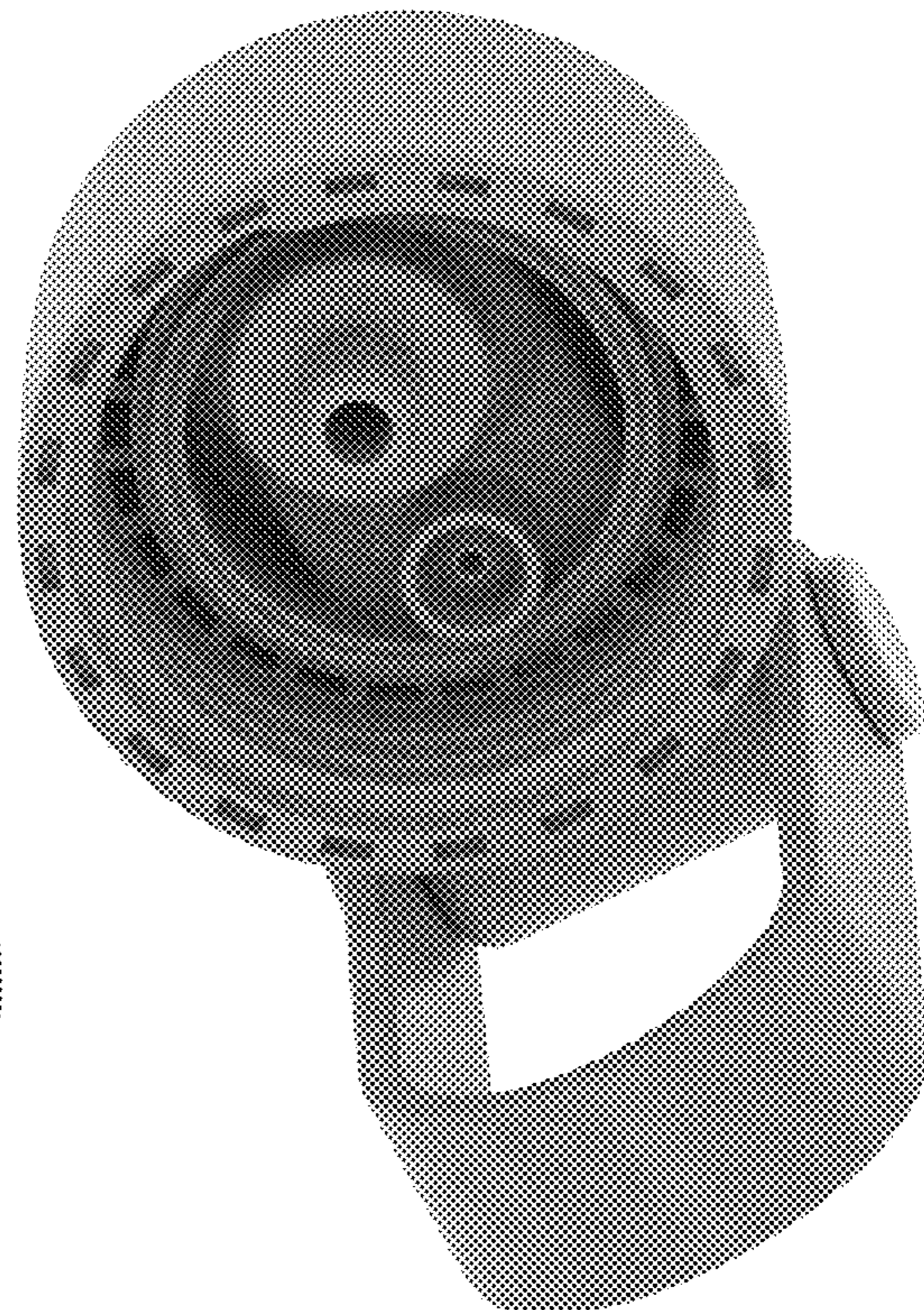
FIG. 5 is a left side elevational view thereof;

FIG. 6 is a right side elevational view thereof;

FIG. 7 is a top perspective view thereof; and,

FIG. 8 is a bottom perspective view thereof.

1 Claim, 8 Drawing Sheets



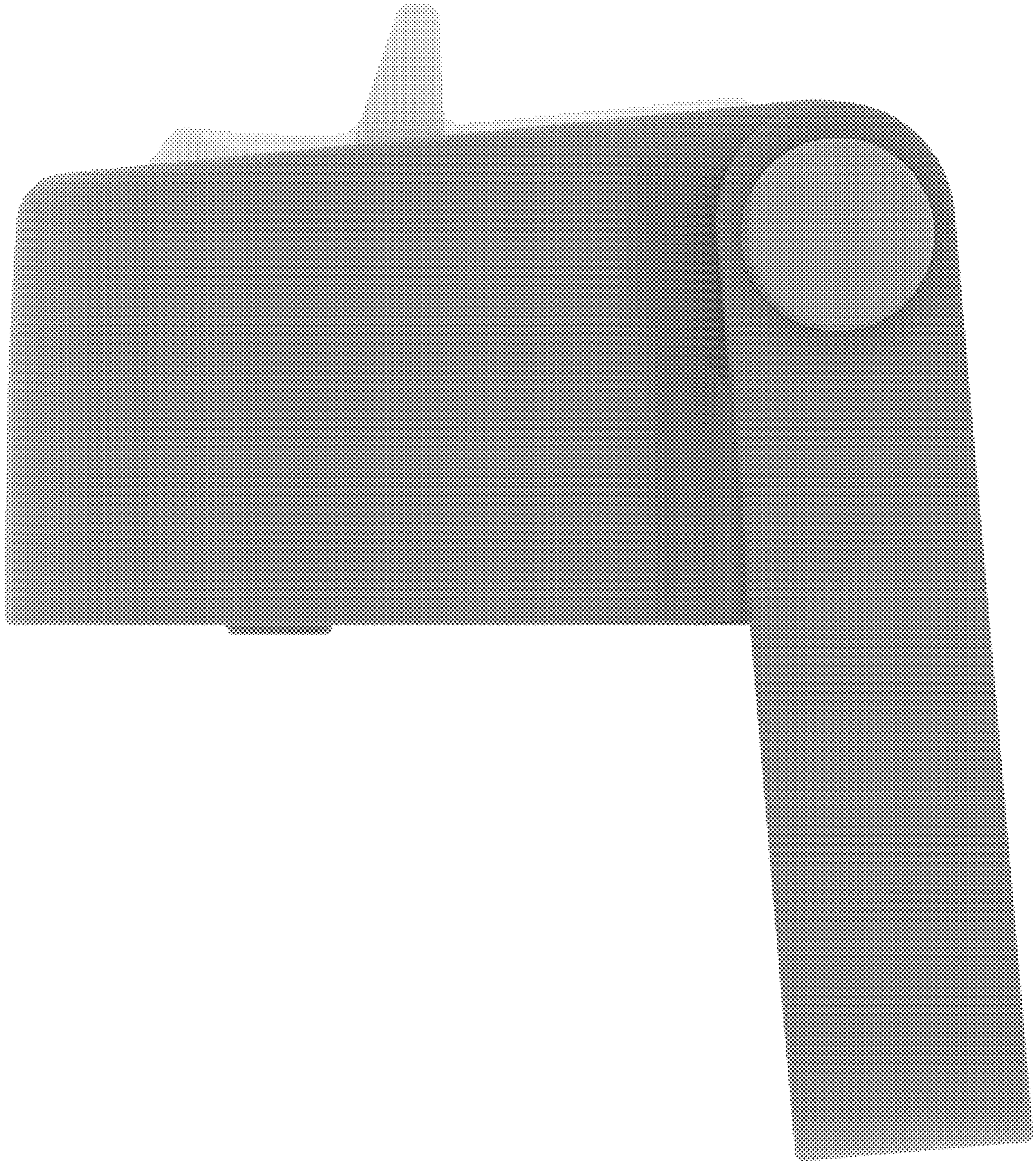


FIG. 1

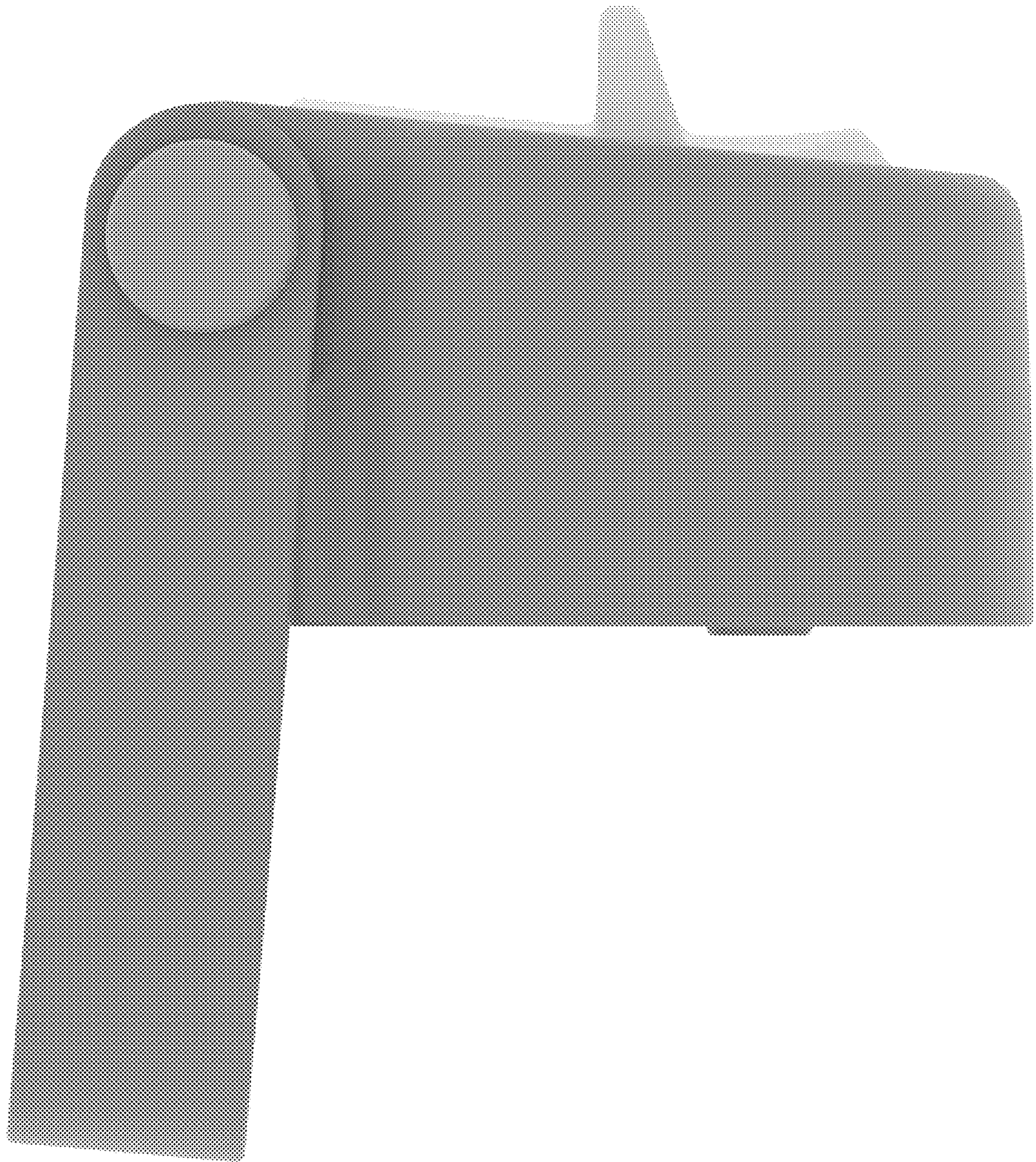


FIG. 2

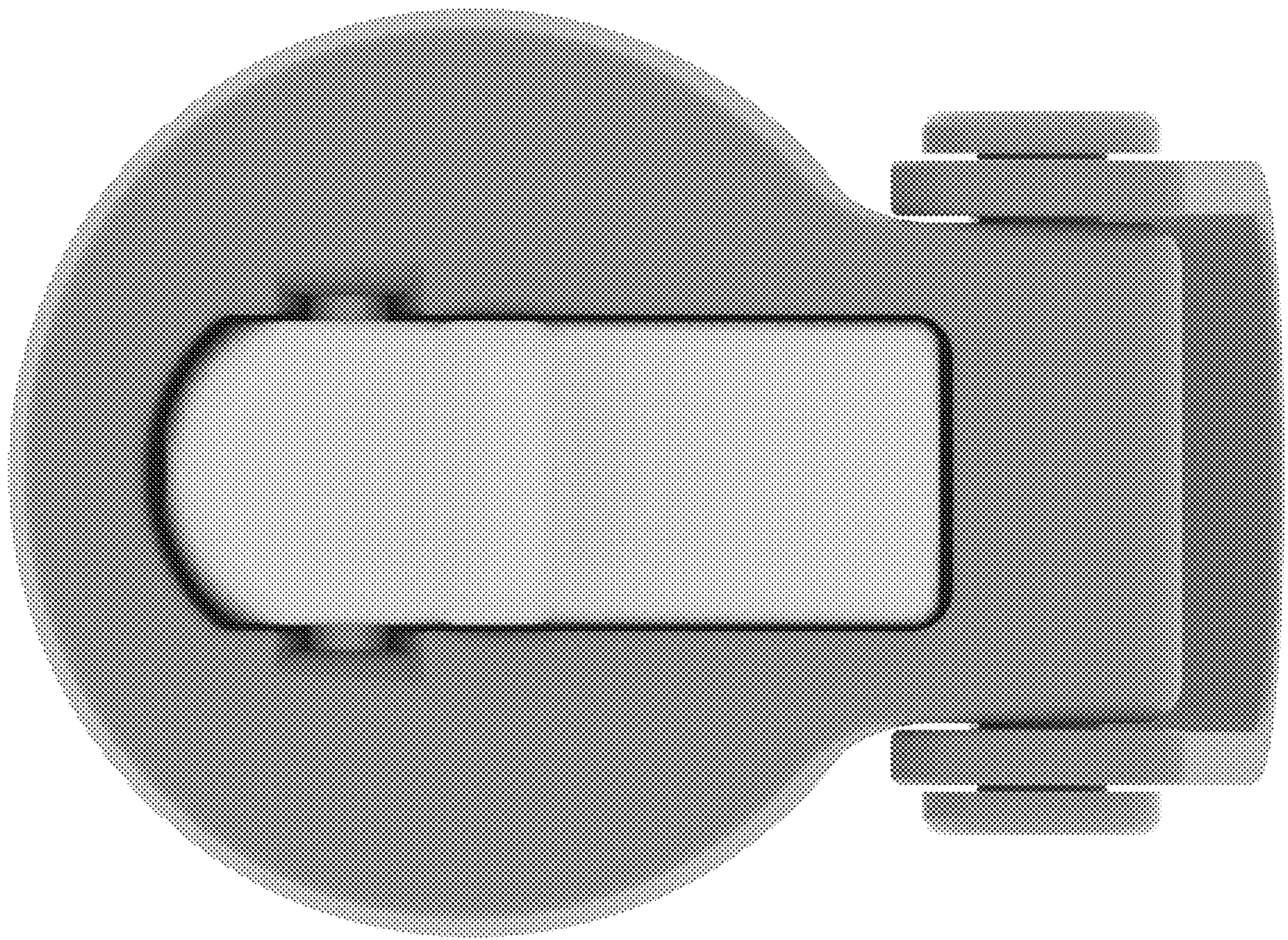


FIG. 3

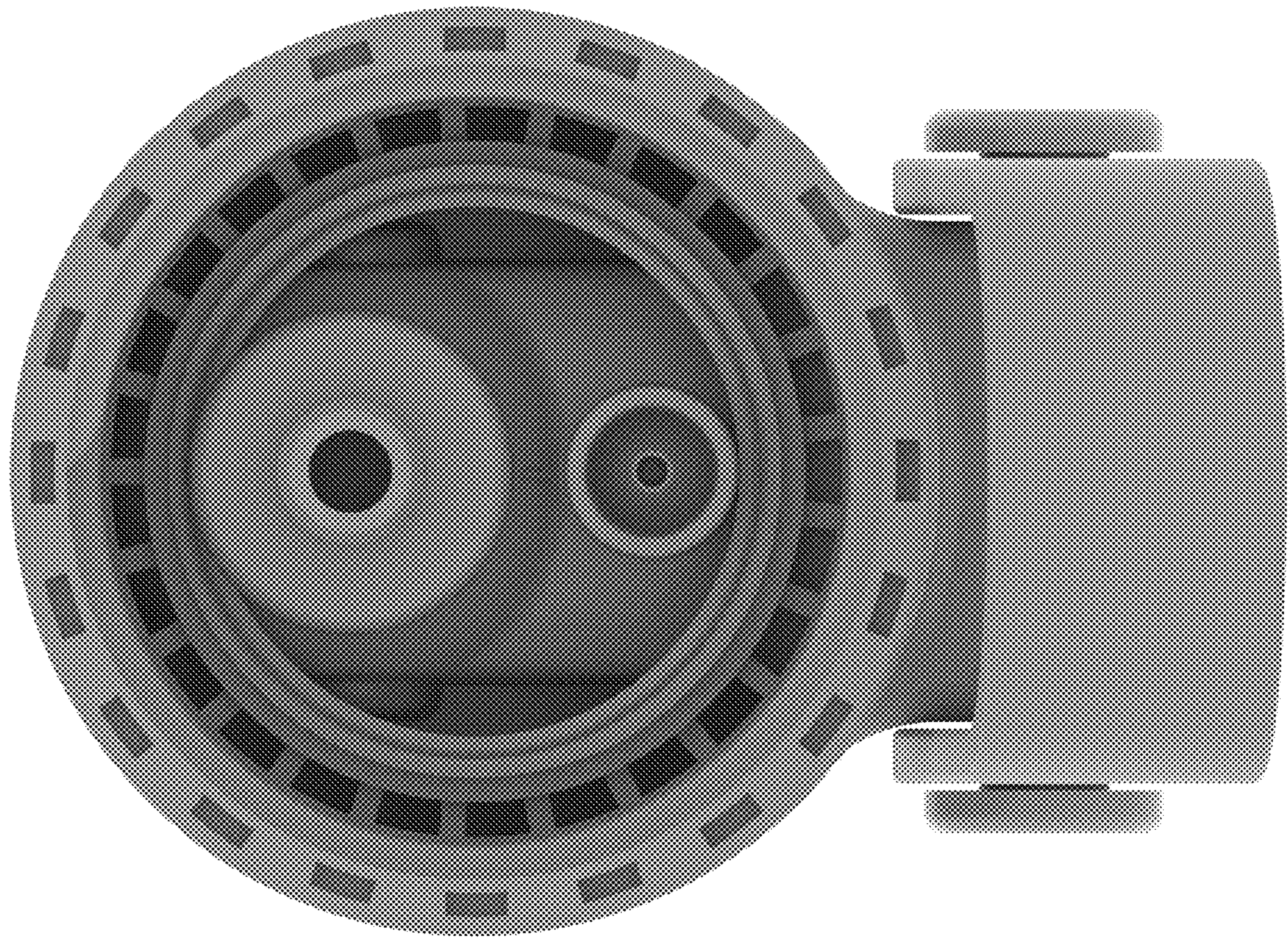


FIG. 4

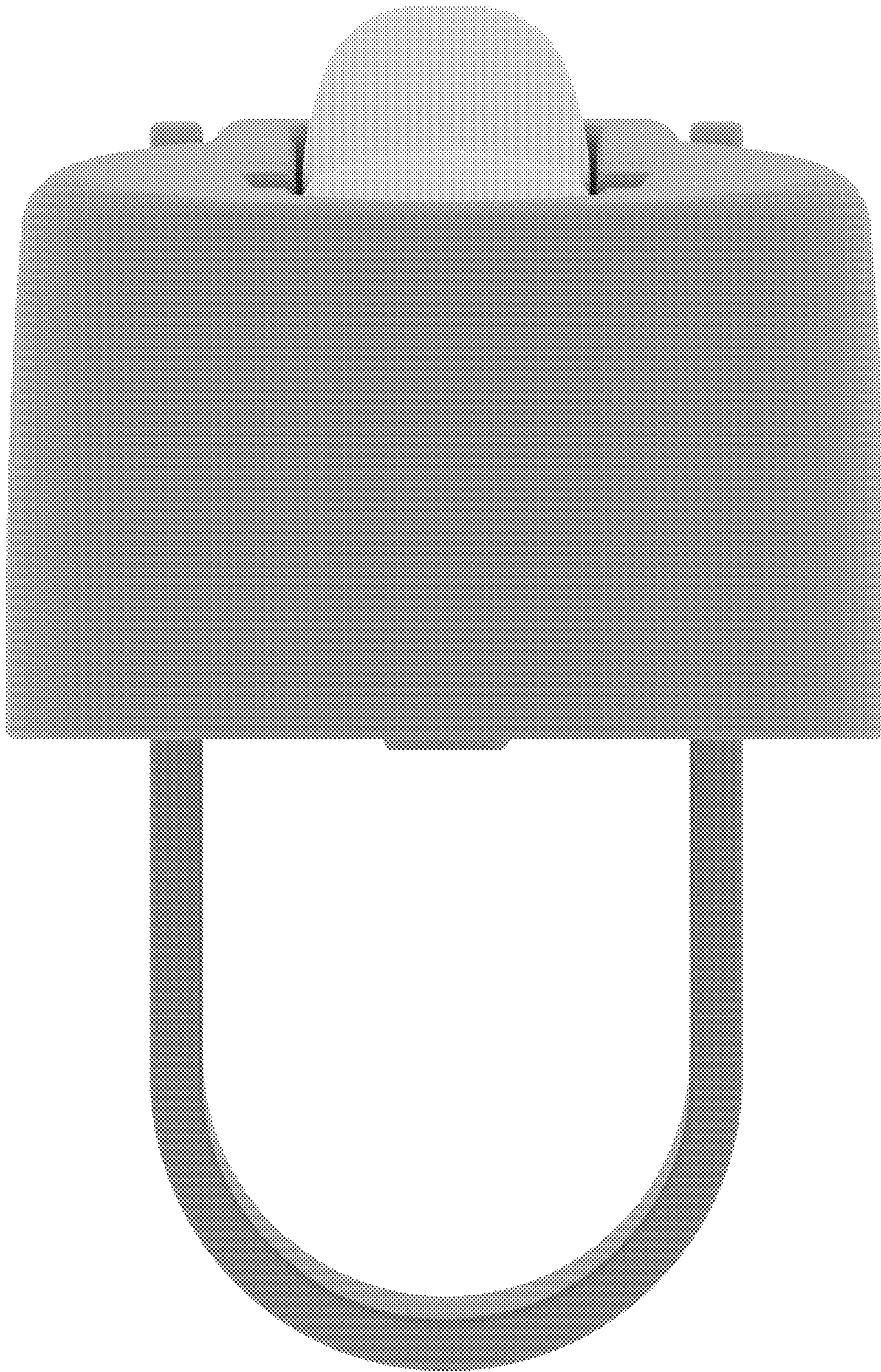


FIG. 5

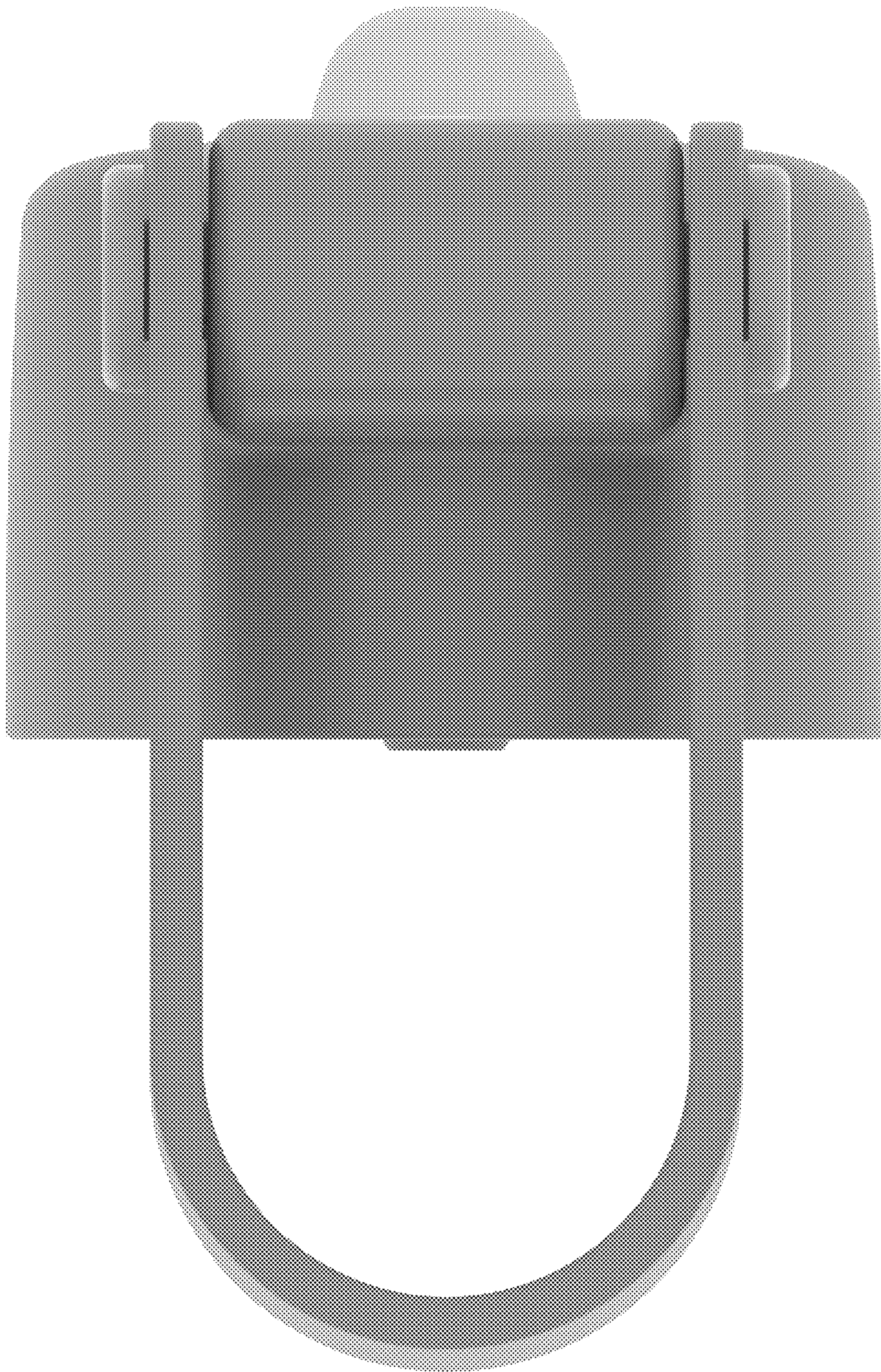


FIG. 6



FIG. 7

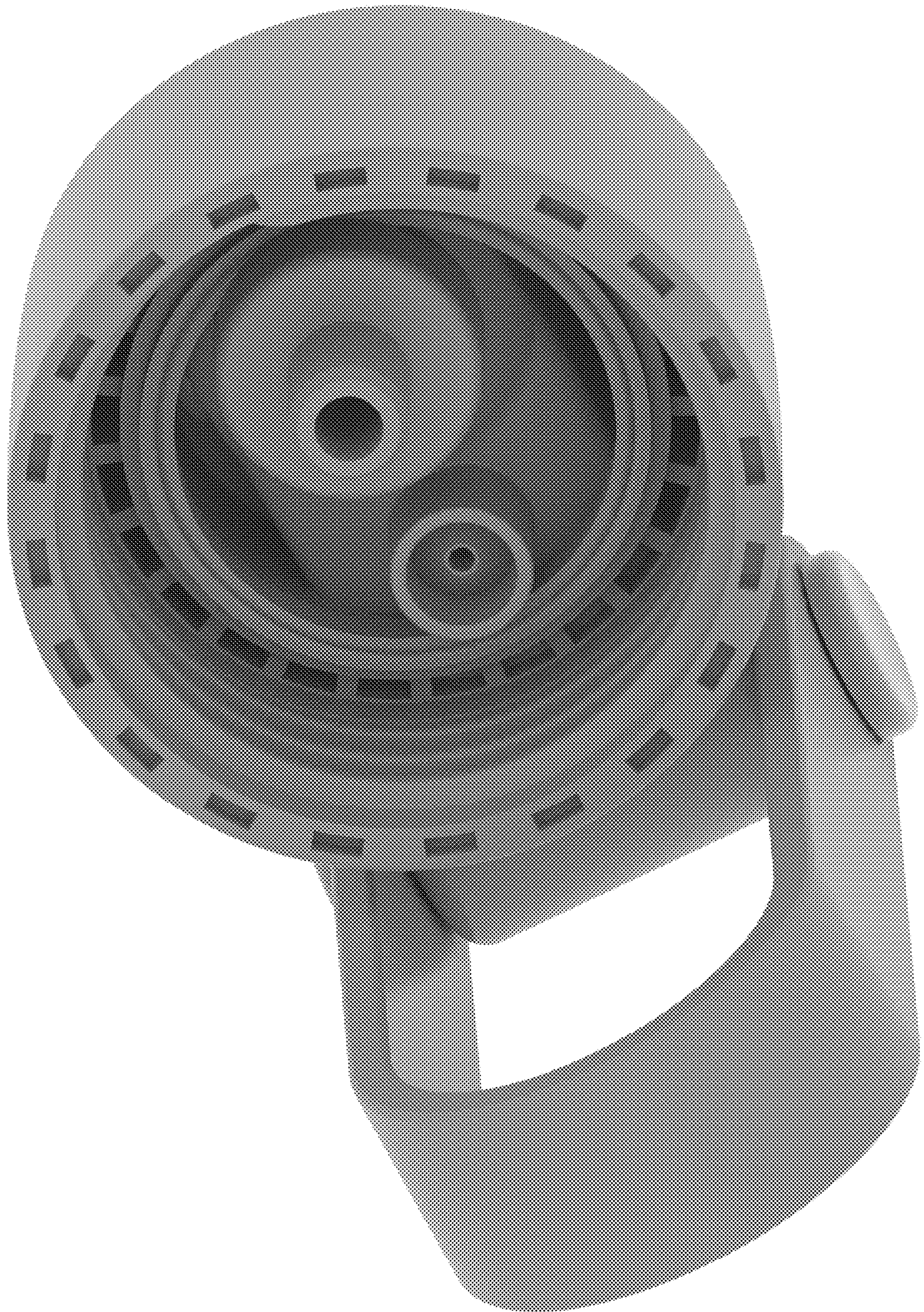


FIG. 8